

Omnia



*The best option
in the market*



FORMENTI &
GIOVENZANA

Formenti & Giovenzana provides functional solutions for furniture to meet the real needs of a large number of customers.

All products are conceived and supplied with care and quality and are offered to the market at a competitive price.

In this way, Formenti & Giovenzana contributes globally to increase the satisfaction of the customers buying furniture, giving access to pleasing features and improving the quality of life of the consumers.





Omnia

The best option in the market

SlowMotion technology inside

Improved modern design

Strength and high performances

Easy click fixing system

The Omnia hinge, from old latin language: *omnĭa*, *omnĭum*. represents the perfect synthesis of all the best features.

All the best as concern the technical know-how.

All the must-have features for a premium hinge.

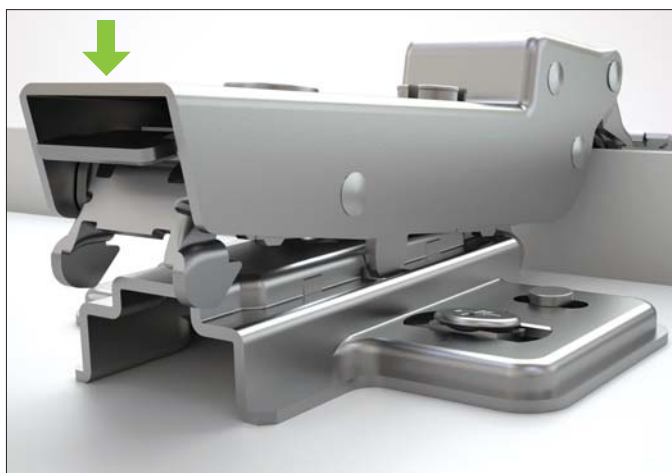
All the FGV experience developed in 70 years on the Market.

All that a Customer can get from an hinge.

Omnia is really the best option in the market!

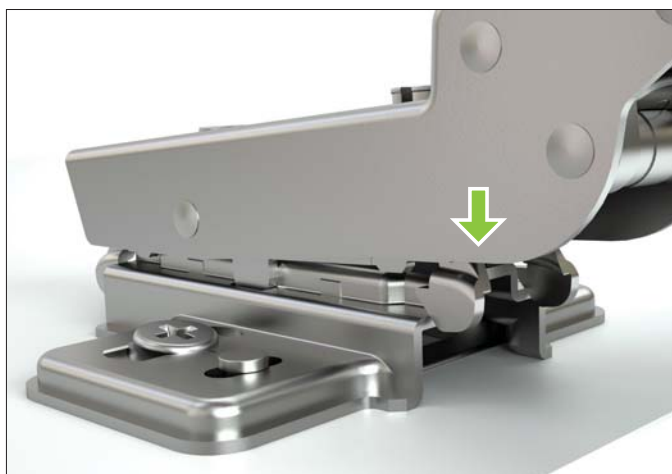
Omnia hinge range

The Omnia SlowMotion hinge is the top product of the FGV offer. The hinge is ready to meet all the market requests with a full range of solutions and applications. Entirely produced in Italy it boosts all the best features and performances.



Never so easy to hang a door!

No limits to door dimensions and to hinge numbers. AnyClickSystem is an intelligent and practical solution to fit hinges in any position without any stress. A really fantastic simplification for the wardrobe doors.



All the benefits from the Rotational SlowMotion

Rotational SlowMotionTecnology system for a perfect damped closure of the door without rebound assuring a smooth movement in every condition. A "state of the art" solution developed through seventy years of market presence.

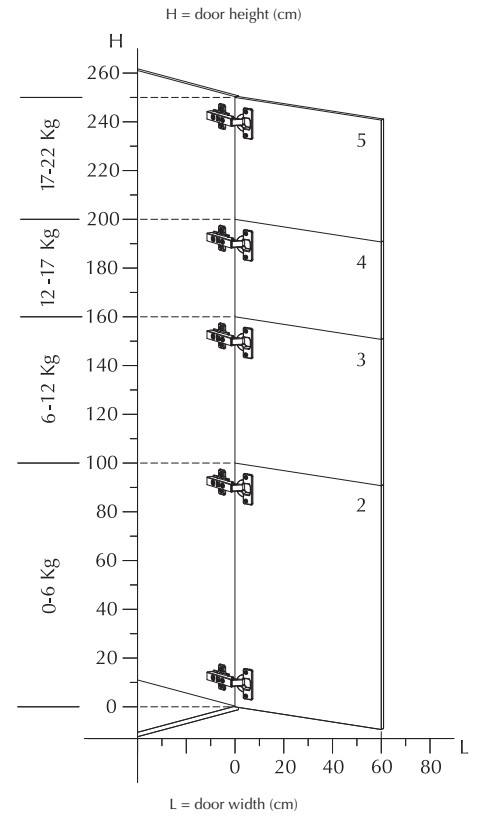


A technology to cover every application

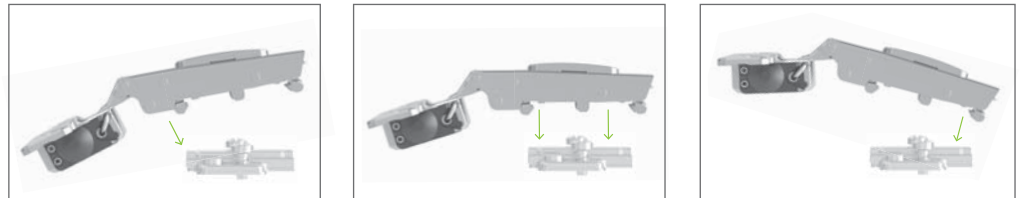
Full range of cranks and angle solutions; full choice of fixing systems, included the Velofix version. Range of reversible mounting plates with 3D independent adjustment: fast, simple, precise and intuitive.



Omnia

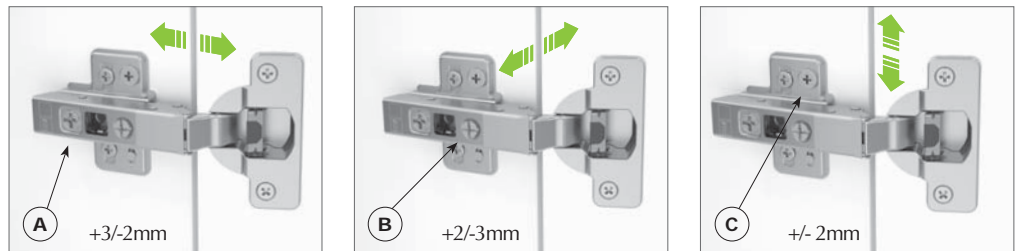


AnyClickSystem



For an easy and quick fitting in any position.

Adjusting System



Depth adjustment
Acting on the "A" screw it is possible to adjust the distance between the side of the cabinet and the door.

Independent side adjustment
Acting on the "B" screw it is possible to change the amount of the door covering on the side of the cabinet.

Vertical adjustment
Acting on the "C" screw of the mounting plate it is possible to adjust the door vertically.

INDEX

**OPENING
110°**



Product detail

p. 10-11

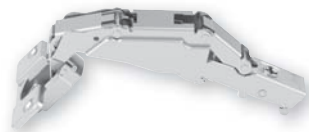
**FOR CORNER
DOORS
110°**



Product detail

p. 12-13

**OPENING
160°**



Product detail

p. 14-15

**FOR CORNER
CABINET
90°**



Product detail

p. 16-17

**FOR DOOR WITH
ALUMINIUM FRAME
95°**



Product detail

p. 18-19

Omnia 110°



Technical specifications:

- Depth of the metal cup 12.4mm
- Cup diameter 35mm
- Opening 110° with (K) max 5mm and (T) max 23mm
- Possibility of door drilling (K) from 3 to 7 mm
- Thickness of the door (T) from 16 to 26 mm

CRANK 0

CRANK 8

CRANK 15



I
A
D

51.RSH5.05.00.OX
51.RSH5.05.00.CX
51.RSH5.05.00.BX

51.RSH5.05.08.OX
51.RSH5.05.08.CX
51.RSH5.05.08.BX

51.RSH5.05.15.OX
51.RSH5.05.15.CX
51.RSH5.05.15.BX

Available with premounted selftapping screw



I
A
D

51.RSH6.05.00.MX
51.RSH6.05.00.NX
51.RSH6.05.00.EX

51.RSH6.05.08.MX
51.RSH6.05.08.NX
51.RSH6.05.08.EX

51.RSH6.05.15.MX
51.RSH6.05.15.NX
51.RSH6.05.15.EX



I
A
D

51.RSH6.05.00.OX
51.RSH6.05.00.SX
51.RSH6.05.00.BX

51.RSH6.05.08.OX
51.RSH6.05.08.SX
51.RSH6.05.08.BX

51.RSH6.05.15.OX
51.RSH6.05.15.SX
51.RSH6.05.15.BX

0, B = dowels Ø10mm / S = dowels Ø8mm



I
A
D

51.RSH8.05.00.VX
51.RSH8.05.00.SX
51.RSH8.05.00.ZX

51.RSH8.05.08.VX
51.RSH8.05.08.SX
51.RSH8.05.08.ZX

51.RSH8.05.15.VX
51.RSH8.05.15.SX
51.RSH8.05.15.ZX

V, Z = dowels Ø10mm / S = dowels Ø8mm



I
A
D

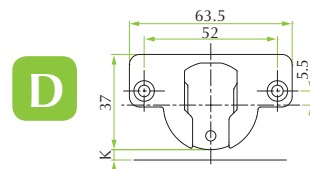
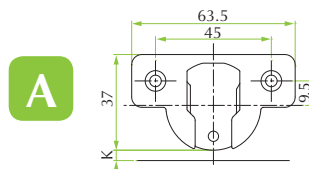
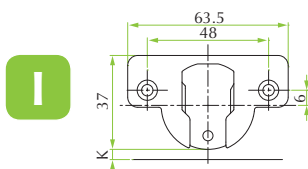
51.RSH9.05.00.OX
51.RSH9.05.00.SX
51.RSH9.05.00.BX

51.RSH9.05.08.OX
51.RSH9.05.08.SX
51.RSH9.05.08.BX

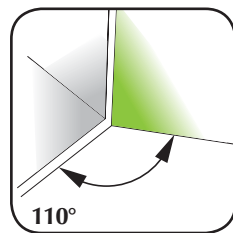
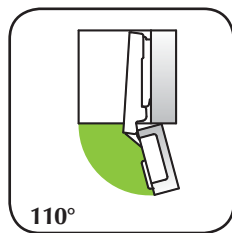
51.RSH9.05.15.OX
51.RSH9.05.15.SX
51.RSH9.05.15.BX

0, B = dowels Ø10mm / S = dowels Ø8mm

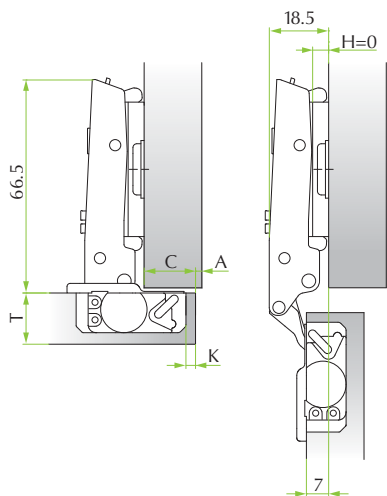
Versions not damped available for all applications in the above table.
Code with 0 in 12th position (ex: 51.RSH5.05.00.00).



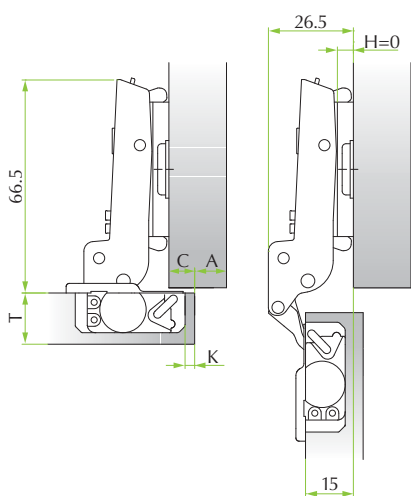
The mounting plates and fittings for this hinge series are shown from page 20 to page 25.



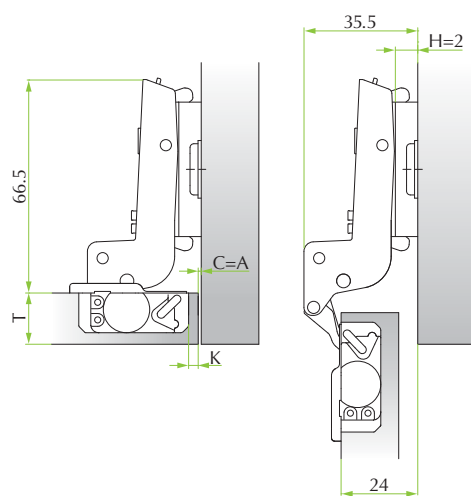
CRANK 0
For lay-on doors



CRANK 8
For partial lay-on doors



CRANK 15
For inset doors



		Drilling distance (K)						
		3	4	5	6	7		
Overlay (C)	19				0			
	18			0		2		
	17		0		2			
	16	0		2		4		
	15		2		4			
	14	2		4		6		
	13		4		6			
	12	4		6				
	11		6					
10	6							
								Mounting plates (H)

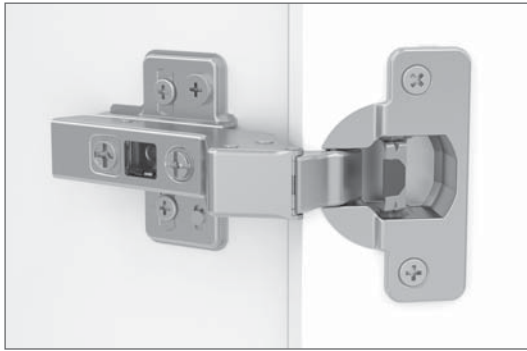
		Drilling distance (K)						
		3	4	5	6	7		
Overlay (C)	11				0			
	10			0		2		
	9		0		2			
	8	0		2		4		
	7		2		4			
	6	2		4		6		
	5		4		6			
	4	4		6				
	3		6					
2	6							
								Mounting plates (H)

		Drilling distance (K)						
		3	4	5	6	7		
Overlay (C)	1	0		2		4		
	0		2		4			
	-1	2		4		6		
	-2		4		6			
	-3	4		6				
	-4		6					
	-5	6						
								Mounting plates (H)

Table to determine the minimum distance A so that a door with T thickness can open without protrusion from the cabinet and without interfering with adjacent doors.

	T=	16	17	18	19	20	21	22	23	24	25	26
K=3	A=	0.5	0.7	0.8	1.1	1.3	1.6	1.9	2.4	3.0	3.8	4.7
K=4	A=	0.5	0.7	0.8	1.1	1.3	1.5	1.8	2.2	2.6	3.4	4.2
K=5	A=	0.5	0.7	0.8	1.1	1.2	1.5	1.8	2.2	2.5	3.1	3.8
K=6	A=	0.5	0.7	0.8	1.0	1.2	1.4	1.7	2.1	2.4	2.9	3.5
K=7	A=	0.5	0.7	0.8	1.0	1.2	1.4	1.7	2.0	2.3	2.7	3.2

Omnia 110° for corner doors



Technical specifications:

- Depth of the metal cup 12.4mm
- Cup diameter 35mm
- Opening 110°
- Possibility of door drilling (K) from 3 to 7 mm
- Thickness of the door (T) from 16 to 26 mm

ANGLE 24°±30°



ANGLE 45°



ANGLE 90°



I
A
D

51.RH85.05.30.OX
51.RH85.05.30.CX
51.RH85.05.30.BX

51.RH85.05.45.OX
51.RH85.05.45.CX
51.RH85.05.45.BX

51.RH85.05.90.OX
51.RH85.05.90.CX
51.RH85.05.90.BX

Available with premounted selftapping screw



I
A
D

51.RH86.05.30.MX
51.RH86.05.30.NX
51.RH86.05.30.EX

51.RH86.05.45.MX
51.RH86.05.45.NX
51.RH86.05.45.EX

51.RH86.05.90.MX
51.RH86.05.90.NX
51.RH86.05.90.EX



I
A
D

51.RH86.05.30.OX
51.RH86.05.30.SX
51.RH86.05.30.BX

51.RH86.05.45.OX
51.RH86.05.45.SX
51.RH86.05.45.BX

51.RH86.05.90.OX
51.RH86.05.90.SX
51.RH86.05.90.BX

0, B = dowels Ø10mm / S = dowels Ø8mm



I
A
D

51.RH88.05.30.VX
51.RH88.05.30.SX
51.RH88.05.30.ZX

51.RH88.05.45.VX
51.RH88.05.45.SX
51.RH88.05.45.ZX

51.RH88.05.90.VX
51.RH88.05.90.SX
51.RH88.05.90.ZX

V, Z = dowels Ø10mm / S = dowels Ø8mm



I
A
D

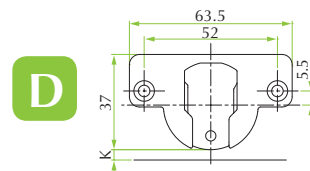
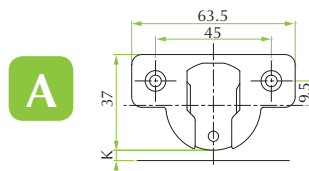
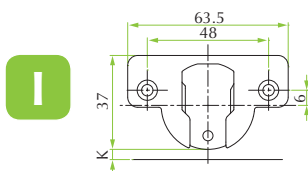
51.RH89.05.30.OX
51.RH89.05.30.SX
51.RH89.05.30.BX

51.RH89.05.45.OX
51.RH89.05.45.SX
51.RH89.05.45.BX

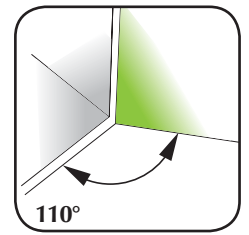
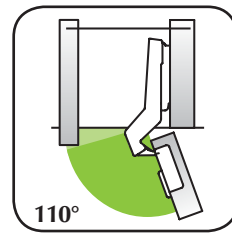
51.RH89.05.90.OX
51.RH89.05.90.SX
51.RH89.05.90.BX

0, B = dowels Ø10mm / S = dowels Ø8mm

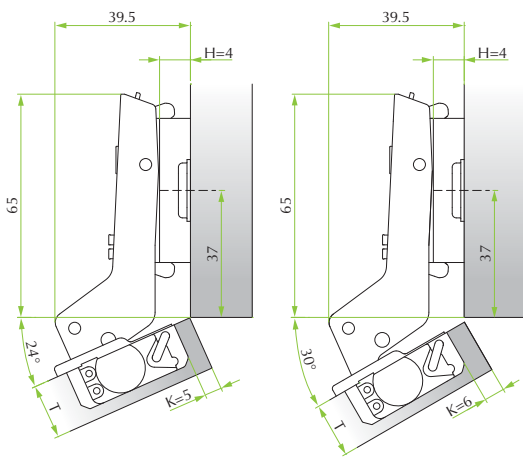
Versions not damped available for all applications in the above table.
Code with 0 in 12th position (ex: 51.RH85.05.30.00).



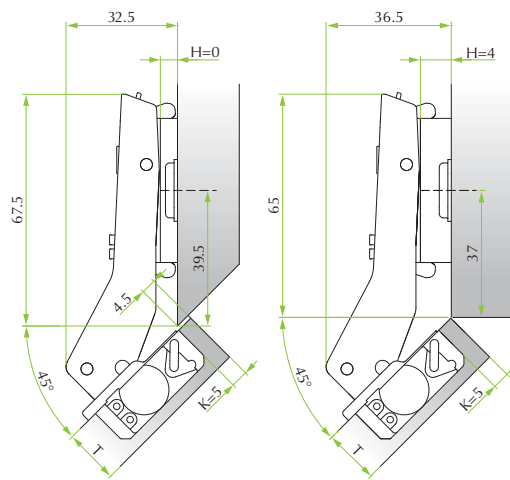
The mounting plates and fittings for this hinge series are shown from page 20 to page 25.



ANGLE 24°÷30°



ANGLE 45°



ANGLE 90°

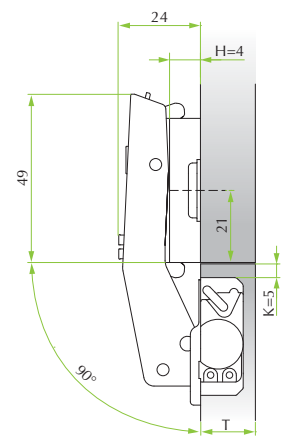
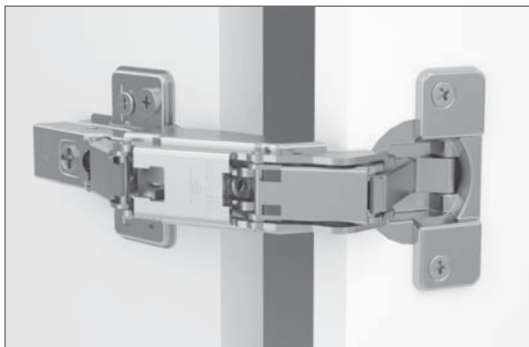


Table to determinate the minimum distance **A** so that a door with **T** thickness can open without protrusion from the cabinet and without interfering with adjacent doors.

	T=	16	17	18	19	20	21	22	23	24	25	26
K=3	A=	0.5	0.7	0.8	1.1	1.3	1.6	1.9	2.4	3.0	3.8	4.7
K=4	A=	0.5	0.7	0.8	1.1	1.3	1.5	1.8	2.2	2.6	3.4	4.2
K=5	A=	0.5	0.7	0.8	1.1	1.2	1.5	1.8	2.2	2.5	3.1	3.8
K=6	A=	0.5	0.7	0.8	1.0	1.2	1.4	1.7	2.1	2.4	2.9	3.5
K=7	A=	0.5	0.7	0.8	1.0	1.2	1.4	1.7	2.0	2.3	2.7	3.2

Omnia 160°

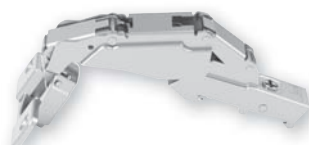
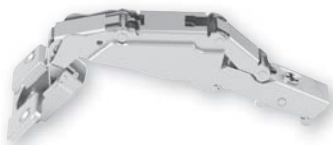


Technical specifications:

- Depth of the metal cup 11.3mm
- Cup diameter 35mm
- Opening 160°
- Possibility of door drilling (K) from 3 to 7 mm
- Thickness of the door (T) from 16 to 26 mm
- SlowMotion Delta add-on damper solutions

CRANK 0

CRANK 8



I
A
D

51.RWH5.M5.00.00
51.RWH5.M5.00.CO
51.RWH5.M5.00.B0

51.RWH5.M5.08.00
51.RWH5.M5.08.CO
51.RWH5.M5.08.B0

_____ Available with premounted selftapping screw _____



I
A
D

51.RWH6.M5.00.M0
51.RWH6.M5.00.N0
51.RWH6.M5.00.E0

51.RWH6.M5.08.M0
51.RWH6.M5.08.N0
51.RWH6.M5.08.E0



I
A
D

51.RWH6.M5.00.00
51.RWH6.M5.00.S0
51.RWH6.M5.00.B0

51.RWH6.05.08.00
51.RWH6.05.08.S0
51.RWH6.05.08.B0

_____ 0, B = dowels Ø10mm / S = dowels Ø8mm _____



I
A
D

51.RWH8.M5.00.V0
51.RWH8.M5.00.S0
51.RWH8.M5.00.Z0

51.RWH8.M5.08.V0
51.RWH8.M5.08.S0
51.RWH8.M5.08.Z0

_____ V, Z = dowels Ø10mm / S = dowels Ø8mm _____

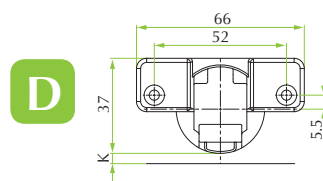
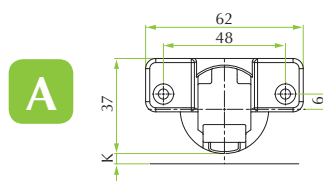
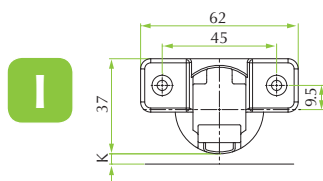


I
A
D

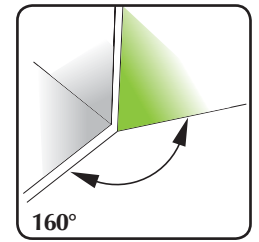
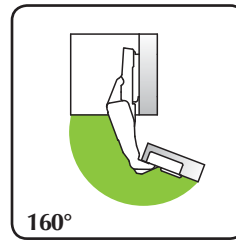
51.RWH9.M5.00.00
51.RWH9.M5.00.S0
51.RWH9.M5.00.B0

51.RWH9.M5.08.00
51.RWH9.M5.08.S0
51.RWH9.M5.08.B0

_____ 0, B = dowels Ø10mm / S = dowels Ø8mm _____

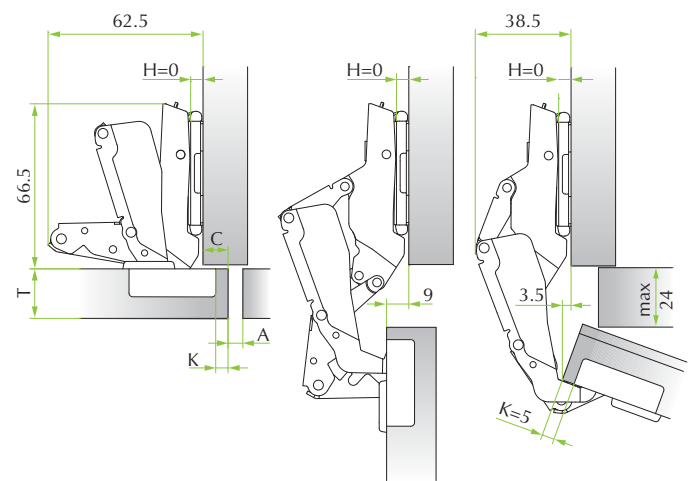
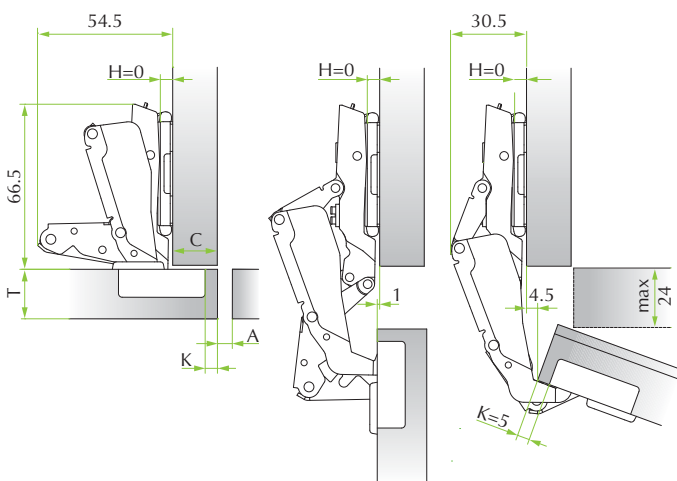


The mounting plates and fittings for this hinge series are shown from page 20 to page 25.



CRANK 0
For lay-on doors

CRANK 8
For partial lay-on doors



		Drilling distance (K)						
		3	4	5	6	7		
Overlay (C)	20					0		
	19				0			
	18			0	2			
	17		0	2				
	16	0	2	4				
	15	2	4					
	14	4	6					
	13	6						
	12	8						
	11	10						
	10	12						
		Mounting plates (H)						

		Drilling distance (K)						
		3	4	5	6	7		
Overlay (C)	12					0		
	11				0			
	10			0	2			
	9		0	2				
	8	0	2	4				
	7	2	4					
	6	4	6					
	5	6						
	4	8						
	3	10						
	2	12						
		Mounting plates (H)						

Table to determinate the minimum distance **A** so that a door with **T** thickness can open without protrusion from the cabinet and without interfering with adjacent doors.

T=	16	17	18	19	20	21	22	23	24	25	26
K=3 A=	0	0	0	0	0	0	0	2	6.5	8.5	13
K=4 A=	0	0	0	0	0	0.1	0.3	3.7	6	7.5	12
K=5 A=	0	0	0	0	0	0.2	0.4	3.7	5	6.5	11
K=6 A=	0	0	0	0	0	0.3	0.6	3	4.5	5.5	10
K=7 A=	0	0	0	0	0	0.5	1	2.5	3.5	4.5	9

Omnia for corner cabinet 90°



Technical specifications:

- Depth of the metal cup 12.4mm
- Cup diameter 35mm
- Opening 20°
- Possibility of door drilling (K) from 3 to 7 mm
- Thickness of the door (T) from 16 to 26 mm



I
A
D

51.RH83.05.35.00

51.RH83.05.35.C0

51.RH83.05.35.B0

Available with premounted selftapping screw



I
A
D

51.RH84.05.35.M0

51.RH84.05.35.N0

51.RH84.05.35.E0

0, B = dowels Ø10mm / S = dowels Ø8mm



I
A
D

51.RH84.05.35.00

51.RH84.05.35.S0

51.RH84.05.35.B0



I
A
D

51.RH88.05.35.V0

51.RH88.05.35.S0

51.RH88.05.35.Z0

V, Z = dowels Ø10mm / S = dowels Ø8mm



I
A
D

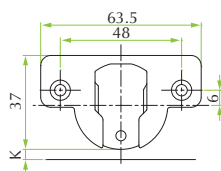
51.RH89.05.35.00

51.RH89.05.35.S0

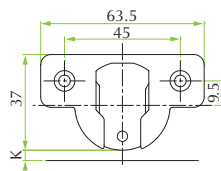
51.RH89.05.35.B0

0, B = dowels Ø10mm / S = dowels Ø8mm

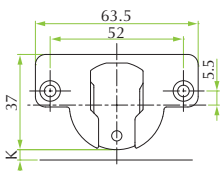
I



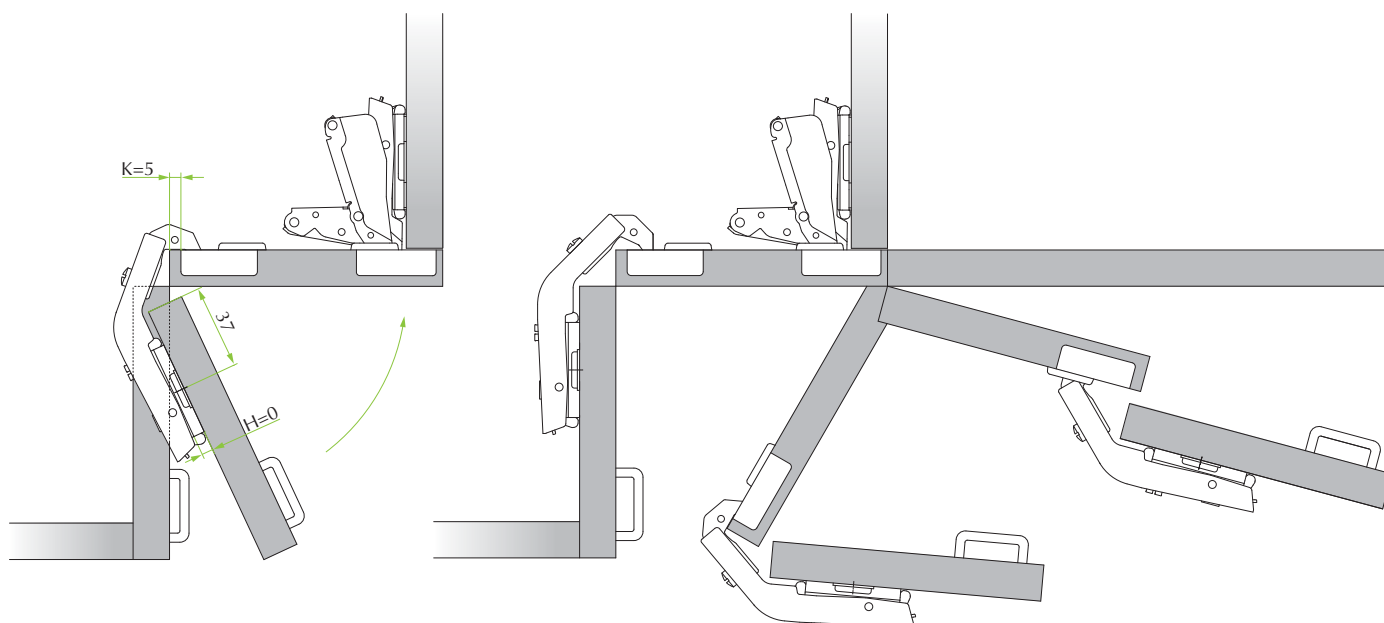
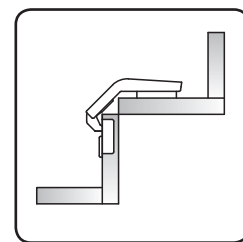
A



D



The mounting plates and fittings for this hinge series are shown from page 20 to page 25.



Omnia 95° for doors with aluminium frame



Technical specifications:

- Depth of the zamak cup 9.9mm
- Cup drilling 28x7mm
- Opening 95°
- Aluminium frame from min. 19 to max 25 mm
- OneTouch solutions

FIXING FOR GROOVED PROFILE

CRANK 0



51.RS91.05.00.00

CRANK 8



51.RS91.05.08.00

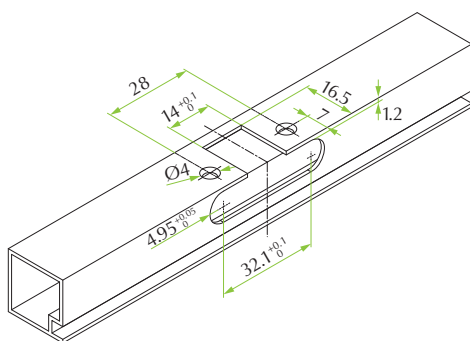
CRANK 15



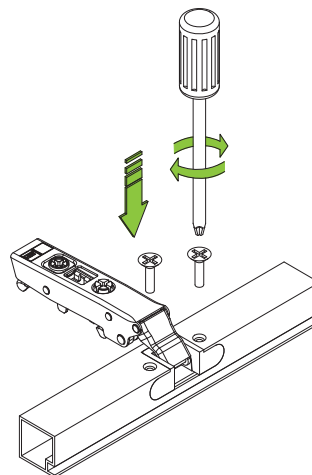
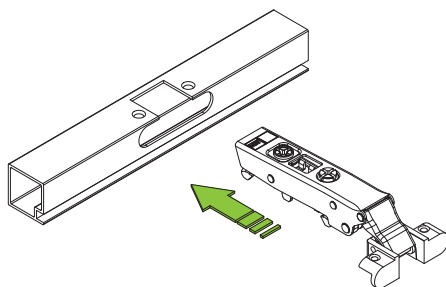
51.RS91.05.15.00

Drilling holes:

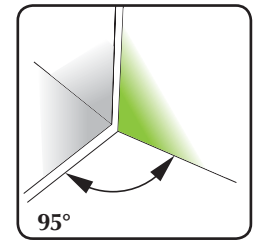
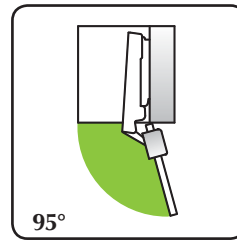
The two laterals drillings are $\varnothing 4$ mm and are countersunk with 120°. Screws $\varnothing 3.5 \times 12$ mm supplied on demand under code 1A05512105000.



Assembly instructions:

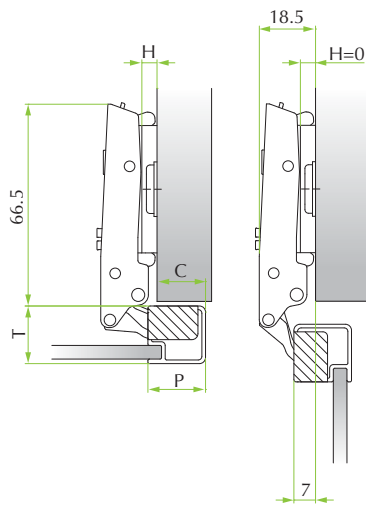


The mounting plates and fittings for this hinge series are shown from page 20 to page 25.



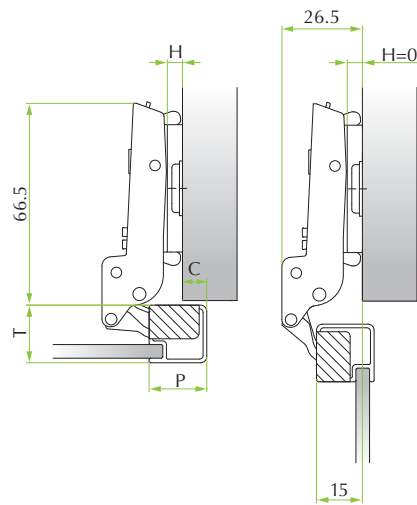
CRANK 0

For lay-on doors



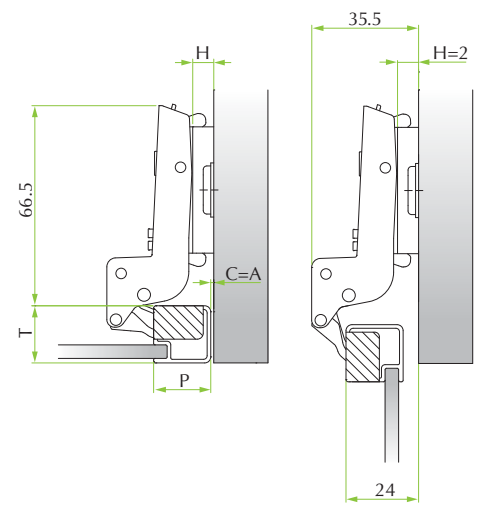
CRANK 8

For partial lay-on doors



CRANK 15

For inset doors



With P=19

16	0								
15									
14	2								
13									
12	4								
11									
10	6								

Mounting plates (H)

With P=19

8	0								
7									
6	2								
5									
4	4								
3									
2	6								

Mounting plates (H)

With P=19

-1	0								
0									
1	2								
2									
3	4								
4									
5	6								

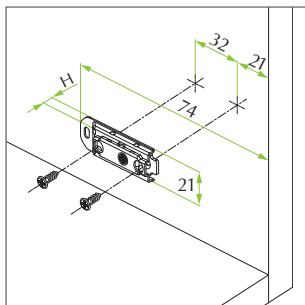
Mounting plates (H)

Table to determinate the minimum distance **A** so that a door with **T** thickness can open without protrusion from the cabinet and without interfering with adjacent doors.

	T=	19	20	21	22	23	24	25	26
P=19	A=	1.1	1.3	1.6	1.9	2.4	3.0	3.8	4.7
P=20	A=	1.1	1.3	1.5	1.8	2.2	2.6	3.4	4.2
P=21	A=	1.1	1.2	1.5	1.8	2.2	2.5	3.1	3.8
P=22	A=	1.0	1.2	1.4	1.7	2.1	2.5	2.9	3.5
P=23	A=	1.0	1.2	1.4	1.7	2.0	2.3	2.7	3.2
P=24	A=	0.9	1.1	1.3	1.6	1.9	2.2	2.5	2.9
P=25	A=	0.9	1.1	1.3	1.5	1.8	2.1	2.3	2.6

Metal linear mounting plate. Selftapping screw fixing 3.5x15mm. Independent vertical adjustment with CAM.
Screws are provided on demand (code 1A03050418000).

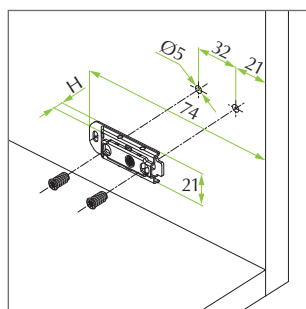
21



Height	Material	Code
H=0	Metal	52.LR01.M5.00.0
H=2	Metal	52.LR01.M5.02.0
H=4	Metal	52.LR01.M5.04.0
H=6	Metal	52.LR01.M5.06.0

Metal linear mounting plate. Euro screws premounted. Independent vertical adjustment with CAM.

21

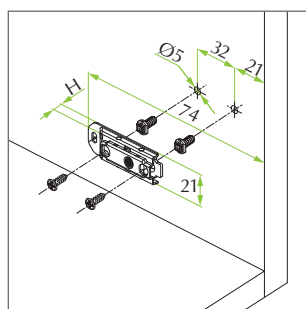


Height	Material	Code
H=0	Metal	52.LR16.M5.00.B
H=2	Metal	52.LR16.M5.02.B
H=4	Metal	52.LR16.M5.04.B
H=6	Metal	52.LR16.M5.06.B



Meta linear mouting plate. Fixing by expanding X-Pando dowels Ø5mm. Independent vertical adjustment with CAM.

21

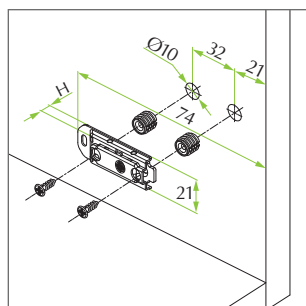


Height	Material	Code
H=0	Metal	52.LRN5.M5.00.*
H=2	Metal	52.LRN5.M5.02.*
H=4	Metal	52.LRN5.M5.04.*
H=6	Metal	52.LRN5.M5.06.*

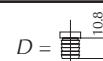


Metal linear mounting plate. Knock-in fixing with dowels Ø10mm. Independent vertical adjustment with CAM.

21

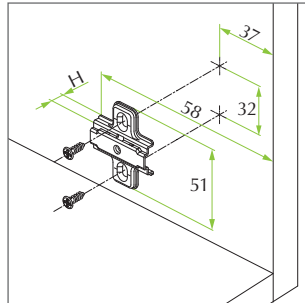


Height	Material	Code
H=0	Metal	52.LRD5.M5.00.0
H=2	Metal	52.LRD5.M5.02.0
H=4	Metal	52.LRD5.M5.04.0
H=6	Metal	52.LRD5.M5.06.0



Metal cruciform mounting plate. Selftapping screw fixing. Vertical adjustment.
Screws are provided on demand.

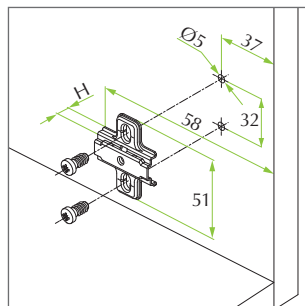
37



Height	Material	Code
H=0	Metal	52.0R01.M5.00.0
H=2	Metal	52.0R01.M5.02.0
H=4	Metal	52.0R01.M5.04.0
H=6	Metal	52.0R01.M5.06.0

Metal cruciform mounting plate. Euro screws premounted. Vertical adjustment.

37

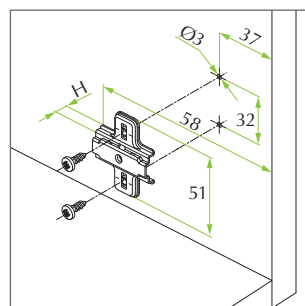


Height	Material	Code
H=0	Metal	52.0R16.M5.00.*
H=2	Metal	52.0R16.M5.02.*
H=4	Metal	52.0R16.M5.04.*
H=6	Metal	52.0R16.M5.06.*

* A = B = G =

Metal cruciform mounting plate. Premounted selftapping screws Ø4.7mm. Vertical adjustment.

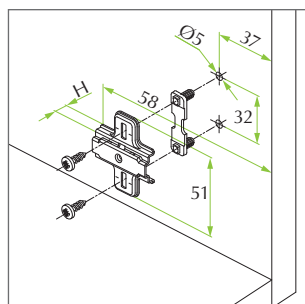
37



Height	Material	Code
H=0	Metal	52.0RG5.M5.00.0
H=2	Metal	52.0RG5.M5.02.0
H=4	Metal	52.0RG5.M5.04.0
H=6	Metal	52.0RG5.M5.06.0

Metal cruciform mounting plate. Fixing by expanding X-Pando dowels Ø5mm. Vertical adjustment.

37

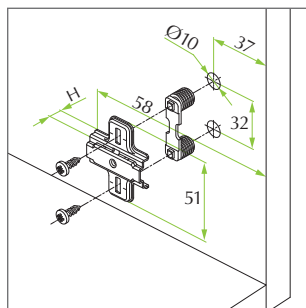


Height	Material	Code
H=0	Metal	52.0RN5.M5.00.*
H=2	Metal	52.0RN5.M5.02.*
H=4	Metal	52.0RN5.M5.04.*
H=6	Metal	52.0RN5.M5.06.*

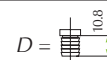
* 0 = 2 =

Metal cruciform mounting plate. Knock-in fixing with dowels Ø10mm. Vertical adjustment.

37

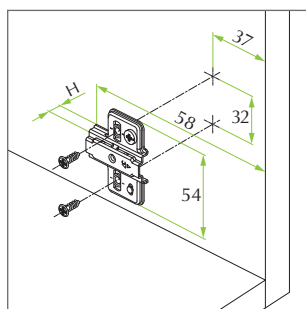


Height	Material	Code
H=0	Metal	52.ORD5.M5.00.0
H=2	Metal	52.ORD5.M5.02.0
H=4	Metal	52.ORD5.M5.04.0
H=6	Metal	52.ORD5.M5.06.0



Metal cruciform mounting plate. Selftapping screw fixing. Independent vertical adjustment with CAM. Screws provided upon request.

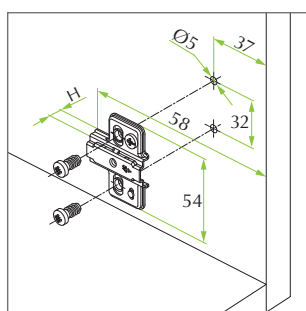
37



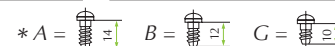
Height	Material	Code
H=0	Metal	52.RR01.L5.00.0
H=2	Metal	52.RR01.L5.02.0
H=4	Metal	52.RR01.L5.04.0
H=6	Metal	52.RR01.L5.06.0

Metal cruciform mounting plate. Euro screws premounted. Independent vertical adjustment with CAM.

37

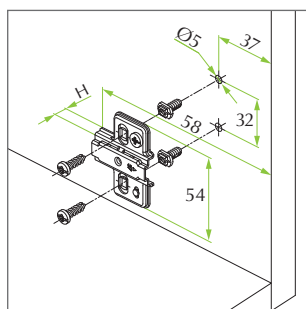


Height	Material	Code
H=0	Metal	52.RR16.L5.00.*
H=2	Metal	52.RR16.L5.02.*
H=4	Metal	52.RR16.L5.04.*
H=6	Metal	52.RR16.L5.06.*

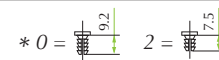


Metal cruciform mounting plate. Fixing by expanding X-Pando dowels Ø5mm. Independent vertical adjustment with CAM.

37

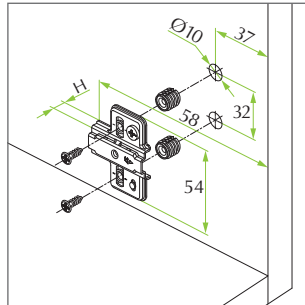


Height	Material	Code
H=0	Metal	52.RRN5.L5.00.*
H=2	Metal	52.RRN5.L5.02.*
H=4	Metal	52.RRN5.L5.04.*
H=6	Metal	52.RRN5.L5.06.*

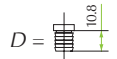


Metal cruciform mounting plate. Knock-in fixing with dowels Ø10mm. Independent vertical adjustment with CAM.

37

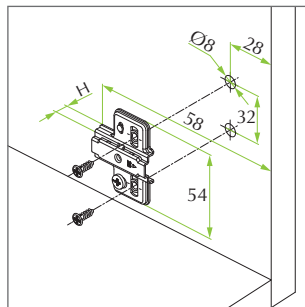


Height	Material	Code
H=0	Metal	52.RRD5.L5.00.0
H=2	Metal	52.RRD5.L5.02.0
H=4	Metal	52.RRD5.L5.04.0
H=6	Metal	52.RRD5.L5.06.0



Metal cruciform mounting plate. Selftapping screw fixing. Independent vertical adjustment with CAM.
Screws provided upon request.

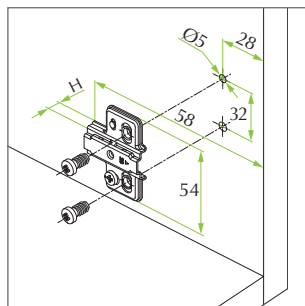
28



Height	Material	Code
H=0	Metal	52.RR22.L5.00.0
H=2	Metal	52.RR22.L5.02.0
H=4	Metal	52.RR22.L5.04.0
H=6	Metal	52.RR22.L5.06.0

Metal cruciform mounting plate. Euro screws premounted. Independent vertical adjustment with CAM.

28

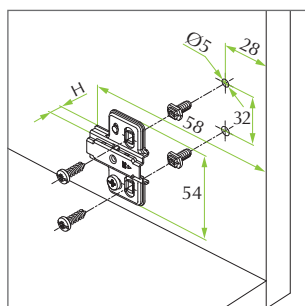


Height	Material	Code
H=0	Metal	52.RR21.L5.00.*
H=2	Metal	52.RR21.L5.02.*
H=4	Metal	52.RR21.L5.04.*
H=6	Metal	52.RR21.L5.06.*

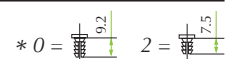


Metal cruciform mounting plate. Fixing by expanding X-Pando dowels Ø5mm. Independent vertical adjustment with CAM.

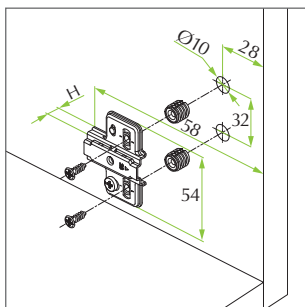
28



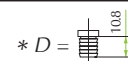
Height	Material	Code
H=0	Metal	52.RRN1.L5.00.*
H=2	Metal	52.RRN1.L5.02.*
H=4	Metal	52.RRN1.L5.04.*
H=6	Metal	52.RRN1.L5.06.*



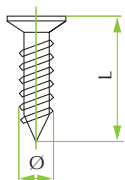
Metal cruciform mounting plate. Knock-in fixing with dowels Ø10mm. Independent vertical adjustment with CAM.



Height	Material	Code
H=0	Metal	52.RRD1.L5.00.0
H=2	Metal	52.RRD1.L5.02.0
H=4	Metal	52.RRD1.L5.04.0
H=6	Metal	52.RRD1.L5.06.0

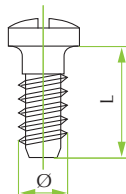


Selftapping screws with Pozi drive head, nickel finish, for hinge and mounting plate fixing.



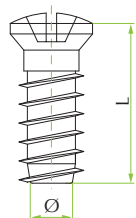
Ø	Length	Material	Code
4	12.5	Steel	1A035034150CF
4	15.5	Steel	1A035034250CF

Euro screws with Pozi drive head, nickel finish, for mounting plate fixing.



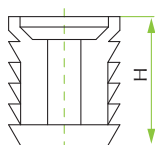
Ø	Length	Material	Code
6.3	10	Steel	1A075029350CF
6.3	12	Steel	1A075108250CF
6.3	14	Steel	1A075108150CF

Euro screws with Pozi drive head, nickel finish, for hinge fixing.



Ø	Length	Material	Code
6.3	12	Steel	1A075130050CF

Dowel in nylon for hinge fixing.



Ø	Height	Material	Code
10	12	Nylon	2H011070530CF
8	11	Nylon	2H000449003CF

Arm cover cap.



<u>Material</u>	<u>Code</u>
Steel	51.RM0005.000000N
Steel with FGV logo*	51.RMFGV5.0000000

*Customer logo upon request.

Hinge box cover cap.



<u>Cup hole dist.</u>	<u>Material</u>	<u>Code</u>
48-45-52	Steel	51.RC0005.00B0000

Pictograms

HINGES

Fixing System



SELFTAPPING SCREW



EURO SCREW



DOWEL

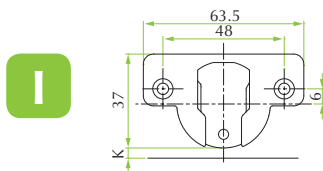


VELOFIX DOWEL

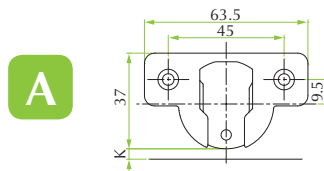


X-PANDO DOWEL

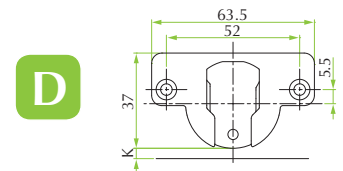
Cup hole distance



CUP HOLE DISTANCE 48x6mm

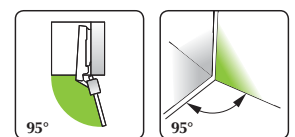
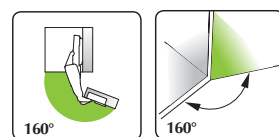
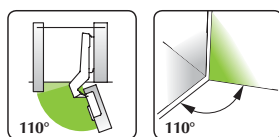
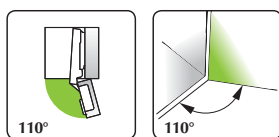


CUP HOLE DISTANCE 45x9.5mm



CUP HOLE DISTANCE 52x5.5mm

Angles



MOUNTING PLATES

Fixing System



SELFTAPPING SCREW



EURO SCREW



DOWEL

21

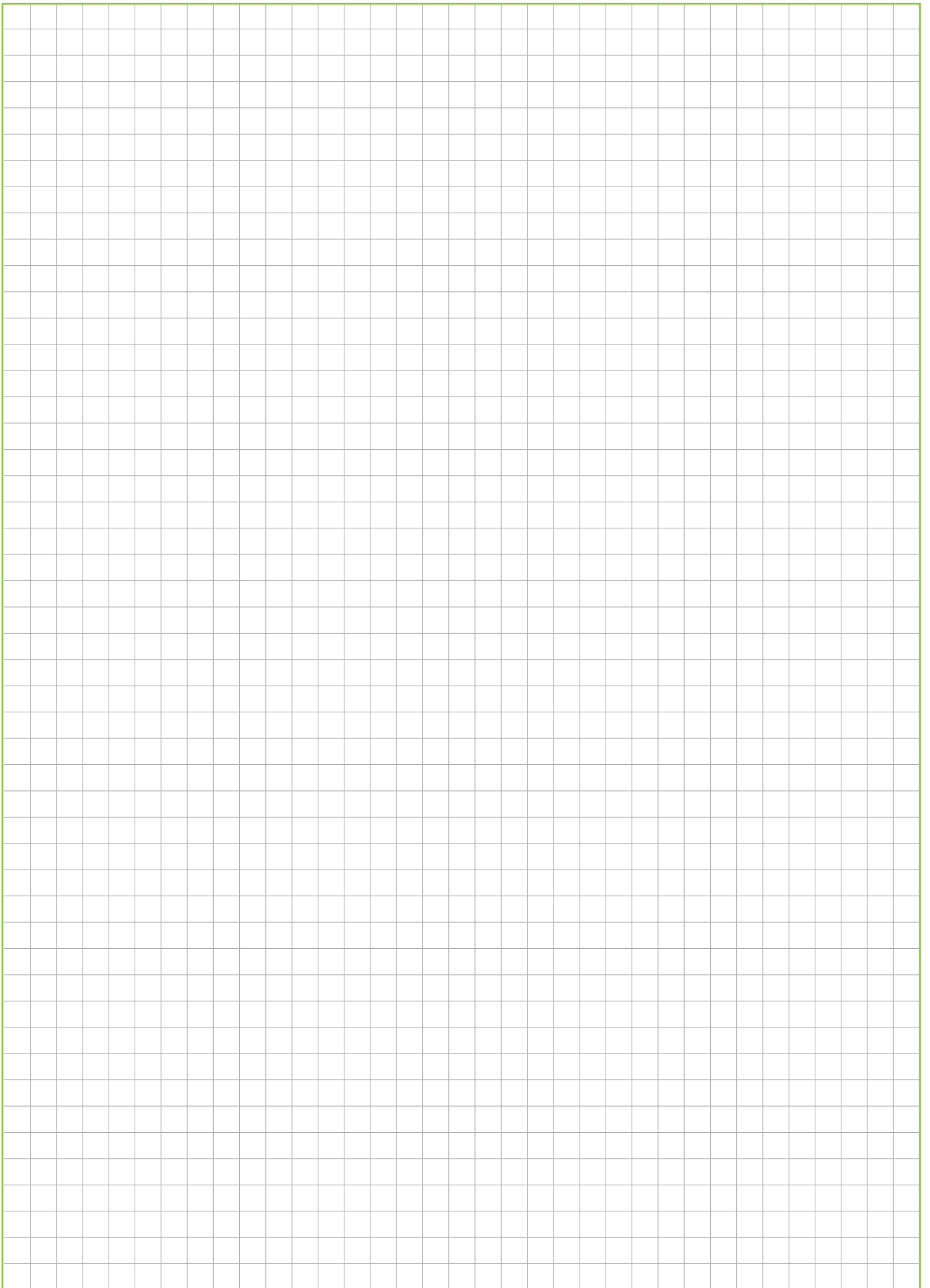
DRILLING DISTANCE 21mm

28

DRILLING DISTANCE 28mm

37

DRILLING DISTANCE 37mm




FORMENTI & GIOVENZANA S.p.A.

Via Concordia, 16
20837 Veduggio con Colzano (MB) - ITALY
Tel. +39 0362 947.1 r.a. - Fax +39 0362 998788
info@fgv.it
www.fgv.it

FGV SLOVAKIA, Spol s r.o.

Partizánska cesta 73, P.O.BOX 87
957 01 Bánovce nad Bebravou - SLOVAKIA
Tel. +421 (0) 38 7626 100 - Fax +421 (0) 38 7626 105
info@fgv.sk

FGVTN BRASIL LTDA.

Rua Francisco Derosso, 1352
Curitiba Paraná 81710 000 - BRASIL
Tel. +55 41 2107 4411 - Fax +55 41 3275 3038
fgvtn@fgvtnbrasil.com.br - www.fgvtnbrasil.com.br

FGV ASIA Limited

Unit 1602, 16/F., Metropolis Tower
10 Metropolis Drive, Hunghom,
Kowloon, Hong Kong - P.R.CHINA
Tel. +852 2762 1534 - Fax +852 2648 7389
info@fgvasia.com - www.fgvasia.com

FGV (Guangzhou) Company Limited

Units 2710-2711, Yang Cheng International Trading Centre
East Tower, Ti Yu Dong Lu, No. 122
Guangzhou - P R CHINA
Tel. +86 20 38870570 - Fax +86 20 38870323
info@fgvchina.com - www.fgvchina.com

DEUTSCHE FGV Formenti & Giovenzana Möbelbeschläge GmbH

Industriestr. 44
D-33397 Rietberg - GERMANY
Tel. +49 (0) 5244-9708-0 - Fax +49 (0) 5244-9708-15
www.fgvgermany.com

FORMENTI & GIOVENZANA POLSKA Sp. z o.o.

Ul. Boleslawiecka 8a
98-400 Wieruszów - POLAND
Tel. +48 62 58 10 400 - Fax +48 62 58 10 480
www.fgvpolska.pl

FGV UKRAINE TOB

Вул. Черновола 39
08132 Вишневе, Київська обл., Україна
Тел. +38 044 333 56 23
Факс +38 044 333 56 24
info@fgv.kiev.ua

FGV SERVICE VENETO S.r.l.

Via Pietro Bassani, 12
33170 Pordenone (PN) - ITALY
Tel. +39 0434 572728
infoveneto@fgvservice.com

FGV SERVICE CENTRO-SUD

Via Massimo d'Antona, 6i
60033 Chiaravalle (AN) - ITALY
Tel. +39 071 7451125 - Fax +39 071 7496441
infocentrosud@fgvservice.com