



# Slides

## *Space in movement*

Good-Better-Best solutions

---

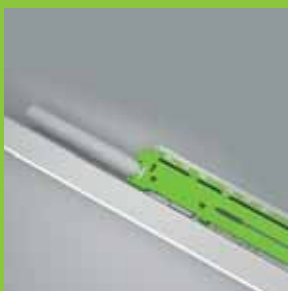
SlowMotion<sup>FR</sup> applications

---

OneTouch applications

---

Slides are the optimum solutions to move storage space towards the furniture user. Visible or concealed, they are powering drawers, tablets or complete units and allow them to move out and in of cabinets. Single or full extension, they are today fitted with self-closing mechanisms, SlowMotion<sup>FR</sup> damping technology or OneTouch systems for handle free furniture design. They feature quick assembly mechanisms and multiple adjustment possibilities.



- *StopClose damping increase showroom appeal of furniture and confer high comfort for the end user in day to day usage*
- *FinalRelease feature for perfect functioning in any case, even when cabinets are out of tolerance or the assembly is not perfect*
- *Integral on Excel slides or add-on on Comfy slides, the state-of-the-art feature is available throughout the range of slides*

# ***SlowMotion<sup>FR</sup>***

## ***Comfort with controlled movement***



SlowMotion<sup>FR</sup> is the innovative technology developed and marketed by FGV to control the movement of drawer slides. SlowMotion<sup>FR</sup> is an efficient way to reduce noise in the closing phase and provide a majestic movement to drawers. The adaptive technology is based on high performance fluid dampers, developing high energy levels at impact, which allow long term performance, even on heavy drawers. The FinalRelease feature ensures that drawers are always closing, even if the cabinet is out of tolerance or the assembly is not perfect.



- *OneTouch technology is the modern option for under slung slides to allow opening without the use of handles or knobs*
- *OneTouch solutions used on internal English drawers or on extractable tablets allow a high comfort of use*

# *OneTouch*

---

## *Minimalist drawer design*



OneTouch is the technology designed and patented by FGV to actuate drawers without using handles, but simply pushing on the front. This modern feature fits perfectly well with minimalist design without handles or buttons. OneTouch technology is available on the whole range of Excel under slung slides and is the ideal function for bedroom, living room or elsewhere in the house. It also suits internal drawers.







# *Slides Index*

<i>Excel N530H</i>	<i>302-303</i>
<i>Excel N550H</i>	<i>304-305</i>
<i>Excel N600H</i>	<i>306-307</i>
<i>Excel N650H</i>	<i>308-309</i>
<i>Excel slide accessories</i>	<i>310-311</i>
<i>Comfy 135</i>	<i>314-315</i>
<i>Comfy 135K</i>	<i>316-317</i>
<i>Comfy 145</i>	<i>318-319</i>
<i>Comfy 145 SlowMotion</i>	<i>320-321</i>
<i>Comfy 082</i>	<i>322-323</i>
<i>Comfy R82</i>	<i>324-325</i>
<i>Comfy slide accessories</i>	<i>326-329</i>

FGV offers easy to use roller and ball bearing slides solutions, as well as premium under slung slides with state-of-the-art features fitting for several requirements.







## *The Feelgood Factor*

Concealed mounting

---

Single or full extension

---

Plug-in or Easy-Fix assembly

---

SlowMotion<sup>FR</sup> damping

---

OneTouch handle less opening

---

**Excel** is the concealed sliding system for drawers developed and marketed by FGV. It boosts all the modern features of drawer sliding systems, thanks to cutting edge design, high quality of materials and automatic assembly processes. Excel benefits from the latest SlowMotion<sup>FR</sup> damping technology with adaptive damping and final release feature for comfort and safety.



***Excel Video***



## *The right feeling*

Slides are made for sliding! It seems obvious, but to provide a good performance to drawer slides, you need more than a few pieces put together. High quality materials for profiles and rollers, tight tolerances on each component in the assembly process and a constant care for every aspect are the conditions under which a slide delivers the right feeling, when opening a drawer. Pull-out resistance, damping power and guaranteed closure are the result of Italian design and home grown technology of a market leader.

## *Concealed technology*

Technology needs to stand back, where design is taking over. Furniture hardware needs to accomplish its function with discretion and efficiency. Undermount slides are today a must and are replacing step by step roller slides or ball bearing slides. EXCEL under slung slides for single or full extension are technologically advanced solutions to move drawers over a life long period and to ensure a high comfort in complete discretion. Clearly present, virtually invisible, EXCEL slides are doing their work in a concealed manner.



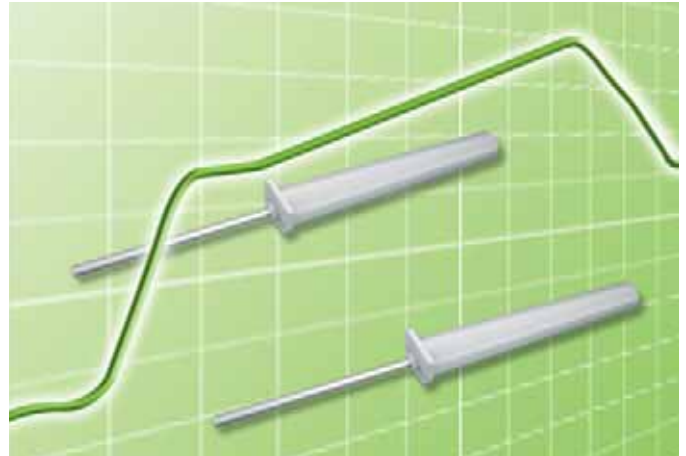
## *Performance and quality*

EXCEL slides are tested and approved to the highest quality standards. Conform to level 3 of ISO 7170:2005, the whole range covering the standard slides, the SlowMotion<sup>FR</sup> version and the OneTouch version are built to last at least 80.000 cycles, representing more than two decades of constant use. CATAS certification is backing this claim. Formenti & Giovenzana SpA as a company is EN ISO 9001:2008 certified and aims to always deliver products with highest quality standards.



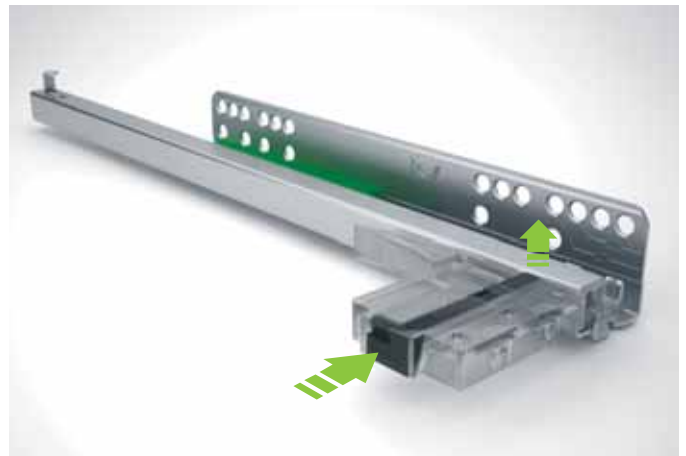
## *Stop-close damper*

Thanks to SlowMotion<sup>FR</sup> adaptive damping technology, Excel slides are increasing the showroom appeal and improving the comfort in day-to-day usage. Developing a high energy level at impact, the drawer's travel is fully under control, ensuring that most of the force required is supplied from the start on. In the last millimetres of closure, the new FinalRelease feature ensures that drawers are always closing, even when the cabinet is out of tolerance or the assembly not perfect.



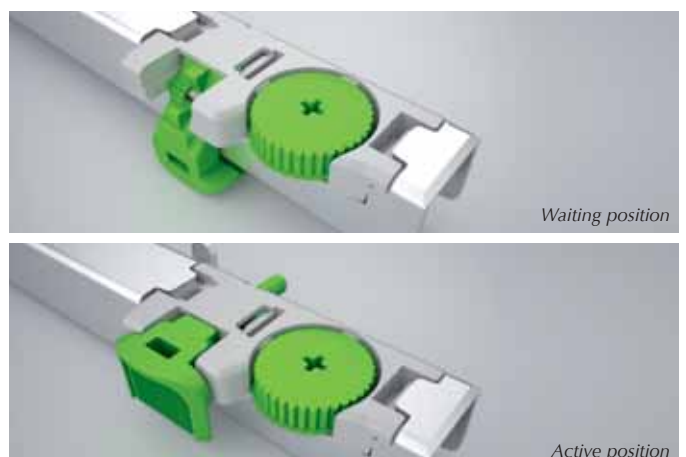
## *Tolerance build in*

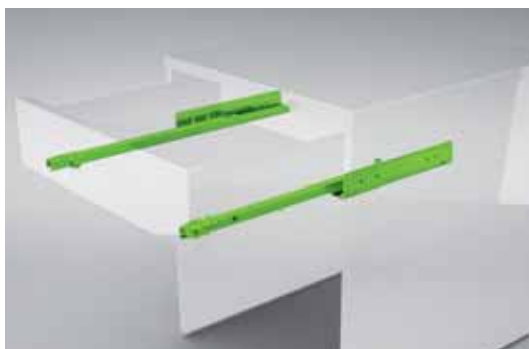
Producing furniture means accepting tolerances. Out of tolerance cabinet or drawer dimensions, parallax errors in the cabinet hole drilling or slide assembly are facts of life in furniture production. Excel slides are made for woodworkers and cope extremely well with adverse conditions. And on top, the easy height adjustment without dismounting the drawer is making the life of the industry and the trade a lot easier.



## *Adjustment and anti-lift*

The N530H series benefits from the brand new system for height adjustment and anti-lift feature. A large adjustment wheel easily accessible and a discretionary anti-lift plug integrated into the slide improve significantly ease of use and quality of this standard slide.





## N530H Excel single extension Plug-In

### Benefits for the industry

- Large range of standard depths from 250 to 550 mm
- Small extraction loss due to compact build
- Very tolerant due to built in flexibility
- New generation of SlowMotion<sup>FR</sup> damping with stop-close feature and FinalRelease feature to always guarantee silent drawer closure even under adverse conditions
- Simple Plug-In assembly for ease of manufacturing
- Comfortable large wheel height adjustment
- Integrated optional anti-lift feature
- Excellent load ability with 25kg dynamic standard capacity throughout the range

### Benefits for the consumer

- Smooth functioning thanks to new generation of wheel design
- Lasting quality thanks to optimised materials
- Hidden assembly for high quality perception of the whole cabinet
- Adaptive SlowMotion<sup>FR</sup> damping for noiseless closing
- High-end OneTouch handleless operation

Code	Description	Packing
54.N530.H7.25*.0000	Excel N530H for 250mm deep drawer (1 pair)	Industrial
54.N530.H7.30*.0000	Excel N530H for 300mm deep drawer (1 pair)	Industrial
54.N530.H7.35*.0000	Excel N530H for 350mm deep drawer (1 pair)	Industrial
54.N530.H7.40*.0000	Excel N530H for 400mm deep drawer (1 pair)	Industrial
54.N530.H7.45*.0000	Excel N530H for 450mm deep drawer (1 pair)	Industrial
54.N530.H7.50*.0000	Excel N530H for 500mm deep drawer (1 pair)	Industrial
54.N530.H7.55*.0000	Excel N530H for 550mm deep drawer (1 pair)	Industrial

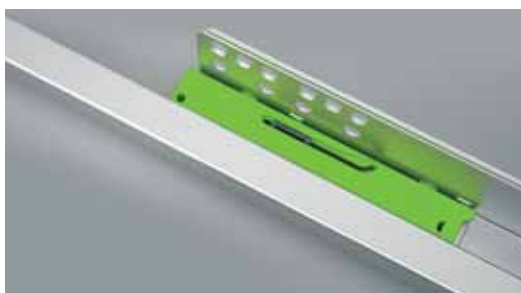
\* closing system: 0 = Self-Closing / Y = SlowMotion / P = OneTouch.

Industrial packing composed by:

- 1 box of 24 right profiles
- 1 box of 24 left profiles.



Plug-In



### OneTouch

Handle less cabinets are part of modern furniture design. FGV OneTouch technology is precise, reliable and works over a large range of drawer width.

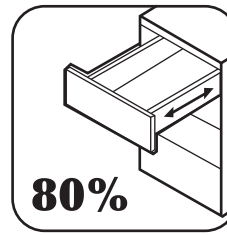


### SlowMotion<sup>FR</sup>

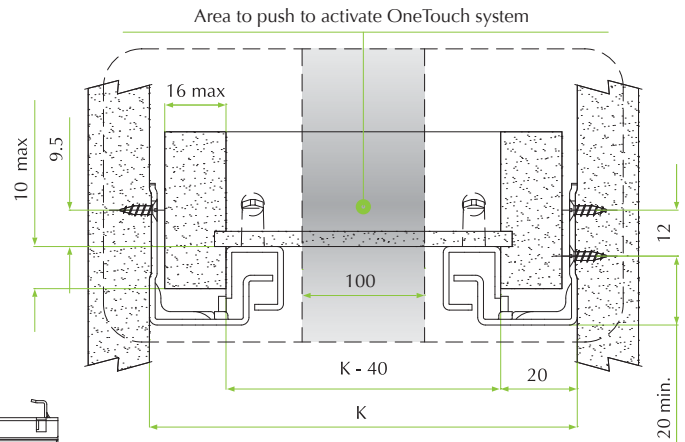
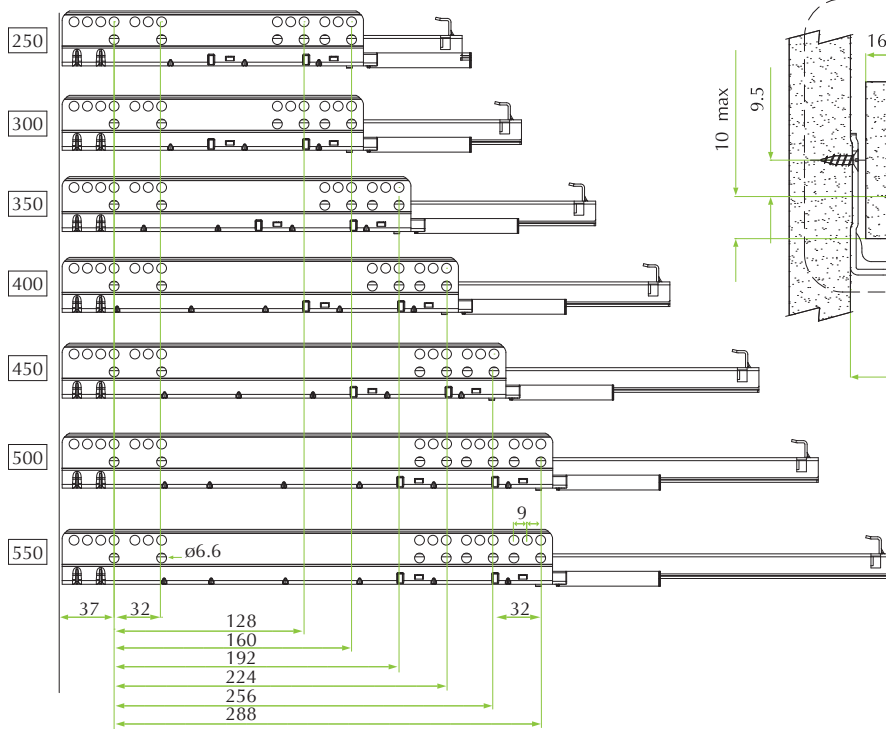
All new adaptive stop close damping device are ensuring a strong damping force and perfect closing of the drawer in every condition.



# Excel single extension

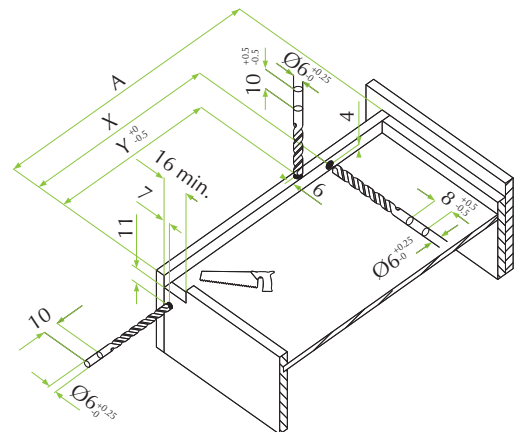
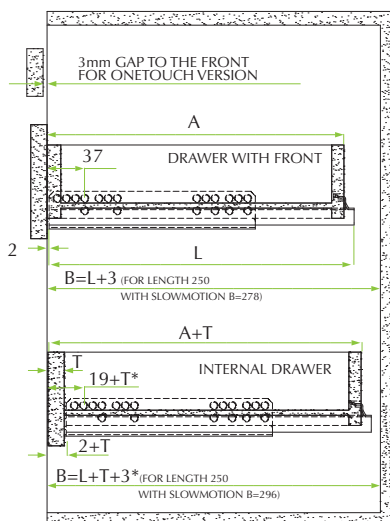


## Slides fixing dimensions



**L** = EXCEL SLIDE NOMINAL LENGTH  
**A** = DRAWER DEPTH  
**B** = CABINET INTERNAL DEPTH  
**K** = CABINET INTERNAL WIDTH  
**AV** = EXTENSION LOSS  
 \* = +3mm with OneTouch slide  
 (The OneTouch system is guaranteed for drawers with width max 600mm)

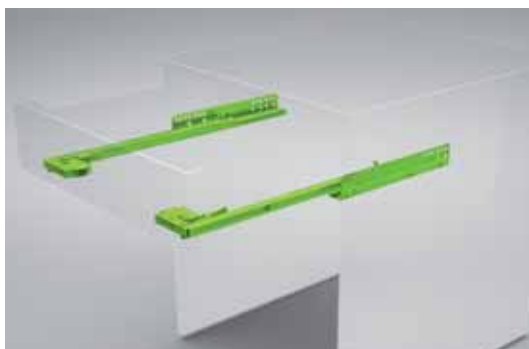
## Drawer mounting & dimensions



<b>L</b>	260*	310	360	410	460	510	560
<b>A</b>	250	300	350	400	450	500	550
<b>X</b>	208.5	234	251.5	269.5	303.5	329.5	358.5
<b>Y</b>	188.5	214	231.5	249.5	283.5	309.5	338.5
<b>AV</b>	78.5	78.5	98.5	118.5	118.5	118.5	138.5

Values given in mm

303



## N550H Excel single extension Easy-Fix

### Benefits for the industry

- Large range of standard depths from 250 to 550 mm
- Small extensions loss due to compact build
- Very tolerant due to built-in flexibility
- New generation of SlowMotion<sup>FR</sup> damping with stop-close feature and FinalRelease feature to always guarantee drawer closure also under adverse conditions
- Easy-Fix rapid fixing for ease of assembly and integrated anti-lift feature
- Quick and easy front height adjustment without disassembly of the drawer
- Excellent load ability with 25kg dynamic standard load capacity throughout the range

### Benefits for the consumer

- Smooth functioning thanks to new generation of wheel design
- Lasting quality thanks to optimised materials
- Hidden assembly for high quality perception of the whole cabinet
- Adaptive SlowMotion<sup>FR</sup> damping for noiseless closing
- High-end OneTouch handleless operation

### Code

54.N550.H7.25\*.0000

54.N550.H7.30\*.0000

54.N550.H7.35\*.0000

54.N550.H7.40\*.0000

54.N550.H7.45\*.0000

54.N550.H7.50\*.0000

54.N550.H7.55\*.0000

### Description

Excel N550H  
for 250mm deep drawer (1 set)

Excel N550H  
for 300mm deep drawer (1 set)

Excel N550H  
for 350mm deep drawer (1 set)

Excel N550H  
for 400mm deep drawer (1 set)

Excel N550H  
for 450mm deep drawer (1 set)

Excel N550H  
for 500mm deep drawer (1 set)

Excel N550H  
for 550mm deep drawer (1 set)

### Packing

Industrial

Industrial

Industrial

Industrial

Industrial

Industrial

Industrial

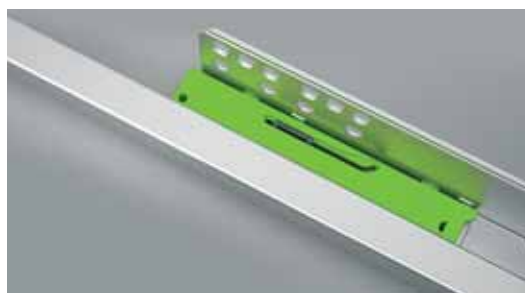
\* closing system: 0 = Self-Closing / Y = SlowMotion / P = OneTouch.

Industrial packing composed by:

- 1 box of 24 right profiles
- 1 box of 24 left profiles
- 1 box of 48 Easy-Fix devices.

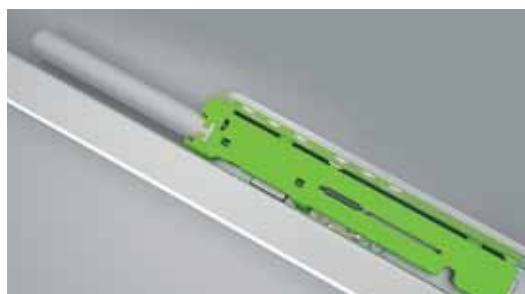


### Easy-Fix



### OneTouch

Handleless cabinets are part of modern furniture design. FGV OneTouch technology is precise, reliable and works over a large range of drawer width.

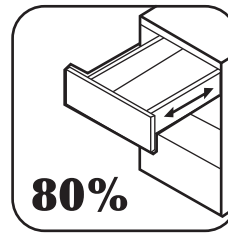


### SlowMotion<sup>FR</sup>

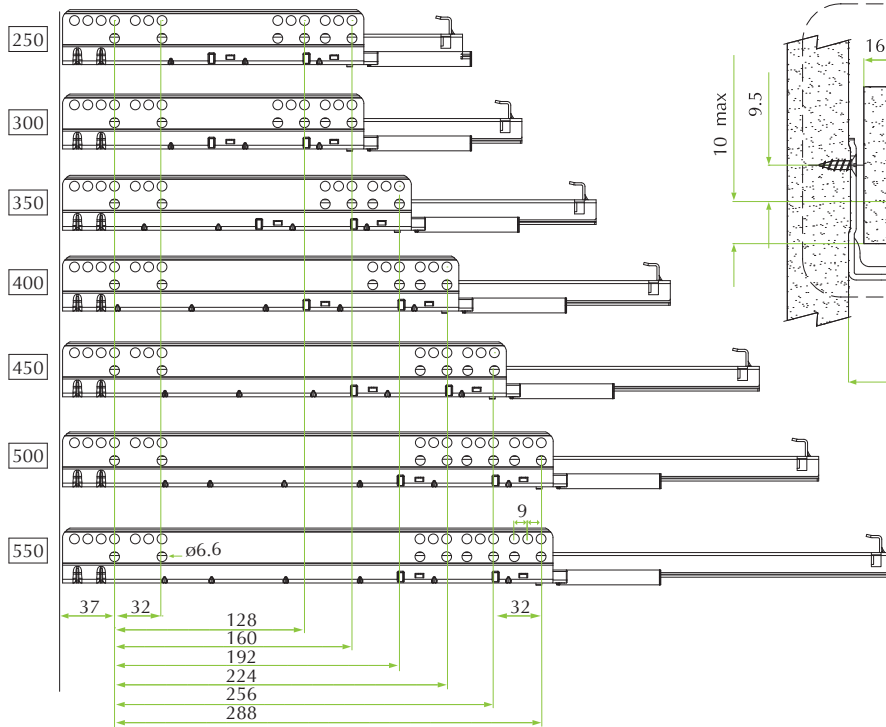
All new adaptive stop close damping device ensures a strong damping force and perfect closing of the drawer in every condition.



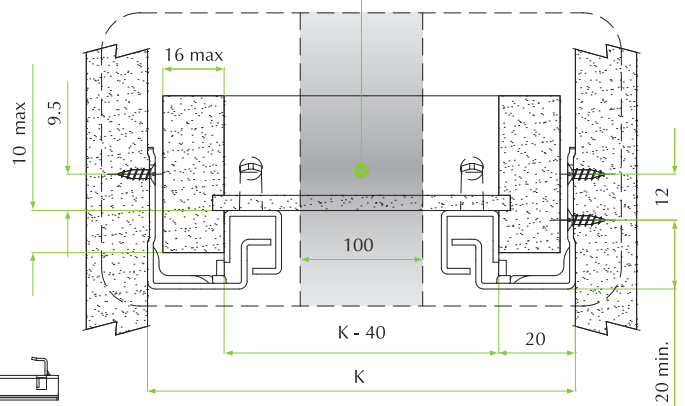
# Excel single extension



## Slides fixing dimensions

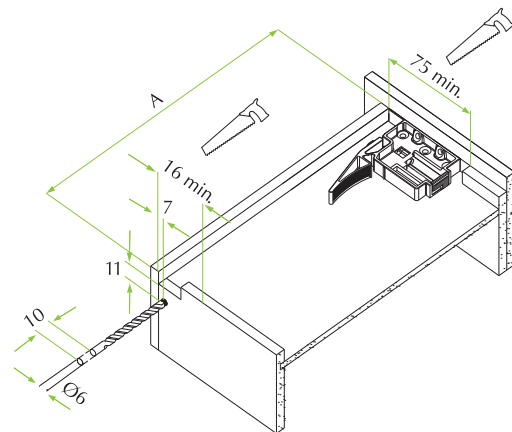
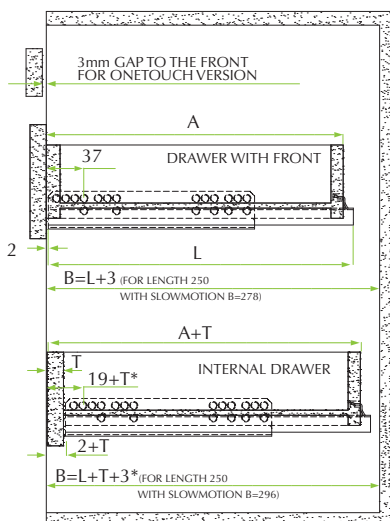


## Area to push to activate OneTouch system



- L** = EXCEL SLIDE NOMINAL LENGTH
- A** = DRAWER DEPTH
- B** = CABINET INTERNAL DEPTH
- K** = CABINET INTERNAL WIDTH
- AV** = EXTENSION LOSS
- \* = +3mm with OneTouch slide
- (The OneTouch system is guaranteed for drawers with width max 600mm)

## Drawer mounting & dimensions



<b>L</b>	260*	310	360	410	460	510	560
<b>A</b>	250	300	350	400	450	500	550
<b>AV</b>	78.5	78.5	98.5	118.5	118.5	118.5	138.5

Values given in mm

305



## N600H Excel full extension Plug-In

### Benefits for the industry

- Large range of standard depths from 250 to 550 mm
- Full extension for complete drawer access
- Very tolerant due to built-in flexibility
- New generation of SlowMotion<sup>FR</sup> damping with stop-close feature and FinalRelease feature to always guarantee silent drawer closure even under adverse conditions
- Simple Plug-In assembly for ease of manufacturing
- Comfortable adjustment and integrated anti-lift feature
- Excellent load ability with 30kg dynamic standard capacity throughout the range

### Benefits for the consumer

- Smooth functioning thanks to new generation of wheel design
- Comfortable full extension for improved accessibility and ease of use
- Lasting quality thanks to optimised materials
- Hidden assembly for high quality perception of the whole cabinet
- Adaptive SlowMotion<sup>FR</sup> damping for noiseless closing
- High-end OneTouch handleless operation

### Code

54.N600.H7.25\*.0000

54.N600.H7.30\*.0000

54.N600.H7.35\*.0000

54.N600.H7.40\*.0000

54.N600.H7.45\*.0000

54.N600.H7.50\*.0000

54.N600.H7.55\*.0000

### Description

Excel N600H  
for 250mm deep drawer (1 pair)

Excel N600H  
for 300mm deep drawer (1 pair)

Excel N600H  
for 350mm deep drawer (1 pair)

Excel N600H  
for 400mm deep drawer (1 pair)

Excel N600H  
for 450mm deep drawer (1 pair)

Excel N600H  
for 500mm deep drawer (1 pair)

Excel N600H  
for 550mm deep drawer (1 pair)

### Packing

Industrial

Industrial

Industrial

Industrial

Industrial

Industrial

Industrial

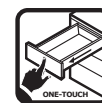
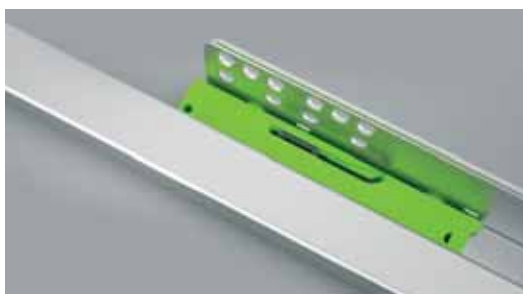
\* closing system: 0 = Self-Closing / Y = SlowMotion / P = OneTouch.

Industrial packing composed by:

- 1 box of 12 right profiles
- 1 box of 12 left profiles.



### Plug-In



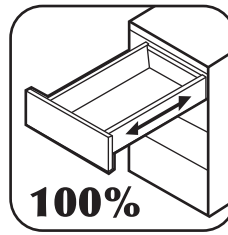
### OneTouch

Handleless cabinets are part of modern furniture design. FGV OneTouch technology is precise, reliable and works over a large range of drawer width.

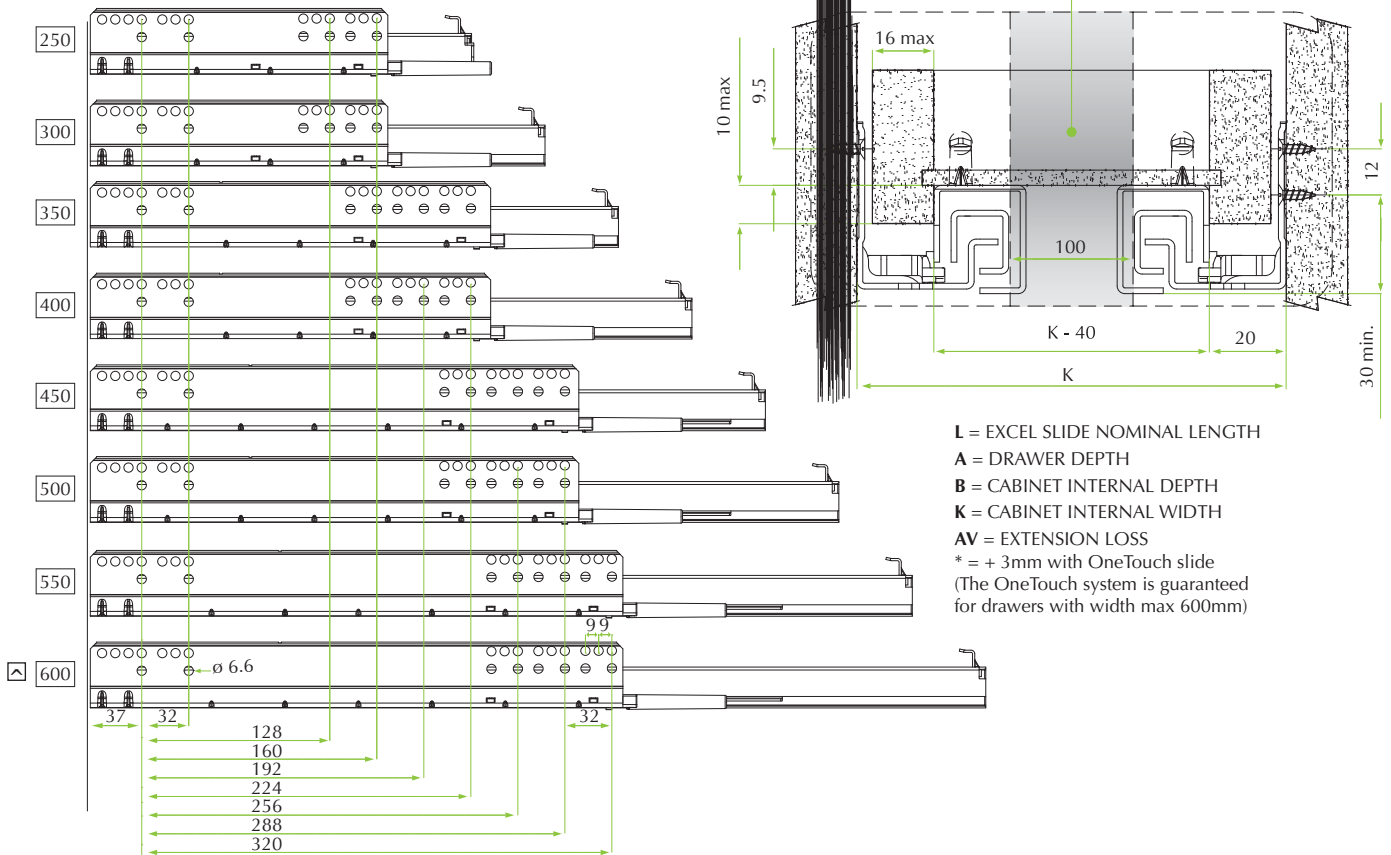


### SlowMotion<sup>FR</sup>

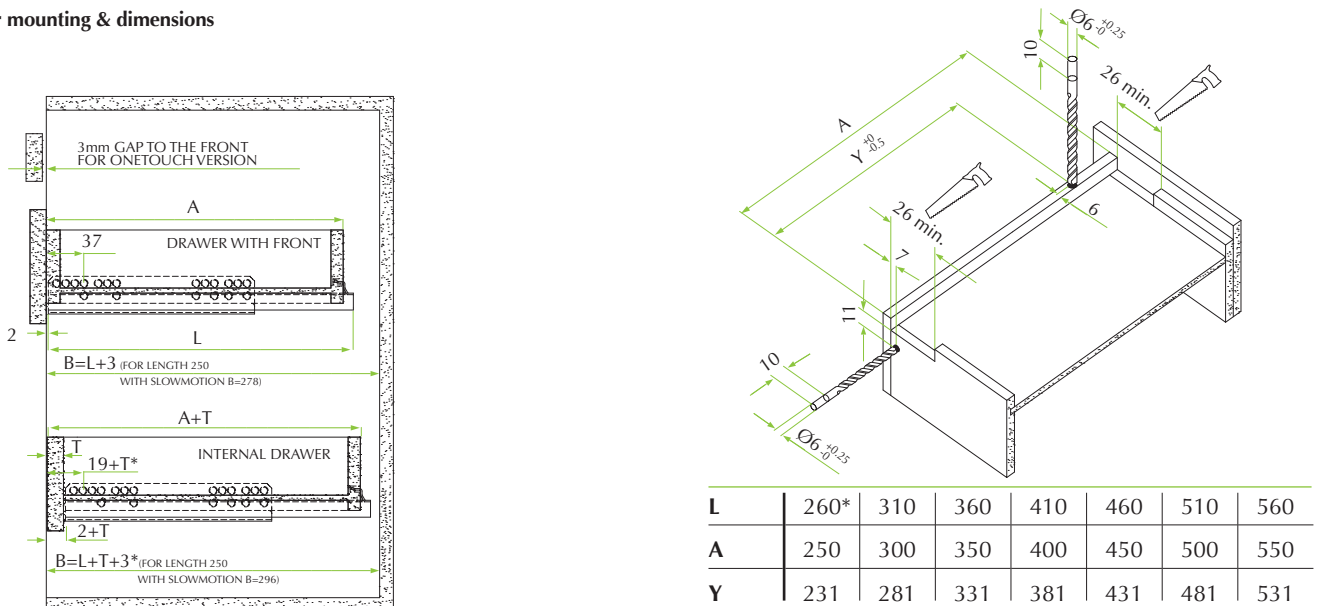
All new adaptive stop close damping device ensures a strong damping force and perfect closing of the drawer in every condition.



## Slides fixing dimensions



## Drawer mounting & dimensions





## N650H Excel full extension Easy-Fix

### Benefits for the industry

- Large range of standard depths from 250 to 550 mm
- Full extension for complete drawer access
- Very tolerant due to built-in flexibility
- New generation of SlowMotion<sup>FR</sup> damping with stop-close feature and FinalRelease feature to always guarantee drawer closure also under adverse conditions
- Easy-Fix rapid fixing for ease of assembly and integrated anti-lift feature
- Quick and easy front height adjustment without disassembly of the drawer
- Excellent load ability with 30kg dynamic standard capacity throughout the range

### Benefits for the consumer

- Smooth functioning thanks to new generation of wheel design
- Comfortable full extension for improved accessibility and ease of use
- Lasting quality thanks to optimised materials
- Hidden assembly for high quality perception of the whole cabinet
- Adaptive SlowMotion<sup>FR</sup> damping for noiseless closing
- High-end OneTouch handleless operation

Code	Description	Packing
54.N650.H7.25*.0000	Excel N650H for 250mm deep drawer (1 set)	Industrial
54.N650.H7.30*.0000	Excel N650H for 300mm deep drawer (1 set)	Industrial
54.N650.H7.35*.0000	Excel N650H for 350mm deep drawer (1 set)	Industrial
54.N650.H7.40*.0000	Excel N650H for 400mm deep drawer (1 set)	Industrial
54.N650.H7.45*.0000	Excel N650H for 450mm deep drawer (1 set)	Industrial
54.N650.H7.50*.0000	Excel N650H for 500mm deep drawer (1 set)	Industrial
54.N650.H7.55*.0000	Excel N650H for 550mm deep drawer (1 set)	Industrial

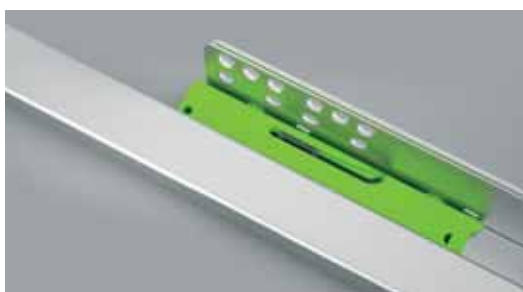
\* closing system: 0 = Self-Closing / Y = SlowMotion / P = OneTouch.

Industrial packing composed by:

- 1 box of 12 right profiles
- 1 box of 12 left profiles
- 1 box of 24 Easy-Fix devices.



Easy-Fix



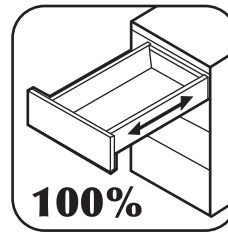
### OneTouch

Handleless cabinets are part of modern furniture design. FGV OneTouch technology is precise, reliable and works over a large range of drawer width.

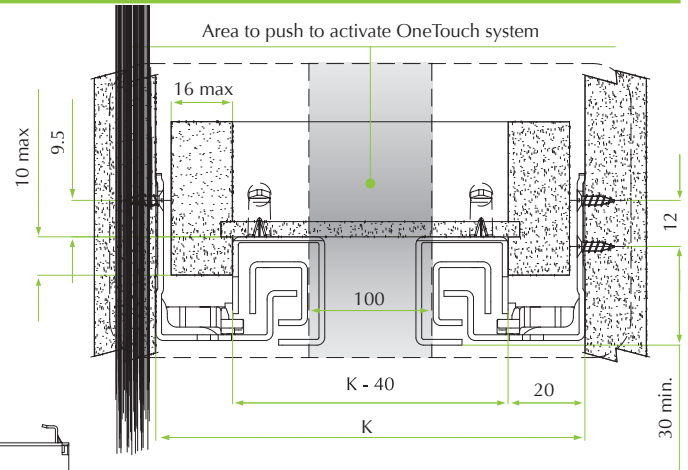
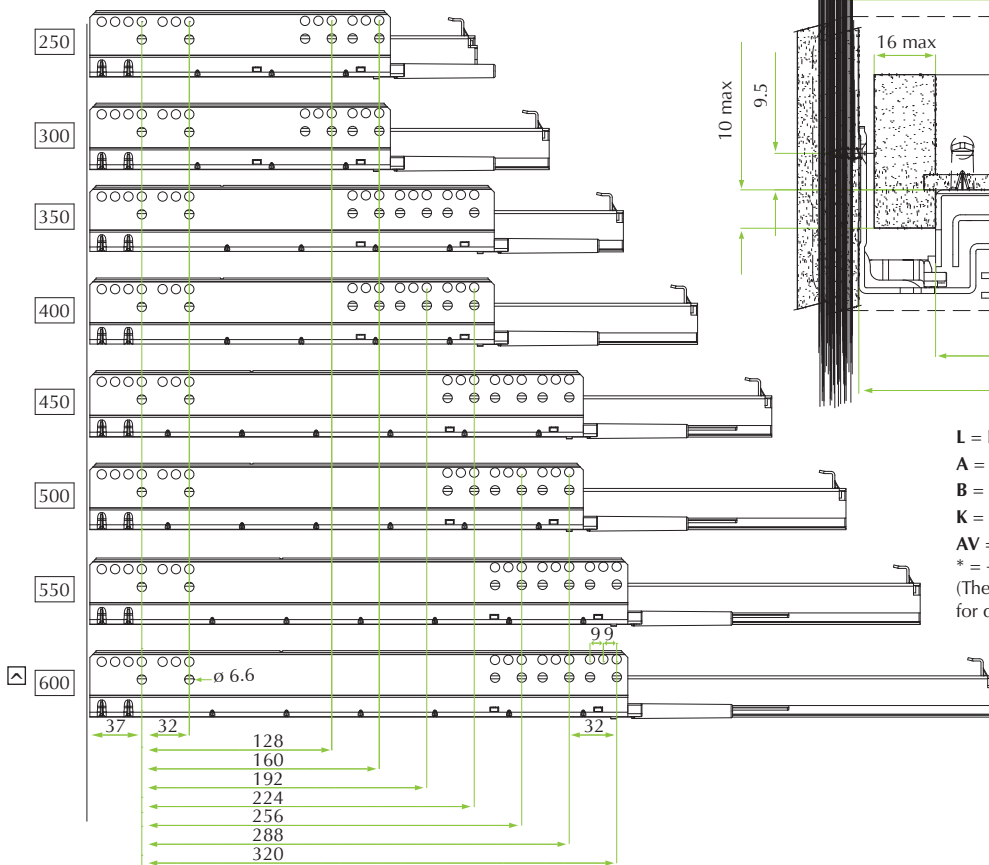


### SlowMotion<sup>FR</sup>

All new adaptive stop close damping device ensures a strong damping force and perfect closing of the drawer in every condition.



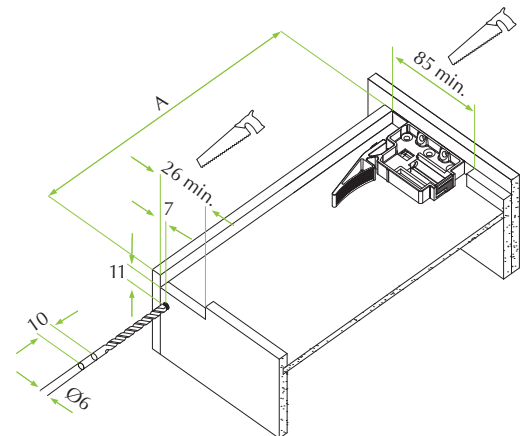
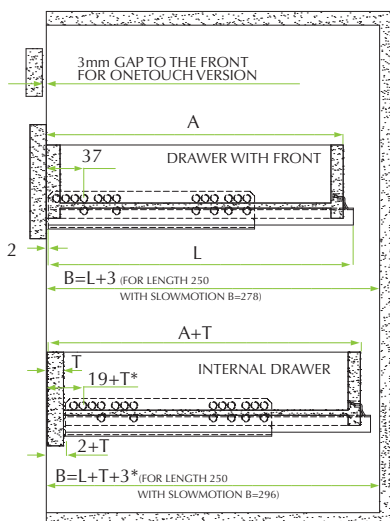
## Slides fixing dimensions



**L** = EXCEL SLIDE NOMINAL LENGTH  
**A** = DRAWER DEPTH  
**B** = CABINET INTERNAL DEPTH  
**K** = CABINET INTERNAL WIDTH  
**AV** = EXTENSION LOSS  
 \* = + 3mm with OneTouch slide  
 (The OneTouch system is guaranteed for drawers with width max 600mm)

☒ = ON DEMAND

## Drawer mounting & dimensions



<b>L</b>	260*	310	360	410	460	510	560
<b>A</b>	250	300	350	400	450	500	550

# Excel Spacer Set



## Technical specifications:

- 5 mm spacer thickness to be mounted with N530 and N550 Excel slides
- Symmetrical solution to be applied to one or to both drawer slides
- Ideal application with interior drawers used on cabinets with hinged doors
- Supplied in a kit of 4 units to be separated manually

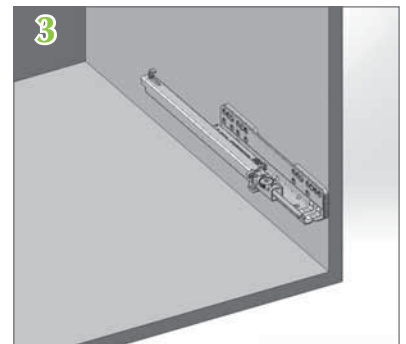
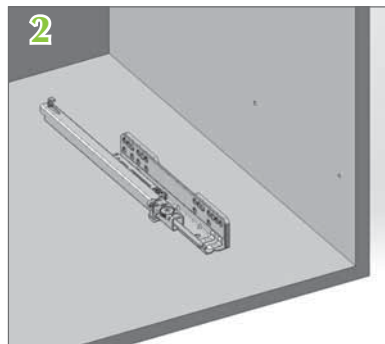
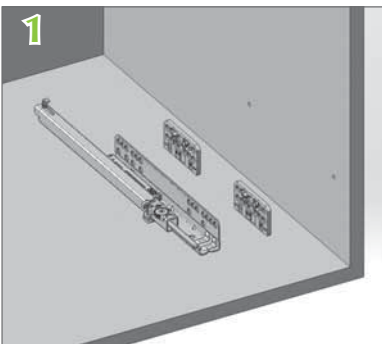
## SPACER SET



<u>Code</u>	<u>Description</u>	<u>Packing</u>
42.H50K.00.XL1.0000	Set of 4 plastic spacers	100 sets

*Colour finish: Grey Ral 7042.*

## Application:





# Excel Tablet clips set



## Technical specifications:

- Shelf Clips to be mounted with N530 Excel slides
- Solution for extracting tablet
- A set of front and back clips is required for each slide
- Integrated anti-lift feature

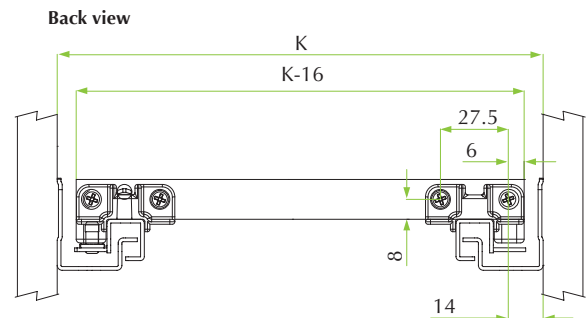
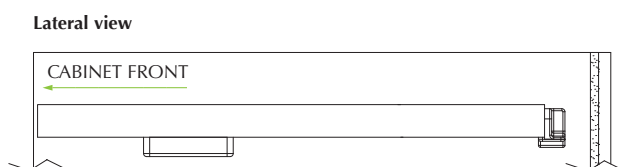
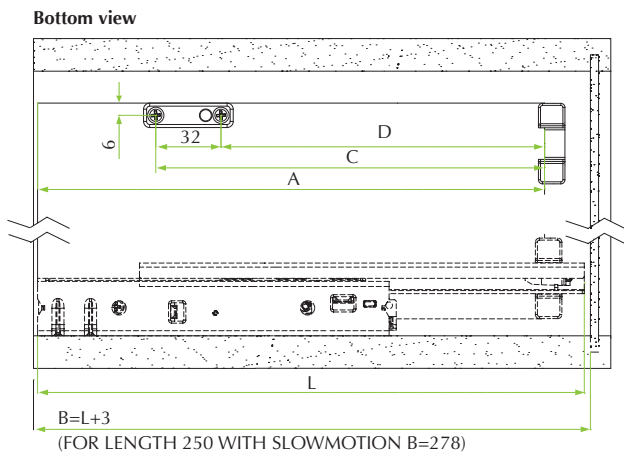
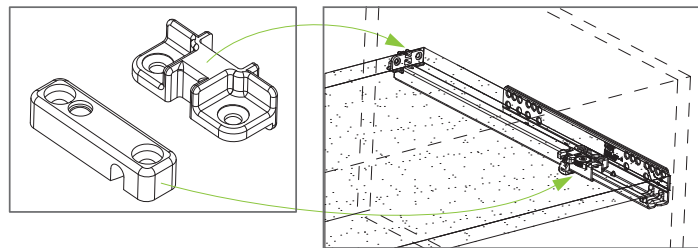
### TABLET CLIPS SET



Code	Description	Packing
42.H5CR.20.XL0.0000	Set of front and back clips	300 sets

Colour finish: Grey Ral 7042.

### Assembly with N530 Excel slide:



L	260	310	360	410	460	510	560	610
A	240	290	340	390	440	490	540	590
C	203	228.5	246	264	298	324	353	385
D	171	196.5	214	232	266	292	321	353

L = EXCEL SLIDE NOMINAL LENGTH  
 A = SHELF DEPTH  
 K = CABINET INTERNAL WIDTH





- *Steel ball bearing system for high load ability of the slides*
- *High-performance wheels on special axles for a long lasting life*
- *Large range of measures and wide choice of finishes and packing have made the Comfy range a star in the drawer slide market*



## *Affordable drawer slides*

Ball bearing runner solutions

---

Roller slide updated technology

---

Ease of assembly

---

Excellent load ability

---

**Comfy** is driving drawers in hundred of millions of cabinets throughout the world for several decades. It is still the most competitive slide system for affordable furniture. It benefits from constant technological updates as well as of a range of state-of-the-art accessories.





## Comfy 135 to screw-on

### Benefits for the industry

- Fastened to drawer with chipboard screws
- Better sliding on steel ball bearings
- Greater side-to-side stability
- Unlocking device

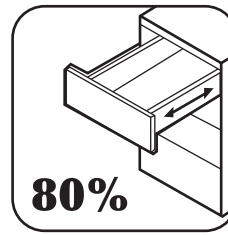
### Benefits for the consumer

- Lasting quality thanks to optimised materials
- Large range of depths from 300 to 600 mm
- Excellent load ability with 35kg dynamic standard capacity throughout the range

Code	Description	Packing
54.5135.07.300.00	Comfy 135 for 300mm deep drawer (1 pair)	20 pairs per box
54.5135.07.350.00	Comfy 135 for 350mm deep drawer (1 pair)	20 pairs per box
54.5135.07.400.00	Comfy 135 for 400mm deep drawer (1 pair)	20 pairs per box
54.5135.07.450.00	Comfy 135 for 450mm deep drawer (1 pair)	20 pairs per box
54.5135.07.500.00	Comfy 135 for 500mm deep drawer (1 pair)	20 pairs per box
54.5135.07.550.00	Comfy 135 for 550mm deep drawer (1 pair)	20 pairs per box
54.5135.07.600.00	Comfy 135 for 600mm deep drawer (1 pair)	20 pairs per box

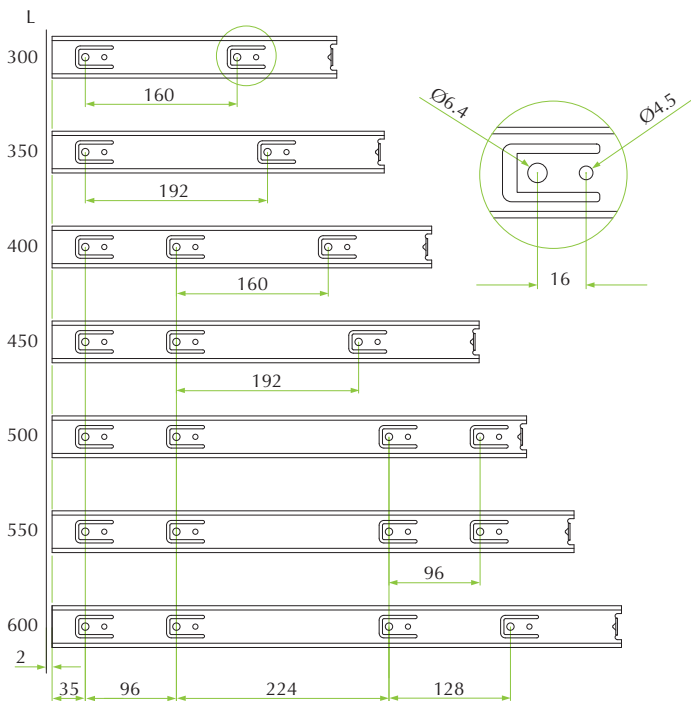
Finish: zincate.

# Single extension side mount ball bearing slide

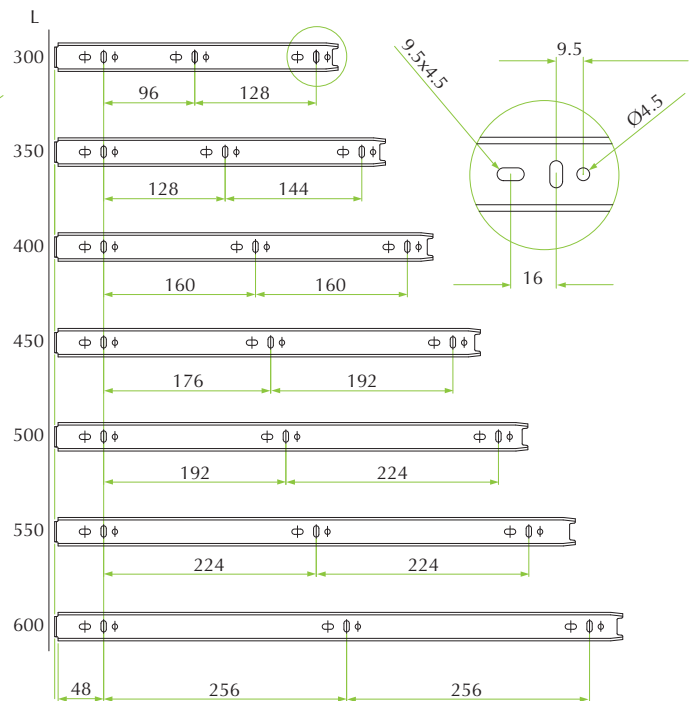


## Slides fixing dimensions

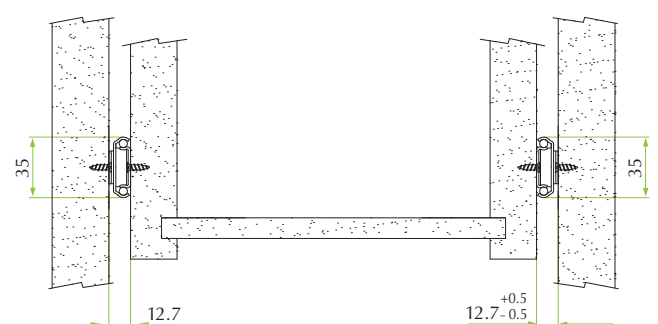
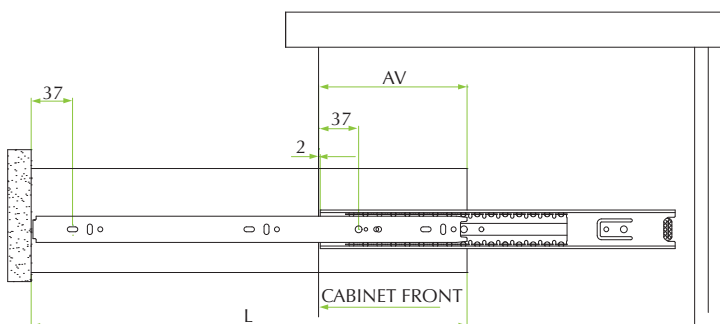
### CABINET MEMBER



### DRAWER MEMBER



## Drawer mounting & dimensions



L	300	350	400	450	500	550	600
AV	92	94	96	98	118	128	143

**L** = COMFY SLIDE NOMINAL LENGTH  
**AV** = EXTENSION LOSS



## Comfy 135K for pull-out shelf solution

### Benefits for the industry

- Top fixing with adjustable brackets
- Better sliding on steel ball bearings
- Stopping device
- Unlocking device

### Benefits for the consumer

- Lasting quality thanks to optimised materials
- Large range of depths from 300 to 600 mm
- Excellent load ability with 35kg dynamic standard capacity throughout the range

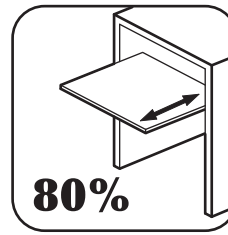
Code	Description	Packing
54.5135.07.30K.00	Comfy 135K for 300mm deep shelf (1 kit)	10 kits per box
54.5135.07.35K.00	Comfy 135K for 350mm deep shelf (1 kit)	10 kits per box
54.5135.07.40K.00	Comfy 135K for 400mm deep shelf (1 kit)	10 kits per box
54.5135.07.45K.00	Comfy 135K for 450mm deep shelf (1 kit)	10 kits per box
54.5135.07.50K.00	Comfy 135K for 500mm deep shelf (1 kit)	10 kits per box
54.5135.07.55K.00	Comfy 135K for 550mm deep shelf (1 kit)	10 kits per box
54.5135.07.60K.00	Comfy 135K for 600mm deep shelf (1 kit)	10 kits per box

Finish: zincate.

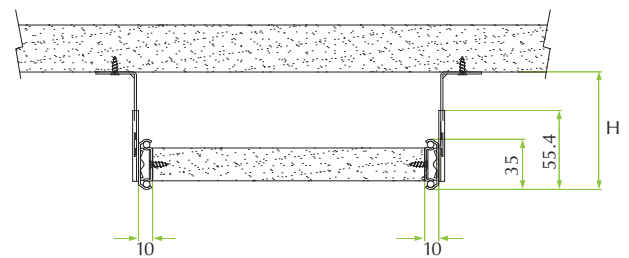
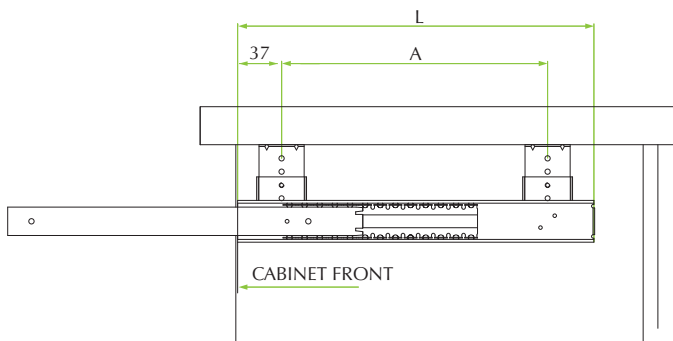
Packing in kit composed by:

- 1 right slide
- 1 left slide
- 4 brackets
- 4 flat head screws M4
- 8 self tapping screws (Ø4x15 mm).

# Pull-out shelf ball bearing slide



## Slides fixing dimensions

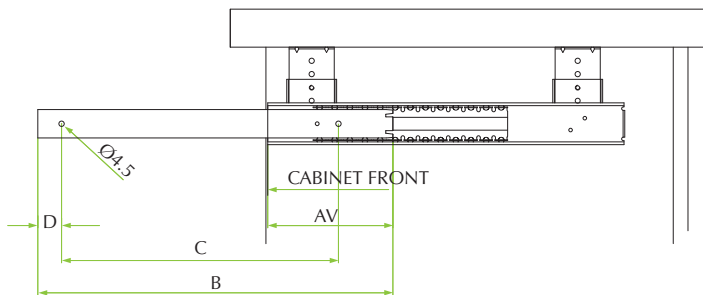


<b>L</b>	300	350	400	450	500	550	600
<b>A</b>	224	288	320	384	416	480	480

<b>H</b>	59.9	71.1	82.3	93.5
----------	------	------	------	------

**L** = COMFY SLIDE NOMINAL LENGTH

## Shelf fixing dimensions



<b>L</b>	300	350	400	450	500	550	600
<b>B</b>	296.5	346.5	396.5	446.5	496.5	546.5	596.5
<b>C</b>	192	256	288	352	384	448	512
<b>D</b>	35.5	21.5	39.5	25.5	43.5	29.5	15.5
<b>AV</b>	102.5	102.5	102.5	102.5	102.5	102.5	102.5

**AV** = EXTENSION LOSS



## Comfy 145 full extension

### Benefits for the industry

- Useful progressive full extension ball bearing runners
- Fastened to drawer with chipboard screws
- Better sliding on steel ball bearings
- Unlocking device

### Benefits for the consumer

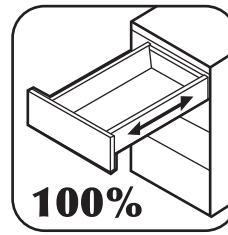
- Full extraction for improved accessibility and increased comfort
- Large range of depths from 250 to 700 mm
- Excellent load ability with 35kg dynamic standard capacity throughout the range

Code	Description	Packing
54.5145.07.250.00	Comfy 145 for 250mm deep drawer (1 pair)	10 pairs per box
54.5145.07.300.00	Comfy 145 for 300mm deep drawer (1 pair)	10 pairs per box
54.5145.07.350.00	Comfy 145 for 350mm deep drawer (1 pair)	10 pairs per box
54.5145.07.400.00	Comfy 145 for 400mm deep drawer (1 pair)	10 pairs per box
54.5145.07.450.00	Comfy 145 for 450mm deep drawer (1 pair)	10 pairs per box
54.5145.07.500.00	Comfy 145 for 500mm deep drawer (1 pair)	10 pairs per box
54.5145.07.550.00	Comfy 145 for 550mm deep drawer (1 pair)	10 pairs per box
54.5145.07.600.00	Comfy 145 for 600mm deep drawer (1 pair)	10 pairs per box
54.5145.07.650.00	Comfy 145 for 650mm deep drawer (1 pair)	10 pairs per box
54.5145.07.700.00	Comfy 145 for 700mm deep drawer (1 pair)	10 pairs per box

Finish: zinate.

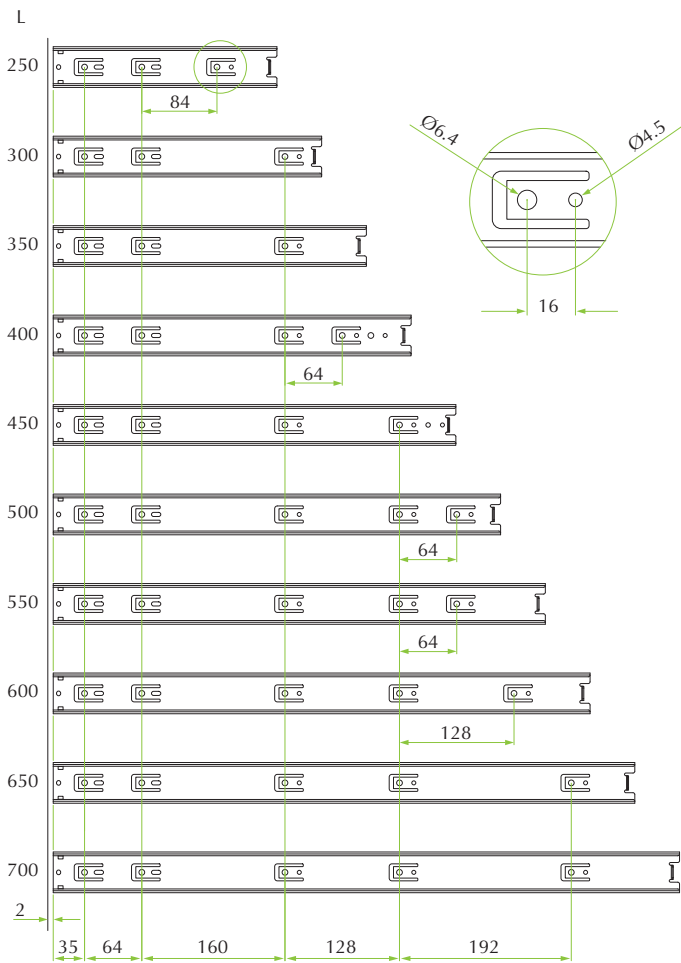


# Full extension side mount ball bearing slide

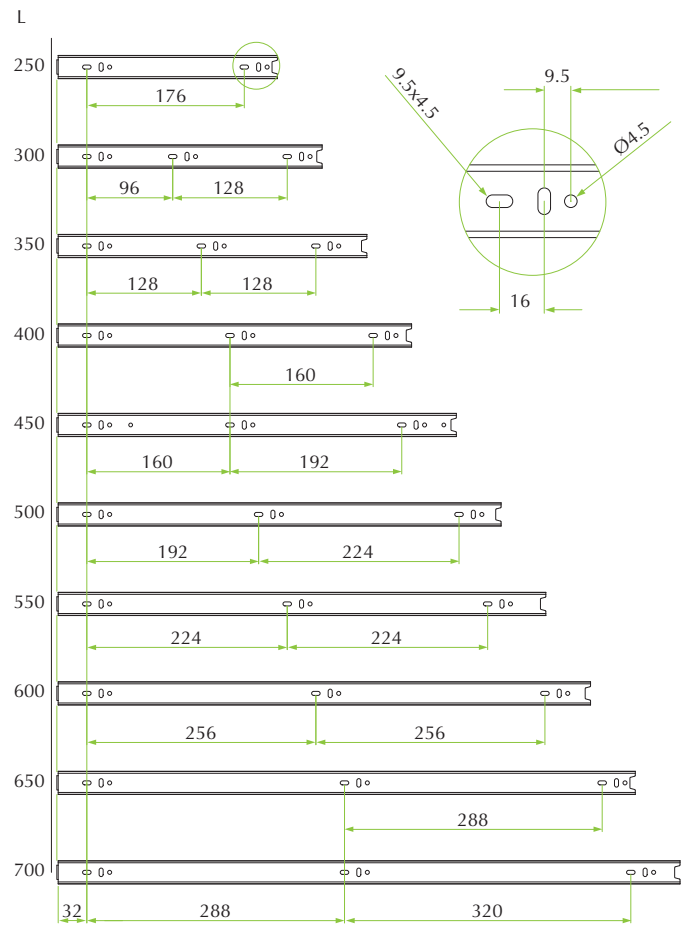


## Slides fixing dimensions

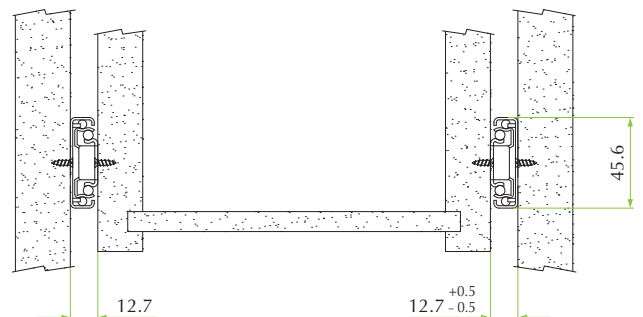
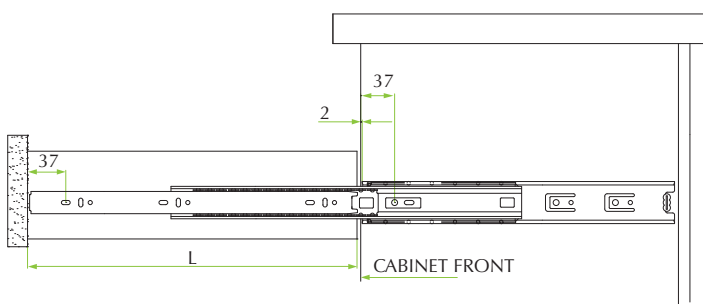
### CABINET MEMBER



### DRAWER MEMBER



## Drawer mounting & dimensions



# Comfy 145 SlowMotion



## Comfy 145 SlowMotion solution

### Benefits for the industry

- Damped solution with last generation technology
- Useful progressive full extension ball bearing runners
- Fastened to drawer with chipboard screws
- Better sliding on steel ball bearings
- Unlocking device

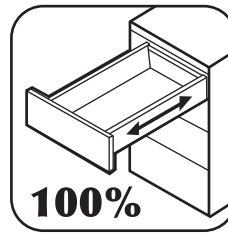
### Benefits for the consumer

- Silent and controlled
- Large range of depths from 350 to 700 mm
- Excellent load ability with 35kg dynamic standard capacity throughout the range

Code	Description	Packing
54.5145.C7.35X.00	Comfy 145 SlowMotion for 350mm deep drawer (1 pair)	10 pairs per box
54.5145.C7.40X.00	Comfy 145 SlowMotion for 400mm deep drawer (1 pair)	10 pairs per box
54.5145.C7.45X.00	Comfy 145 SlowMotion for 450mm deep drawer (1 pair)	10 pairs per box
54.5145.C7.50X.00	Comfy 145 SlowMotion for 500mm deep drawer (1 pair)	10 pairs per box
54.5145.C7.55X.00	Comfy 145 SlowMotion for 550mm deep drawer (1 pair)	10 pairs per box
54.5145.C7.60X.00	Comfy 145 SlowMotion for 600mm deep drawer (1 pair)	10 pairs per box
54.5145.C7.65X.00	Comfy 145 SlowMotion for 650mm deep drawer (1 pair)	10 pairs per box
54.5145.C7.70X.00	Comfy 145 SlowMotion for 700mm deep drawer (1 pair)	10 pairs per box

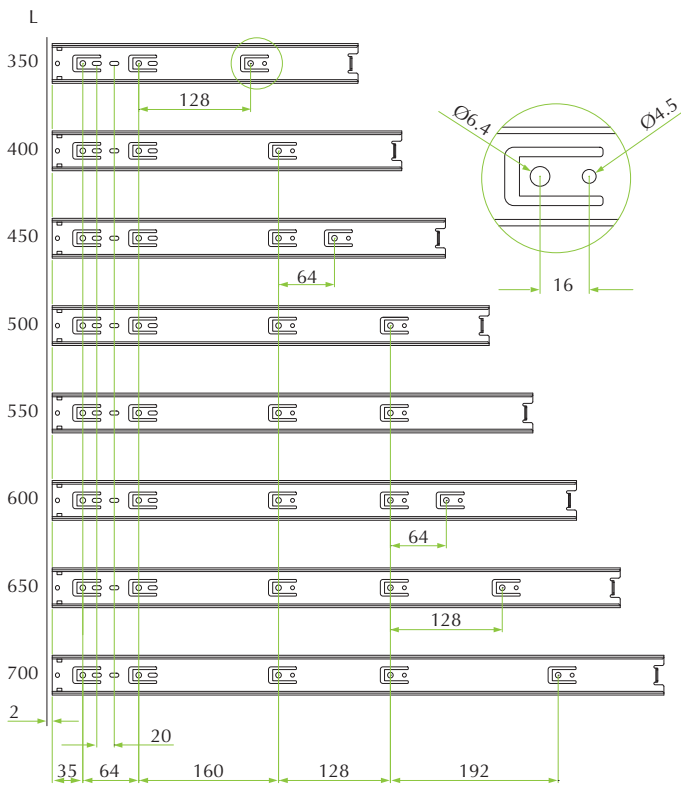
Finish: zincate.

# Full extension & SlowMotion ball bearing slide

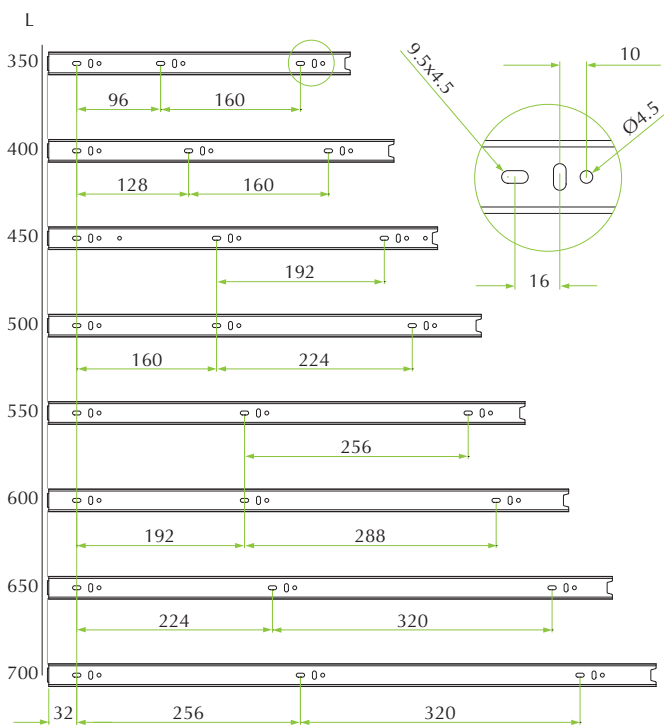


## Slides fixing dimensions

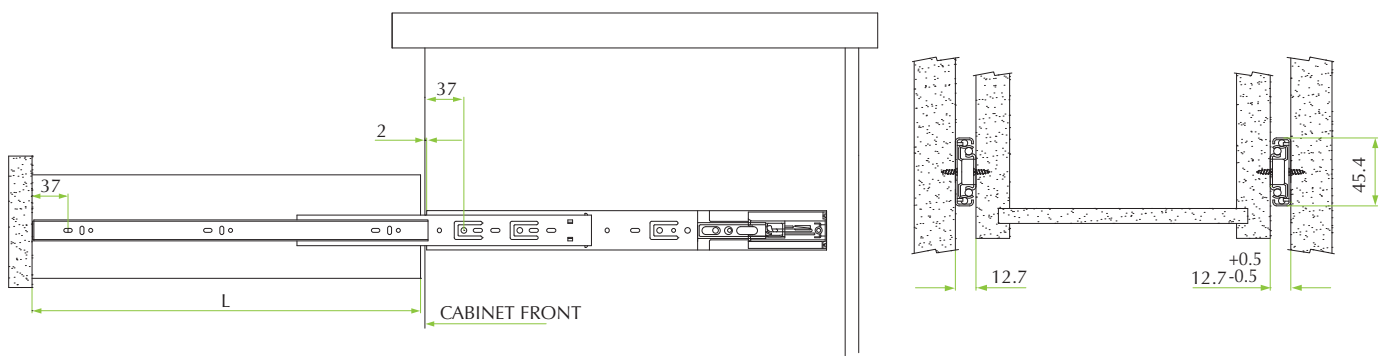
### CABINET MEMBER

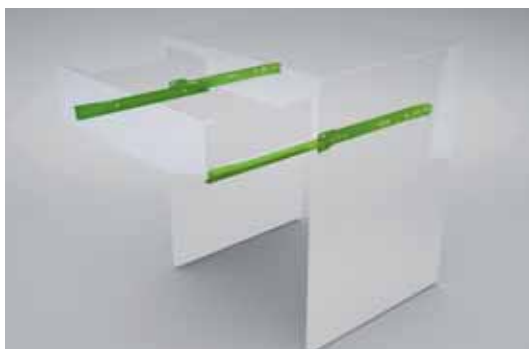


### DRAWER MEMBER



## Drawer mounting & dimensions





## Comfy 082 screw-on

### Benefits for the industry

- Large range of depths from 270 to 600 mm
- Choice of colours to match the furniture tone
- Tolerant, thanks to unilateral guiding constraint
- Ease of assembly on standard drawers
- Excellent load ability with 25kg dynamic standard capacity throughout the range
- Add-on SlowMotion<sup>FR</sup> damping with stop-close feature and FinalRelease feature

### Benefits for the consumer

- Lasting quality thanks to optimised materials
- Ease of extraction of drawer for cleaning
- Easy retrofit solution for DIY applications
- Adaptive SlowMotion<sup>FR</sup> damping for noiseless closing optional

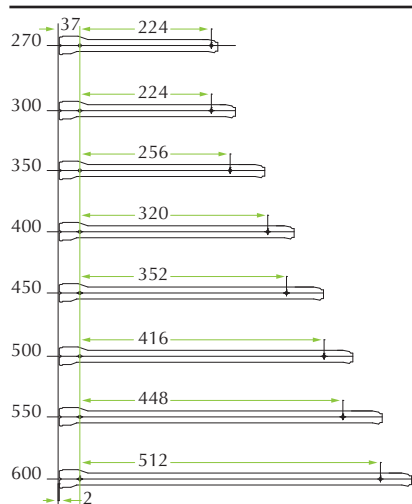
## SCREW FIXING VERSION

Code	Description
54.5082.0*.27.000•.0	Comfy 082 for 270mm deep drawer (1 set)
54.5082.0*.30.000•.0	Comfy 082 for 300mm deep drawer (1 set)
54.5082.0*.35.000•.0	Comfy 082 for 350mm deep drawer (1 set)
54.5082.0*.40.000•.0	Comfy 082 for 400mm deep drawer (1 set)
54.5082.0*.45.000•.0	Comfy 082 for 450mm deep drawer (1 set)
54.5082.0*.50.000•.0	Comfy 082 for 500mm deep drawer (1 set)
54.5082.0*.55.000•.0	Comfy 082 for 550mm deep drawer (1 set)
54.5082.0*.60.000•.0	Comfy 082 for 600mm deep drawer (1 set)

\* color finishes: 1 = White Ral 9010 / 2 = Brown Ral 8014 / 3 = Black Ral 9005 / 8 = Silver Ral 9006.  
 • packing: 0 = 4 boxes with 100 profiles each / 2 = 1 box with 25 sets taped.

## DOWEL FIXING VERSION

### Standard position for the dowels

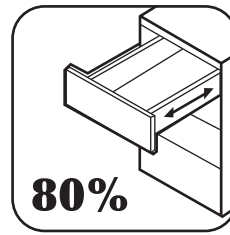


Code	Description	Packing
54.5084.-*.27.0000.0	Comfy 082 for 270mm deep drawer (1 set)	4 boxes with 100 profiles each
54.5084.-*.30.0000.0	Comfy 082 for 300mm deep drawer (1 set)	4 boxes with 100 profiles each
54.5084.-*.35.0000.0	Comfy 082 for 350mm deep drawer (1 set)	4 boxes with 100 profiles each
54.5084.-*.40.0000.0	Comfy 082 for 400mm deep drawer (1 set)	4 boxes with 100 profiles each
54.5084.-*.45.0000.0	Comfy 082 for 450mm deep drawer (1 set)	4 boxes with 100 profiles each
54.5084.-*.50.0000.0	Comfy 082 for 500mm deep drawer (1 set)	4 boxes with 100 profiles each
54.5084.-*.55.0000.0	Comfy 082 for 550mm deep drawer (1 set)	4 boxes with 100 profiles each
54.5084.-*.60.0000.0	Comfy 082 for 600mm deep drawer (1 set)	4 boxes with 100 profiles each

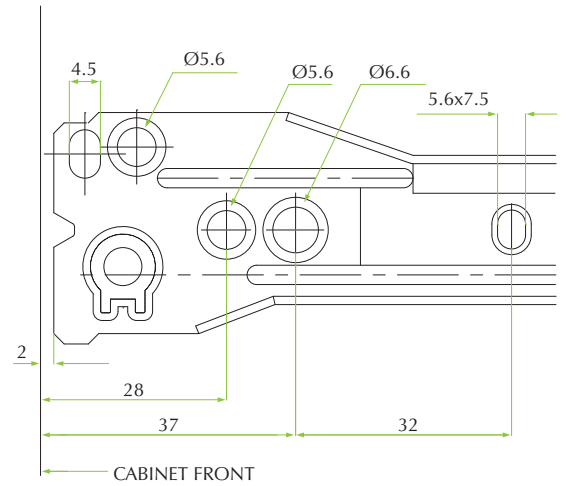
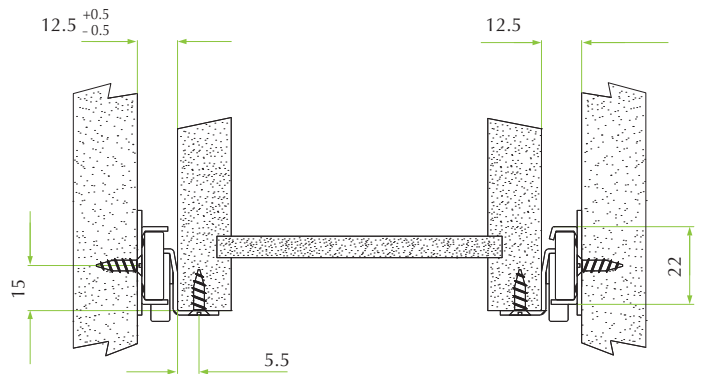
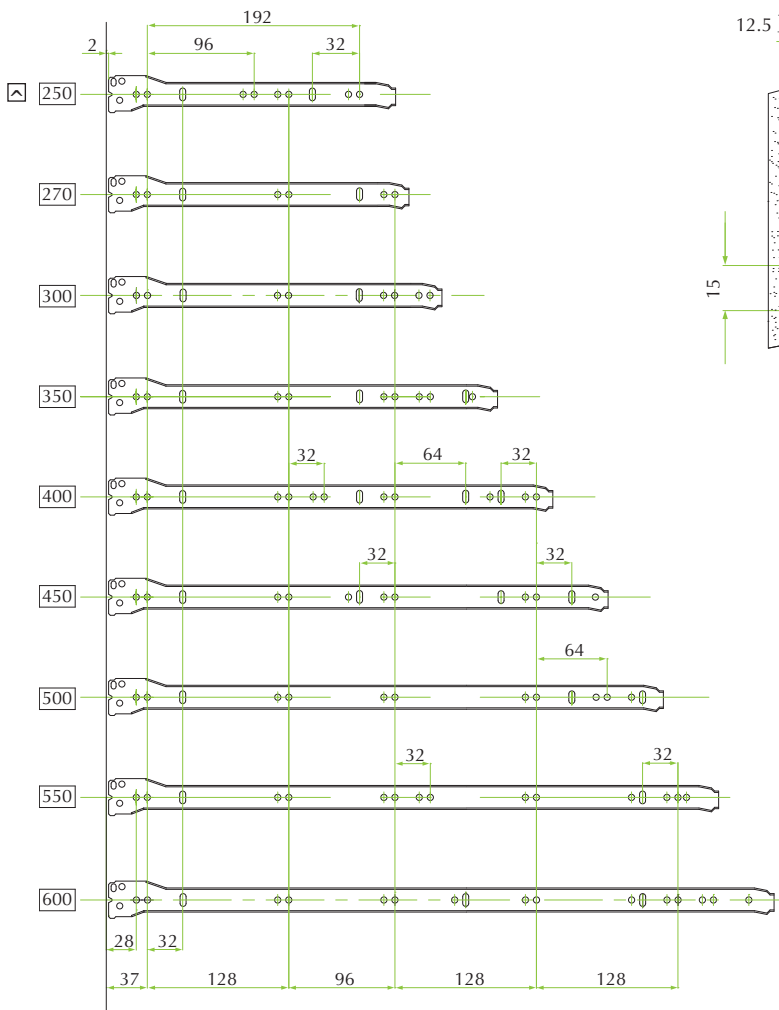
- dowel: A = 8x11 / D = 8x8 / O = 10x10.

\* color finishes: 1 = White Ral 9010 / 2 = Brown Ral 8014 / 3 = Black Ral 9005 / 8 = Silver Ral 9006.

# Single extension bottom mount roller slide



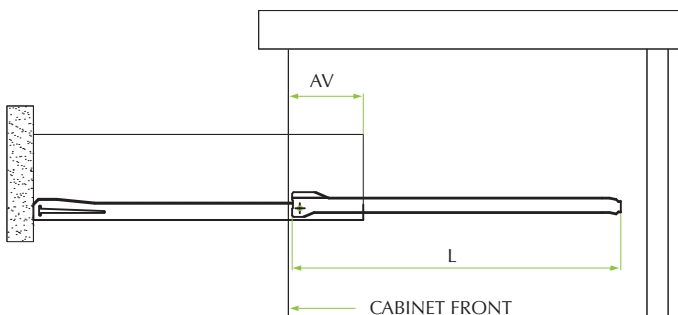
## Slides fixing dimensions



☒ = ON DEMAND

Products could have pilot holes not shown in the drawings which are not contractual

## Drawer mounting & dimensions

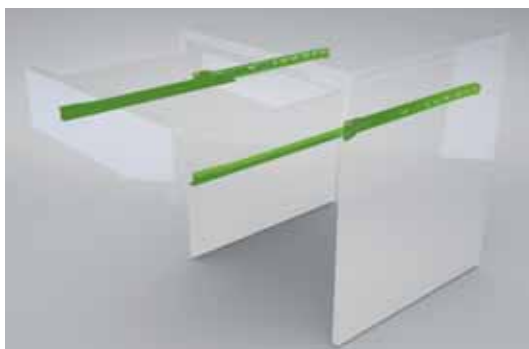


L	270	300	350	400	450	500	550	600
AV	90	90	90	100	100	100	118	118

L = COMFY SLIDE NOMINAL LENGTH  
AV = EXTENSION LOSS

Values given in mm

323



## Comfy R82 crimp fixing

### Benefits for the industry

- Large range of depths from 270 to 550 mm
- Choice of colours to match the furniture tone
- Tolerant, thanks to unilateral guiding constraint
- Ease of assembly thanks to crimp-on feature
- Excellent load ability with 25kg dynamic standard capacity throughout the range
- Add-on SlowMotion<sup>FR</sup> damping with stop-close feature and FinalRelease feature

### Benefits for the consumer

- Lasting quality thanks to optimised materials
- Ease of extraction of drawer for cleaning
- Easy retrofit solution for DIY applications
- Adaptive SlowMotion<sup>FR</sup> damping for noiseless closing optional

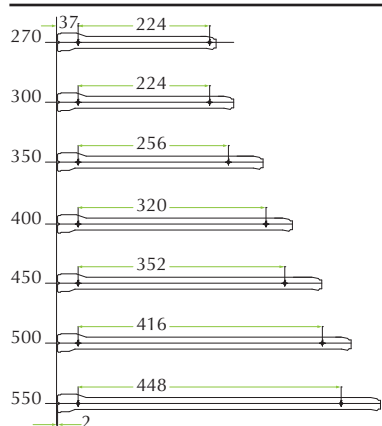
## SCREW FIXING VERSION

Code	Description	Packing
54.5R82.0*.27.N000.0	Comfy R82 for 270mm deep drawer (1 set)	4 boxes with 100 profiles each
54.5R82.0*.30.N000.0	Comfy R82 for 300mm deep drawer (1 set)	4 boxes with 100 profiles each
54.5R82.0*.35.N000.0	Comfy R82 for 350mm deep drawer (1 set)	4 boxes with 100 profiles each
54.5R82.0*.40.N000.0	Comfy R82 for 400mm deep drawer (1 set)	4 boxes with 100 profiles each
54.5R82.0*.45.N000.0	Comfy R82 for 450mm deep drawer (1 set)	4 boxes with 100 profiles each
54.5R82.0*.50.N000.0	Comfy R82 for 500mm deep drawer (1 set)	4 boxes with 100 profiles each
54.5R82.0*.55.N000.0	Comfy R82 for 550mm deep drawer (1 set)	4 boxes with 100 profiles each

\* color finishes: 1 = White Ral 9010 / 2 = Brown Ral 8014 / 3 = Black Ral 9005 / 8 = Silver Ral 9006.

## DOWEL FIXING VERSION

### Standard position for the dowels

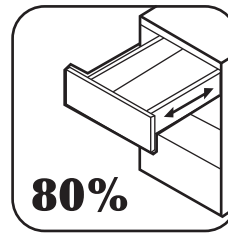


Code	Description	Packing
54.5R84.-*.27.N000.0	Comfy R82 for 270mm deep drawer (1 set)	4 boxes with 100 profiles each
54.5R84.-*.30.N000.0	Comfy R82 for 300mm deep drawer (1 set)	4 boxes with 100 profiles each
54.5R84.-*.35.N000.0	Comfy R82 for 350mm deep drawer (1 set)	4 boxes with 100 profiles each
54.5R84.-*.40.N000.0	Comfy R82 for 400mm deep drawer (1 set)	4 boxes with 100 profiles each
54.5R84.-*.45.N000.0	Comfy R82 for 450mm deep drawer (1 set)	4 boxes with 100 profiles each
54.5R84.-*.50.N000.0	Comfy R82 for 500mm deep drawer (1 set)	4 boxes with 100 profiles each
54.5R84.-*.55.N000.0	Comfy R82 for 550mm deep drawer (1 set)	4 boxes with 100 profiles each

- dowel: A = 8x11 / D = 8x8 / O = 10x10.

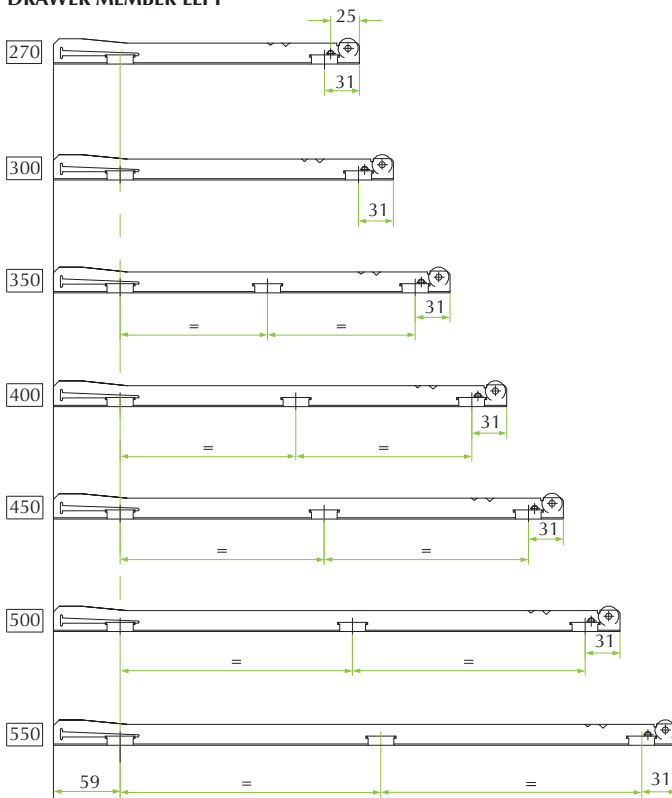
\* color finishes: 1 = White Ral 9010 / 2 = Brown Ral 8014 / 3 = Black Ral 9005 / 8 = Silver Ral 9006.

# Single extension bottom mount roller slide

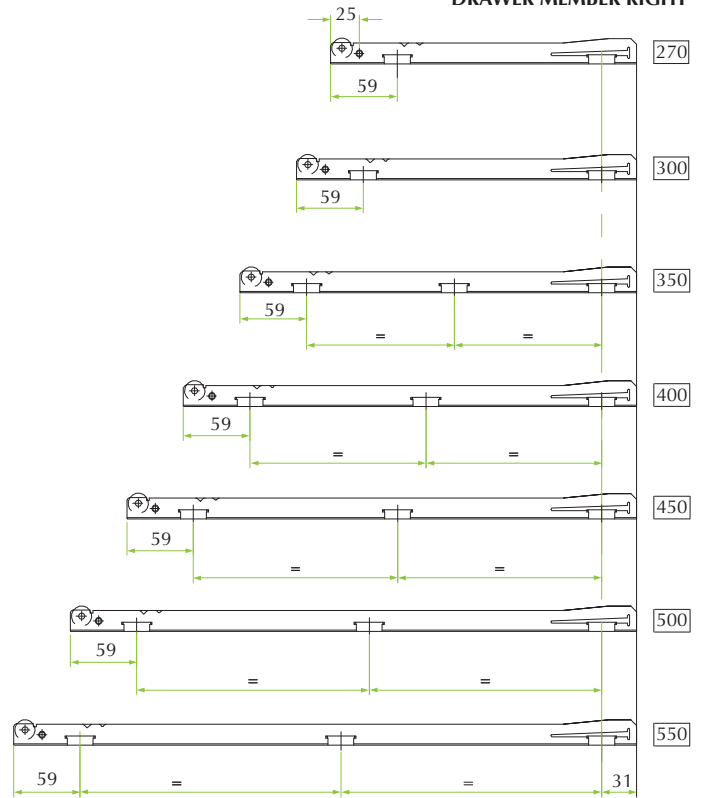


Slides fixing dimensions (For cabinet members, see page 323 / Comfy 082)

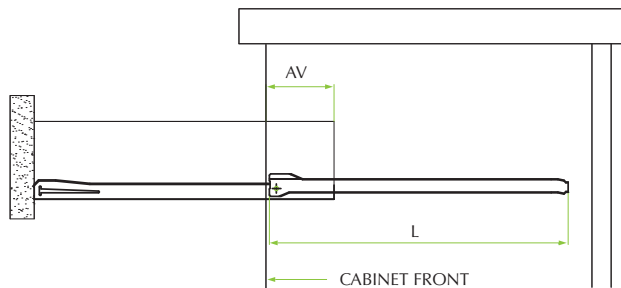
## DRAWER MEMBER LEFT



## DRAWER MEMBER RIGHT

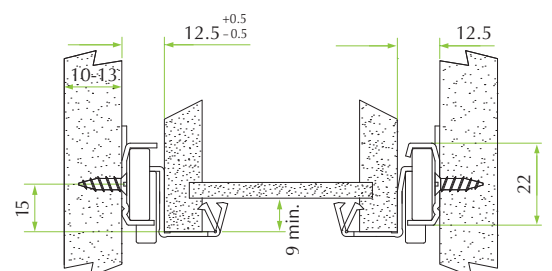
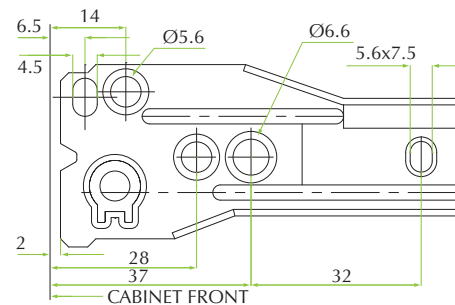


## Drawer mounting & dimensions



L	270	300	350	400	450	500	550
AV	90	90	90	100	100	100	118

L = COMFY SLIDE NOMINAL LENGTH  
AV = EXTENSION LOSS



Values given in mm

325

# SlowMotion Zeta ANYWAY



## Technical specifications:

- Solution for drawers equipped with Comfy 082/R82 roller slides
- Fully integrated dampened self-closing mechanism
- Silent closing movement and guaranteed pull close of the drawer
- Retrofit solution for all heights and depth of drawers
- Easy to use for drawers made in wood, chipboard or MDF
- Simple screw-on assembly on cabinet and drawer
- Damping effect to provide high-end feel to entry level drawers

### PACK IN KIT



### SLOWMOTION ZETA DAMPER



### SLOWMOTION ZETA BRACKETS



#### Code

59.072S.\*\*.Z0X.\_0C1

59.0720.01.Z0X.\_020

59.072S.\*\*.Z00.0020

*\*\*Colour of plastic brackets:*

*\*\*= 01 White RAL 9010*

*\*\*= 02 Brown RAL 8014*

*\*\*= 06 Grey RAL 7042.*

*\_ Damper Fixing:*

*\_ = 0 selftapping screws fixing 2x (Ø4x20 mm)*

*\_ = E euro screws fixing 2x (Ø6.3x20 mm)*

#### Description

Kit SlowMotion Zeta ANYWAY for Comfy 082 slides

SlowMotion Zeta ANYWAY Damper – White RAL 9010

Comfy 082 slide fixing bracket

#### Packing

200 kits per box

200 pieces per box

200 pieces per box

*Kit composed by:*

*1 Damper*

*1 Fixing bracket*

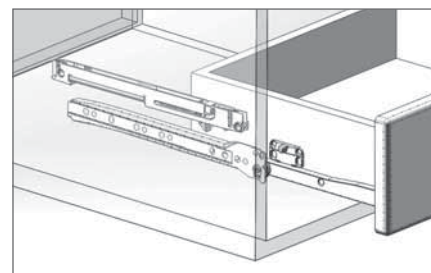
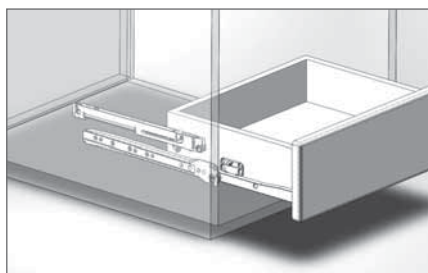
*1 Drilling template*

*Fixing screws.*

## Application:

### Number of SlowMotion Zeta ANYWAY recommended

Drawer	WIDTH					
	300 350	400 450	500	600	700	800 900
270	1	1	1	1	2	2
300	1	1	1	1	2	2
350	1	1	1	1	2	2
400	1	1	1	1	2	2
450	1	1	1	2	2	2
500	1	1	2	2	2	2
550	1	1	2	2	2	2
600	1	1	2	2	2	2

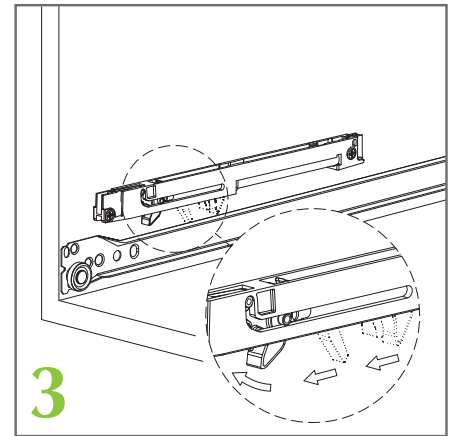
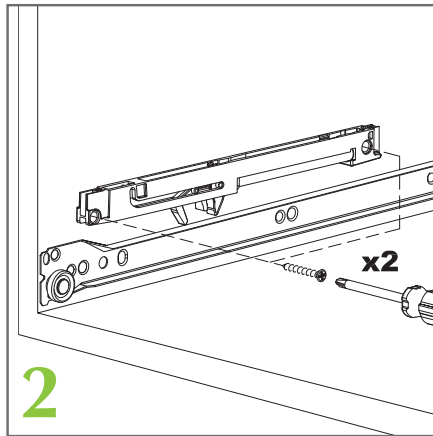
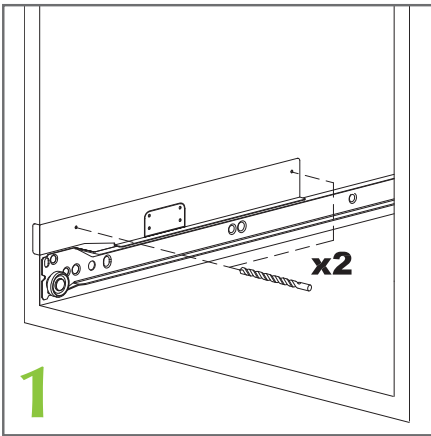




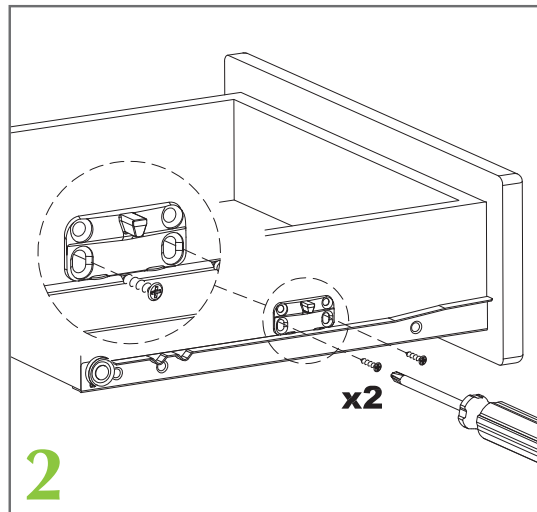
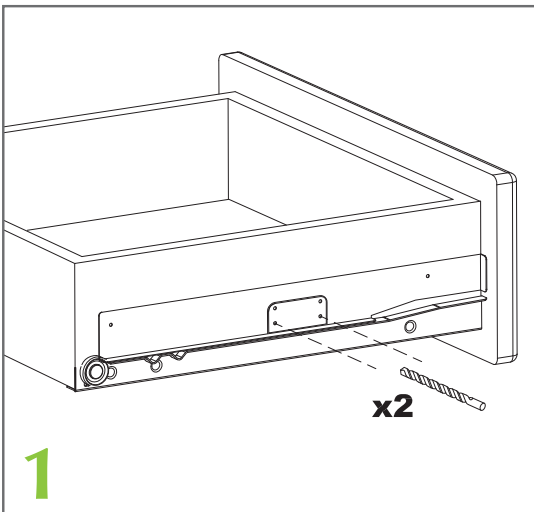


## Assembly:

### SlowMotion Zeta damper on the cabinet

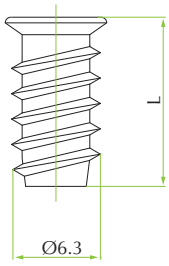


### SlowMotion Zeta brackets on the drawer



# Fittings

## Euro screw



### Code

1A.0751.01280CF

1A.0751.01180CF

### Description

Euro screw L=12

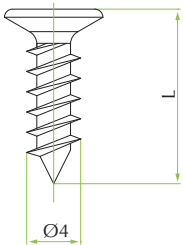
Euro screw L=10

### Packing

5.000 pieces per box

5.000 pieces per box

## Selftapping screw



### Code

1A.0350.34.150CF

1A.0350.34.250CF

### Description

Selftapping screw L=12

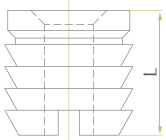
Selftapping screw L=15

### Packing

20.000 pieces per box

15.000 pieces per box

## Dowel



### Code

2H011070230CF

2H011070340CF

2H011070440CF

### Description

Dowel Ø8 x L11 - black plastic

Dowel Ø10 x L10 - white plastic

Dowel Ø10 x L7.5 - white plastic

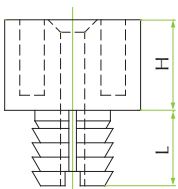
### Packing

10.000 pieces per box

10.000 pieces per box

10.000 pieces per box

## Dowel with spacer



### Code

2H019212810CF

2H019213060CF

2H019212860CF

2H019213460CF

2H019212760CF

### Description

Spacer H4 with dowel Ø10 x L10 - brown plastic

Spacer H5 with dowel Ø10 x L10 - brown plastic

Spacer H4 with dowel Ø10 x L10 - grey plastic

Spacer H4.5 with dowel Ø10 x L10 - grey plastic

Spacer H9 with dowel Ø8 x L8 - grey plastic

### Packing

10.000 pieces per box

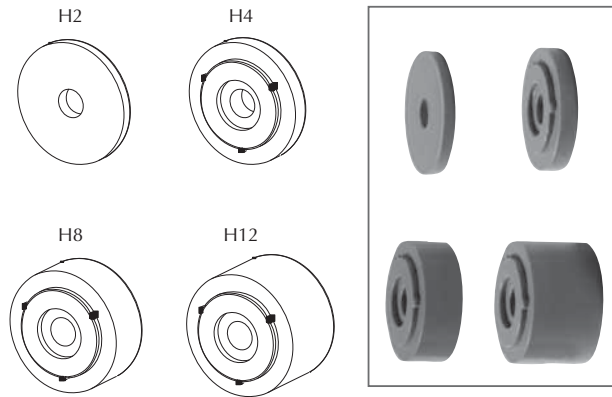
10.000 pieces per box

10.000 pieces per box

10.000 pieces per box

10.000 pieces per box

## Spacer



<u>Code</u>	<u>Description</u>	<u>Packing</u>
2H41774460CF	Spacer H2 - grey plastic	10.000 pieces per box
2H41774160CF	Spacer H4 - grey plastic	10.000 pieces per box
2H41774260CF	Spacer H8 - grey plastic	10.000 pieces per box
2H41774360CF	Spacer H12 - grey plastic	10.000 pieces per box