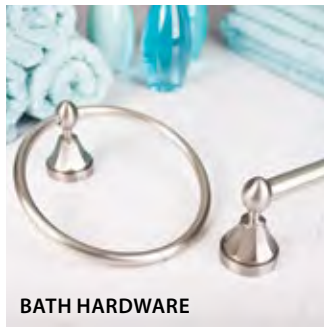




BATH VANITIES



BATH HARDWARE



HOOKS



KNOBS & PULLS



BARN DOOR HARDWARE

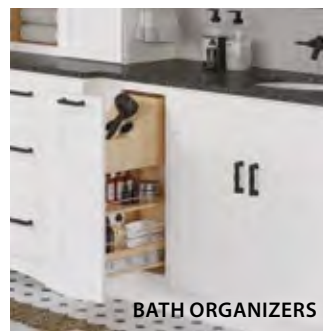
# DECORATIVE PRODUCTS & ORGANIZATION 2021



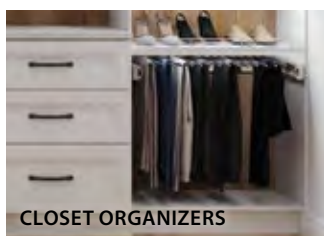
SINKS



KITCHEN ORGANIZERS



BATH ORGANIZERS



CLOSET ORGANIZERS



LED LIGHTING & POWER



CABINETS

*hardware*  
**resources**<sup>®</sup>

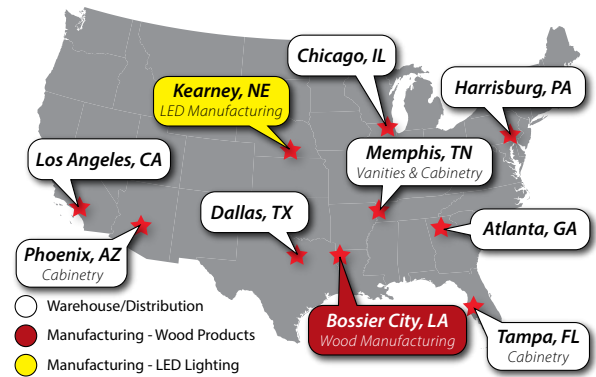
JEFFREY ALEXANDER<sup>®</sup>  
*by Hardware Resources*

ELEMENTS<sup>®</sup>  
*by Hardware Resources*

# hardware resources®

Founded in 1990, Hardware Resources is part of Dimora Brands, a leading manufacturer for the kitchen and bath industry.

Manufacturing facilities are located in Louisiana, Nebraska and around the world. Company-owned warehouses around the US ensure fast delivery, typically in 1-3 days. 99% of orders ship within 24 hours (unless custom built-to-order product).



## JEFFREY ALEXANDER® by Hardware Resources

A step above...in quality, selection and exclusive designs

- » Knobs & Pulls
- » Stainless Steel Sinks
- » Bath Vanities
- » Kitchen Islands

## ELEMENTS® by Hardware Resources

The essentials and more, priced right

- » Knobs & Pulls
- » Decorative Hooks
- » Bath Hardware

## hardware resources®

Everything for the cabinets, sold direct to our dealers, for greater efficiency, faster delivery, outstanding service, and best value

- » Cabinet Organizers
- » Closet Organizers
- » Functional Cabinet Hardware
- » Decorative Wood & Linear Moulding
- » Mitered Cabinet Doors & Dovetail Drawer Boxes

## NORTH POINT CABINETRY®

Made in North America, a wide array of fast to assemble cabinets, providing value with a quality, custom look

- » Kitchen cabinets
- » Bath vanity cabinets

## TASK lighting

Angle Power Strip products for tucked-away electrical outlets

- » Angle Power Strip
- » Lighted Power Strip

Professional-grade LED lighting, 90+ CRI and UL Listed

- » LED Lighting Fixtures
- » LED Tape Lighting
- » LED Tape Lighting Kits
- » Puck Lighting
- » Commercial LED Products

# DIMORA BRANDS®

Dimora Brands operates leading brands in cabinet hardware, functional hardware, door hardware, faucets, vanities, organizers, decorative wood, lighting, accessories, and related products. Its two operating divisions,

Top Knobs and Hardware Resources, are known for the industry's best product offering and service. Each Dimora Brands division proudly serves kitchen cabinet dealers, kitchen and bath showrooms, custom cabinet makers, independent hardware stores, other customers, and the design community. Dimora Brands' collection of industry-leading brands includes: Top Knobs, Atlas Homewares, Vesta, Watermark Designs, Water Street Brass, Du Verre, Hardware Resources, Jeffrey Alexander, Elements, Task Lighting, NorthPoint Cabinetry and KasaWare. More information is available at [DimoraBrands.com](http://DimoraBrands.com).

The Dimora Brands collection of industry-leading brands includes the following:



# hardware+resources

We're not just *hardware*,  
We're also *resources* to help you grow.

## Our resources for you...



### *A local Hardware Resources product specialist*

We have over 100 Hardware Resources sales professionals. They work and live in your community. They are experts in the products we manufacture. They know your market. They know you.

### *Get a live person on the phone, not a machine*

No one likes to talk to a machine. Call weekdays between 7am and 6pm Central Time and get a friendly live customer service representative, not a list of buttons to push.



### *Point-of-purchase displays help your prospect decide to buy today*

You want to close the deal while your prospect is in front of you. Ask about our displays, sales tools, literature, and posters.

### *Retail stocking displays for your cash-and-carry customers*

We have displays for knobs and pulls, bath hardware, builder hardware, cabinet organizers, and decorative wood.

### *Free Sample program for knobs and pulls*

Sometimes your customer wants a sample to take home. Our Free Sample program is the answer. Ask your Hardware Resources sales professional how to order.



# Table of Contents

## Knobs & Pulls

### Jeffrey Alexander

Aberdeen	23
Alvar <b>NEW FINISH</b>	24
Annadale	26
Anwick	28
Belcastel <b>NEW FINISH</b>	30
Bella	32
Bienville	34
Bordeaux	35
Boswell	36
Bremen 1	38
Bremen 2	40
Cairo	42
Callie <b>NEW FINISHES</b>	44
Carmen <b>NEW COLLECTION</b>	46
Chesapeake	48
Cordova	49
Delgado	50
Delmar	51
Dominique	52
Durham <b>NEW FINISH</b>	54
Duval	55
Elara	56
Ella	58
Evangeline	60
Glenmore	61

Harlow	62
Hayworth <b>NEW FINISHES</b>	64
Hudson	66
Katharine	68
Key Grande	70
Key West & Key Largo	72
Lafayette	74
Lenoir	75
Lexa	76
Leyton <b>NEW FINISH</b>	78
Lille	80
Lyon	81
Marie <b>NEW COLLECTION</b>	82
Marlo	84
Maybeck	86
Merrick	88
Milan <b>NEW FINISH</b>	90
Mirada	92
Modena	94
Philip	96
Prestige	95
Rae	98
Regan <b>NEW FINISH</b>	100
Rhodes	101
Roman	102
Royce	104
Solana	105
Sonoma	106
Sullivan	108
Sutton	110
Symphony	112
Tahoe	114

Tiffany	116
Tuscany	118
Wheeler	120
Zurich	119
Zane <b>NEW FINISH</b>	122

### Elements

Aiden	128
Arcadia	130
Asher <b>NEW FINISH</b>	131
Belfast	132
Brenton <b>NEW FINISH</b>	133
Calloway	134
Capri	135
Cosgrove	136
Cypress	137
Drake	138
Edgefield	139
Florence	140
Gatsby <b>NEW FINISH</b>	141
Gibson <b>NEW COLLECTION</b>	142
Glendale	144
Hadly	146
Hammond <b>NEW FINISH</b>	145
Kenner <b>NEW FINISH</b>	148
Kingsport	149
Knox	150
Lindos	152
Madison	153
Merryville <b>NEW FINISH</b>	154
Naples <b>NEW FINISH</b>	156
Park	155

Seaver	158
Sedona <b>NEW FINISHES</b>	159
Slade	160
Somerset <b>NEW FINISHES</b>	161
Stanton	162
Strickland	164
Syracuse	165
Thatcher	166
Torino <b>NEW FINISH</b>	168
Verona	169
Vienna	170
Watervale	171
Westbury	172
Zachary <b>NEW FINISH</b>	173

### Accessories & Displays

Pull Escutcheons	174
Backplates	175
Latches	176
Finial Hinges	177
Drilling Jigs & Templates	178-179
Display Towers & Boards	180-201

### Resources

Index by Item Number	202-230
Finish Index by Collection	204-206
Finish Key	207
Care & Cleaning/Warranty	208

## Decorative Hooks

### Elements

YD50-518	212
YD45-431	212
YD60-550	213
YD35-556	213
YT40-400	214
YT40C-400	214
YD40-450	215
YD40-337	215
YD55-587	216
YD30-381	217
YD25-256	217
YD20-156	218
YD10-231	218
YD15-187	219
YS05-175	219
Care & Cleaning	220
Warranty	220

## Bath Hardware

### Elements

Bridgeport	222
Fairview	224
Newbury	226
Curved Shower Rods	228
Safety Grab Bars	229
Care & Cleaning	230
Warranty	230

## Barn Door Hardware

Matte Black kits	232
Stainless Steel Kits	234
Trial Order Program	236
Warranty	236

## Vanities & Islands

### Vanities **NEW PROGRAM**

Ordering	239
Vanity Index	
Jeffrey Alexander	240-241
Jeffrey Alexander Silver Label	242-243
Vanity Features & Part Number Key	244-245
New Green Finish Inspiration	246-247
Collections	
Jeffrey Alexander	248-265
Jeffrey Alexander Silver Label	266-278
Knob & Pull Options	279
Combinations Mood Board	280-281
Top & Bowl Information	
Vanity Top Overview	282-283
Vanity Top Materials	284-286
Bowls	287
Mirrors	288-289
Specifications	
Vanities	290-295
Tops	296-300
Care & Cleaning	302
Warranty	303

### Islands

Tuscan	.ISL01	306-307
Contemporary	.ISL07	308-309
Loft	.ISL12	310-311

# Table of Contents

## Kitchen Organizers

### Storage with Style®

Blind Corner Pullout <b>NEW</b> .....	330-331
Utensil Base Pullout <b>NEW</b> .....	332
Drawer Base Pullout.....	333
Base Pullout.....	334
Pot & Pan Organizer.....	335
Trash Can Pullout.....	336-337
Pullout Baskets.....	338-339

### Waste Container Organization

Wood Bottom Mount with Door Kit.....	342
Wood Bottom Mount.....	344
Metal Drawer Box Pullout <b>NEW</b> .....	345
Economy Soft-close Pullout <b>NEW</b> .....	346-347
Storage with Style® Trash Can Pullout.....	348-249
Wood Top Mount with Soft-close.....	350-351
Cans & Lids.....	352
Wire Bottom Mount.....	353

### Base Cabinet Organization

“No Wiggle” Pullout.....	357
“No Wiggle” Knife Block Pullout <b>NEW</b> .....	359
“No Wiggle” Utensil Pullout.....	360
“No Wiggle” Drawer Base Pullout.....	361
“No Wiggle” Tray Divider Pullout.....	362

“No Wiggle” Base Filler Pullouts.....	363
Peg Board Filler Pullout.....	364
Appliance Lift.....	365
Easy-to-Install Rollout Drawers.....	366-367
Build Your Own Rollouts.....	368
Quick Tray Pilaster System.....	369
Slide Mounting Kit for Ball Bearing Slides.....	370
Rear Mounting Bracket for undermount Slides.....	371
Dovetail Drawer Boxes & Linear Material.....	372-373

### Bathroom Organization

“No Wiggle” Vanity Pullout.....	380-381
Powered Vanity Drawer <b>NEW</b> .....	382-383
Wire Cleaning Supply Caddy.....	384
Wire Basket Rollout.....	385

### Corner Organization

Blind Corner Swingout.....	388-389
Blind Corner Sliding Door.....	390-391
Easy 360 Susan.....	392-393
Storage with Style® Blind Corner Pullout.....	394-395
Premium Wood Lazy Susan Kits.....	396-397
Premium Wood Lazy Susan Shelves & Poles.....	398-399
Premium Wood Swivel Lazy Susan.....	400
Economy Wire Swivel Lazy Susan.....	401
Economy Banded Swivel Lazy Susan.....	402
Economy Banded Lazy Susan Kits.....	403
Plastic Lazy Susan with Chrome Hub Kits.....	404
Economy Plastic Lazy Susan Kits.....	405
Plastic Pie-cut Lazy Susan.....	406
Half-moon Lazy Susan.....	407

### Pantry Organization

Premium Chrome Swingout.....	412-413
Premium Chrome Pullout.....	414
Wood Pullout.....	415
Wood Swingout.....	416
Wood Door Mount.....	417

### Drawer Organization

Peg Board Insert.....	420
Peg Board Accessories.....	421
Double Cutlery Drawer.....	422
Angled Cutlery Insert <b>NEW</b> .....	423
Cutlery Insert <b>NEW</b> .....	424-425
Knife Block Insert <b>NEW</b> .....	426
Spice Tray Insert <b>NEW</b> .....	427
Tipout Trays – Stainless Steel.....	428
Tipout Trays – White.....	429

### Wall Cabinet Organization

“No Wiggle” Wall Pullout.....	432
Wall Filler Pullout.....	433
Smart Rail® Storage Solution.....	434-437
Wire Tray Divider.....	438
Wooden Tray Divider.....	439
Door Mounted Spice Racks.....	440-441
Wooden Stemware Rack.....	442
Wooden Stemware Moulding.....	442
Wooden Bottle Lattice.....	443
Wire Stemware Rack.....	444
Wooden Bottle Rack.....	444

## 11 Minute Organizers

Pullout Baskets.....	447
Trash Can Pullouts.....	448
Trash Cans & Lids.....	449
Cleaning Supply Caddy.....	450
Pullout Pot Organizer.....	451
Pullout Lid Organizer.....	452
Door Mounted Tray System.....	452
Single Shelf Lazy Susan.....	453
3-Tier Spice Pulldown.....	454
Over the Door Towel Bar.....	455
Tipout Trays.....	456
Under Cabinet Stemware Rack.....	457
Under Cabinet Bottle Rack.....	457
U-Shaped Tray Divider.....	458
3-Tier Dishcloth Rack.....	458

## Closet Organizers

Shoe Fences.....	460
Pullout Baskets.....	461-463
Pullout Canvas Hamper.....	464
Pullout Plastic Hamper.....	465
Pullout Pant Rack.....	466
14” Belt & Tie Racks.....	467
Tri-Level Tie Organizer.....	468
Cascading Tie Organizer.....	469
12” Belt & Tie Racks, Valet Rod.....	470
Screw-Mount Racks.....	471
Telescoping Valet Rods.....	472
Jewelry Trays.....	473
Wardrobe Lifts.....	474-475
Laundry Valet.....	476
Hooks.....	477
Oval Closet Rods.....	478-479
Round Closet Rods.....	480-483
sempriaLED® Lighted Closet Rods.....	484-485
Lighted Closet Rod Profile <b>NEW</b> .....	486-487
Custom Dovetail Drawer Boxes.....	488-489
Shelf Supports.....	490-494
Heavy Duty Shelf Utility Bracket.....	494
Panel Connectors.....	495

## Sinks

### Stainless Steel Sinks

Premium Handmade.....	499
Premium Stainless Steel.....	503
Stainless Steel.....	504
Strainer.....	509

### Porcelain Sinks

Oval Vanity Sinks.....	511
Rectangular Vanity Sinks.....	511
Care & Cleaning.....	512
Warranty.....	512

**NORTH  
POINT**  
CABINETRY®

See page 513

**TASK**  
lighting

See page 535



## Carmen

see page 46-47



## Hayworth

see page 64-65



**Marie**  
see page 82-83



**Gibson**  
see page 142-143

## THE POWER OF

We understand that when it comes to creating a perfectly personalized space, options are of utmost importance. You now have the power to select the ideal vanity configuration that fits your personal style. Simply choose the style of vanity, vanity top, and bowl shape to complete a look that you love. **There are over 2,500 possible combinations!**



The Astoria collection is featured above to showcase the wide variety of combinations available.

Vanity styles range from classically ornate to sleek and airy. **11 top options in Quartz, Natural Stone, or Cultured Marble are available in all sizes.** Color choices range from deep, complex shades to medium, neutral tones to light and tranquil hues. Each vanity top is crafted with care and is available with either an oval or rectangle bowl cutout.

All vanities, vanity tops, bowls, and mirrors are stocked in our centrally-located warehouse.

**Orders typically ship within 24 hours.**





# ORDERING MADE EASY



## STEP 1

Select a vanity

- Begin creating the ideal vanity by choosing from 11 collections with a wide variety of sizes and trending finishes
- Pages 248-278



## STEP 2

Select a vanity top\* color & material

- Choose from 11 different top colors in 3 types of material
- Pages 282-286



\*Matching backsplash included

## STEP 3

Select a bowl

- Choose a rectangle or oval bowl; available for all vanity tops
- Page 287



## STEP 4

Select a mirror

- Choose a coordinating mirror to create the ideal bathroom space
- Pages 288-289



## COMPLETE THE LOOK

- Sidesplashes are available and will work on either side of the vanity top (see page 283 for more information)
- Check out our other product lines: Knobs & Pulls (pages 13-208) & Organizers (pages 313-496)

*Faucet not included with vanity purchase. Assembly required.*

# What's new in Organizers

---

## STORAGE with STYLE<sup>®</sup>

---



Blind Corner Pullout

see page 330



Utensil Base Pullout

see page 332



*Metal Drawer Box  
Trashcan Pullout*

see page 345



*Economy Soft-Close  
Trashcan Pullout*

see page 346



*"No Wiggle"  
Knife Block Pullout*

see page 359



**Powered Vanity  
Drawer Pullout**

see page 382



**Angled Cutlery  
Drawer Insert**

see page 423



**Cutlery  
Drawer Insert**

see pages 424-425



**Knife Block  
Drawer Insert**

see page 426



**Spice Rack  
Drawer Insert**

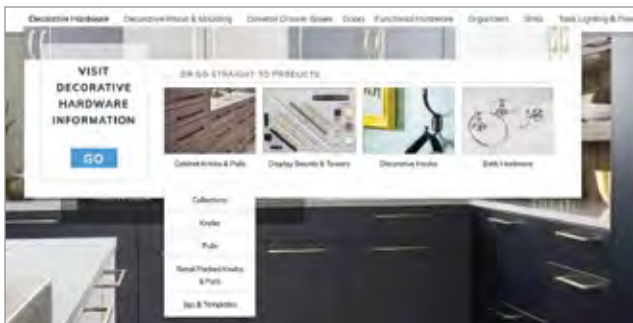
see page 427

# The New HardwareResources.com Website



## *Great Experience on all Devices*

No matter what device you are on, you will get an optimal experience on the new HR website. Great on laptops, great on tablets, great on mobile.



## *Learn More and Do More*

Choose to GO to information on the product line, or click on specific products.



## *Visual & Advanced Filtering*

Choose multiple filters to narrow down your results on the product listing pages.



## *Quick View gets you in and out faster*

Quick View lets you quickly order your products without ever going to the product detail page.



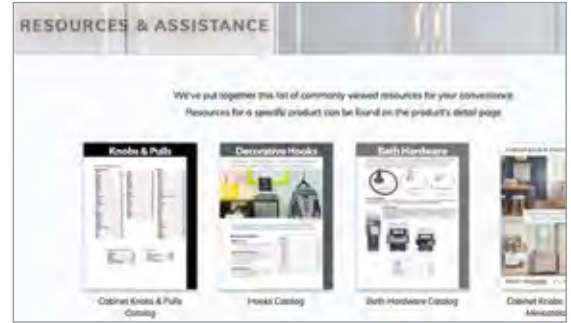
## *Product Detail page*

It's all in the details to make an informed purchase decision.



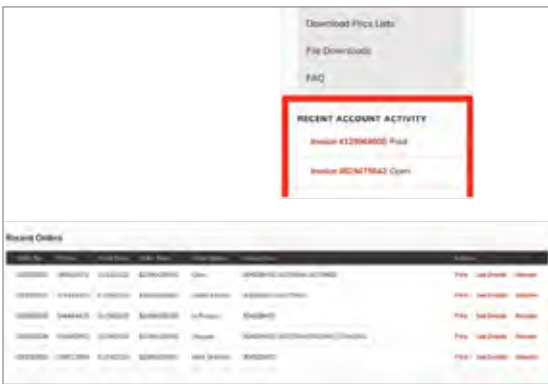
**Explore our Complete Product Offering with Visuals**

See our product offerings by Exploring our categories on the home page. Visual icons give instant recognition throughout the site.



**Use Resources to your advantage**

Use the Resources section at the bottom of the product line pages to see all the resources available to you.



**Dealer Dashboard Account Activity**

Stay on top of your recent order with updated status.



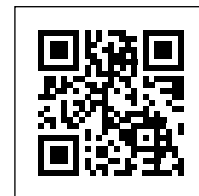
**Dealer Dashboard Account Management**

All the information you need at the tip of your fingertips: Manage your account contacts and see history and metrics.



**Orders Trail**

Easily follow your orders, shipments, invoices, and payments in one easy to ready layout.



**Start exploring today!**

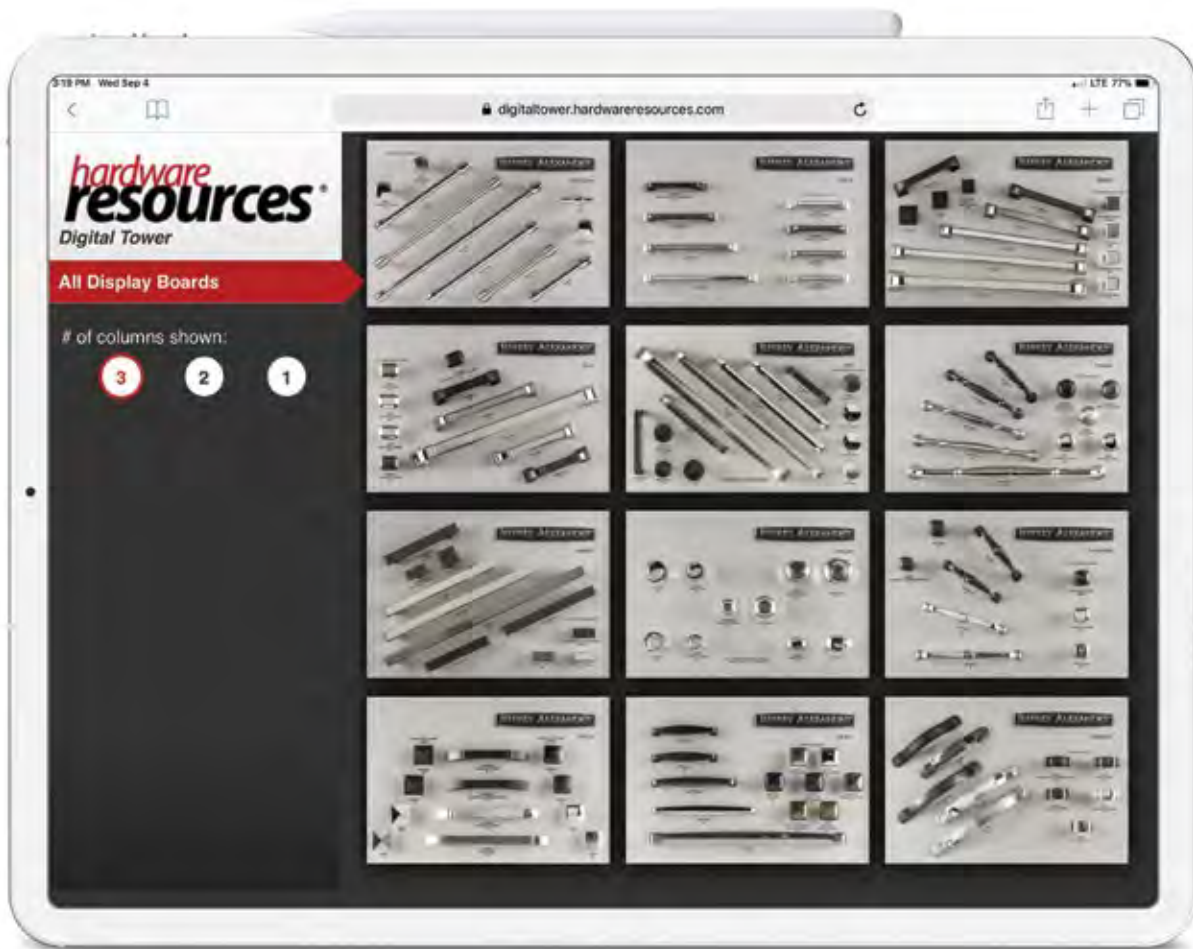
Scan the QR code with the camera on your tablet or phone to quickly access our new website.

# Expand your Showroom with our Digital Tower

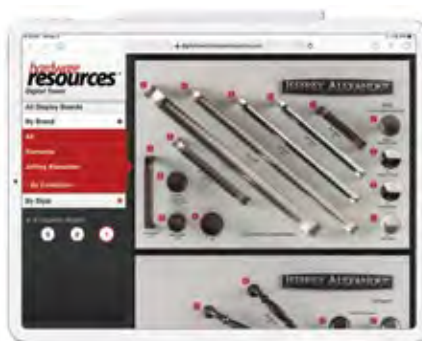
<https://DigitalTower.HardwareResources.com>

View all collection boards from Jeffrey Alexander and Elements, and click through to view product details and pricing!

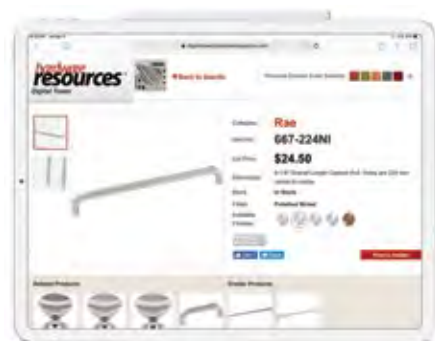
Scan to visit the  
**Digital Tower**  
<http://delivr.com/2CG99>



Sort by brand or style



View large images of display boards



Tap a knob or pull to view detailed product information and list pricing

# Knobs & Pulls

## Knob & Pull Collections

### Jeffrey Alexander

Aberdeen	23
Alvar <b>NEW FINISH</b>	24
Annadale	26
Anwick	28
Belcastel 1 <b>NEW FINISH</b>	30
Bella	32
Bienville	34
Bordeaux	35
Boswell	36
Bremen 1	38
Bremen 2	40
Cairo	42
Callie <b>NEW FINISHES</b>	44
Carmen <b>NEW COLLECTION</b>	46
Chesapeake	48
Cordova	49
Delgado	50
Delmar	51
Dominique	52
Durham <b>NEW FINISH</b>	54
Duval	55
Elara	56
Ella	58
Evangeline	60
Glenmore	61
Harlow	62
Hayworth <b>NEW FINISHES</b>	64
Hudson	66
Katharine	68
Key Grande	70
Key West & Key Largo	72
Lafayette	74
Lenoir	75
Lexa	76
Leyton <b>NEW FINISH</b>	78
Lille	80
Lyon	81
Marie <b>NEW COLLECTION</b>	82
Marlo	84

Maybeck	86
Merrick	88
Milan 1 <b>NEW FINISH</b>	90
Mirada	92
Modena	94
Philip	96
Prestige	95
Rae	98
Regan <b>NEW FINISH</b>	100
Rhodes	101
Roman	102
Royce	104
Solana	105
Sonoma	106
Sullivan	108
Sutton	110
Symphony	112
Tahoe	114
Tiffany	116
Tuscany	118
Wheeler	120
Zurich	119
Zane <b>NEW FINISH</b>	122

### Elements

Aiden	128
Arcadia	130
Asher <b>NEW FINISH</b>	131
Belfast	132
Brenton <b>NEW FINISH</b>	133
Calloway	134
Capri	135
Cosgrove	136
Cypress	137
Drake	138
Edgefield	139
Florence	140
Gatsby <b>NEW FINISH</b>	141
Gibson <b>NEW COLLECTION</b>	142
Glendale	144
Hadly	146
Hammond <b>NEW FINISH</b>	145
Kenner <b>NEW FINISH</b>	148
Kingsport	149
Knox	150
Lindos	152
Madison	153
Merryville <b>NEW FINISH</b>	154
Naples <b>NEW FINISH</b>	156
Park	155
Seaver	158
Sedona <b>NEW FINISHES</b>	159
Slade	160
Somerset <b>NEW FINISHES</b>	161
Stanton	162
Strickland	164
Syracuse	165
Thatcher	166
Torino <b>NEW FINISH</b>	168
Verona	169
Vienna	170
Watervale	171
Westbury	172
Zachary <b>NEW FINISH</b>	173

## Accessories & Displays

Pull Escutcheons	174
Backplates	175
Latches	176
Finial Hinges	177
Drilling Jigs & Templates	178-179
Display Towers & Boards	180-201

## Resources

Index by Item Number	202-230
Finish Index by Collection	204-206
Finish Key	207
Care & Cleaning/Warranty	208



## Carmen

see page 46-47

*2021 New collection*







**Hayworth**  
see page 64-65

*New finishes*





## Marie

see page 82-83

*New collection*





## Gibson

see page 142-143

*New collection*



More finishes for our most popular collections



Collection	Brushed Gold (BG)	Matte Black (MB)	Satin Bronze (SBZ)	See Page...
Alvar		NEW	✓	24
Annadale		✓		26
Belcastel 1		NEW	✓	30
Bordeaux		✓		35
Boswell		✓		36
Bremen 1			✓	38
Callie		NEW	NEW	44
Carmen	NEW	NEW	NEW	46
Dominique	✓	✓	✓	52
Durham		NEW		54
Elara		✓	✓	56
Hayworth	NEW	NEW	NEW	64
Key Grande	✓			70
Key West & Key Largo	✓		✓	72
Lenoir		✓		75
Leyton		NEW	✓	78
Lyon	✓	✓	✓	81
Marie		NEW	NEW	82
Merrick		✓	✓	88
Milan 1		NEW		90
Mirada		✓		92
Philip	✓		✓	96
Regan		NEW		100
Roman	✓		✓	102
Sonoma		✓		106
Sullivan		✓		108
Sutton	✓	✓	✓	110
Tiffany	✓		✓	116
Wheeler	✓	✓	✓	120
Zane		NEW		122

More finishes for our most popular collections



Collection	Brushed Gold (BG)	Matte Black (MB)	Satin Bronze (SBZ)	See Page...
Asher		NEW		131
Belfast		✓		132
Brenton		NEW		133
Edgefield		✓		139
Florence		✓	✓	140
Gatsby		NEW		141
Gibson	NEW	NEW	NEW	142
Glendale		✓	✓	144
Hadly	✓	✓	✓	146
Hammond		NEW		145
Kenner		NEW		148
Knox		✓		150
Madison	✓	✓	✓	153
Merryville		NEW		154
Naples	✓	✓	✓	156
Sedona		NEW	NEW	159
Somerset		NEW	NEW	161
Stanton	✓	✓	✓	162
Thatcher	✓	✓	✓	166
Torino		NEW		168
Verona		✓		169
Zachary		NEW		173



Aberdeen  
page 23



Aberdeen  
page 23



Alvar  
page 24



Annadale  
page 26



Annadale  
page 26



Anwick  
page 28



Belcastel 1  
page 30



Bella  
page 32



Bienville  
page 34



Bordeaux  
page 35



Boswell  
page 36



Bremen 1  
page 38



Bremen 2  
page 40



Cairo  
page 42



Callie  
page 44



Carmen **NEW**  
page 46



Chesapeake  
page 48



Cordova  
page 49



Delgado  
page 50



Delmar  
page 51



Dominique  
page 52



Durham  
page 54



Duval  
page 55



Elara  
page 56



Ella  
page 58



Evangeline  
page 60



Glenmore  
page 61



Glenmore  
page 61



Hawthorn  
page 64



Hudson  
page 66



Katharine  
page 68



Key Grande  
page 70



Key West & Key Largo  
page 72



Lafayette  
page 74



Lenoir  
page 75



Lexa  
page 76



Leyton  
page 78



Lille  
page 80



Lille  
page 80



Lyon  
page 81



Marie **NEW**  
page 82



Marlo  
page 84



Maybeck  
page 86



Merrick  
page 88



Milan 1  
page 90



Mirada  
page 92



Modena  
page 94



Philip  
page 96



Prestige  
page 95



Rae  
page 98



Regan  
page 100



Rhodes  
page 101



Roman  
page 102



Royce  
page 104



Solana  
page 105



Sonoma  
page 106



Sullivan  
page 108



Sutton  
page 110



Symphony  
page 112



Tahoe  
page 114



Tiffany  
page 116



Tuscany  
page 118



Tuscany  
page 188



Wheeler  
page 120



Zane  
page 122



Zurich  
page 119



Zurich  
page 119



Aberdeen  
page 23



Aberdeen  
page 23



Annadale  
page 26



Annadale  
page 26



Anwick  
page 28



Anwick  
page 28



Belcastel 1  
page 30



Bella  
page 32



Bella  
page 32



Bienville  
page 34



Bordeaux  
page 35



Bremen 1  
page 38



Bremen 2  
page 40



Bremen 2  
page 40



Cairo & Royce  
page 42 & 104



Carmen **NEW**  
page 46



Carmen **NEW**  
page 46



Chesapeake  
page 48



Chesapeake & Cordova  
page 48



Cordova  
page 49



Cordova  
page 49



Delgado  
page 50



Delmar  
page 51



Dominique  
page 52



Dominique  
page



Durham  
page 54



Duval  
page 55



Elara  
page 56



Ella  
page 58



Evangeline  
page 60



Glenmore  
page 61



Harlow  
page 62



Harlow  
page 62



Harlow  
page 62



Harlow  
page 62



Harlow  
page 62



Hayworth  
page 64



Hayworth  
page 64



Hudson  
page 66



Katharine  
page 68



Key West & Key Largo  
page 72



Lafayette  
page 74



Lafayette  
page 74



Lafayette  
page 74



Lenoir  
page 75



Lexa  
page 76



Lille  
page 80



Lyon  
page 81



Marie **NEW**  
page 82



Marlo  
page 84



Maybeck  
page 86



Milan 1  
page 90



Mirada  
page 92



Modena  
page 94



Philip  
page 96



Prestige  
page 95



Prestige  
page 95



Rae  
page 98



Rhodes  
page 101



Roman  
page 102



Solana  
page 105



Solana  
page 105



Sonoma & Royce  
page 106 & 104



Sullivan  
page 108



Symphony  
page 112



Symphony  
page 112



Tahoe  
page 114



Tiffany  
page 116



Tuscany  
page 118



Wheeler  
page 120



Zane  
page 122



Zurich  
page 119



## A step above...in Quality, Selection, & Designs

### **Quality**

All our products are manufactured from the highest quality materials and undergo meticulous examination to ensure only the best products reach your door. We believe strongly in the quality, integrity, and reliability of our products and offer a lifetime warranty on all Jeffrey Alexander decorative hardware (see page 208).

### **Selection**

Jeffrey Alexander offers 60+ patented and original collections plus a variety of industry standard designs in a wide range of styles and finishes. With extended lengths as well as appliance handles available in many of our collections, there's something for everyone.

### **Designs**

Inspiration comes from the latest styles in interior design to the newest fashion trends on the runway. That inspiration is creatively transformed into beautiful hardware for any kitchen, bath, or home project. Our designs are heavier in weight with solid or flat backs, not hollow backs, adding a touch of luxury while providing a comfortable feel in your hand.





536-128BNBDL



535-160SN



536-96DBAC



535-128-BNBDL



535L-DBAC



535DBAC



535-96BNB



535L-BNB



535L-BNBDL



535L-SN

Knobs	Description	Overall Length	Width at Center	Projection	Hand Space	Foot Width	Foot Length	Inner Box	Price Code
535	square knob	1-1/4"	1-1/4"	1-1/4"	9/16"	3/4"	3/4"	20	[F]
535L	rectangle knob	1-1/2"	7/8"	1-1/4"	9/16"	3/4"	3/4"	20	[F]

Pulls	Center-to-Center	Overall Length	Width at Center	Projection	Hand Space	Foot Width	Foot Length	Inner Box	Price Code
535-96	96 mm (3-3/4") CC	5"	7/8"	1"	13/16"	1-1/4"	1"	10	[H]
536-96	96 mm (3-3/4") CC cup pull	5"	1-1/16"	1-1/16"	7/8"	1-1/4"	5"	10	[H]
535-128	128 mm (5-1/16") CC	6-1/4"	7/8"	1-1/16"	7/8"	1-1/4"	1"	10	[J]
536-128	128 mm (5-1/16") CC cup pull	6-1/4"	1-1/16"	1-1/16"	15/16"	1-1/4"	6-1/4"	10	[K]
535-160	160 mm (6-5/16") CC	7-5/8"	7/8"	1-1/16"	7/8"	1-1/4"	1"	10	[K]

Display	Description
DB983-GRY	Aberdeen hardware on Designer Grey display board, 16"W x 11"H

**Finishes**



**BNB** Brushed Black Nickel  
**BNBDL** Brushed Pewter  
**DBAC** Brushed Oil Rubbed Bronze  
**SN** Satin Nickel



PATENTED

D708,927; D707,098;  
D722,483; D710,674

# Alvar

*New finish for 2021*



Pulls	Center-to-Center	Overall Length	Width at Center	Projection	Hand Space	Foot Width	Foot Length	Inner Box	Price Code
264-3	3" CC	3-11/16"	3/8"	1-1/16"	13/16"	3/8"	5/8"	20	[D]
264-96	96 mm (3-3/4") CC	4-7/16"	3/8"	1-1/16"	13/16"	3/8"	5/8"	20	[E]
264-128	128 mm (5-1/16") CC	5-3/4"	3/8"	1-1/16"	13/16"	3/8"	5/8"	20	[E]
264-160	160 mm (6-5/16") CC	7"	3/8"	1-1/16"	13/16"	3/8"	5/8"	10	[F]
264-192	192 mm (7-9/16") CC	8-1/4"	3/8"	1-1/16"	13/16"	3/8"	5/8"	10	[G]

**Display**      **Description**  
 DB801-GRY      Alvar hardware on Designer Grey display board, 16"W x 11"H



**GRACEFUL**

The curved profile of Alvar is a graceful yet straightforward, contemporary look that is particularly enchanting. With the help of various lengths and finishes, this pull collection blends well with raised panel, flat panel, and shaker style cabinets.



Shown in Polished Nickel

**Finishes**



**BNBDL**  
Brushed Pewter



**DBAC**  
Brushed Oil  
Rubbed Bronze



**MB NEW**  
Matte Black



**NI**  
Polished Nickel



**PC**  
Polished Chrome



**SBZ**  
Satin Bronze



**SN**  
Satin Nickel



Knobs	Description	Overall Length	Width at Center	Projection	Hand Space	Foot Width	Foot Length	Inner Box	Price Code
435	square knob	1-1/4"	1-1/4"	1-1/4"	9/16"	3/4"	3/4"	20	[F]
435L	rectangle knob	1-1/2"	7/8"	1-1/4"	9/16"	3/4"	3/4"	20	[F]

Pulls	Center-to-Center	Overall Length	Width at Center	Projection	Hand Space	Foot Width	Foot Length	Inner Box	Price Code
435-96	96 mm (3-3/4") CC	5"	7/8"	1-1/8"	7/8"	1-1/4"	1"	10	[G]
436-96	96 mm (3-3/4") CC cup pull	5"	1-1/16"	1-1/8"	15/16"	1-1/4"	5"	10	[H]
435-128	128 mm (5-1/16") CC	6-1/4"	7/8"	1-3/16"	15/16"	1-1/4"	1"	10	[J]
436-128	128 mm (5-1/16") CC cup pull	6-1/4"	1-1/16"	1-3/16"	15/16"	1-1/4"	6-1/4"	10	[K]
435-160	160 mm (6-5/16") CC	7-5/8"	7/8"	1-3/16"	15/16"	1-1/4"	1"	10	[K]

Display	Description
DB982-GRY	Annadale hardware on Designer Grey display board, 16"W x 11"H



D708,040; D708,926;  
D721,941; D711,722



**Shown in Brushed Oil Rubbed Bronze**

## INVITING

A wide square shape softened with a pillow top accent makes Annadale an inviting and strikingly beautiful choice. Standard pulls and cup pulls are available to add the finishing touch to shaker cabinets.

### Finishes



**BNBDL**  
Brushed Pewter



**DACM**  
Gun Metal



**DBAC**  
Brushed Oil  
Rubbed Bronze



**MB**  
Matte Black



**SN**  
Satin Nickel



Knobs	Description	Overall Length	Width at Center	Projection	Hand Space	Foot Width	Foot Length	Inner Box	Price Code
867	rectangle knob	1-3/8"	5/8"	1-1/16"	13/16"	5/8"	5/16"	30	[E]
867L	square knob	1-1/8"	1-1/8"	1-1/16"	13/16"	1-1/8"	5/16"	20	[E]

Pulls	Center-to-Center	Overall Length	Width at Center	Projection	Hand Space	Foot Width	Foot Length	Inner Box	Price Code
867-3	3" CC	4-5/16"	5/8"	1-1/16"	13/16"	5/8"	5/16"	10	[F]
867-96	96 mm (3-3/4") CC	5-1/8"	5/8"	1-1/16"	13/16"	5/8"	5/16"	10	[G]
867-128	128 mm (5-1/16") CC	6-3/8"	5/8"	1-1/16"	13/16"	5/8"	5/16"	10	[H]
867-160	160 mm (6-5/16") CC	7-5/8"	5/8"	1-1/16"	13/16"	5/8"	5/16"	10	[J]
867-228	228 mm (9") CC	10-5/16"	5/8"	1-1/16"	13/16"	5/8"	5/16"	10	[K]
867-320	320 mm (12-5/8") CC	13-15/16"	5/8"	1-1/16"	13/16"	5/8"	5/16"	10	[K]

Display	Description
DB993-GRY	Anwick hardware on Designer Grey display board, 16"W x 11"H



PATENTED D728,342; D737,654



## MODERN

The intricate decorative line detail and soft modern edge of Anwick create a unique and unrivaled contemporary look. Offered in extended lengths, this sleep pull design helps maintain a continuous clean line on wide drawers.



Shown in Satin Nickel

### Finishes



**BNBDL**  
Brushed Pewter



**DBAC**  
Brushed Oil  
Rubbed Bronze



**NI**  
Polished Nickel



**SN**  
Satin Nickel

# Belcastel 1

*New finish for 2021*



Knobs	Description	Overall Length/ Diameter	Width at Center	Projection	Hand Space	Foot Width	Foot Length	Inner Box	Price Code
MO6303	round knob	1-3/8"	1-3/8"	1-1/16"	5/8"	11/16"	13/16"	20	[D]

Pulls	Center-to-Center	Overall Length	Width at Center	Projection	Hand Space	Foot Width	Foot Length	Inner Box	Price Code
MO6373	96 mm (3-3/4") CC	4-5/8"	7/16"	1-3/16"	13/16"	3/4"	11/16"	15	[E]
MO6373-128	128 mm (5-1/16") CC	5-7/8"	7/16"	1-3/16"	13/16"	3/4"	13/16"	20	[F]
MO6373-160	160 mm (6-5/16") CC	7-1/8"	7/16"	1-3/16"	13/16"	3/4"	13/16"	10	[G]
MO6373-12	12" CC appl. handle	13-1/4"	3/4"	2-5/16"	1-11/16"	1-1/8"	1-1/4"	5	[K]
MO6373-18	18" CC appl. handle	19-1/4"	3/4"	2-5/16"	1-11/16"	1-1/8"	1-1/4"	5	[K]

**Switching from 3" CC to 96 mm?** Use Pull Escutcheons to cover the old holes. See PE07 on page 174.

Display	Description
DB971-GRY	Belcastel 1 hardware on Designer Grey display board, 16"W x 11"H





**CLASSIC**

Belcastel 1 embodies a classic and dashing personality with its soft, square foot and gentle curves. This collection is a chameleon, harmoniously melding with shaker, traditional, or slab cabinet styles with its eleven different finishes.



Shown in Satin Nickel

**Finishes**





Knobs	Description	Overall Length/		Projection	Hand Space	Foot Width	Foot Length	Inner Box	Price Code
		Diameter	Width at Center						
818	round knob	1-3/8"	1-3/8"	1-1/8"	3/4"	5/8"	5/8"	20	[F]
818L	T-knob	2-1/4"	1/2"	1-3/8"	5/8"	5/8"	5/8"	20	[G]

Pulls	Center-to-Center	Overall Length	Width at Center	Projection	Hand Space	Foot Width	Foot Length	Inner Box	Price Code
818-128	128 mm (5-1/16") CC	5-11/16"	1/2"	1-3/8"	3/4"	5/8"	5/8"	15	[H]
818-160	160 mm (6-5/16") CC	6-15/16"	1/2"	1-3/8"	3/4"	5/8"	5/8"	10	[J]
818-12	12" CC appl. handle	13-1/8"	1"	2"	1"	1-1/8"	1-1/8"	5	[K]

**Switching from 3" CC to 96 mm?** Use Pull Escutcheons to cover the old holes. See PE02 on page 174.

Display	Description
DB975-GRY	Bella hardware on Designer Grey display board, 16"W x 11"H



PATENTED

D662,388; D661,972;  
D660,679



## FORMAL

Bella's elegant appearance adds formal sophistication with a French twist. This Jeffrey Alexander collection offers flowing, picturesque curves and rounded edges, a perfect soft look for traditional design schemes.



Shown in Satin Nickel

### Finishes



**ABSB**  
Antique Brushed  
Satin Brass



**BNBDL**  
Brushed Pewter



**DBAC**  
Brushed Oil  
Rubbed Bronze



**NI**  
Polished Nickel



**SN**  
Satin Nickel



959-96ABSB



959-ABS



959-96DBAC



959-BNBDL



959-96BNBDL



959-DBAC

Knobs	Description	Overall Length	Width at Center	Projection	Hand Space	Foot Width	Foot Length	Inner Box	Price Code
959	fleur-de-lis knob	1-5/16"	1"	1-3/16"	1/2"	3/4"	1"	30	[F]

Pulls	Center-to-Center	Overall Length	Width at Center	Projection	Hand Space	Foot Width	Foot Length	Inner Box	Price Code
959-96	96 mm (3-3/4") CC	5-13/16"	1-1/16"	1-1/16"	3/4"	5/8"	1-1/8"	20	[G]

Switching from 3" CC to 96 mm? Use Pull Escutcheons to cover the old holes. See PE05 on page 174.

Display	Description
DB961-GRY	Bienville hardware on Designer Grey display board, 16"W x 11"H

### Finishes



**ABS**  
Antique Brushed  
Satin Brass



**BNBDL**  
Brushed Pewter



**DBAC**  
Brushed Oil  
Rubbed Bronze



PATENTED D602,336; D595,107



Knobs	Description	Overall Length	Width at Center	Projection	Hand Space	Foot Width	Foot Length	Inner Box	Price Code
3990	oval knob	1-3/16"	13/16"	15/16"	9/16"	9/16"	9/16"	25	[D]

Pulls	Center-to-Center	Overall Length	Width at Center	Projection	Hand Space	Foot Width	Foot Length	Inner Box	Price Code
8236	96 mm (3-3/4") CC	5"	1-1/4"	1-1/4"	1-3/16"	1-1/4"	5"	25	[E]

Display	Description
DB925-GRY	Bordeaux hardware on Designer Grey display board, 16"W x 11"H

**Finishes**





177-224PC

177-192BNBDL



177-96MB



177-128DBAC



177-160SN

Pulls	Center-to-Center	Overall Length	Width at Center	Projection	Hand Space	Foot Width	Foot Length	Inner Box	Price Code
177-96	96 mm (3-3/4") CC	4-1/4"	1/2"	1-1/16"	13/16"	1/2"	5/8"	15	[E]
177-128	128 mm (5-1/16") CC	5-9/16"	1/2"	1-1/16"	13/16"	1/2"	5/8"	15	[F]
177-160	160 mm (6-5/16") CC	6-13/16"	1/2"	1-1/16"	13/16"	1/2"	5/8"	10	[G]
177-192	192 mm (7-9/16") CC	8-1/16"	1/2"	1-1/16"	13/16"	1/2"	5/8"	10	[G]
177-224	224 mm (8-13/16") CC	9-5/16"	1/2"	1-1/16"	13/16"	1/2"	5/8"	10	[H]

Display	Description
DB805-GRY	Boswell hardware on Designer Grey display board, 16"W x 11"H



Shown in Matte Black

### CONTEMPORARY

Rethinking the traditional square bar pull, Boswell combines gentle lines and a gracefully angled foot. Adding a rounded undercurve for a touch of delicacy to the overall sleek profile, this pull collection is ideally suited to today's top trending soft contemporary styles.

**Finishes**



**BNBDL**  
Brushed Pewter



**DBAC**  
Brushed Oil  
Rubbed Bronze



**MB**  
Matte Black



**PC**  
Polished Chrome



**SN**  
Satin Nickel



Knobs	Description	Overall Length/ Diameter	Width at Center	Projection	Hand Space	Foot Width	Foot Length	Inner Box	Price Code
117	round knob	1-1/4"	1-1/4"	1-1/16"	5/8"	3/4"	3/4"	20	[D]

Pulls	Center-to-Center	Overall Length	Width at Center	Projection	Hand Space	Foot Width	Foot Length	Inner Box	Price Code
527	96 mm (3-3/4") CC	4-5/8"	7/16"	1-3/16"	13/16"	7/8"	7/8"	15	[F]
527-128	128 mm (5-1/16") CC	5-7/8"	7/16"	1-1/8"	13/16"	13/16"	13/16"	10	[F]
527-160	160 mm (6-5/16") CC	7-1/8"	7/16"	1-1/8"	13/16"	13/16"	13/16"	10	[H]
527-12	12" CC appl. handle	13-1/16"	3/4"	2-1/16"	1-1/2"	1-1/8"	1-1/8"	5	[K]

**Switching from 3" CC to 96 mm?** Use Pull Escutcheons to cover the old holes. See PE04 on page 174.

Display	Description
DB974-GRY	Bremen 1 hardware on Designer Grey display board, 16"W x 11"H





**EFFORTLESS**

The stylish curves and simple stacked feet of Bremen 1 deliver effortless appeal and pizzazz to cabinets. Mirroring those appealing qualities in it's button knob, this collection is equally at home in transitional or traditional settings.



Shown in Satin Bronze

**Finishes**

- |   |   |   |  |   |   |
|---|---|---|--|---|---|
|  |  |  |  |  |  |
| <b>ABM-D</b><br>Distressed Antique Brass  | <b>ABSB</b><br>Antique Brushed Satin Brass  | <b>BNBDL</b><br>Brushed Pewter  | <b>DACM</b><br>Gun Metal   | <b>DBAC</b><br>Brushed Oil Rubbed Bronze  | <b>DMAC</b><br>Distressed Oil Rubbed Bronze   |
|  |  |  |  |  |   |
| <b>NI</b><br>Polished Nickel  | <b>PC</b><br>Polished Chrome  | <b>SBZ</b><br>Satin Bronze  | <b>SIM</b><br>Distressed Antique Silver  | <b>SN</b><br>Satin Nickel   |   |



Knobs	Description	Overall Length/		Projection	Hand Space	Foot Width	Foot Length	Inner Box	Price Code
		Diameter	Width at Center						
127	barrel knob	1-3/16"	1-3/16"	1-1/8"	5/8"	13/16"	13/16"	20	[D]
137	stacked knob	1-1/4"	1-1/4"	1-1/8"	11/16"	3/4"	3/4"	30	[D]

Pulls	Center-to-Center	Overall Length	Width at Center	Projection	Hand Space	Foot Width	Foot Length	Inner Box	Price Code
537-128	128 mm (5-1/16") CC	5-7/16"	1/2"	1-1/4"	11/16"	3/8"	3/8"	10	[F]
537-160	160 mm (6-5/16") CC	6-11/16"	1/2"	1-1/4"	11/16"	3/8"	3/8"	10	[F]
537-12	12" CC appl. handle	12-11/16"	5/8"	1-5/8"	7/8"	11/16"	11/16"	5	[K]

**Switching from 3" CC to 96 mm?** Use Pull Escutcheons to cover the old holes. See PE02 on page 174.

Display	Description
DB973-GRY	Bremen 2 hardware on Designer Grey display board, 16"W x 11"H



Shown in Gun Metal

## UNFAILING

The unfailing style of Jeffrey Alexander's Bremen 2 is highlighted by slight curves and a sturdy presence. The stacked barrel design is echoed in the three standard pull lengths, an appliance handle, as well as in two coordinating knobs. Bremen 2 feels at home in traditional and American Country design.

### Finishes



**ABSB**  
Antique Brushed  
Satin Brass



**DACM**  
Gun Metal



**DBAC**  
Brushed Oil  
Rubbed Bronze



**DMAC**  
Distressed Oil  
Rubbed Bronze



**NI**  
Polished Nickel



**SN**  
Satin Nickel



Knobs	Description	Overall Length	Width at Center	Projection	Hand Space	Foot Width	Foot Length	Inner Box	Price Code
595	pyramid knob	1-1/4"	1-1/4"	7/8"	5/8"	5/8"	5/8"	20	[D]

Pulls	Center-to-Center	Overall Length	Width at Center	Projection	Hand Space	Foot Width	Foot Length	Inner Box	Price Code
595-96	96 mm (3-3/4") CC	4-13/16"	1/2"	1-1/16"	15/16"	1"	11/16"	20	[E]
595-128	128 mm (5-1/16") CC	6-1/16"	1/2"	1-1/8"	15/16"	1"	9/16"	15	[E]

Display	Description
DB981-GRY	Cairo hardware on Designer Grey display board, 16"W x 11"H





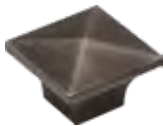
### REMINISCENT

Reminiscent of the pyramids in Egypt, Cairo’s dramatic faceted design meets elegant curves to create a look that echoes architectural history. The angled profile of this knob and pull combination catches the light in just the right way to add grandeur to cabinets.

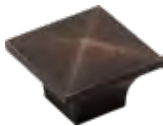


Shown in Satin Nickel

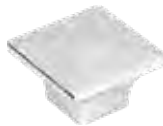
**Finishes**



**BNBDL**  
Brushed Pewter



**DBAC**  
Brushed Oil Rubbed Bronze



**PC**  
Polished Chrome



**SN**  
Satin Nickel

# Callie

*New finishes for 2021*



Pulls	Center-to-Center	Overall Length	Width at Center	Projection	Hand Space	Foot Width	Foot Length	Inner Box	Price Code
839-3	3" CC	4-3/16"	3/16"	1-1/4"	13/16"	7/16"	13/16"	20	[E]
839-96	96 mm (3-3/4") CC	4-15/16"	3/16"	1-1/4"	13/16"	7/16"	13/16"	15	[F]
839-128	128 mm (5-1/16") CC	6-1/4"	3/16"	1-1/4"	13/16"	7/16"	13/16"	15	[G]
839-160	160 mm (6-5/16") CC	7-1/2"	3/16"	1-1/4"	13/16"	7/16"	13/16"	10	[H]

Display	Description
DB998-GRY	Callie hardware on Designer Grey display board, 16"W x 11"H



PATENTED D790,315



**SOPHISTICATED**

Sophisticated and streamlined, Callie will enhance any modern or contemporary space. Pairing clean lines and subtle curves, this pull collection not only looks great but also feels great in your hand thanks to its rounded grip.



Shown in Brushed Pewter

**Finishes**



**BNBDL**  
Brushed Pewter



**DBAC**  
Brushed Oil  
Rubbed Bronze



**MB NEW**  
Matte Black



**NI**  
Polished Nickel



**PC**  
Polished Chrome



**SBZ NEW**  
Satin Bronze



**SN**  
Satin Nickel

# Carmen

*New collection for 2021*



Knobs	Description	Overall Length/		Projection	Hand Space	Foot Width	Foot Length	Inner Box	Price Code
		Diameter	Width at Center						
775	round knob	1-1/8"	1-1/8"	1-7/16"	3/4"	3/8"	3/8"	25	[F]
775L	T-knob	2"	5/8"	1-3/8"	13/16"	3/8"	3/8"	25	[F]

Pulls	Center-to-Center	Overall Length		Projection	Hand Space	Foot Width	Foot Length	Inner Box	Price Code
		Width at Center	Projection						
775-96	96 mm (3-3/4") CC	4-3/4"	7/16"	1-3/8"	13/16"	3/8"	3/8"	10	[H]
775-128	128 mm (5-1/16") CC	6"	7/16"	1-3/8"	13/16"	3/8"	3/8"	10	[J]
775-160	160 mm (6-5/16") CC	7-1/4"	7/16"	1-3/8"	13/16"	3/8"	3/8"	10	[J]

**Display Description**  
DB817-GRY Carmen hardware on Designer Grey display board, 16"W x 11"H





## BRILLIANT

Bold, beautiful, and brilliant, Carmen is the perfect union of classic and contemporary. With its crystal-clear acrylic bar and industrial yet elegant stepped detail, this lustrous fusion evokes everlasting style with a modern-day twist. Sharing the same profile as Jeffrey Alexander's Hayworth, mix and match metal and acrylic to instantly brighten your kitchen, bath, or closet.



Shown in Satin Bronze

### Finishes



**BG**  
Brushed Gold



**MB**  
Matte Black



**NI**  
Polished Nickel



**PC**  
Polished Chrome



**SBZ**  
Satin Bronze



**SN**  
Satin Nickel



Knobs	Description	Overall Length/ Diameter	Width at Center	Projection	Hand Space	Foot Width	Foot Length	Inner Box	Price Code
915	tri-cuT-knob	1-5/16"	1-5/16"	1"	9/16"	15/16"	15/16"	50	[D]
Z110	flared base knob	1-3/16"	1-3/16"	1-1/16"	5/8"	3/4"	3/4"	30	[B]

Pulls	Center-to-Center	Overall Length	Width at Center	Projection	Hand Space	Foot Width	Foot Length	Inner Box	Price Code
737-96	96 mm (3-3/4") CC	4-1/4"	1/2"	1-3/16"	7/8"	1/2"	1/2"	20	[E]
737-128	128 mm (5-1/16") CC	5-1/2"	1/2"	1-3/16"	7/8"	1/2"	1/2"	15	[F]
737-160	160 mm (6-5/16") CC	6-3/4"	1/2"	1-3/16"	7/8"	1/2"	1/2"	10	[G]
737-12	12" CC appl. handle	12-15/16"	1"	1-3/4"	1-1/8"	15/16"	15/16"	5	[K]

**Switching from 3" CC to 96 mm?** Use Pull Escutcheons to cover the old holes. See PE02 on page 174.

Display	Description
DB941-GRY	Chesapeake hardware on Designer Grey display board, 16"W x 11"H

**Finishes**





Knobs	Description	Overall Length/		Projection	Hand Space	Foot Width	Foot Length	Inner Box	Price Code
		Diameter	Width at Center						
0251	flat top knob	1-3/8"	1-3/8"	1-1/16"	7/8"	1-1/16"	1-1/16"	25	[C]
Z110	flared base knob	1-3/16"	1-3/16"	1-1/16"	5/8"	3/4"	3/4"	30	[B]
Z111	button knob	1-1/4"	1-1/4"	1"	9/16"	11/16"	11/16"	30	[C]

Pulls	Center-to-Center	Overall Length		Projection	Hand Space	Foot Width	Foot Length	Inner Box	Price Code
		Overall Length	Width at Center						
Z281	3" CC	3-3/8"	3/8"	1-1/4"	13/16"	13/16"	3/8"	20	[D]
Z280	96 mm (3-3/4") CC	4-3/16"	3/8"	1-1/4"	13/16"	3/4"	3/8"	20	[E]
Z281-128	128 mm (5-1/16") CC	5-7/16"	3/8"	1-5/16"	13/16"	13/16"	3/8"	10	[F]
Z281-160	160 mm (6-5/16") CC	6-11/16"	3/8"	1-1/4"	13/16"	13/16"	3/8"	10	[H]
Z281-12	12" CC appl. handle	12-3/4"	5/8"	2-1/16"	1-3/8"	1-9/16"	3/4"	5	[K]
Z281-18	18" CC appl. handle	18-3/4"	5/8"	2-1/16"	1-3/8"	1-9/16"	3/4"	5	[K]

Display	Description
DB955-GRY	Cordova hardware on Designer Grey display board, 16"W x 11" H

**Finishes**



**Finishes**



Knobs	Description	Overall Length	Width at Center	Projection	Hand Space	Foot Width	Foot Length	Inner Box	Price Code
519	T-knob	1-9/16"	13/16"	1-1/4"	11/16"	1/2"	1/2"	30	[F]

Pulls	Center-to-Center	Overall Length	Width at Center	Projection	Hand Space	Foot Width	Foot Length	Inner Box	Price Code
519-96	96 mm (3-3/4") CC	4-1/4"	3/4"	1-3/16"	11/16"	3/4"	1/2"	10	[H]
519-128	128 mm (5-1/16") CC	5-9/16"	3/4"	1-3/16"	11/16"	3/4"	1/2"	10	[K]
519-160	160 mm (6-5/16") CC	6-13/16"	3/4"	1-3/16"	11/16"	3/4"	1/2"	10	[K]
519-12	12" CC appl. handle	12-1/2"	3/4"	1-1/2"	1"	3/4"	1/2"	5	[K]
519-18	18" CC appl. handle	18-1/2"	3/4"	1-1/2"	1"	3/4"	1/2"	5	[K]

**Switching from 3" CC to 96 mm?** Use Pull Escutcheons to cover the old holes. See PE02 on page 174.

Display	Description
DB944-GRY	Delgado hardware on Designer Grey display board, 16"W x 11"H



PATENTED D612,703; D598,269



Knobs	Description	Overall Length	Width at Center	Projection	Hand Space	Foot Width	Foot Length	Inner Box	Price Code
585	small square knob	1"	1"	1"	11/16"	3/4"	3/4"	20	[F]
585L	large square knob	1-1/4"	1-1/4"	1"	5/8"	3/4"	3/4"	20	[G]
Pulls	Center-to-Center	Overall Length	Width at Center	Projection	Hand Space	Foot Width	Foot Length	Inner Box	Price Code
585-96	96 mm (3-3/4") CC	4-1/2"	3/4"	1-1/8"	7/8"	3/4"	5/8"	10	[H]
585-128	128 mm (5-1/16") CC	5-13/16"	3/4"	1-1/8"	7/8"	3/4"	5/8"	10	[J]
585-160	160 mm (6-5/16") CC	7-1/16"	3/4"	1-1/8"	7/8"	3/4"	5/8"	10	[K]
585-12	12" CC appl. handle	13-1/4"	1-1/4"	1-1/2"	1-1/4"	1-1/4"	7/8"	5	[K]

Display	Description
DB980-GRY	Delmar hardware on Designer Grey display board, 16"W x 11"H

**Finishes**



D680,409; D680,414;  
D680,408



Knobs	Description	Overall Length	Width at Center	Projection	Hand Space	Foot Width	Foot Length	Inner Box	Price Code
845	square knob	1-1/8"	1-1/8"	1-3/16"	3/4"	7/16"	7/16"	20	[D]
845T	T-knob	2"	7/16"	1-3/16"	3/4"	3/8"	3/8"	20	[D]
845TL	long T-knob	2-1/4"	7/16"	1-3/16"	3/4"	3/8"	3/8"	20	[E]
Pulls	Center-to-Center	Overall Length	Width at Center	Projection	Hand Space	Foot Width	Foot Length	Inner Box	Price Code
845-96	96 mm (3-3/4") CC	5-3/4"	3/8"	1-3/16"	13/16"	5/16"	5/16"	10	[F]
845-128	128 mm (5-1/16") CC	7-1/16"	3/8"	1-3/16"	13/16"	5/16"	5/16"	10	[F]
845-160	160 mm (6-5/16") CC	8-5/16"	3/8"	1-3/16"	13/16"	5/16"	5/16"	10	[G]
845-192	192 mm (7-9/16") CC	9-9/16"	3/8"	1-3/16"	13/16"	5/16"	5/16"	10	[H]
845-305	305 mm (12") CC	14"	3/8"	1-3/16"	13/16"	5/16"	5/16"	10	[K]
845-12	12" CC appl. handle	15"	5/8"	1-7/8"	1-1/4"	1/2"	1/2"	5	[K]
845-18	18" CC appl. handle	21"	5/8"	1-7/8"	1-1/4"	1/2"	1/2"	5	[K]

**Display Description**  
DB814-GRY Dominique hardware on Designer Grey display board, 16"W x 11"H



**DARING**

Dominique fuses daring lines with a delicate contour, resulting in a perfect balance of grace and power. With an abundance of pull lengths and knob shapes to choose from, this collection is a winning choice for transitional and contemporary designs.



Shown in Matte Black

**Finishes**



**BG**  
Brushed Gold



**BNBDL**  
Brushed Pewter



**DBAC**  
Brushed Oil  
Rubbed Bronze



**MB**  
Matte Black



**PC**  
Polished Chrome



**SBZ**  
Satin Bronze



**SN**  
Satin Nickel

# Durham

*New finish for 2021*



Knobs	Description	Overall Length/ Diameter		Projection	Hand Space	Foot Width	Foot Length	Inner Box	Price Code
		Diameter	Width at Center						
3980	round knob	1-1/4"	1-1/4"	1"	5/8"	1"	1"	20	[F]

Pulls	Center-to-Center	Overall Length	Width at Center	Projection	Hand Space	Foot Width	Foot Length	Inner Box	Price Code
Z290-96	96 mm (3-3/4") CC	4-1/4"	1/2"	1-5/16"	13/16"	1/2"	1/2"	20	[D]
Z290-128	128 mm (5-1/16") CC	5-1/2"	1/2"	1-7/16"	7/8"	1/2"	1/2"	15	[G]
Z290-160	160 mm (6-5/16") CC	6-3/4"	9/16"	1-9/16"	1"	1/2"	1/2"	10	[H]
Z290-12	12" CC appl. handle	13"	15/16"	2-1/8"	1-1/4"	1"	1"	5	[K]

**Switching from 3" CC to 96 mm?** Use Pull Escutcheons to cover the old holes. See PE02 on page 174.

Display	Description
DB954-GRY	Durham hardware on Designer Grey display board, 16"W x 11"H

**Finishes**







Knobs	Description	Overall Length/ Diameter	Width at Center	Projection	Hand Space	Foot Width	Foot Length	Inner Box	Price Code
343	round knob	1-1/4"	1-1/4"	1-3/16"	1"	5/8"	5/8"	20	[F]

Pulls	Center-to-Center	Overall Length	Width at Center	Projection	Hand Space	Foot Width	Foot Length	Inner Box	Price Code
343-96	96 mm (3-3/4") CC	4-1/2"	3/8"	1-1/4"	7/8"	3/4"	1"	10	[H]
343-128	128 mm (5-1/16") CC	5-13/16"	7/16"	1-5/16"	7/8"	3/4"	1"	10	[J]
343-160	160 mm (6-5/16") CC	7-1/16"	7/16"	1-1/4"	7/8"	3/4"	1"	10	[J]
343-12	12" CC appl. handle	13-1/8"	9/16"	1-13/16"	1-1/8"	1"	1-1/2"	5	[K]

Display	Description
DB977-GRY	Duval hardware on Designer Grey display board, 16"W x 11" H

**Finishes**



PATENTED D661,974; D661,965

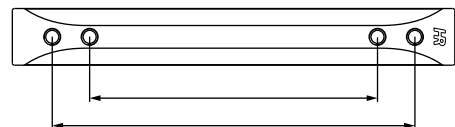


Knobs	Description	Overall Length/ Diameter	Width at Center	Projection	Hand Space	Foot Width	Foot Length	Inner Box	Price Code
484	round knob	1-1/4"	1-1/4"	15/16"	5/16"	7/8"	7/8"	20	[D]

Pulls	Center-to-Center	Overall Length	Width at Center	Projection	Hand Space	Foot Width	Foot Length	Inner Box	Price Code
484-32	32 mm (1-1/4") CC	2-1/16"	9/16"	15/16"	-	1/4"	2-1/16"	15	[D]
484-396	3" CC & 96 mm (3-3/4") CC	4-9/16"	9/16"	15/16"	-	1/4"	4-9/16"	20	[F]
484-128160	128 mm (5-1/16") CC & 160 mm (6-5/16") CC	7-1/8"	9/16"	15/16"	-	1/4"	7-1/8"	10	[H]
484-192224	192 mm (7-9/16") CC & 224 mm (8-13/16") CC	9-5/8"	9/16"	15/16"	-	1/4"	9-5/8"	15	[J]
484-305	305 mm (12") CC	12-13/16"	9/16"	15/16"	-	1/4"	12-13/16"	5	[K]

Display	Description
DB809-GRY	Elara hardware on Designer Grey display board, 16"W x 11"H

**3 pull sizes offer 2 center-to-center options**





Shown in Satin Bronze

## Boundless

This chic, European-style collection brings a fresh, upscale perspective to any room. Mix and match Elara's elegantly curved pinch pulls, three sizes offering two center to center options, and bold round knobs for boundless design possibilities.

### Finishes



**BNBDL**  
Brushed Pewter



**DBAC**  
Brushed Oil  
Rubbed Bronze



**MB**  
Matte Black



**PC**  
Polished Chrome



**SBZ**  
Satin Bronze



**SN**  
Satin Nickel



Knobs	Description	Overall Length	Width at Center	Projection	Hand Space	Foot Width	Foot Length	Inner Box	Price Code
165	geometric knob	1-1/4"	7/8"	1-1/8"	13/16"	9/16"	13/16"	20	[E]

Pulls	Center-to-Center	Overall Length	Width at Center	Projection	Hand Space	Foot Width	Foot Length	Inner Box	Price Code
165-96	96 mm (3-3/4") CC	4-1/2"	9/16"	1-3/16"	13/16"	15/16"	3/4"	10	[G]
165-128	128 mm (5-1/16") CC	5-13/16"	9/16"	1-3/16"	13/16"	15/16"	3/4"	10	[H]
165-160	160 mm (6-5/16") CC	7-1/16"	9/16"	1-3/16"	13/16"	15/16"	3/4"	10	[J]
165-12	12" CC appl. handle	13"	13/16"	1-5/8"	1-3/16"	1-1/4"	1"	5	[K]

Display	Description
DB996-GRY	Ella hardware on Designer Grey display board, 16"W x 11"H



PATENTED D737,112; D728,343



## DAZZLING

With its soft square design and wider chamfer with strap detail, Ella's dazzling personality adds brilliance to any kitchen. Accented with a matching faceted knob, resembling an emerald-cut jewel, this collection is the epitome of "jewelry for the kitchen."



Shown in Satin Nickel

### Finishes



**BNBDL**  
Brushed Pewter



**DBAC**  
Brushed Oil  
Rubbed Bronze



**NI**  
Polished Nickel



**PC**  
Polished Chrome



**SN**  
Satin Nickel



Knobs	Description	Overall Length	Width at Center	Projection	Hand Space	Foot Width	Foot Length	Inner Box	Price Code
925	fleur-de-lis knob	1-3/4"	1-3/8"	1-1/4"	3/4"	5/8"	5/8"	30	[F]

Pulls	Center-to-Center	Overall Length	Width at Center	Projection	Hand Space	Foot Width	Foot Length	Inner Box	Price Code
925-96	96 mm (3-3/4") CC	6-1/2"	1/2"	1-1/8"	13/16"	1-7/16"	1-7/16"	20	[G]

**Display Description**

DB968-GRY Evangeline hardware on Designer Grey display board, 16"W x 11"H

**Finishes**



Shown in Satin Nickel



PATENTED D646,551; D646,550



Knobs	Description	Overall Length	Width at Center	Projection	Hand Space	Foot Width	Foot Length	Inner Box	Price Code
618	small T-knob	2-5/8"	3/4"	1-1/4"	9/16"	3/4"	3/4"	25	[D]
618L	large T-knob	2-15/16"	11/16"	1-1/2"	3/4"	11/16"	11/16"	15	[F]

Pulls	Center-to-Center	Overall Length	Width at Center	Projection	Hand Space	Foot Width	Foot Length	Inner Box	Price Code
718	128 mm (5-1/16") CC	5-3/4"	11/16"	1-7/16"	3/4"	11/16"	11/16"	25	[F]
718-128	128 mm (5-1/16") CC bail pull	5-15/16"	11/16"	1-1/4"	9/16"	15/16"	15/16"	10	[H]
Z718-12	12" CC appl. handle	13-5/16"	1-1/16"	2-3/16"	1-1/8"	1-5/16"	1-5/16"	5	[K]

Display	Description
DB911-GRY	Glenmore hardware on Designer Grey display board, 16"W x 11"H

**Finishes**





G110L-SN



G110SN



G150PC



G120DBAC



G150L-PC



G130SN



G130L-SN



G140BNBDL



G120L-DBAC



G140L-BNBDL

Knobs	Description	Overall Length/		Projection	Hand Space	Foot Width	Foot Length	Inner Box	Price Code
		Diameter	Width at Center						
G110	small oval	1-1/4"	3/4"	1-3/8"	5/8"	7/8"	7/8"	10	[G]
G110L	large oval	1-5/8"	1"	1-11/16"	11/16"	7/8"	7/8"	10	[J]
G120	small button	1-7/16"	1-7/16"	1-9/16"	11/16"	7/8"	7/8"	10	[G]
G120L	large button	1-3/4"	1-3/4"	1-5/8"	15/16"	7/8"	7/8"	10	[J]
G130	small sphere	1-1/16"	1-1/16"	1-7/16"	3/8"	11/16"	11/16"	10	[G]
G130L	large sphere	1-3/8"	1-3/8"	1-5/8"	1/2"	7/8"	7/8"	10	[H]
G140	small square	1"	1"	1-3/16"	7/8"	11/16"	11/16"	10	[G]
G140L	large square	1-3/8"	1-3/8"	1-5/16"	7/8"	7/8"	7/8"	10	[J]
G150	small faceted	1"	1"	1-1/4"	-	11/16"	11/16"	10	[G]
G150L	large faceted	1-1/4"	1-1/4"	1-1/2"	-	7/8"	7/8"	10	[H]

The Harlow knobs have a post that needs an easy extra step to achieve a flush mount. Once you have drilled your hole with a 3/16" bit, use a 1/4" bit to expand the hole on the face of the door/drawer front to seat the post of the Harlow knob.

Display	Description
DB992-GRY	Harlow hardware on Designer Grey display board, 16"W x 11"H





## Glamorous

Recalling the glamorous era of Old Hollywood, Harlow's glass knobs add excitement and radiance to any kitchen, bath, or closet. This knob collection offers five alluring shapes that are the perfect accent to traditional or transitional design schemes.



G210L shown in Polished Chrome base

### Base Finishes



**BNBDL**  
Brushed Pewter



**DBAC**  
Brushed Oil  
Rubbed Bronze



**PC**  
Polished Chrome



**SN**  
Satin Nickel

# Hayworth

*New finishes for 2021*



Knobs	Description	Overall Length/		Projection	Hand Space	Foot Width	Foot Length	Inner Box	Price Code
		Diameter	Width at Center						
885	round knob	1-1/8"	1-1/8"	1-7/16"	3/4"	3/8"	3/8"	25	[E]
885L	T-knob	2"	5/8"	1-3/8"	13/16"	3/8"	3/8"	25	[E]

Pulls	Center-to-Center	Overall Length/		Projection	Hand Space	Foot Width	Foot Length	Inner Box	Price Code
		Overall Length	Width at Center						
885-96	96 mm (3-3/4") CC	4-3/4"	7/16"	1-3/8"	13/16"	3/8"	3/8"	10	[G]
885-128	128 mm (5-1/16") CC	6"	7/16"	1-3/8"	13/16"	3/8"	3/8"	10	[H]
885-160	160 mm (6-5/16") CC	7-1/4"	7/16"	1-3/8"	13/16"	3/8"	3/8"	10	[H]
885-192	192 mm (7-9/16") CC	8-1/2"	7/16"	1-3/8"	13/16"	3/8"	3/8"	10	[J]
885-224	224 mm (8-13/16") CC	9-3/4"	7/16"	1-3/8"	13/16"	3/8"	3/8"	10	[J]
885-305	305 mm (12") CC pull	12-15-16"	7/16"	1-3/8"	13/16"	3/8"	3/8"	10	[K]

Display	Description
DB999-GRY	Hayworth hardware on Designer Grey display board, 16"W x 11"H



PATENTED D787,297; D787,296



## INDUSTRIAL

The pairing of industrial and elegant is one that is not often combined, but that is what Hayworth precisely personifies! The simple yet trendy pull and knob collection offers a clean design while providing a substantial profile through its stepped detail.



Shown in Satin Bronze

### Finishes



**BG NEW**  
Brushed Gold



**MB NEW**  
Matte Black



**NI**  
Polished Nickel



**PC**  
Polished Chrome



**SBZ NEW**  
Satin Bronze



**SN**  
Satin Nickel



Knobs	Description	Overall Length	Width at Center	Projection	Hand Space	Foot Width	Foot Length	Inner Box	Price Code
650	oval knob	1-7/8"	1"	15/16"	1/2"	5/8"	5/8"	25	[D]
Pulls	Center-to-Center	Overall Length	Width at Center	Projection	Hand Space	Foot Width	Foot Length	Inner Box	Price Code
650-96	96 mm (3-3/4") CC	4-3/8"	1/2"	1-1/4"	1"	7/8"	5/8"	30	[E]
650-128	128 mm (5-1/16") CC	5-5/8"	1/2"	1-1/4"	1"	7/8"	5/8"	25	[F]
650-160	160 mm (6-5/16") CC	6-15/16"	1/2"	1-3/8"	1-1/8"	7/8"	5/8"	10	[G]
650-12	12" CC appl. handle	13"	7/8"	1-9/16"	1-3/16"	1-3/8"	1"	5	[K]

**Switching from 3" CC to 96 mm?** Use Pull Escutcheons to cover the old holes. See PE06 on page 174.

Display	Description
DB962-GRY	Hudson hardware on Designer Grey display board, 16"W x 11"H



Shown in Brushed Pewter

## SEAMLESS

The smooth and seamless blend of clean modern lines and a soft conventional shape make Hudson the perfect compromise in the contemporary versus traditional dilemma. This pull has a curved handle that leads to delicate oval feet for a comfortable, sleek look that is sure to satisfy any taste.

### Finishes



**BNBDL**  
Brushed Pewter



**DBAC**  
Brushed Oil Rubbed Bronze



**PC**  
Polished Chrome



**SN**  
Satin Nickel



Knobs	Description	Overall Length	Width at Center	Projection	Hand Space	Foot Width	Foot Length	Inner Box	Price Code
188	small knob	7/8"	7/8"	1-3/8"	1/2"	11/16"	11/16"	20	[E]
188L	large knob	1"	1"	1-7/16"	1/2"	13/16"	13/16"	15	[F]

Pulls	Center-to-Center	Overall Length	Width at Center	Projection	Hand Space	Foot Width	Foot Length	Inner Box	Price Code
188-96	96 mm (3-3/4") CC	4-3/8"	5/8"	1-7/16"	13/16"	5/8"	5/8"	15	[G]
188-128	128 mm (5-1/16") CC	5-11/16"	5/8"	1-7/16"	13/16"	5/8"	5/8"	15	[H]
188-160	160 mm (6-5/16") CC	6-15/16"	5/8"	1-7/16"	13/16"	5/8"	5/8"	10	[J]

**Switching from 3" CC to 96 mm?** Use Pull Escutcheons to cover the old holes. See PE03 on page 174.

Display	Description
DB991-GRY	Katharine hardware on Designer Grey display board, 16"W x 11"H



PATENTED D728,341; D729,037



Shown in Brushed Pewter

## DRAMATIC

Katharine brings a bit of dramatic glamour to any home. Harkening days of Old Hollywood, this alluring and curvaceous square knob sits atop stacked square feet. The soft square is echoed in the coordinating pull and is combined with a slightly higher hand clearance, making it a great option for Aging in Place. Choose from four classic finishes to complete any traditional or transitional space.

### Finishes



**BNBDL**  
Brushed Pewter



**DBAC**  
Brushed Oil  
Rubbed Bronze



**PC**  
Polished Chrome



**SN**  
Satin Nickel



5192SN

5192BG

5224SN

596BG

5128SN

Pulls	Center-to-Center	Overall Length	Width at Center	Projection	Hand Space	Foot Width	Foot Length	Inner Box	Price Code
596	96 mm (3-3/4") CC	5-3/8"	9/16"	1-5/16"	11/16"	3/8"	3/8"	20	[H]
5128	128 mm (5-1/16") CC	6-5/8"	9/16"	1-5/16"	11/16"	3/8"	3/8"	20	[H]
5192	192 mm (7-9/16") CC	9-1/8"	9/16"	1-5/16"	11/16"	3/8"	3/8"	10	[J]
5224	224 mm (8-13/16") CC	10-3/8"	9/16"	1-5/16"	11/16"	3/8"	3/8"	10	[J]
5319	319 mm (12-9/16") CC	14-1/8"	9/16"	1-5/16"	11/16"	3/8"	3/8"	10	[K]
5480*	480 mm (18-7/8") CC	20-1/2"	9/16"	1-5/16"	11/16"	3/8"	3/8"	10	[K]
5673*	673 mm (26-1/2") CC	28-1/16"	9/16"	1-5/16"	11/16"	3/8"	3/8"	10	[K]
5900*	900 mm (35-7/16") CC	37"	9/16"	1-5/16"	11/16"	3/8"	3/8"	5	[K]

**Switching from 3" CC to 96 mm?** Use Pull Escutcheons to cover the old holes. See PE03 on page 174.

\*Satin Nickel only

Display	Description
DB963-GRY	Key Grande hardware on Designer Grey display board, 16"W x 11"H





Shown in Brushed Gold

## REFINED

The simple, clean lines of this beveled bar pull blends with any cabinet style in kitchens, baths, and even laundry rooms. Key Grande's added strap detail offers a refined upgrade to the traditional bar pull.

### Finishes



**BG**  
Brushed Gold  
(up to 319 mm)



**SN**  
Satin Nickel  
(all lengths)

# Key West & Key Largo



Knobs	Description	Overall Length	Width at Center	Projection	Hand Space	Foot Width	Foot Length	Inner Box	Price Code
48	T-knob	1-7/8"	9/16"	1-7/16"	7/8"	1/2"	1/2"	30	[D]

Pulls	Center-to-Center	Overall Length	Width at Center	Projection	Hand Space	Foot Width	Foot Length	Inner Box	Price Code
146	96 mm (3-3/4") CC	5-3/4"	9/16"	1-7/16"	7/8"	1/2"	1/2"	10	[F]
152	96 mm (3-3/4") CC	6"	9/16"	1-7/16"	7/8"	1/2"	1/2"	10	[F]
178	128 mm (5-1/16") CC	7"	9/16"	1-7/16"	7/8"	1/2"	1/2"	10	[G]
242*	192 mm (7-9/16") CC	9-1/2"	9/16"	1-7/16"	7/8"	1/2"	1/2"	10	[G]
274*	224 mm (8-13/16") CC	10-3/4"	9/16"	1-7/16"	7/8"	1/2"	1/2"	10	[H]
370*	320mm (12-5/8") CC	14-9/16"	9/16"	1-7/16"	7/8"	1/2"	1/2"	10	[H]
530†	480 mm (18-7/8") CC	20-7/8"	9/16"	1-7/16"	7/8"	1/2"	1/2"	10	[J]
722†	673 mm (26-1/2") CC	28-7/16"	9/16"	1-7/16"	7/8"	1/2"	1/2"	10	[K]
950†	900 mm (35-7/16") CC	37-3/8"	9/16"	1-7/16"	7/8"	1/2"	1/2"	10	[K]

**Switching from 3" CC to 96 mm?** Use Pull Escutcheons to cover the old holes. See PE02 on page 174.

Display	Description
DB905-GRY	Key West & Key Largo combined hardware on Designer Grey display board, 16"W x 11" H

\*Available in Brushed Gold, Matte Black, Satin Bronze, and Satin Nickel finishes

†Only available in Satin Nickel finish



## ENDURING

The enduring bar pull design is comfortable, distinguished, and always a crowd-pleaser. Expanded to offer top-trending finishes and extended lengths for oversized drawers, the presence of Key West and Key Largo will stand the test of time.



Shown in Matte Black

### Finishes



**BG**

Brushed Gold  
(up to 320 mm CC)



**MB**

Matte Black  
(up to 320 mm CC)



**ORB**

Dark Bronze  
(up to 128 mm CC)



**SBZ**

Satin Bronze  
(up to 320 mm CC)



**SN**

Satin Nickel  
(all lengths)



Knobs	Description	Overall Length/			Hand Space	Foot Width	Foot Length	Inner Box	Price Code
		Diameter	Width at Center	Projection					
218	fleur-de-lis knob	1-3/8"	1-3/8"	1-1/4"	3/4"	7/8"	7/8"	30	[F]
317	circles knob	1-3/8"	1-3/8"	1-1/8"	3/4"	11/16"	11/16"	20	[F]
417	Baroque pattern knob	1-3/8"	1-3/8"	1-1/8"	3/4"	3/4"	3/4"	30	[F]

Pulls	Center-to-Center	Overall Length			Hand Space	Foot Width	Foot Length	Inner Box	Price Code
		Overall Length	Width at Center	Projection					
317-96	96 mm (3-3/4") CC	4-3/8"	1/2"	1-1/4"	15/16"	9/16"	9/16"	20	[G]
317-128	128 mm (5-1/16") CC	5-5/8"	1/2"	1-3/8"	1-1/16"	9/16"	9/16"	20	[H]
317-160	160 mm (6-5/16") CC	6-7/8"	1/2"	1-7/16"	1-1/16"	9/16"	9/16"	15	[H]
317-12	12" CC appl. handle	12-15/16"	1-1/16"	2-3/16"	1-1/16"	7/8"	7/8"	5	[K]

**Switching from 3" CC to 96 mm?** Use Pull Escutcheons to cover the old holes. See PE02 on page 174.

Display	Description
DB945-GRY	Lafayette hardware on Designer Grey display board, 16"W x 11"H

### Finishes



D605,924; D602,334;  
D637,059



Knobs	Description	Overall Length/		Projection	Hand Space	Foot Width	Foot Length	Inner Box	Price Code
		Diameter	Width at Center						
Z117	round knob	1-1/4"	1-1/4"	1-1/16"	11/16"	11/16"	11/16"	25	[D]

Pulls	Center-to-Center	Overall Length	Width at Center	Projection	Hand Space	Foot Width	Foot Length	Inner Box	Price Code

Display	Description
DB906-GRY	Lenoir hardware on Designer Grey display board, 16"W x 11"H

**Looking for more pull options?**  
Mix-and-match with Rhodes Collection on page 101

**Finishes**





Knobs	Description	Overall Length	Width at Center	Projection	Hand Space	Foot Width	Foot Length	Inner Box	Price Code
259	T-knob	2"	1/2"	1-3/16"	7/8"	5/16"	1/2"	30	[E]

Pulls	Center-to-Center	Overall Length	Width at Center	Projection	Hand Space	Foot Width	Foot Length	Inner Box	Price Code
259-96	96 mm (3-3/4") CC	4-3/16"	1/2"	1-3/16"	13/16"	5/16"	1/4"	15	[H]
259-128	128 mm (5-1/16") CC	5-7/16"	1/2"	1-3/16"	13/16"	5/16"	1/4"	10	[H]
259-160	160 mm (6-5/16") CC	6-11/16"	1/2"	1-3/16"	13/16"	5/16"	1/4"	10	[J]
259-192	192 mm (7-9/16") CC	8"	1/2"	1-3/16"	13/16"	5/16"	1/4"	10	[J]

Display	Description
DB986-GRY	Lexa hardware on Designer Grey display board, 16"W x 11"H



PATENTED D718,111; D719,008



## LINEAR

With straight lines and a stepped design, Lexa's demeanor adds depth and definition to slab doors. The collection's linear style in a classic finish can also lend a modern touch to craftsmen style cabinets.



Shown in Black Nickel

### Finishes



**BN**  
Black Nickel



**BNBDL**  
Brushed Pewter



**DBAC**  
Brushed Oil  
Rubbed Bronze



**PC**  
Polished Chrome



**SN**  
Satin Nickel

# Leyton

*New finish for 2021*



Pulls	Center-to-Center	Overall Length	Width at Center	Projection	Hand Space	Foot Width	Foot Length	Inner Box	Price Code
286-96	96 mm (3-3/4") CC	5-1/8"	5/16"	1-3/16"	13/16"	5/16"	7/8"	10	[F]
286-128	128 mm (5-1/16") CC	6-3/8"	5/16"	1-3/16"	13/16"	5/16"	7/8"	10	[G]
286-160	160 mm (6-5/16") CC	7-11/16"	5/16"	1-3/16"	13/16"	5/16"	7/8"	10	[H]
286-192	192 mm (7-9/16") CC	8-15/16"	5/16"	1-3/16"	13/16"	5/16"	7/8"	10	[H]
286-224	224 mm (8-13/16") CC	10-3/16"	5/16"	1-3/16"	13/16"	5/16"	7/8"	10	[J]

Display	Description
DB800-GRY	Leyton hardware on Designer Grey display board, 16"W x 11"H





Shown in Satin Bronze

## **DISTINCTIVE**

Leyton's relaxed yet distinctive asymmetrical silhouette is fun and flexible. An ideal complement to mid-century modern design with its clean lines and gentle curves, this pull collection also harmonizes with contemporary design's straight lines and geometric shapes.

### **Finishes**



**BNBDL**  
Brushed Pewter



**DBAC**  
Brushed Oil  
Rubbed Bronze



**MB NEW**  
Matte Black



**NI**  
Polished Nickel



**PC**  
Polished Chrome



**SBZ**  
Satin Bronze



**SN**  
Satin Nickel



Knobs	Description	Overall Length	Width at Center	Projection	Hand Space	Foot Width	Foot Length	Inner Box	Price Code
4155	small knob	1-1/4"	3/4"	1-3/16"	-	1/4"	3/8"	30	[E]
415	large knob	1-3/8"	7/8"	1-5/16"	-	1/4"	3/8"	30	[F]

Pulls	Center-to-Center	Overall Length	Width at Center	Projection	Hand Space	Foot Width	Foot Length	Inner Box	Price Code
415-96	96 mm (3-3/4") CC	4-3/8"	11/16"	1-1/8"	3/4"	7/16"	5/16"	20	[F]
415-96V	96 mm (3-3/4") CC asymmetrical	4-3/4"	3/4"	1-5/16"	15/16"	3/8"	3/8"	20	[G]
415-128	128 mm (5-1/16") CC	5-5/8"	11/16"	1-3/16"	7/8"	7/16"	5/16"	20	[H]
415-160	160 mm (6-5/16") CC	6-7/8"	3/4"	1-5/16"	15/16"	7/16"	5/16"	15	[J]
415-12	12" CC appl. handle	12-7/8"	1-3/16"	1-15/16"	1-3/8"	3/4"	1/2"	5	[K]

**Switching from 3" CC to 96 mm?** Use Pull Escutcheons to cover the old holes. See PE01 on page 174.

Display	Description
DB950-GRY	Lille hardware on Designer Grey display board, 16"W x 11"H

**Finishes**



D568,139; D568,140;  
D568,141



Knobs	Description	Overall Length	Width at Center	Projection	Hand Space	Foot Width	Foot Length	Inner Box	Price Code
3991	oval knob	1-9/16"	1"	1-5/8"	5/8"	11/16"	11/16"	25	[E]

Pulls	Center-to-Center	Overall Length	Width at Center	Projection	Hand Space	Foot Width	Foot Length	Inner Box	Price Code
8233	3" CC	4-15/16"	1-5/16"	1	7/8"	4-15/16"	1-5/16"	25	[D]

Display	Description
DB924-GRY	Lyon hardware on Designer Grey display board, 16"W x 11"H

**Finishes**



# Marie

*New collection for 2021*

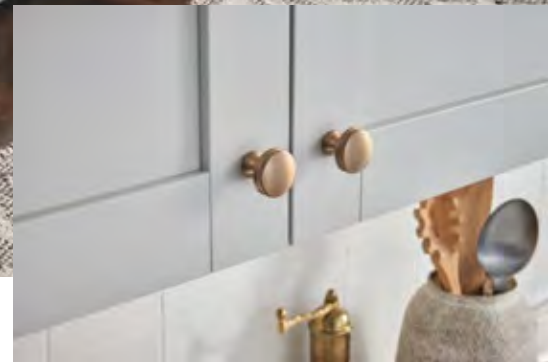


Knobs	Description	Overall Length/ Diameter	Width at Center	Projection	Hand Space	Foot Width	Foot Length	Inner Box	Price Code
445	round knob	1-1/4"	1-1/4"	1-1/8"	3/4"	11/16"	11/16"	10	[D]

Pulls	Center-to-Center	Overall Length	Width at Center	Projection	Hand Space	Foot Width	Foot Length	Inner Box	Price Code
445-96	96 mm (3-3/4") CC	4-3/8"	5/16"	1-5/16"	1"	5/8"	5/8"	10	[E]
445-128	128 mm (5-1/16") CC	5-5/8"	5/16"	1-1/2"	1-3/16"	5/8"	5/8"	10	[F]
445-160	160 mm (6-5/16") CC	6-7/8"	5/16"	1-1/2"	1-3/16"	5/8"	5/8"	10	[F]
445-192	192 mm (7-9/16") CC	8-3/16"	5/16"	1-1/2"	1-3/16"	5/8"	5/8"	10	[G]
445-224	224 mm (8-13/16") CC	9-7/16"	5/16"	1-1/2"	1-3/16"	5/8"	5/8"	10	[H]
445-305	305 mm (12") CC	12-11/16"	3/8"	1-1/2"	1-1/8"	11/16"	11/16"	10	[K]
445-12	12" CC appl. handle	13"	11/16"	2-1/8"	1-3/8"	1"	1"	1	[K]
445-18	18" CC appl. handle	19"	11/16"	2-1/8"	1-3/8"	1"	1"	1	[K]

**Display Description**  
DB816-GRY Marie hardware on Designer Grey display board, 16"W x 11"H



Shown in Satin Bronze

## REGAL

The regal presence of Marie adds subtle grandeur to your cabinets with its elegant swooping lines and jewelry-like cuff detail. Adapted from a Jeffrey Alexander classic, this pull features a soft arch that discreetly adds extra hand clearance without being imposing making it perfect for Aging in Place or ADA needs. Marie brings instant sophistication to any kitchen, bath, or closet.

### Finishes



**BNBDL**  
Brushed Pewter



**DBAC**  
Brushed Oil  
Rubbed Bronze



**MB**  
Matte Black



**PC**  
Polished Chrome



**SBZ**  
Satin Bronze



**SN**  
Satin Nickel



Knobs	Description	Overall Length	Width at Center	Projection	Hand Space	Foot Width	Foot Length	Inner Box	Price Code
972S	small square knob	7/8"	7/8"	1"	3/8"	7/16"	7/16"	30	[D]
972	medium square knob	1-1/8"	1-1/8"	1"	3/8"	1/2"	1/2"	30	[E]
972L	large square knob	1-1/4"	1-1/4"	1"	3/8"	9/16"	9/16"	20	[F]

Pulls	Center-to-Center	Overall Length	Width at Center	Projection	Hand Space	Foot Width	Foot Length	Inner Box	Price Code
972-96	96 mm (3-3/4") CC	4-1/2"	1/2"	1-1/16"	13/16"	1"	3/4"	10	[G]
972-128	128 mm (5-1/16") CC	5-13/16"	1/2"	1-1/16"	13/16"	1"	3/4"	10	[H]
972-160	160 mm (6-5/16") CC	7-1/16"	1/2"	1-1/16"	13/16"	1"	3/4"	10	[J]
972-224	224 mm (8-13/16") CC	9-3/4"	1/2"	1-1/16"	13/16"	1"	3/4"	15	[J]
972-305	305 mm (12") CC	12-3/4"	1/2"	1-1/16"	13/16"	1"	3/4"	10	[K]
972-12	12" CC appl. handle	13"	11/16"	1-1/2"	1-1/8"	1-3/8"	1"	5	[K]

Display	Description
DB997-GRY	Marlo hardware on Designer Grey display board, 16" W x 11" H



PATENTED D786,648; D790,316



Shown in Satin Nickel

## ADAPTABLE

Marlo blends a clean, square shape with a soft, chamfered edge, adaptable to any design scheme in any room. Confidently pair this soft, masculine pull with its coordinating knob. The multitude of size options in both knobs and pulls means this modern collection can accommodate almost any project.

### Finishes



**BNBDL**  
Brushed Pewter



**DBAC**  
Brushed Oil Rubbed Bronze



**NI**  
Polished Nickel



**PC**  
Polished Chrome



**SN**  
Satin Nickel



Knobs	Description	Overall Length	Width at Center	Projection	Hand Space	Foot Width	Foot Length	Inner Box	Price Code
225	oblong knob	1-11/16"	11/16"	1-13/16"	13/16"	3/8"	1/2"	20	[F]

Pulls	Center-to-Center	Overall Length	Width at Center	Projection	Hand Space	Foot Width	Foot Length	Inner Box	Price Code
225-96	96 mm (3-3/4") CC	5-1/4"	3/4"	1-1/16"	7/8"	3/4"	1"	15	[H]
225-128	128 mm (5-1/16") CC	6-3/8"	3/4"	1-1/8"	15/16"	3/4"	7/8"	15	[J]
225-160	160 mm (6-5/16") CC	7-7/16"	3/4"	1-1/8"	15/16"	3/4"	7/8"	10	[K]

Display	Description
DB987-GRY	Maybeck hardware on Designer Grey display board, 16"W x 11"H



PATENTED D724,411; D724,410





Shown in Black Nickel

## AMBITIOUS

Influenced by the Art Deco movement, the anti-traditional look of Maybeck is ambitious and sophisticated. The streamlined stacked design of this pull and knob achieves the perfect Streamline Moderne look for any kitchen design.

### Finishes



**BN**  
Black Nickel



**BNBDL**  
Brushed Pewter



**DBAC**  
Brushed Oil  
Rubbed Bronze



**PC**  
Polished Chrome



**SN**  
Satin Nickel

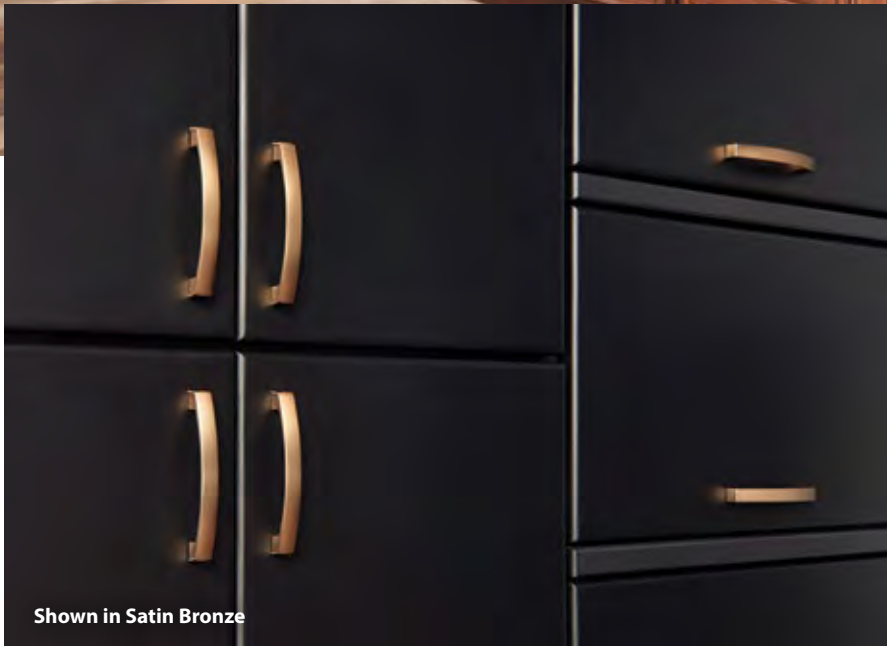


Pulls	Center-to-Center	Overall Length	Width at Center	Projection	Hand Space	Foot Width	Foot Length	Inner Box	Price Code
549-96	96 mm (3-3/4") CC	4-3/16"	9/16"	1-1/16"	13/16"	9/16"	5/8"	25	[E]
549-128	128 mm (5-1/16") CC	5-1/2"	9/16"	1-1/16"	13/16"	9/16"	5/8"	15	[E]
549-160	160 mm (6-5/16") CC	6-3/4"	9/16"	1-1/16"	13/16"	9/16"	11/16"	15	[F]
549-192	192 mm (7-9/16") CC	8"	9/16"	1-1/16"	13/16"	9/16"	11/16"	20	[F]
549-320	320 mm (12-5/8") CC	13-1/16"	9/16"	1-1/16"	13/16"	9/16"	11/16"	10	[K]

**Display Description**  
DB984-GRY Merrick hardware on Designer Grey display board, 16"W x 11"H



Shown in Brushed Pewter



Shown in Satin Bronze

**COMFORTABLE**

Subtle curves, a broad profile, and square feet make Merrick's simple strap pull anything but boring. A comfortable choice for various cabinet styles, this pull family's versatility makes it a popular preference.

**Finishes**



**BNBDL**  
Brushed Pewter



**DBAC**  
Brushed Oil  
Rubbed Bronze



**MB**  
Matte Black



**PC**  
Polished Chrome



**SBZ**  
Satin Bronze



**SN**  
Satin Nickel

# Milan 1

*New finish for 2021*



Knobs	Description	Overall Length/ Diameter	Width at Center	Projection	Hand Space	Foot Width	Foot Length	Inner Box	Price Code
1091	square knob	1-3/16"	1-3/16"	1"	5/8"	13/16"	13/16"	20	[E]

Pulls	Center-to-Center	Overall Length	Width at Center	Projection	Hand Space	Foot Width	Foot Length	Inner Box	Price Code
1092	96 mm (3-3/4") CC	4-1/4"	9/16"	1-1/16"	7/8"	1/2"	1/2"	20	[F]
1092-128	128 mm (5-1/16") CC	5-9/16"	5/8"	1-1/16"	7/8"	1/2"	1/2"	25	[G]
1092-160	160 mm (6-5/16") CC	6-13/16"	5/8"	1-1/16"	7/8"	1/2"	1/2"	20	[H]
1092-12	12" CC appl. handle	12-13/16"	7/8"	1-7/16"	1-1/8"	13/16"	13/16"	5	[K]

**Switching from 3" CC to 96 mm?** Use Pull Escutcheons to cover the old holes. See PE03 on page 174.

Display	Description
DB988-GRY	Milan 1 hardware on Designer Grey display board, 16"W x 11"H



## Charismatic

Charismatic and fashionable, the soft square design of Milan 1 has matured from a daring new shape to a timeless classic. The simple stepped square accents and the availability of an appliance pull make this collection a go-to for a variety of cabinet styles.



Shown in Gun Metal

### Finishes



**AB**  
Brushed Antique Brass



**AEM**  
Lightly Distressed Antique Brass



**BNBDL**  
Brushed Pewter



**DACM**  
Gun Metal



**DBAC**  
Brushed Oil Rubbed Bronze



**MB NEW**  
Matte Black



**PC**  
Polished Chrome



**SN**  
Satin Nickel



Knobs	Description	Overall Length	Width at Center	Projection	Hand Space	Foot Width	Foot Length	Inner Box	Price Code
81021	16 mm (5/8") CC knob	1-9/16"	7/8"	3/4"	5/8"	1/4"	15/16"	30	[D]

Pulls	Center-to-Center	Overall Length	Width at Center	Projection	Hand Space	Foot Width	Foot Length	Inner Box	Price Code
80152-96	96 mm (3-3/4") CC	5-9/16"	3/4"	1"	13/16"	15/16"	1-1/8"	20	[G]
80152-128	128 mm (5-1/16") CC	6-13/16"	3/4"	1"	13/16"	15/16"	1-1/8"	20	[H]
80152-160	160 mm (6-5/16") CC	8-1/16"	3/4"	1-1/8"	15/16"	15/16"	1-1/8"	15	[H]

Display	Description
DB929-GRY	Mirada hardware on Designer Grey display board, 16"W x 11"H

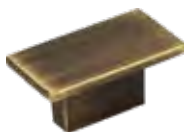


Shown in Matte Black

## ADVENTUROUS

Be adventurous with the bold but somehow familiar strap pull of Mirada. Its broad vaulting strap mingled with a controlled rectangular foot and matching knob will doubtlessly make a statement.

### Finishes



**ABSB**  
Antique Brushed  
Satin Brass



**BNBDL**  
Brushed Pewter



**DBAC**  
Brushed Oil  
Rubbed Bronze



**MB**  
Matte Black



**PC**  
Polished Chrome



**SN**  
Satin Nickel



Knobs	Description	Overall Length	Width at Center	Projection	Hand Space	Foot Width	Foot Length	Inner Box	Price Code
910S	small square knob	1"	1"	7/8"	11/16"	9/16"	9/16"	30	[E]
910	large square knob	1-3/16"	1-3/16"	7/8"	11/16"	9/16"	9/16"	30	[F]

Pulls	Center-to-Center	Overall Length	Width at Center	Projection	Hand Space	Foot Width	Foot Length	Inner Box	Price Code
910-96	96 mm (3-3/4") CC	4-1/4"	5/8"	1-1/16"	13/16"	1/2"	1/2"	25	[G]
910-128	128 mm (5-1/16") CC	5-9/16"	11/16"	1-1/16"	13/16"	1/2"	1/2"	15	[H]
910-160	160 mm (6-5/16") CC	6-13/16"	11/16"	1-1/16"	13/16"	1/2"	1/2"	25	[H]
910-12	12" CC appl. handle	12-13/16"	1"	1-1/2"	1-1/8"	13/16"	13/16"	5	[K]

**Switching from 3" CC to 96 mm?** Use Pull Escutcheons to cover the old holes. See PE03 on page 174.

Display	Description
DB951-GRY	Modena hardware on Designer Grey display board, 16"W x 11"H

**Finishes**



  
 PATENTED D570,185; D580,733





Knobs	Description	Overall Length/			Projection	Hand Space	Foot Width	Foot Length	Inner Box	Price Code
		Diameter	Width at Center	Width at Center						
918	round knob	1-3/8"	1-3/8"	1-1/8"	3/4"	5/8"	5/8"	20	[G]	
918L	T-knob	2-1/4"	5/8"	1-3/8"	5/8"	5/8"	5/8"	20	[H]	

Pulls	Center-to-Center	Overall Length	Width at Center	Projection	Hand Space	Foot Width	Foot Length	Inner Box	Price Code
918-128	128 mm (5-1/16") CC	5-11/16"	5/8"	1-3/8"	3/4"	5/8"	5/8"	15	[J]
918-160	160 mm (6-5/16") CC	6-15/16"	5/8"	1-3/8"	3/4"	5/8"	5/8"	10	[K]
918-12	12" CC appl. handle	13-1/8"	1"	2"	1"	1-1/8"	1-1/8"	5	[K]

**Switching from 3" CC to 96 mm?** Use Pull Escutcheons to cover the old holes. See PE02 on page 174.

Display	Description
DB976-GRY	Prestige hardware on Designer Grey display board, 16"W x 11"H

**Finishes**



**U.S.**  
PATENTED  
D661,970; D661,966,  
D660,680



Knobs	Description	Overall Length	Width at Center	Projection	Hand Space	Foot Width	Foot Length	Inner Box	Price Code
767	rectangle knob	1-1/4"	13/16"	1-1/16"	13/16"	3/4"	3/4"	25	[D]

Pulls	Center-to-Center	Overall Length	Width at Center	Projection	Hand Space	Foot Width	Foot Length	Inner Box	Price Code
767-96	96 mm (3-3/4") CC	5"	1/2"	1-1/16"	7/8"	3/4"	7/8"	15	[E]
767-128	128 mm (5-1/16") CC	6-5/16"	9/16"	1-1/8"	7/8"	3/4"	7/8"	10	[F]
767-160	160 mm (6-5/16") CC	7-9/16"	9/16"	1-1/8"	7/8"	3/4"	7/8"	10	[G]

Display	Description
DB815-GRY	Philip hardware on Designer Grey display board, 16"W x 11"H



**PLAYFUL**

The playful flare and soft lines of Philip's knob and pull create excitement and a bit of romance. The design options of this lively collection are matchless, making it a winning choice for any kitchen, bath, or closet.

**Finishes**



**BG**  
Brushed Gold



**BNBDL**  
Brushed Pewter



**DBAC**  
Brushed Oil  
Rubbed Bronze



**MB**  
Matte Black



**PC**  
Polished Chrome



**SBZ**  
Satin Bronze



**SN**  
Satin Nickel



Knobs	Description	Overall Length/		Projection	Hand Space	Foot Width	Foot Length	Inner Box	Price Code
		Diameter	Width at Center						
667S	small round knob	1-1/16"	1-1/16"	1-1/16"	5/8"	13/16"	13/16"	20	[D]
667	medium round knob	1-1/4"	1-1/4"	1-1/8"	5/8"	13/16"	13/16"	20	[E]
667L	large round knob	1-3/8"	1-3/8"	1-1/8"	5/8"	7/8"	7/8"	20	[F]

Pulls	Center-to-Center	Overall Length		Projection	Hand Space	Foot Width	Foot Length	Inner Box	Price Code
		Overall Length	Width at Center						
667-3	3" CC	3-7/16"	1/2"	1-3/16"	13/16"	1/2"	3/8"	20	[F]
667-96	96 mm (3-3/4") CC	4-3/16"	1/2"	1-3/16"	13/16"	1/2"	3/8"	20	[G]
667-128	128 mm (5-1/16") CC	5-1/2"	1/2"	1-3/16"	13/16"	1/2"	3/8"	15	[H]
667-160	160 mm (6-5/16") CC	6-3/4"	1/2"	1-3/16"	13/16"	1/2"	3/8"	10	[J]
667-224	224 mm (8-13/16") CC	9-1/4"	1/2"	1-3/16"	13/16"	1/2"	3/8"	10	[J]
667-305	305 mm (12") CC	12-9/16"	9/16"	1-1/4"	13/16"	9/16"	3/8"	10	[K]
667-12	12" CC appl. handle	12-13/16"	3/4"	1-15/16"	1-1/4"	3/4"	5/8"	5	[K]
667-18	18" CC appl. handle	18-13/16"	3/4"	1-15/16"	1-1/4"	3/4"	5/8"	5	[K]

**Display Description**  
DB995-GRY Rae hardware on Designer Grey display board, 16"W x 11"H



**REMARKABLE**

Rae tells a controlled yet remarkable tale through its crescentic shape. This pull has elongated lines with a softly rounded grip for a delightful embrace. Pair this impressive pull with one of three sizes of round knobs with similar concave detail to achieve a perfect, soft contemporary look.



Shown in Satin Nickel

**Finishes**



**BNBDL** Brushed Pewter    **DBAC** Brushed Oil Rubbed Bronze    **NI** Polished Nickel    **PC** Polished Chrome    **SN** Satin Nickel

# Regan

*New finish for 2021*



847-96DBAC



847-160SN



847-160MB  
**NEW FINISH**



847-128PC



847-128BNBDL

Pulls	Center-to-Center	Overall Length	Width at Center	Projection	Hand Space	Foot Width	Foot Length	Inner Box	Price Code
847-96	96 mm (3-3/4") CC	5-9/16"	3/8"	7/8"	11/16"	5/8"	1-3/16"	25	[D]
847-128	128 mm (5-1/16") CC	6-13/16"	3/8"	7/8"	11/16"	5/8"	1-3/16"	25	[D]
847-160	160 mm (6-5/16") CC	8-1/16"	3/8"	7/8"	11/16"	5/8"	1-3/16"	25	[D]

Display	Description
DB985-GRY	Regan hardware on Designer Grey display board, 16"W x 11"H

**Finishes**



**BNBDL**  
Brushed Pewter



**DBAC**  
Brushed Oil Rubbed Bronze



**MB NEW**  
Matte Black



**PC**  
Polished Chrome



**SN**  
Satin Nickel



Knobs	Description	Overall Length/		Projection	Hand Space	Foot Width	Foot Length	Inner Box	Price Code
		Diameter	Width at Center						
S6060	knob & backplate	1-1/4"	1-1/4"	1-7/16"	1 1/16"	1-1/4"	1-1/14"	25	[D]

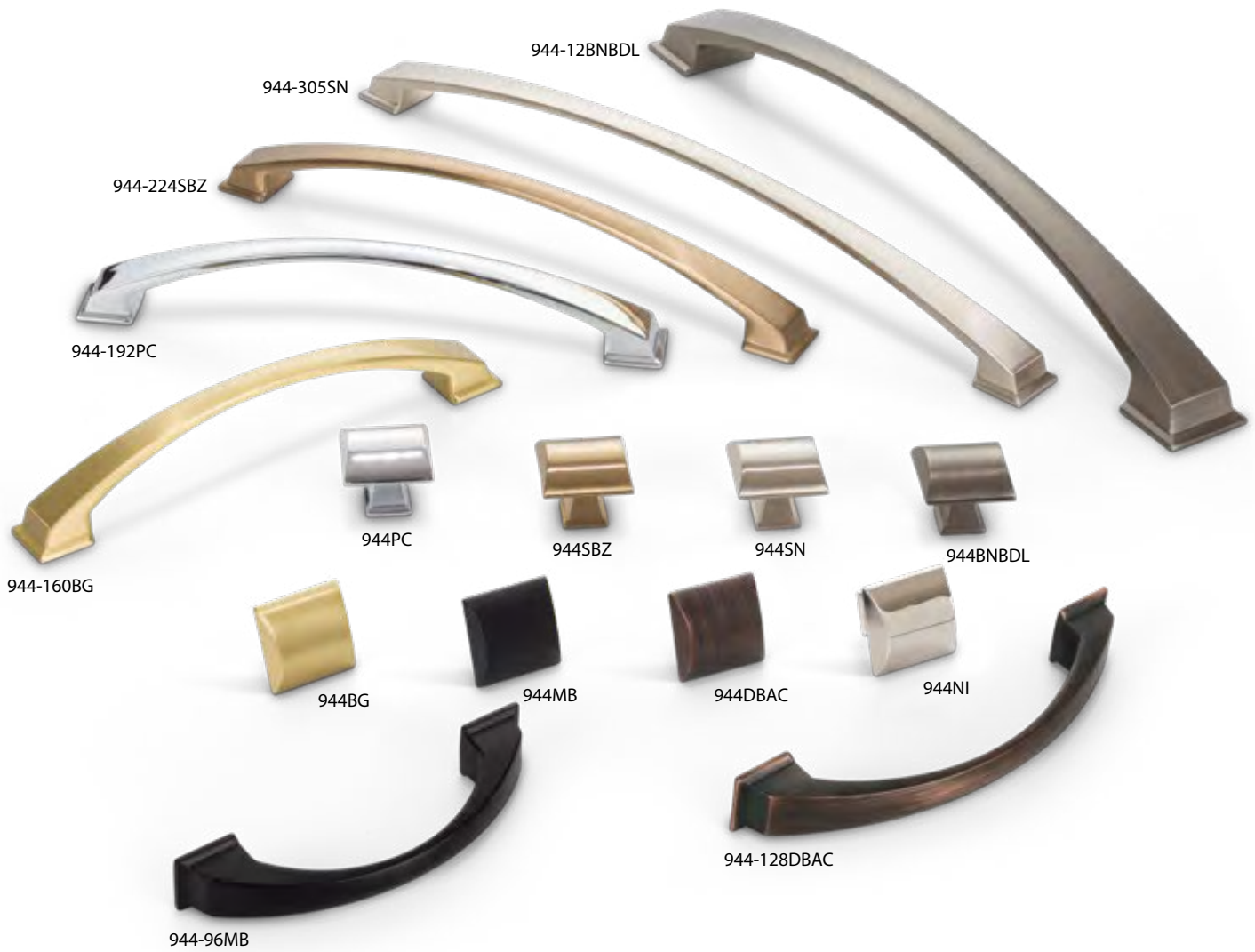
Pulls	Center-to-Center	Overall Length	Width at Center	Projection	Hand Space	Foot Width	Foot Length	Inner Box	Price Code
Z261-96	96 mm (3-3/4") CC	4-1/2"	9/16"	1-5/16"	1-1/8"	3/8"	9/16"	20	[D]
B812-96	96 mm (3-3/4") CC backplate	6-1/8"	1-1/4"	1/8"	-	-	-	30	[E]
Z261-128	128 mm (5-1/16") CC	5-13/16"	9/16"	1-3/8"	1-1/8"	3/8"	9/16"	15	[G]
Z260-12	12" CC appl. handle	13-1/4"	1-1/8"	1-3/4"	1-3/16"	1"	1"	5	[K]

**Switching from 3" CC to 96 mm?** Use Pull Escutcheons to cover the old holes. See PE03 on page 174. For more backplate options, see page 175.

Display	Description
DB970-GRY	Rhodes hardware on Designer Grey display board, 16" W x 11" H

**Finishes**





Knobs	Description	Overall Length	Width at Center	Projection	Hand Space	Foot Width	Foot Length	Inner Box	Price Code
944	square knob	1-1/4"	1-1/4"	1-1/8"	3/4"	5/8"	5/8"	20	[D]

Pulls	Center-to-Center	Overall Length	Width at Center	Projection	Hand Space	Foot Width	Foot Length	Inner Box	Price Code
944-96	96 mm (3-3/4") CC	4-15/16"	7/16"	1-7/16"	1-1/4"	13/16"	13/16"	10	[E]
944-128	128 mm (5-1/16") CC	6-1/4"	1/2"	1-7/16"	1-3/16"	7/8"	7/8"	10	[F]
944-160	160 mm (6-5/16") CC	7-1/2"	1/2"	1-7/16"	1-3/16"	7/8"	7/8"	10	[F]
944-192	192 mm (7-9/16") CC	8-3/4"	1/2"	1-7/16"	1-3/16"	15/16"	7/8"	10	[G]
944-224	224 mm (8-13/16") CC	10"	1/2"	1-1/2"	1-1/4"	15/16"	7/8"	15	[H]
944-305	305 mm (12") CC	13-3/16"	1/2"	1-9/16"	1-5/16"	15/16"	7/8"	10	[K]
944-12	12" CC appl. handle	13-5/8"	11/16"	1-7/8"	1-9/16"	1-3/8"	1-3/16"	5	[K]

Display	Description
DB812-GRY	Roman hardware on Designer Grey display board, 16"W x 11" H





Shown in Brushed Gold

## INSPIRING

A flowing arch and strong structured foot make an inspiring and compelling combination for this knob and pull collection. The high arch of Roman's pull discreetly adds the additional height aging in place and ADA projects require while presenting a refined look.

### Finishes



**BG**  
Brushed Gold



**BNBDL**  
Brushed Pewter



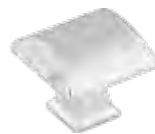
**DBAC**  
Brushed Oil  
Rubbed Bronze



**MB**  
Matte Black



**NI**  
Polished Nickel



**PC**  
Polished Chrome



**SBZ**  
Satin Bronze



**SN**  
Satin Nickel



Knobs	Description	Overall Length	Width at Center	Projection	Hand Space	Foot Width	Foot Length	Inner Box	Price Code
431	soft square knob	1-3/16"	1-3/16"	15/16"	9/16"	9/16"	9/16"	30	[D]
595	pyramid knob	1-1/4"	1-1/4"	7/8"	5/8"	5/8"	5/8"	20	[D]

Pulls	Center-to-Center	Overall Length	Width at Center	Projection	Hand Space	Foot Width	Foot Length	Inner Box	Price Code
798-96	96 mm (3-3/4") CC	5-1/2"	9/16"	1"	13/16"	9/16"	1"	10	[E]
798-128	128 mm (5-1/16") CC	6-3/4"	9/16"	1"	13/16"	9/16"	1"	10	[F]
798-160	160 mm (6-5/16") CC	8-1/16"	9/16"	1"	13/16"	9/16"	1-1/16"	10	[G]

Display	Description
DB990-GRY	Royce hardware on Designer Grey display board, 16"W x 11"H





Knobs	Description	Overall Length	Width at Center	Projection	Hand Space	Foot Width	Foot Length	Inner Box	Price Code
457	square knob	1-1/4"	1-1/4"	1-3/8"	1/2"	1/2"	1/2"	25	[H]
457L	oblong knob	2"	3/4"	1-3/8"	1/2"	5/16"	3/4"	25	[H]

Pulls	Center-to-Center	Overall Length	Width at Center	Projection	Hand Space	Foot Width	Foot Length	Inner Box	Price Code
457-96	96 mm (3-3/4") CC	6"	3/4"	1-1/4"	7/8"	3/4"	5/8"	10	[J]

Display	Description
DB803-GRY	Solana hardware on Designer Grey display board, 16"W x 11"H

**Finishes**



**U.S.**  
PATENTED  
D638,274; D638,275;  
D640,121



Knobs	Description	Overall Length	Width at Center	Projection	Hand Space	Foot Width	Foot Length	Inner Box	Price Code
431	soft square knob	1-3/16"	1-3/16"	15/16"	9/16"	9/16"	9/16"	30	[D]

Pulls	Center-to-Center	Overall Length	Width at Center	Projection	Hand Space	Foot Width	Foot Length	Inner Box	Price Code
4128	128 mm (5-1/16") CC	6-5/16"	9/16"	1-1/8"	7/8"	9/16"	3/4"	20	[F]
4160	160 mm (6-5/16") CC	8"	9/16"	1-3/16"	7/8"	11/16"	1"	20	[G]
4192	192 mm (7-9/16") CC	9-5/8"	11/16"	1-3/16"	7/8"	11/16"	1-1/4"	20	[H]
4288	288 mm (11-5/16") CC	14-7/16"	13/16"	1-1/4"	13/16"	13/16"	1-3/4"	10	[K]

**Display Description**

DB964-GRY Sonoma hardware on Designer Grey display board, 16"W x 11"H



Shown in Matte Black

## SUBSTANTIAL

Sonoma's substantial profile combined with a soft curve and coordinating sleek square knob exude understated elegance. Pair this collection with slab drawers and Shaker cabinets for an accomplished look.

### Finishes



**BNBDL**  
Brushed Pewter



**DBAC**  
Brushed Oil  
Rubbed Bronze



**MB**  
Matte Black



**PC**  
Polished Chrome



**SN**  
Satin Nickel



Knobs	Description	Overall Length	Width at Center	Projection	Hand Space	Foot Width	Foot Length	Inner Box	Price Code
752-19	19 mm (3/4") CC knob	1-1/4"	3/4"	1-1/16"	-	3/4"	1-1/4"	25	[D]

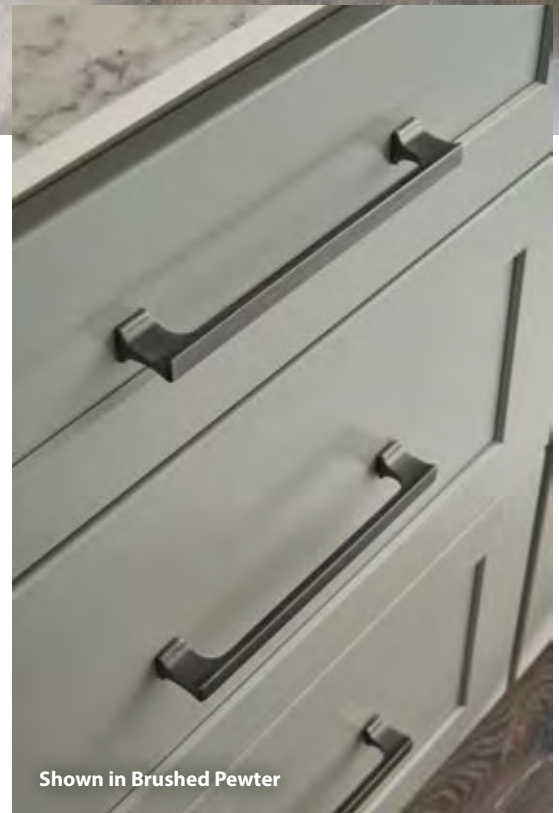
Pulls	Center-to-Center	Overall Length	Width at Center	Projection	Hand Space	Foot Width	Foot Length	Inner Box	Price Code
752-96	96 mm (3-3/4") CC	4-1/2"	1/2"	1-3/16"	7/8"	3/4"	3/4"	20	[D]
752-128	128 mm (5-1/16") CC	5-13/16"	1/2"	1-3/16"	7/8"	3/4"	3/4"	10	[F]
752-160	160 mm (6-5/16") CC	7-1/16"	1/2"	1-3/16"	7/8"	3/4"	3/4"	10	[G]
752-192	192 mm (7-9/16") CC	8-5/16"	1/2"	1-3/16"	7/8"	3/4"	3/4"	10	[G]
752-224	224 mm (8-13/16") CC	9-9/16"	1/2"	1-3/16"	7/8"	3/4"	3/4"	10	[H]

Display	Description
DB810-GRY	Sullivan hardware on Designer Grey display board, 16"W x 11"H



## POWERFUL

Reflecting the brawn of I-beams softened by gentle undercurves and tapered feet, Sullivan radiates a powerful yet serene presence. With a coordinating knob that echoes the pull's strong silhouette, this collection is adaptable to raised or flat panel cabinets.



Shown in Brushed Pewter

### Finishes



**BNBDL**  
Brushed Pewter



**DBAC**  
Brushed Oil  
Rubbed Bronze



**MB**  
Matte Black



**PC**  
Polished Chrome



**SN**  
Satin Nickel



635-256MB



635-160PC



635-128BG



635-96SN



635-128SBZ



635-96BNBDL



635-32DBAC



635-32NI

Pulls	Center-to-Center	Overall Length	Width at Center	Projection	Hand Space	Foot Width	Foot Length	Inner Box	Price Code
635-32	32 mm (1-1/4") CC	2-1/4"	5/16"	1"	3/4"	5/16"	11/16"	30	[E]
635-96	96 mm (3-3/4") CC	4-3/4"	5/16"	1-1/16"	3/4"	5/16"	13/16"	25	[F]
635-128	128 mm (5-1/16") CC	5-7/8"	5/16"	1-1/16"	3/4"	5/16"	13/16"	20	[F]
635-160	160 mm (6-5/16") CC	7-1/2"	3/8"	1-1/16"	3/4"	3/8"	7/8"	10	[G]
635-256	256 mm (10-1/16") CC	11-7/16"	3/8"	1-1/8"	3/4"	3/8"	1"	20	[K]

**Display Description**

DB967-GRY Sutton hardware on Designer Grey display board, 16"W x 11"H



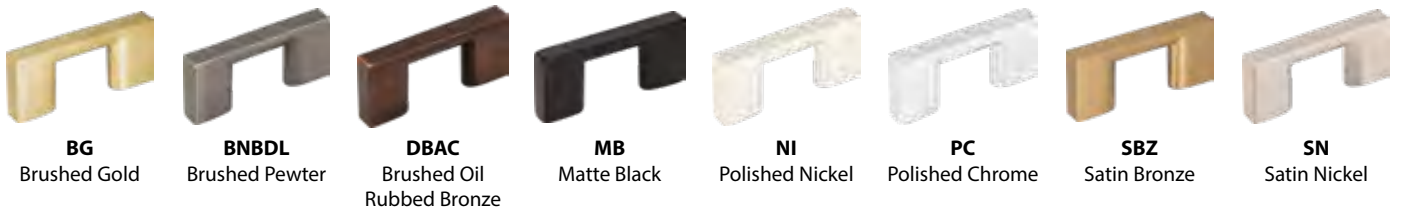


**Shown in Brushed Gold**

## WARM

Sutton's square profile is softened with a warm and graceful curve that flows around the handgrip all the way down to its feet. The narrow design of these pulls can make both a fearless statement or whisper sophistication with the perfect finish choice.

### Finishes



**BG**

Brushed Gold

**BNBDL**

Brushed Pewter

**DBAC**

Brushed Oil Rubbed Bronze

**MB**

Matte Black

**NI**

Polished Nickel

**PC**

Polished Chrome

**SBZ**

Satin Bronze

**SN**

Satin Nickel



Knobs	Description	Overall Length/ Diameter								Price Code
		Diameter	Width at Center	Projection	Hand Space	Foot Width	Foot Length	Inner Box		
1977S	round knob	1-3/8"	1-3/8"	1-1/16"	5/8"	9/16"	9/16"	30	[E]	

Pulls	Center-to-Center	Overall Length/ Diameter								Price Code
		Overall Length	Width at Center	Projection	Hand Space	Foot Width	Foot Length	Inner Box		
1976	ring pull & backplate	2"	2"	13/16"	9/16"	1-13/16"	1-13/16"	20	[F]	
1977	96 mm (3-3/4") CC	4-9/16"	9/16"	1-3/16"	11/16"	1/2"	7/16"	15	[F]	

**Switching from 3" CC to 96 mm?** Use Pull Escutcheons to cover the old holes. See PE08 on page 174.

Display	Description
DB966-GRY	Symphony hardware on Designer Grey display board, 16"W x 11"H



Shown in Satin Nickel

## WHIMSICAL

Symphony is a memorable addition to any cabinet with its elaborate detail and whimsical feel. This smaller collection features a baroque-inspired cabinet pull, ring pull, and mushroom knob. Each piece is detailed with a circular pattern that is sure to draw attention.

### Finishes



**ABSB**  
Antique Brushed  
Satin Brass



**BNBDL**  
Brushed Pewter



**DACM**  
Gun Metal



**DBAC**  
Brushed Oil  
Rubbed Bronze



**SN**  
Satin Nickel



Knobs	Description	Overall Length	Width at Center	Projection	Hand Space	Foot Width	Foot Length	Inner Box	Price Code
602S	small square knob	1-1/4"	1-1/4"	1-3/16"	11/16"	9/16"	9/16"	30	[G]
602	large square knob	1-1/2"	1-1/2"	1-1/4"	11/16"	9/16"	9/16"	25	[G]

Pulls	Center-to-Center	Overall Length	Width at Center	Projection	Hand Space	Foot Width	Foot Length	Inner Box	Price Code
602-96	96 mm (3-3/4") CC	4-1/2"	1/2"	1-5/16"	3/4"	3/4"	3/4"	10	[H]
602-128	128 mm (5-1/16") CC	5-13/16"	1/2"	1-5/16"	3/4"	3/4"	3/4"	10	[J]
602-12	12" CC appl. handle	12-3/4"	1/2"	1-9/16"	1"	3/4"	3/4"	5	[K]

Display	Description
DB949-GRY	Tahoe hardware on Designer Grey display board, 16"W x 11"H



PATENTED D602,330; D598,270

*hardware*  
**resources®**



**RUGGED**

Tahoe features the strength and breathtaking appeal of a mountain range with a rugged twist on a robust and modern silhouette. This collection will add rustic charm to rich, wood tone cabinets.



Shown in Black

**Finishes**



**BLK**  
Black



**DMAC**  
Distressed Oil  
Rubbed Bronze



**SIM**  
Distressed Antique  
Silver



Knobs	Description	Overall Length/ Diameter		Projection	Hand Space	Foot Width	Foot Length	Inner Box	Price Code
		Diameter	Width at Center						
658	round knob	1-1/4"	1-1/4"	1-5/16"	11/16"	7/8"	7/8"	20	[F]

Pulls	Center-to-Center	Overall Length		Projection	Hand Space	Foot Width	Foot Length	Inner Box	Price Code
		Overall Length	Width at Center						
658-96	96 mm (3-3/4") CC	4-1/2"	1/2"	1-5/16"	13/16"	3/4"	3/4"	20	[G]
658-128	128 mm (5-1/16") CC	5-13/16"	9/16"	1-5/16"	3/4"	3/4"	3/4"	15	[H]
658-160	160 mm (6-5/16") CC	7-1/16"	9/16"	1-3/8"	3/4"	3/4"	3/4"	10	[J]
658-192	192 mm (7-9/16") CC	8-3/8"	5/8"	1-3/8"	3/4"	13/16"	13/16"	15	[J]
658-224	224 mm (8-13/16") CC	9-7/8"	11/16"	1-1/2"	7/8"	7/8"	7/8"	15	[K]
658-12	12" CC appl. handle	13"	13/16"	2"	1-3/16"	1"	1"	5	[K]

**Display Description**  
DB994-GRY Tiffany hardware on Designer Grey display board, 16"W x 11"H



PATENTED D792,188



Shown in Polished Nickel

## ELEGANT

Tiffany combines a classically elegant shape with a transitional twist for a look that is timeless. This pull and knob collection features matching step details throughout the hardware design, accompanied by flowing curves for a comfortable feel in your hand.

### Finishes



**BG**  
Brushed Gold



**BNBDL**  
Brushed Pewter



**DBAC**  
Brushed Oil  
Rubbed Bronze



**NI**  
Polished Nickel



**PC**  
Polished Chrome



**SBZ**  
Satin Bronze



**SN**  
Satin Nickel



Knobs	Description	Overall Length	Width at Center	Projection	Hand Space	Foot Width	Foot Length	Inner Box	Price Code
749	T-knob	2-5/16"	13/16"	1-1/2"	11/16"	3/4"	3/4"	25	[D]

Pulls	Center-to-Center	Overall Length	Width at Center	Projection	Hand Space	Foot Width	Foot Length	Inner Box	Price Code
749-96B	96 mm (3-3/4") CC	4-11/16"	13/16"	1-5/16"	1/2"	15/16"	15/16"	10	[F]
749-128B	128 mm (5-1/16") CC	5-15/16"	13/16"	1-5/16"	1/2"	15/16"	15/16"	10	[F]
749-128	128 mm (5-1/16") CC bail pull	5-15/16"	13/16"	1-5/16"	9/16"	15/16"	15/16"	10	[F]
749-160	160 mm (6-5/16") CC bail pull	7-3/16"	13/16"	1-5/16"	9/16"	15/16"	15/16"	25	[H]
749-224	224 mm (8-13/16") CC bail pull	9-3/4"	13/16"	1-5/16"	1/2"	15/16"	15/16"	25	[H]

**Switching from 3" CC to 96 mm?** Use Pull Escutcheons to cover the old holes. See PE04 on page 174.

Display	Description
DB910-GRY	Tuscany hardware on Designer Grey display board, 16" W x 11" H

### Finishes



**ABSB**  
Antique Brushed  
Satin Brass

**DACM**  
Gun Metal

**DBAC**  
Brushed Oil  
Rubbed Bronze

**SIM**  
Distressed  
Antique Silver





Knobs	Description	Overall Length	Width at Center	Projection	Hand Space	Foot Width	Foot Length	Inner Box	Price Code
I350	T-knob	2"	3/4"	1-3/8"	5/8"	1/2"	1/2"	50	[C]

Pulls	Center-to-Center	Overall Length	Width at Center	Projection	Hand Space	Foot Width	Foot Length	Inner Box	Price Code
I300	3" CC	3-9/16"	5/8"	1-1/4"	5/8"	1/2"	1/2"	20	[E]
I350-128	128 mm (5-1/16") CC bail pull	5-15/16"	13/16"	1-5/16"	1/2"	15/16"	15/16"	15	[G]
I350-160	160 mm (6-5/16") CC bail pull	7-3/16"	7/8"	1-3/8"	1/2"	15/16"	15/16"	10	[G]

Display	Description
DB959-GRY	Zurich hardware on Designer Grey display board, 16"W x 11"H

**Finishes**





Knobs	Description	Overall Length/		Projection	Hand Space	Foot Width	Foot Length	Inner Box	Price Code
		Diameter	Width at Center						
678	geometric knob	1-1/4"	1-1/4"	1-3/16"	3/4"	3/4"	3/4"	20	[D]

Pulls	Center-to-Center	Overall Length		Projection	Hand Space	Foot Width	Foot Length	Inner Box	Price Code
		Width at Center	Width at Center						
678-96	96 mm (3-3/4") CC	5"	7/16"	1-1/16"	13/16"	13/16"	13/16"	10	[F]
678-128	128 mm (5-1/16") CC	6-1/4"	7/16"	1-1/16"	13/16"	13/16"	13/16"	10	[G]
678-160	160 mm (6-5/16") CC	7-1/2"	7/16"	1-1/16"	13/16"	13/16"	13/16"	10	[G]
678-18	18" CC appl. handle	20-1/4"	3/4"	2"	1-5/8"	1-3/8"	1-15/16"	5	[K]

Display	Description
DB813-GRY	Wheeler hardware on Designer Grey display board, 16"W x 11"H



## ENCHANTING

Controlled lines following a gentle contour result in an enchanting union of beauty and style. Wheeler offers meticulously styled pulls paired with a brilliantly angled octagon knob to dress up any kitchen, bathroom, or closet.

### Finishes



**BG**  
Brushed Gold



**BNBDL**  
Brushed Pewter



**DBAC**  
Brushed Oil  
Rubbed Bronze



**MB**  
Matte Black



**PC**  
Polished Chrome



**SBZ**  
Satin Bronze



**SN**  
Satin Nickel

# Zane

*New finish for 2021*



Knobs	Description	Overall Length	Width at Center	Projection	Hand Space	Foot Width	Foot Length	Inner Box	Price Code
293T	T-knob	2"	1/2"	1-1/4"	13/16"	5/16"	5/16"	10	[E]

Pulls	Center-to-Center	Overall Length	Width at Center	Projection	Hand Space	Foot Width	Foot Length	Inner Box	Price Code
293-96	96 mm (3-3/4") CC	5-1/16"	1/2"	1-1/4"	13/16"	5/16"	5/16"	10	[G]
293-128	128 mm (5-1/16") CC	6-5/16"	1/2"	1-1/4"	13/16"	5/16"	5/16"	10	[G]
293-160	160 mm (6-5/16") CC	7-9/16"	1/2"	1-1/4"	13/16"	5/16"	5/16"	10	[H]
293-192	192 mm (7-9/16") CC	8-13/16"	1/2"	1-1/4"	13/16"	5/16"	5/16"	10	[H]
293-224	224 mm (8-13/16") CC	10-1/16"	1/2"	1-1/4"	13/16"	5/16"	5/16"	10	[J]
293-305	305 mm (12") CC	13-1/4"	1/2"	1-1/4"	13/16"	5/16"	5/16"	10	[K]

**Display Description**  
DB802-GRY Zane hardware on Designer Grey display board, 16"W x 11"H



Shown in Brushed Pewter

## UNEXPECTED

The square bar pull structure with dashing strap detail of Zane is an unexpected and charming transformation from the basic bar or square bar pull. Available in extended pull lengths, this collection accents any modern or transitional design scheme with its clean lines and unique presence.

### Finishes



**BNBDL**  
Brushed Pewter



**MB NEW**  
Matte Black



**NI**  
Polished Nickel



**PC**  
Polished Chrome



**SN**  
Satin Nickel

# The **essentials** and more, priced right



Knox Collection on page 150

40+ designs of knobs and pulls in the most popular styles and finishes

Complete line of solid steel and hollow stainless steel bar pulls available in the Naples collection

Base Metal of cast zinc alloy, steel, aluminum or stainless steel for durability

Machine polished for consistent quality

Also ideal for the commercial, multi-family, retail and builder markets

Limited Lifetime Warranty



## Gibson

see page 142-143

*New collection*







See collection pages for finish and size options



Aiden  
page 128



Arcadia  
page 130



Brenton  
page 133



Calloway  
page 134



Calloway  
page 134



Capri  
page 135



Capri  
page 135



Capri  
page 135



Cosgrove  
page 136



Cypress  
page 137



Drake  
page 138



Drake  
page 138



Florence  
page 140



Gatsby  
page 141



Gatsby  
page 141



Gatsby  
page 141



Gatsby/Kenner  
page 141 & 148



Gibson **NEW**  
page 142



Glendale/Hammond  
page 144 & 145



Hadly  
page 146



Kingsport/Vienna  
page 149 & 170



Kingsport  
page 149



Kingsport  
page 149



Kingsport  
page 149



Lindos  
page 152



Lindos  
page 152



Madison  
page 153



Merryville  
page 154



Naples  
page 156



Park  
page 155



Seaver  
page 158



Sedona  
page 159



Slade  
page 160



Syracuse  
page 165



Thatcher  
page 166



Verona  
page 169



Vienna  
page 170/171



Watervale  
page



Westbury  
page 172



Zachary  
page 173



Knobs	Description	Overall Length	Width at Center	Projection	Hand Space	Foot Width	Foot Length	Inner Box	Price Code
993	T-knob	1-5/8"	7/16"	1-1/16"	13/16"	1/2"	1/2"	30	[B]

Pulls	Center-to-Center	Overall Length	Width at Center	Projection	Hand Space	Foot Width	Foot Length	Inner Box	Price Code
993-3	3" CC	4-1/16"	1/2"	1-1/4"	7/8"	3/8"	11/16"	25	[D]
993-96	96 mm (3-3/4") CC	4-3/4"	9/16"	1-1/4"	7/8"	3/8"	11/16"	20	[D]
993-128	128 mm (5-1/16") CC	6-1/8"	5/8"	1-1/4"	7/8"	7/16"	11/16"	15	[E]

Display	Description
DBE1039-GRY	Aiden hardware on Designer Grey display board, 16"W x 11"H





Shown in Brushed Oil Rubbed Bronze

## CHARMING

Charming and welcoming, Aiden offers a comfortable grip and ample hand clearance with its flowing arch profile. With its coordinating knob and extended sizes, this collection is a favorable choice for universal design needs.



Knobs	Description	Overall Length/ Diameyer		Projection	Hand Space	Foot Width	Foot Length	Inner Box	Price Code
		Width at Center	Width at Center						
107	round knob	1-5/16"	1-5/16"	1"	5/8"	3/4"	3/4"	25	[C]

Pulls	Center-to-Center	Overall Length		Projection	Hand Space	Foot Width	Foot Length	Inner Box	Price Code
		Width at Center	Width at Center						
516	3" CC	5-1/2"	1/2"	1"	11/16"	13/16"	1-3/8"	25	[C]

Display	Description
DBE1011-GRY	Arcadia hardware on Designer Grey display board, 16"W x 11"H

**Finishes**





Pulls	Center-to-Center	Overall Length	Width at Center	Projection	Hand Space	Foot Width	Foot Length	Inner Box	Price Code
193-3	3" CC	3-1/4"	3/4"	1-1/8"	7/8"	3/4"	1/4"	15	[D]
193-96	96 mm (3-3/4") CC	4"	3/4"	1-1/8"	7/8"	3/4"	3/16"	15	[D]
193-4	4" CC	4-1/4"	3/4"	1-1/8"	7/8"	3/4"	1/4"	15	[E]
193-128	128 mm (5-1/16") CC	5-1/4"	3/4"	1-1/8"	7/8"	3/4"	1/4"	10	[E]
193-160	160 mm (6-5/16") CC	6-9/16"	3/4"	1-1/8"	7/8"	3/4"	1/4"	10	[F]

Display	Description
DBE1023-GRY	Asher hardware on Designer Grey display board, 16"W x 11"H

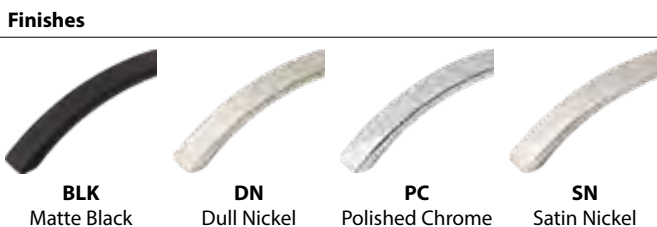
Finishes





Pulls	Center-to-Center	Overall Length	Width at Center	Projection	Hand Space	Foot Width	Foot Length	Inner Box	Price Code
308-128	128 mm (5-1/16") CC	5-9/16"	3/4"	15/16"	13/16"	3/8"	9/16"	25	[D]
406-128	128 mm (5-1/16") CC	6-9/16"	3/8"	1-1/4"	13/16"	5/16"	5/16"	20	[E]
745-128	128 mm (5-1/16") CC	5-11/16"	7/16"	1-3/16"	7/8"	11/16"	11/16"	20	[D]
776-128	128 mm (5-1/16") CC	5-11/16"	5/8"	1-3/16"	7/8"	5/8"	7/16"	20	[E]
976-128	128 mm (5-1/16") CC	6-3/16"	3/8"	1-1/16"	7/8"	1-3/16"	11/16"	20	[E]

Display	Description
DBE1018-GRY	Belfast hardware on Designer Grey display board, 16"W x 11"H





Knobs	Description	Overall Length/ Diameter	Width at Center	Projection	Hand Space	Foot Width	Foot Length	Inner Box	Price Code
239	round knob	1"	1"	1"	11/16"	3/8"	5/8"	30	[B]

Pulls	Center-to-Center	Overall Length	Width at Center	Projection	Hand Space	Foot Width	Foot Length	Inner Box	Price Code
239-96	96 mm (3-3/4") CC	4-5/16"	1/2"	1-1/8"	7/8"	1/2"	1/2"	15	[D]
239-128	128 mm (5-1/16") CC	5-9/16"	1/2"	1-1/8"	7/8"	1/2"	1/2"	15	[E]
239-160	160 mm (6-5/16") CC	6-13/16"	1/2"	1-1/8"	7/8"	1/2"	1/2"	15	[F]
239-192	192 mm (7-9/16") CC	8-1/16"	1/2"	1-1/8"	7/8"	1/2"	1/2"	10	[F]

Display	Description
DBE1024-GRY	Brenton hardware on Designer Grey display board, 16"W x 11"H

**Finishes**





Knobs	Description	Overall Length/			Projection	Hand Space	Foot Width	Foot Length	Inner Box	Price Code
		Diameter	Width at Center							
331	small round knob	1-1/8"	1-1/8"		1"	3/4"	3/8"	3/8"	25	[B]
351	small square knob	1-1/8"	1-1/8"		1"	3/4"	3/8"	3/8"	25	[B]
331L	large round knob	1-1/4"	1-1/4"		1"	3/4"	3/8"	3/8"	25	[C]
351L	large square knob	1-1/4"	1-1/4"		1"	3/4"	3/8"	3/8"	25	[C]

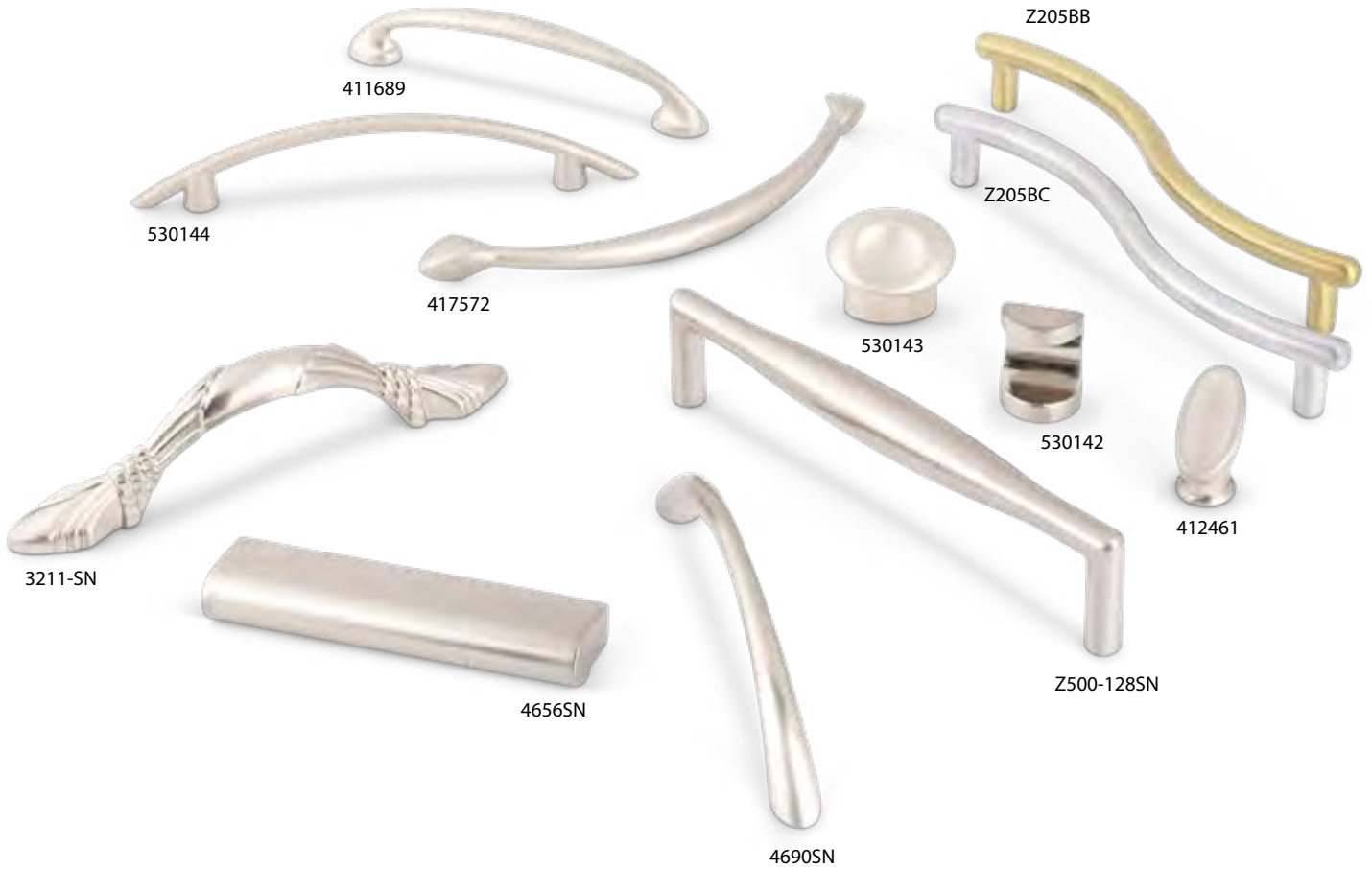
Pulls	Center-to-Center	Overall Length	Width at Center	Projection	Hand Space	Foot Width	Foot Length	Inner Box	Price Code
331-96	96 mm (3-3/4") CC	4-1/2"	11/16"	1-1/16"	13/16"	3/8"	3/8"	15	[D]
351-96	96 mm (3-3/4") CC	4-7/16"	11/16"	1-1/16"	13/16"	3/8"	3/8"	15	[D]
331-128	128 mm (5-1/16") CC	5-3/4"	11/16"	1-1/16"	13/16"	3/8"	3/8"	10	[D]
351-128	128 mm (5-1/16") CC	5-11/16"	11/16"	1-1/16"	13/16"	3/8"	3/8"	10	[E]

Display	Description
DBE1026-GRY	Calloway hardware on Designer Grey display board, 16"W x 11"H



D772,683  
D729,036





Knobs	Description	Overall Length	Width at Center	Projection	Hand Space	Foot Width	Foot Length	Inner Box	Price Code
412461	oval knob	1-1/16"	9/16"	15/16"	1/8"	9/16"	9/16"	50	[B]
530142	cylindrical knob	13/16"	13/16"	1"	13/16"	13/16"	13/16"	25	[B]
530143	concave round knob	1-1/4"	1-1/4"	7/8"	3/8"	3/8"	15/16"	25	[B]

Pulls	Center-to-Center	Overall Length	Width at Center	Projection	Hand Space	Foot Width	Foot Length	Inner Box	Price Code
3211	3" CC	4-15/16"	9/16"	1-1/16"	13/16"	11/16"	1-1/8"	25	[B]
4656	3" CC	3-3/8"	7/16"	13/16"	3/8"	3/8"	3-3/8"	25	[D]
411689*	96 mm (3-3/4") CC	4-3/8"	5/16"	7/8"	11/16"	7/16"	5/8"	50	[B]
4690	96 mm (3-3/4") CC	4-1/2"	1/4"	1-3/16"	15/16"	7/16"	1/2"	50	[B]
530144	96 mm (3-3/4") CC	5-1/4"	3/16"	15/16"	3/4"	3/8"	3/8"	50	[B]
417572	128 mm (5-1/16") CC	5-7/16"	3/8"	1"	5/8"	7/16"	7/16"	30	[C]
Z205	128 mm (5-1/16") CC	5-3/4"	5/16"	7/8"	9/16"	5/16"	5/16"	30	[D]
Z500-128	128 mm (5-1/16") CC	5-3/8"	9/16"	1-5/16"	3/4"	5/16"	5/16"	15	[F]

\*M4 attachment screws included with 411689 pull

BB	Brushed Brass
BC	Brushed Chrome
DN	Dull Nickel
SN	Satin Nickel



Knobs	Description	Overall Length	Width at Center	Projection	Hand Space	Foot Width	Foot Length	Inner Box	Price Code
382	T-knob	1-1/2"	3/4"	1-1/8"	3/4"	1/2"	1/2"	25	[B]

Pulls	Center-to-Center	Overall Length	Width at Center	Projection	Hand Space	Foot Width	Foot Length	Inner Box	Price Code
382-96	96 mm (3-3/4") CC	6-1/2"	3/4"	1-1/16"	7/8"	1/2"	1-1/2"	15	[E]
382-128	128 mm (5-1/16") CC	7-3/4"	3/4"	1-1/16"	7/8"	1/2"	1-1/2"	10	[F]
382-160	160 mm (6-5/16") CC	9"	3/4"	1-1/16"	7/8"	1/2"	1-1/2"	10	[F]

Display	Description
DBE1025-GRY	Cosgrove hardware on Designer Grey display board, 16"W x 11"H





Knobs	Description	Overall Length/		Projection	Hand Space	Foot Width	Foot Length	Inner Box	Price Code
		Diameter	Width at Center						
Z118	round knob	1-1/4"	1-1/4"	1"	11/16"	11/16"	11/16"	25	[A]

Pulls	Center-to-Center	Overall Length	Width at Center	Projection	Hand Space	Foot Width	Foot Length	Inner Box	Price Code
Z118-96	96 mm (3-3/4") CC	4-1/16"	9/16"	1-1/4"	15/16"	5/16"	5/16"	20	[B]

**Finishes**





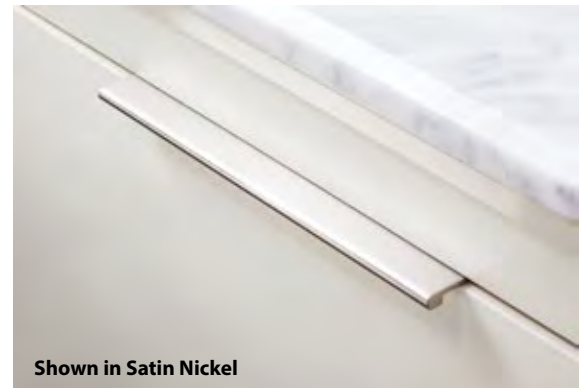
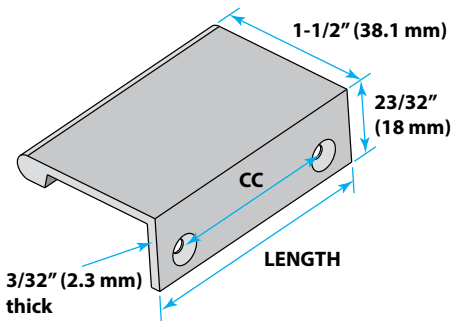
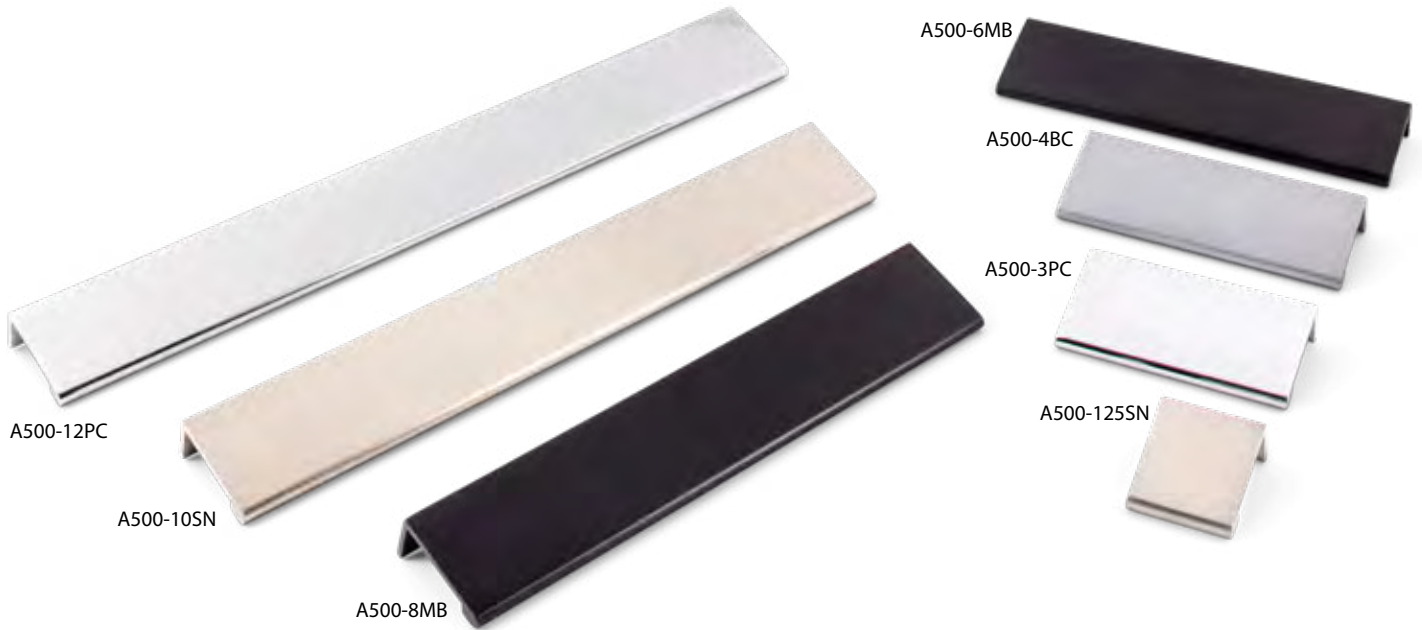
Knobs	Description	Overall Length	Width at Center	Projection	Hand Space	Foot Width	Foot Length	Inner Box	Price Code
423	faceted knob	1-3/16"	1-3/16"	1-1/16"	13/16"	13/16"	13/16"	30	[C]
424	geometric knob	1-3/16"	1-3/16"	1"	13/16"	11/16"	11/16"	25	[C]

Pulls	Center-to-Center	Overall Length	Width at Center	Projection	Hand Space	Foot Width	Foot Length	Inner Box	Price Code
423-3	3" CC	4"	7/16"	13/16"	5/8"	7/16"	11/16"	25	[C]
423-96	96 mm (3-3/4") CC	4-3/4"	7/16"	13/16"	5/8"	7/16"	5/8"	20	[D]

**Display**      **Description**  
DBE1022-GRY      Drake hardware on Designer Grey display board, 16"W x 11"H

**Finishes**



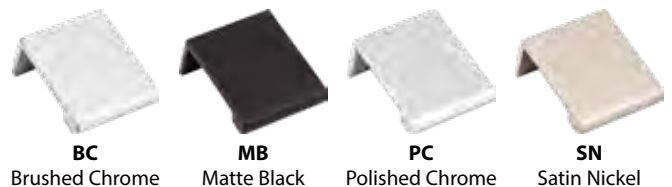


Pulls	Center-to-Center	Overall Length	Width at Center	Projection	Hand Space	Foot Width	Foot Length	Inner Box	Price Code
A500-125*	16 mm (5/8") CC tab pull	1-1/4"	11/16"	1-1/2"	-	23/32"	1-1/4"	50	[B]
A500-3*	60 mm (2-3/8") CC tab pull	3"	11/16"	1-1/2"	-	23/32"	3"	25	[D]
A500-4*	76 mm (3") CC tab pull	4"	11/16"	1-1/2"	-	23/32"	4"	25	[D]
A500-6*	127 mm (5") CC tab pull	6"	11/16"	1-1/2"	-	23/32"	6"	20	[E]
A500-8*	90 mm (3-9/16") CC tab pull (3 holes)	8"	11/16"	1-1/2"	-	23/32"	8"	20	[F]
A500-10*	114 mm (4-1/2") CC tab pull (3 holes)	10"	11/16"	1-1/2"	-	23/32"	10"	10	[G]
A500-12*	90 mm (3-9/16") CC tab pull (4 holes)	12"	11/16"	1-1/2"	-	23/32"	12"	10	[H]

\*Wood screws included with all tab pulls

Display	Description
DBE1029-GRY	Edgefield hardware on Designer Grey display board, 16" W x 11" H

Finishes














Knobs	Description	Overall Length/		Projection	Hand Space	Foot Width	Foot Length	Inner Box	Price Code
		Diameter	Width at Center						
2980	round knob	1-1/4"	1-1/4"	1-1/8"	5/8"	1"	1"	20	[C]

Pulls	Center-to-Center	Overall Length	Width at Center	Projection	Hand Space	Foot Width	Foot Length	Inner Box	Price Code

Display	Description
DBE1012-GRY	Florence hardware on Designer Grey display board, 16"W x 11"H

Finishes								
								
<b>AB</b> Brushed Antique Brass	<b>BNBDL</b> Brushed Pewter	<b>DACM</b> Gun Metal	<b>DBAC</b> Brushed Oil Rubbed Bronze	<b>MB</b> Matte Black	<b>ORB</b> Dark Bronze	<b>PC</b> Polished Chrome	<b>SBZ</b> Satin Bronze	<b>SN</b> Satin Nickel



Knobs	Description	Overall Length/		Projection	Hand Space	Foot Width	Foot Length	Inner Box	Price Code
		Diameter	Width at Center						
3940	ringed dome knob	1-3/16"	1-3/16"	3/4"	3/8"	11/16"	11/16"	50	[A]
3950	mushroom knob	1-3/16"	1-3/16"	15/16"	9/16"	11/16"	11/16"	50	[A]
3960	button knob	1-1/4"	1-1/4"	1-1/16"	13/16"	3/4"	3/4"	25	[A]
3970	ringed flat knob	1-3/16"	1-3/16"	1"	13/16"	9/16"	9/16"	25	[A]

Pulls	Center-to-Center	Overall Length	Width at Center	Projection	Hand Space	Foot Width	Foot Length	Inner Box	Price Code
3108	3" CC pull	5-5/16"	11/16"	7/8"	5/8"	11/16"	1-1/4"	25	[B]
3208	3" CC pull	4-1/4"	5/16"	7/8"	5/8"	13/16"	7/8"	25	[A]
3308	3" CC pull	4-1/2"	7/16"	15/16"	9/16"	7/8"	7/8"	25	[B]

Finishes



\*Matte Black finish only available in:  
3960 knob  
3970 knob  
3108 pull

*New collection for 2021*



Knobs	Description	Overall Length/ Diameter	Width at Center	Projection	Hand Space	Foot Width	Foot Length	Inner Box	Price Code
105 <b>NEW</b>	round knob	1-1/4"	1-1/4"	1"	11/16"	7/16"	7/16"	10	[C]

Pulls	Center-to-Center	Overall Length	Width at Center	Projection	Hand Space	Foot Width	Foot Length	Inner Box	Price Code
105-96 <b>NEW</b>	96 mm (3-3/4") CC	4-1/4"	7/16"	1-1/8"	7/8"	7/16"	7/16"	10	[D]
105-128 <b>NEW</b>	128 mm (5-1/16") CC	5-1/2"	7/16"	1-1/8"	7/8"	7/16"	7/16"	10	[D]
105-160 <b>NEW</b>	160 mm (6-5/16") CC	6-3/4"	7/16"	1-1/8"	7/8"	7/16"	7/16"	10	[E]
105-192 <b>NEW</b>	192 mm (7-9/16") CC	8"	7/16"	1-1/8"	7/8"	7/16"	7/16"	10	[F]

Display	Description
DBE1046-GRY	Gibson hardware on Designer Grey display board, 16"W x 11"H







Shown in Brushed Pewter

## HARMONIC

Gibson, with its clean, casual lines, brings an effortless, harmonic vibe to your contemporary or transitional space. A coordinating smooth and simplistic 1-1/4" diameter cabinet knob pairs melodiously with its cabinet pull. The standard pull features soft outer curves and straight lines that flow into cylindrical feet producing an easy-going feel. This closed-end bar pull collection is a crowd-pleaser.



Knobs	Description	Overall Length	Width at Center	Projection	Hand Space	Foot Width	Foot Length	Inner Box	Price Code
525	square knob	1-1/8"	1-1/8"	15/16"	9/16"	5/16"	5/16"	50	[C]

Pulls	Center-to-Center	Overall Length	Width at Center	Projection	Hand Space	Foot Width	Foot Length	Inner Box	Price Code
525-96	96 mm (3-3/4") CC	4-15/16"	1/4"	15/16"	13/16"	15/16"	7/8"	25	[D]

Display	Description
DBE1013-GRY	Glendale hardware on Designer Grey display board, 16"W x 11"H

**Finishes**





Knobs	Description	Overall Length	Width at Center	Projection	Hand Space	Foot Width	Foot Length	Inner Box	Price Code
525	square knob	1-1/8"	1-1/8"	15/16"	9/16"	5/16"	5/16"	50	[C]

Pulls	Center-to-Center	Overall Length	Width at Center	Projection	Hand Space	Foot Width	Foot Length	Inner Box	Price Code
937-3	3" CC	4-7/8"	3/8"	15/16"	3/4"	9/16"	1-1/16"	20	[B]
937-96	96 mm (3-3/4") CC	5-11/16"	3/8"	15/16"	3/4"	9/16"	1-1/16"	20	[D]

Display	Description
DBE1034-GRY	Hammond hardware on Designer Grey display board, 16"W x 11"H

**Finishes**





Knobs	Description	Overall Length	Width at Center	Projection	Hand Space	Foot Width	Foot Length	Inner Box	Price Code
449	square knob	1"	1"	1"	3/4"	1/2"	1/2"	25	[C]

Pulls	Center-to-Center	Overall Length	Width at Center	Projection	Hand Space	Foot Width	Foot Length	Inner Box	Price Code
449-3	3" CC	4"	5/8"	1-1/8"	7/8"	1/2"	1/2"	15	[D]
449-96	96 mm (3-3/4") CC	4-3/4"	5/8"	1-1/8"	7/8"	1/2"	1/2"	15	[D]
449-128	128 mm (5-1/16") CC	6-1/16"	5/8"	1-1/8"	7/8"	1/2"	1/2"	10	[E]
449-160	160 mm (6-5/16") CC	7-5/16"	5/8"	1-1/8"	7/8"	1/2"	1/2"	10	[F]

Display	Description
DBE1036-GRY	Hadly hardware on Designer Grey display board, 16"W x 11"H

 D833,249  
D833,252

**Finishes**





Shown in Matte Black

## FUN

Fun and lively, a soft square silhouette is echoed in Hadly's pull and knob. Flourishing quickly into a crowd favorite, extended lengths and finishes have been added to deepen its appeal.

*New finish for 2021*



Knobs	Description	Overall Length/		Projection	Hand Space	Foot Width	Foot Length	Inner Box	Price Code
		Diameter	Width at Center						
3970	round knob	1-3/16"	1-3/16"	1"	13/16"	9/16"	9/16"	25	[A]

Pulls	Center-to-Center	Overall Length	Width at Center	Projection	Hand Space	Foot Width	Foot Length	Inner Box	Price Code
254-96	96 mm (3-3/4") CC	5-3/4"	1/4"	15/16"	11/16"	11/16"	1-1/8"	20	[D]

Display	Description
DBE1032-GRY	Kenner hardware on Designer Grey display board, 16" W x 11" H

**Finishes**





Knobs	Description	Overall Length/		Projection	Hand Space	Foot Width	Foot Length	Inner Box	Price Code
		Diameter	Width at Center						
202	ringed knob	1-1/4"	1-1/4"	1"	5/8"	3/8"	3/8"	50	[A]
875	ringed button knob	1-5/16"	1-5/16"	11/16"	9/16"	5/16"	5/16"	100	[A]
878	button knob	1-3/16"	1-3/16"	1"	5/8"	11/16"	11/16"	50	[B]
WK150	dome knob	1-1/4"	1-1/4"	7/8"	9/16"	1/4"	1/4"	100	[A]

Pulls	Center-to-Center	Overall Length	Width at Center	Projection	Hand Space	Foot Width	Foot Length	Inner Box	Price Code
1018	3" CC	4-7/16"	7/16"	1"	11/16"	5/16"	5/16"	25	[A]
3208	3" CC	4-1/4"	5/16"	7/8"	5/8"	13/16"	7/8"	25	[A]
4655	128 mm (5-1/16") CC	6-1/4"	3/16"	1-1/4"	1-1/16"	7/16"	13/16"	25	[D]
CH3503 <sup>‡</sup>	3-1/2" CC	4-13/16"	2-3/16"	3/4"	3/16"	1-5/16"	1-5/16"	25	[D]
WP150 <sup>‡</sup>	3" CC	4-5/16"	2-15/16"	7/8"	7/8"	2-5/16"	4-5/16"	25	[D]
WB150*	4-11/16" CC backplate for knob	6-1/16"	7/8"	1/8"	-	1"	6-1/16"	50	[B]

<sup>‡</sup>This pull has posts that needs an easy extra step to achieve a flush mount. Once you have drilled your hole with a 3/16" bit, use a 1/4" bit to expand the hole on the face of the door/drawer front to seat the post of the pull.

\*Two attachment nails included with WB150 backplate

AB	Brushed Antique Brass
AE	Antique Brass



Pulls	Center-to-Center	Overall Length	Width at Center	Projection	Hand Space	Foot Width	Foot Length	Inner Box	Price Code
645-96	96 mm (3-3/4") CC	4-1/4"	1/2"	1-1/2"	1"	5/16"	15/16"	10	[E]
645-128	128 mm (5-1/16") CC	5-9/16"	1/2"	1-1/2"	1"	5/16"	15/16"	10	[F]
645-160	160 mm (6-5/16")	6-13/16"	1/2"	1-1/2"	1"	5/16"	15/16"	10	[F]
645-192	192 mm (7-9/16")	8-1/16"	1/2"	1-1/2"	1"	5/16"	15/16"	10	[G]
645-224	224 mm (8-13/16")	9-5/16"	1/2"	1-1/2"	1"	5/16"	15/16"	10	[G]
645-320	320 mm (12-5/8") CC	13-1/16"	1/2"	1-1/2"	1"	5/16"	15/16"	10	[H]

Display	Description
DBE1044-GRY	Knox hardware on Designer Grey display board, 16"W x 11"H

**Finishes**



**MB**  
Matte Black



**PC**  
Polished Chrome



**SN**  
Satin Nickel





Shown in Matte Black

## SUBTLE

A subtle reflection of a warded lock key, Knox pairs leading lines and intentional curves for a simple yet distinctive look. This closed-ended bar pull series offers a generous 1" hand clearance for an aesthetically pleasing option for aging in place and ADA projects.



Knobs	Description	Overall Length/		Projection	Hand Space	Foot Width	Foot Length	Inner Box	Price Code
		Diameter	Width at Center						
Z115	round knob	1-1/4"	1-1/4"	1-1/8"	7/8"	3/4"	3/4"	25	[B]
Z115L	oval knob	1-3/8"	13/16"	1-1/8"	7/8"	9/16"	9/16"	25	[B]

Pulls	Center-to-Center	Overall Length		Projection	Hand Space	Foot Width	Foot Length	Inner Box	Price Code
		Width at Center	Projection						
Z115-96	96 mm (3-3/4") CC	4-5/16"	5/8"	1-1/8"	15/16"	7/16"	7/16"	20	[C]
Z115-128	128 mm (5-1/16") CC	5-9/16"	11/16"	1-1/8"	7/8"	7/16"	7/16"	15	[G]

Display	Description
DBE1020-GRY	Lindos hardware on Designer Grey display board, 16"W x 11"H

**Finishes**





Knobs	Description	Overall Length/ Diameter	Width at Center	Projection	Hand Space	Foot Width	Foot Length	Inner Box	Price Code
3910	round knob	1-3/16"	1-3/16"	1-1/8"	5/8"	11/16"	11/16"	30	[B]

Pulls	Center-to-Center	Overall Length	Width at Center	Projection	Hand Space	Foot Width	Foot Length	Inner Box	Price Code
Z259-3	3" CC	3-3/8"	3/8"	1-1/8"	3/4"	3/8"	3/8"	50	[B]

Display	Description
DBE1040-GRY	Madison hardware on Designer Grey display board, 16"W x 11"H

**Finishes**



# Merryville

*New finish for 2021*



Knobs	Description	Overall Length	Width at Center	Projection	Hand Space	Foot Width	Foot Length	Inner Box	Price Code
897	small oval knob	1-1/8"	3/4"	1-1/4"	1/2"	9/16"	9/16"	20	[B]
897L	large oval knob	1-1/4"	7/8"	1-1/4"	1/2"	5/8"	5/8"	20	[B]

Pulls	Center-to-Center	Overall Length	Width at Center	Projection	Hand Space	Foot Width	Foot Length	Inner Box	Price Code
897-3	3" CC	5-1/8"	1/2"	1"	3/4"	9/16"	1-3/16"	20	[B]

Display	Description
DBE1033-GRY	Merryville hardware on Designer Grey display board, 16"W x 11"H

**Finishes**









Knobs	Description	Overall Length	Width at Center	Projection	Hand Space	Foot Width	Foot Length	Inner Box	Price Code
183	square knob	1"	1"	1-1/8"	13/16"	3/8"	1/2"	25	[C]

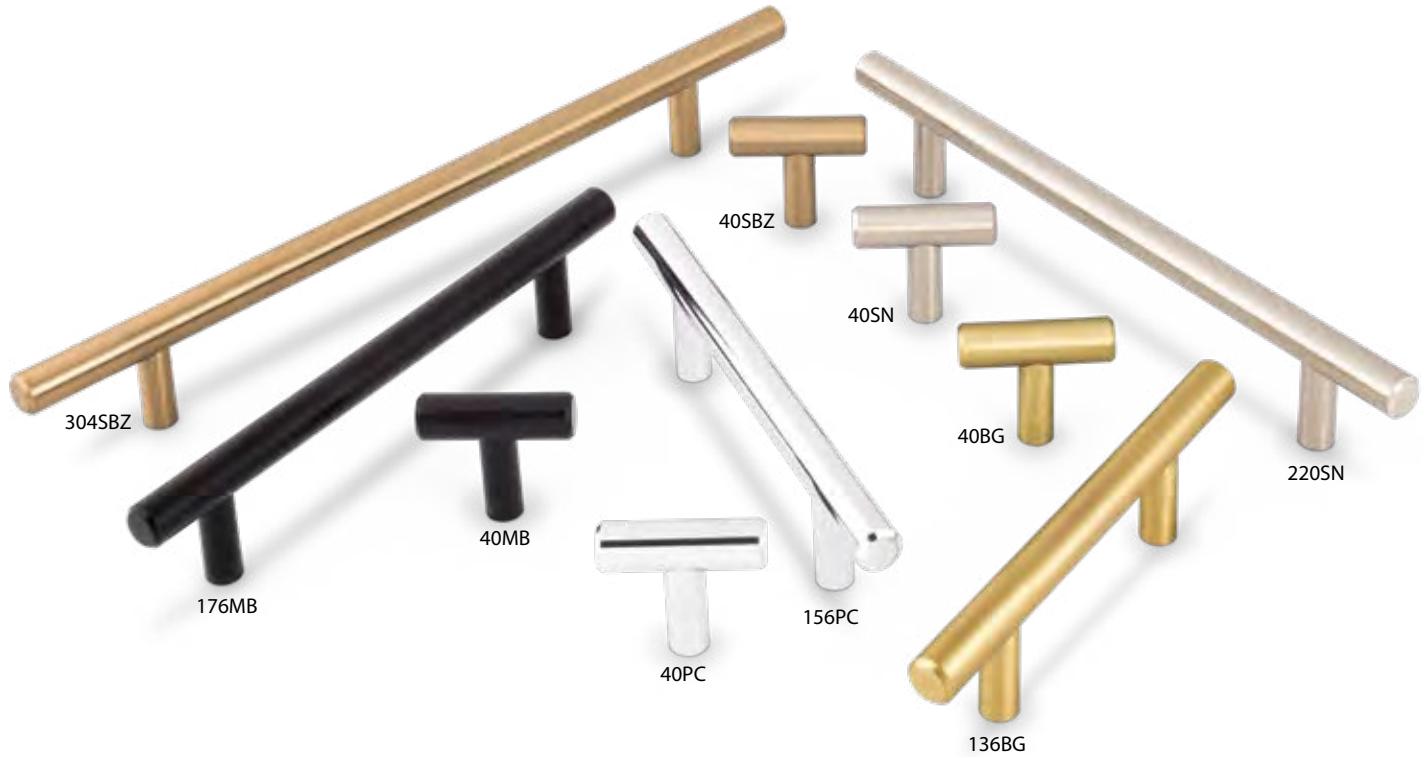
Pulls	Center-to-Center	Overall Length	Width at Center	Projection	Hand Space	Foot Width	Foot Length	Inner Box	Price Code
183-3	3" CC	3-3/4"	3/4"	1-1/8"	7/8"	5/16"	1/2"	15	[D]
183-96	96 mm (3-3/4") CC	4-1/2"	3/4"	1-1/8"	7/8"	5/16"	1/2"	15	[D]

Display	Description
DBE1038-GRY	Park hardware on Designer Grey display board, 16"W x 11"H

Finishes			
			
<b>BNBDL</b> Brushed Pewter	<b>DBAC</b> Brushed Oil Rubbed Bronze	<b>PC</b> Polished Chrome	<b>SN</b> Satin Nickel



 D833,250  
D833,253



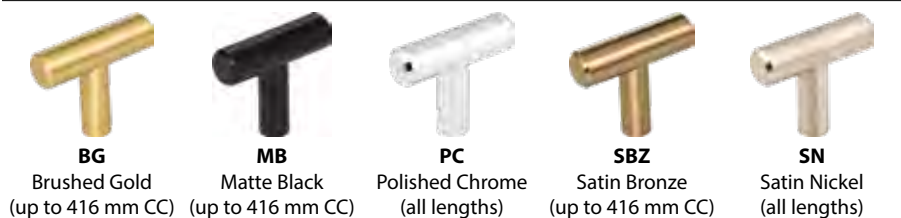
Knobs	Description	Overall Length	Width at Center	Projection	Hand Space	Foot Width	Foot Length	Inner Box	Price Code
40	T-knob	1-9/16"	1/2"	1-3/8"	7/8"	3/8"	3/8"	30	[B]

Pulls	Center-to-Center	Overall Length	Width at Center	Projection	Hand Space	Foot Width	Foot Length	Inner Box	Price Code
136	3" CC	5-3/8"	1/2"	1-3/8"	7/8"	3/8"	3/8"	10	[C]
156	96 mm (3-3/4") CC	6-1/8"	1/2"	1-3/8"	7/8"	3/8"	3/8"	10	[D]
176	128 mm (5-1/16") CC	6-15/16"	1/2"	1-3/8"	7/8"	3/8"	3/8"	10	[D]
206	128 mm (5-1/16") CC	8-1/8"	1/2"	1-3/8"	7/8"	3/8"	3/8"	10	[E]
220	160 mm (6-5/16") CC	8-11/16"	1/2"	1-3/8"	7/8"	3/8"	3/8"	10	[E]
272	192 mm (7-9/16") CC	10-11/16"	1/2"	1-3/8"	7/8"	3/8"	3/8"	10	[E]
304	224 mm (8-13/16") CC	11-15/16"	1/2"	1-3/8"	7/8"	3/8"	3/8"	10	[F]
336	256 mm (10-1/16") CC	13-1/4"	1/2"	1-3/8"	7/8"	3/8"	3/8"	10	[F]
368	288 mm (11-5/16") CC	14-1/2"	1/2"	1-3/8"	7/8"	3/8"	3/8"	10	[F]
399	319 mm (12-9/16") CC	15-11/16"	1/2"	1-3/8"	7/8"	3/8"	3/8"	10	[G]
496	416 mm (16-3/8") CC	19-1/2"	1/2"	1-3/8"	7/8"	3/8"	3/8"	10	[G]
560*	480 mm (18-7/8") CC	22-1/16"	1/2"	1-3/8"	7/8"	3/8"	3/8"	10	[H]
624*	544 mm (21-7/16") CC	24-9/16"	1/2"	1-3/8"	7/8"	3/8"	3/8"	10	[H]
720*	640 mm (25-3/16") CC	28-3/8"	1/2"	1-3/8"	7/8"	3/8"	3/8"	10	[J]
763*	673 mm (26-1/2") CC	30-1/16"	1/2"	1-3/8"	7/8"	3/8"	3/8"	10	[J]

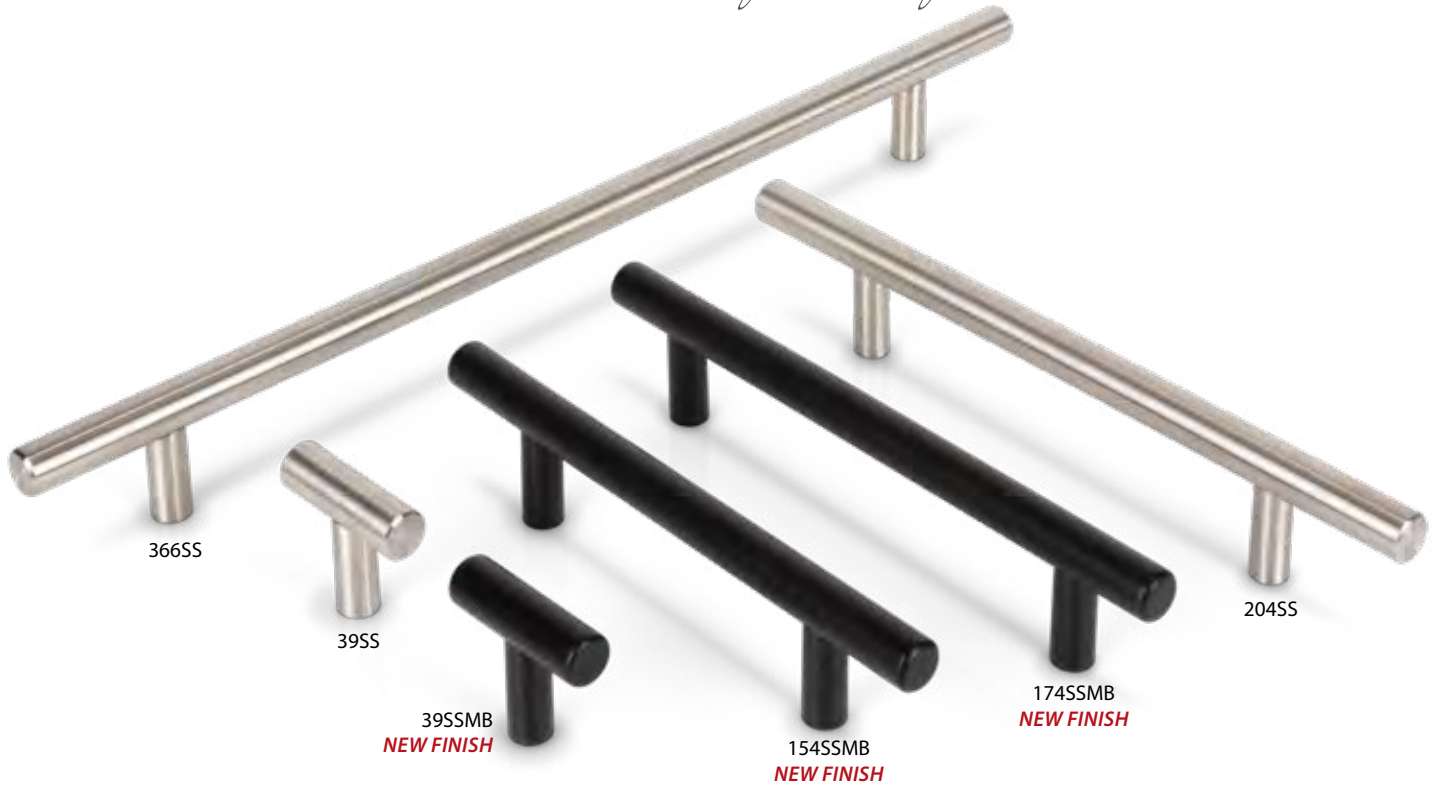
\*Available only in Polished Chrome and Satin Nickel

**Finishes**



**BG** Brushed Gold (up to 416 mm CC)    **MB** Matte Black (up to 416 mm CC)    **PC** Polished Chrome (all lengths)    **SBZ** Satin Bronze (up to 416 mm CC)    **SN** Satin Nickel (all lengths)

Display	Description
DBE1014-GRY	Naples hardware on Designer Grey display board, 16"W x 11"H



Knobs	Description	Overall Length	Width at Center	Projection	Hand Space	Foot Width	Foot Length	Inner Box	Price Code
39	T-knob	1-9/16"	1/2"	1-3/8"	7/8"	3/8"	3/8"	40	[A]
Pulls	Center-to-Center	Overall Length	Width at Center	Projection	Hand Space	Foot Width	Foot Length	Inner Box	Price Code
154	96 mm (3-3/4") CC	6-1/16"	1/2"	1-3/8"	7/8"	3/8"	3/8"	20	[C]
174	128 mm (5-1/16") CC	6-7/8"	1/2"	1-3/8"	7/8"	3/8"	3/8"	20	[D]
204	128 mm (5-1/16") CC	8-1/16"	1/2"	1-3/8"	7/8"	3/8"	3/8"	20	[E]
270	192 mm (7-9/16") CC	10-5/8"	1/2"	1-3/8"	7/8"	3/8"	3/8"	20	[E]
302	224 mm (8-13/16") CC	11-7/8"	1/2"	1-3/8"	7/8"	3/8"	3/8"	20	[E]
334	256 mm (10-1/16") CC	13-1/8"	1/2"	1-3/8"	7/8"	3/8"	3/8"	20	[F]
366	288 mm (11-5/16") CC	14-7/16"	1/2"	1-3/8"	7/8"	3/8"	3/8"	10	[F]
397	319 mm (12-9/16") CC	15-5/8"	1/2"	1-3/8"	7/8"	3/8"	3/8"	10	[F]
494	416 mm (16-3/8") CC	19-7/16"	1/2"	1-3/8"	7/8"	3/8"	3/8"	10	[G]
558	480 mm (18-7/8") CC	21-15/16"	1/2"	1-3/8"	7/8"	3/8"	3/8"	10	[G]
622	544 mm (21-7/16") CC	24-1/2"	1/2"	1-3/8"	7/8"	3/8"	3/8"	10	[H]
719	640 mm (25-3/16") CC	28-5/16"	1/2"	1-3/8"	7/8"	3/8"	3/8"	10	[H]
761	673 mm (26-1/2") CC	29-15/16"	1/2"	1-3/8"	7/8"	3/8"	3/8"	10	[H]

Display	Description
DBE1014-GRY	Naples hardware on Designer Grey display board, 16" W x 11" H

Finishes



**SS**  
Stainless Steel



**SSMB NEW**  
Matte Black Stainless Steel







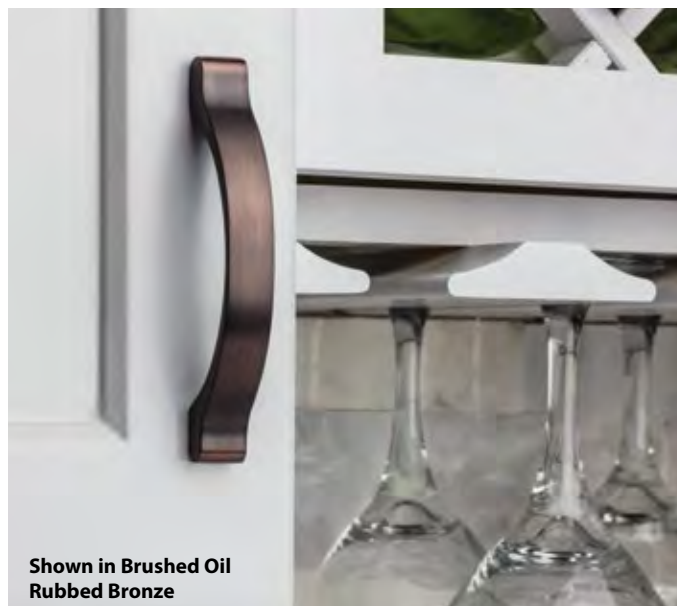
Knobs	Description	Overall Length/ Diameter	Width at Center	Projection	Hand Space	Foot Width	Foot Length	Inner Box	Price Code
511	round knob	1-1/4"	1-1/4"	1-1/8"	7/8"	3/8"	3/8"	25	[B]

Pulls	Center-to-Center	Overall Length	Width at Center	Projection	Hand Space	Foot Width	Foot Length	Inner Box	Price Code
511-3	3" CC	4-1/16"	5/8"	1-1/8"	1"	5/8"	5/8"	15	[D]
511-96	96 mm (3-3/4") CC	4-7/8"	5/8"	1-1/8"	1"	5/8"	5/8"	15	[D]

Display	Description
DBE1037-GRY	Seaver hardware on Designer Grey display board, 16"W x 11"H

Finishes			
			
<b>BNBDL</b> Brushed Pewter	<b>DBAC</b> Brushed Oil Rubbed Bronze	<b>PC</b> Polished Chrome	<b>SN</b> Satin Nickel





*New finishes for 2021*



Knobs	Description	Overall Length/		Projection	Hand Space	Foot Width	Foot Length	Inner Box	Price Code
		Diameter	Width at Center						
26	round knob	1"	1"	15/16"	15/16"	3/8"	3/8"	30	[B]

Pulls	Center-to-Center	Overall Length	Width at Center	Projection	Hand Space	Foot Width	Foot Length	Inner Box	Price Code
475	96 mm (3-3/4") CC	4-3/4"	3/8"	1-1/4"	11/16"	5/16"	5/16"	10	[E]
600	128 mm (5-1/16") CC	6"	3/8"	1-1/4"	11/16"	5/16"	5/16"	10	[F]

Display	Description
DBE1017-GRY	Sedona hardware on Designer Grey display board, 16"W x 11"H

**Finishes**



**MB NEW**  
Matte Black



**SBZ NEW**  
Satin Bronze



**SN**  
Satin Nickel



Shown in Satin Bronze



Knobs	Description	Overall Length/ Diameter	Width at Center	Projection	Hand Space	Foot Width	Foot Length	Inner Box	Price Code
3915	round knob	1"	1"	1"	3/4"	11/16"	11/16"	50	[A]

Pulls	Center-to-Center	Overall Length	Width at Center	Projection	Hand Space	Foot Width	Foot Length	Inner Box	Price Code
984-3	3" CC	3-3/8"	7/16"	7/8"	3/4"	5/16"	5/16"	30	[C]
984-96	96 mm (3-3/4") CC	4-1/8"	7/16"	7/8"	3/4"	5/16"	5/16"	25	[C]
984-128	128 mm (5-1/16") CC	5-1/2"	1/2"	7/8"	3/4"	5/16"	5/16"	25	[D]
984-160	160 mm (6-5/16") CC	6-11/16"	1/2"	7/8"	3/4"	5/16"	5/16"	15	[D]
984-192	192 mm (7-9/16") CC	7-15/16"	1/2"	7/8"	3/4"	5/16"	5/16"	15	[E]

**Display**      **Description**  
DBE1028-GRY      Slade hardware on Designer Grey display board, 16"W x 11"H

**Finishes**



**BNBDL**      **DACM**      **DBAC**      **PC**      **SN**  
Brushed Pewter      Gun Metal      Brushed Oil Rubbed Bronze      Polished Chrome      Satin Nickel

*New finishes for 2021*



Pulls	Center-to-Center	Overall Length	Width at Center	Projection	Hand Space	Foot Width	Foot Length	Inner Box	Price Code
8004	96 mm (3-3/4") CC	4-15/16"	3/8"	1-1/16"	15/16"	3/8"	3/4"	30	[C]
81065	128 mm (5-1/16") CC	6-1/8"	3/8"	1-3/16"	1"	3/8"	3/4"	25	[D]
80814	96 mm (3-3/4") CC	5"	7/16"	7/8"	3/4"	1/2"	7/8"	30	[B]
80815	128 mm (5-1/16") CC	6-5/16"	1/2"	1-1/8"	15/16"	9/16"	7/8"	25	[D]

Display	Description
DBE1008-GRY	Somerset hardware on Designer Grey display board, 16"W x 11"H

**Finishes**



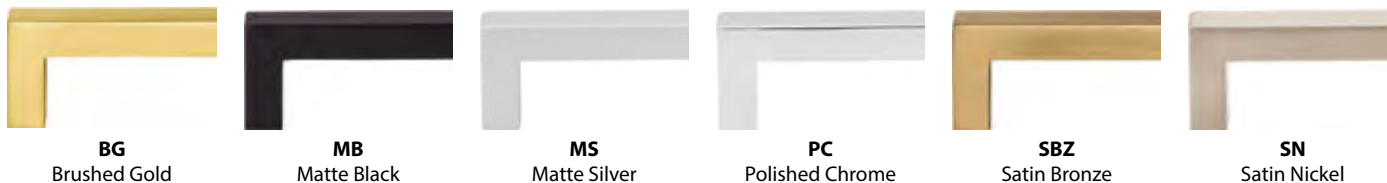


Pulls	Center-to-Center	Overall Length	Width at Center	Projection	Hand Space	Foot Width	Foot Length	Inner Box	Price Code
625-3	3" CC	3-3/8"	3/8"	1-1/8"	3/4"	3/8"	3/8"	20	[D]
625-96	96 mm (3-3/4") CC	4-1/8"	3/8"	1-1/8"	3/4"	3/8"	3/8"	25	[E]
625-128	128 mm (5-1/16") CC	5-3/8"	3/8"	1-1/8"	3/4"	3/8"	3/8"	20	[E]
625-160	160 mm (6-5/16") CC	6-5/8"	3/8"	1-1/8"	3/4"	3/8"	3/8"	10	[F]
625-192	192 mm (7-9/16") CC	7-15/16"	3/8"	1-1/8"	3/4"	3/8"	3/8"	10	[F]
625-224	224 mm (8-13/16") CC	9-3/16"	3/8"	1-1/8"	3/4"	3/8"	3/8"	10	[G]
625-320	320 mm (12-5/8") CC	12-15/16"	3/8"	1-1/8"	3/4"	3/8"	3/8"	10	[H]
625-448	448 mm (17-5/8") CC	18"	3/8"	1-1/8"	3/4"	3/8"	3/8"	10	[J]

**Display Description**

DBE1021-GRY Stanton hardware on Designer Grey display board, 16" W x 11" H

**Finishes**



**BG**  
Brushed Gold

**MB**  
Matte Black

**MS**  
Matte Silver

**PC**  
Polished Chrome

**SBZ**  
Satin Bronze

**SN**  
Satin Nickel



Shown in Matte Black

## CONFIDENT

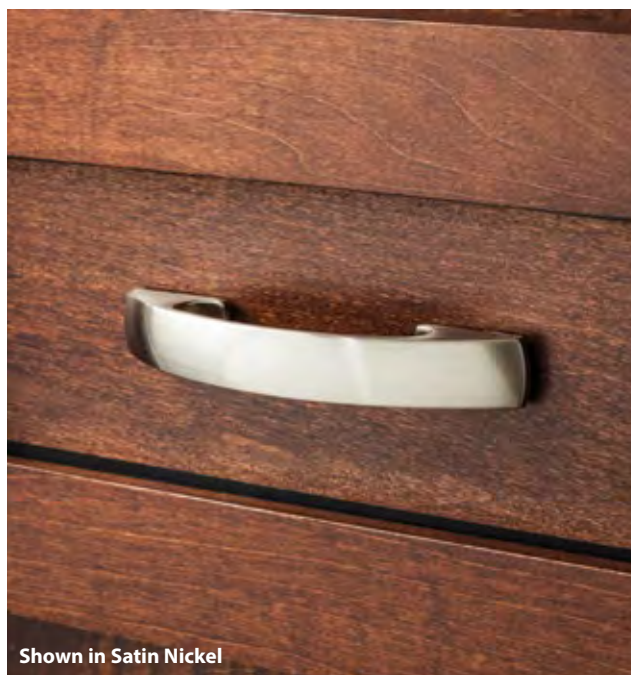
Sleek, clean and confident, Stanton is a perfect alternative to the traditional rounded bar pull look. With extended lengths and six finishes to choose from, this pull series flawlessly suits all cabinet styles.



Pulls	Center-to-Center	Overall Length	Width at Center	Projection	Hand Space	Foot Width	Foot Length	Inner Box	Price Code
771-3	3" CC	4-1/2"	5/8"	15/16"	13/16"	5/8"	1-1/8"	20	[D]
771-96	96 mm (3-3/4") CC	5-3/16"	5/8"	15/16"	13/16"	5/8"	1-1/8"	20	[D]
771-128	128 mm (5-1/16") CC	6-5/16"	5/8"	1"	7/8"	5/8"	1-1/8"	20	[E]
771-160	160 mm (6-5/16") CC	7-11/16"	5/8"	1-1/16"	15/16"	5/8"	1-3/16"	20	[F]

Display	Description
DBE1027-GRY	Strickland hardware on Designer Grey display board, 16"W x 11"H

Finishes			
			
<b>BNBDL</b> Brushed Pewter	<b>DBAC</b> Brushed Oil Rubbed Bronze	<b>PC</b> Polished Chrome	<b>SN</b> Satin Nickel



Shown in Satin Nickel



Knobs	Description	Overall Length/		Projection	Hand Space	Foot Width	Foot Length	Inner Box	Price Code
		Diameter	Width at Center						
575	round knob	1-3/16"	1-3/16"	7/8"	7/8"	3/4"	3/4"	30	[B]

Pulls	Center-to-Center	Overall Length	Width at Center	Projection	Hand Space	Foot Width	Foot Length	Inner Box	Price Code

Display	Description
DBE1019-GRY	Syracuse hardware on Designer Grey display board, 16" W x 11" H

**Finishes**



**BNBDL** Brushed Pewter      **DBAC** Brushed Oil Rubbed Bronze      **PC** Polished Chrome      **SN** Satin Nickel



Knobs	Description	Overall Length	Width at Center	Projection	Hand Space	Foot Width	Foot Length	Inner Box	Price Code
859T	T-knob	1-1/2"	7/16"	1"	3/4"	5/16"	7/16"	25	[B]

Pulls	Center-to-Center	Overall Length	Width at Center	Projection	Hand Space	Foot Width	Foot Length	Inner Box	Price Code
859-3	3" CC	5-1/4"	7/16"	1-1/16"	13/16"	5/16"	7/16"	25	[C]
859-96	96 mm (3-3/4") CC	6"	7/16"	1-1/8"	15/16"	5/16"	7/16"	25	[C]
859-128	128 mm (5-1/16") CC	7-1/4"	7/16"	1-1/8"	15/16"	5/16"	7/16"	25	[D]
859-160	160 mm (6-5/16") CC	8-1/2"	7/16"	1-3/16"	15/16"	5/16"	7/16"	25	[E]

Display	Description
DBE1045-GRY	Thatcher hardware on Designer Grey display board, 16"W x 11"H

**Finishes**







Shown in Brushed Gold

## CASUAL

A slightly round strap sitting atop the rounded feet of Thatcher creates a casual, easy-going vibe. A matching T-knob combined with extended lengths and top trending finishes make this collection the perfect match for any style of cabinets.

# Torino

*New finish for 2021*



**Aluminum Pulls**

Aluminum Pulls	Center-to-Center	Overall Length	Width at Center	Projection	Hand Space	Foot Width	Foot Length	Inner Box	Price Code
A271-3AL	3" CC	3-5/16"	5/16"	1-1/4"	15/16"	5/16"	5/16"	30	[A]
A271-3.5AL	3-1/2" CC	3-13/16"	5/16"	1-1/4"	15/16"	5/16"	5/16"	30	[A]
A271-96AL	96 mm (3-3/4") CC	4-1/16"	5/16"	1-1/4"	15/16"	5/16"	5/16"	30	[A]
A271-4AL	4" CC	4-5/16"	5/16"	1-1/4"	15/16"	5/16"	5/16"	30	[A]

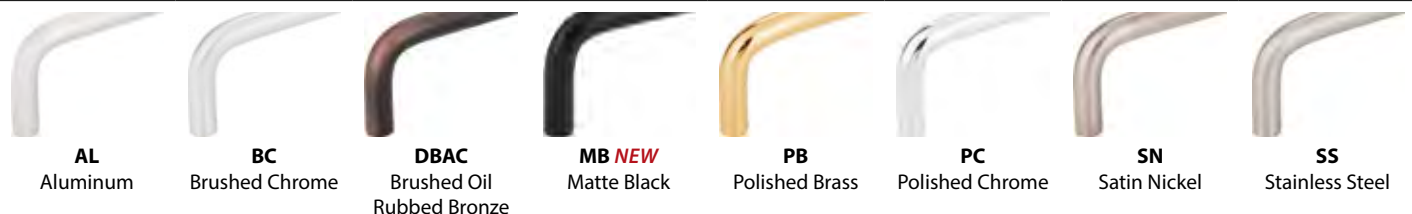
**Stainless Steel Pulls**

Stainless Steel Pulls	Center-to-Center	Overall Length	Width at Center	Projection	Hand Space	Foot Width	Foot Length	Inner Box	Price Code
K271-3SS	3" CC	3-5/16"	5/16"	1-1/4"	15/16"	5/16"	5/16"	30	[D]
K271-3.5-SS	3-1/2" CC	3-13/16"	5/16"	1-1/4"	15/16"	5/16"	5/16"	30	[C]
K271-96-SS	96 mm (3-3/4") CC	4-1/16"	5/16"	1-1/4"	15/16"	5/16"	5/16"	30	[C]
K271-4SS	4" CC	4-5/16"	5/16"	1-1/4"	15/16"	5/16"	5/16"	30	[D]

**Steel Pulls**

Steel Pulls	Center-to-Center	Overall Length	Width at Center	Projection	Hand Space	Foot Width	Foot Length	Inner Box	Price Code
S271-3	3" CC	3-5/16"	5/16"	1-1/4"	15/16"	5/16"	5/16"	30	[A]
S271-3.5	3-1/2" CC	3-13/16"	5/16"	1-1/4"	15/16"	5/16"	5/16"	30	[A]
S271-96	96 mm (3-3/4") CC	4-1/16"	5/16"	1-1/4"	15/16"	5/16"	5/16"	30	[A]
S271-4	4" CC	4-5/16"	5/16"	1-1/4"	15/16"	5/16"	5/16"	30	[A]
S271-128	128 mm (5-1/16") CC	5-3/8"	5/16"	1-1/4"	15/16"	5/16"	5/16"	20	[A]

**Finishes**





Knobs	Description	Overall Length	Width at Center	Projection	Hand Space	Foot Width	Foot Length	Inner Box	Price Code
413322*	T-knob	1-9/16"	1/2"	7/8"	7/16"	3/8"	3/4"	100	[A]
409222*	T-knob	1-9/16"	1/2"	7/8"	7/16"	3/8"	3/4"	100	[A]

Pulls	Center-to-Center	Overall Length	Width at Center	Projection	Hand Space	Foot Width	Foot Length	Inner Box	Price Code
Z105	3" CC	3-7/8"	5/16"	1-1/16"	3/4"	1/4"	1/4"	50	[B]
4655	128 mm (5-1/16") CC	6-1/4"	3/16"	1-1/4"	1-1/16"	7/16"	13/16"	25	[D]
346564	128 mm (5-1/16") CC	6"	3/8"	1-1/8"	3/4"	3/8"	5/8"	30	[D]
4307305	192 mm (7-9/16") CC	8-5/8"	3/8"	1-3/8"	15/16"	3/8"	3/8"	20	[E]
413321*	128 mm (5-1/16") CC	7-3/8"	9/16"	1-3/8"	7/8"	5/16"	5/16"	20	[E]
409223*	128 mm (5-1/16") CC	7-3/8"	9/16"	1-3/8"	7/8"	5/16"	5/16"	20	[E]
7210	3" CC cup pull	5-3/4"	13/16"	1"	7/8"	1/4"	1/4"	50	[C]
R1011†	3" CC pull & backplate	3-13/16"	2-1/16"	1/2"	1/16"	2-1/16"	3-13/16"	15	[E]
R1012‡	2-1/4" CC vertical pull & backplate	3-13/16"	1-1/2"	1/2"	1/16"	1"	3-13/16"	25	[D]

\*M4 attachment screws included with this collection

† Attachment screws not included - use item number 32BREAK. This pull has posts that needs an easy extra step to achieve a flush mount. Once you have drilled your hole with a 3/16" bit, use a 1/4" bit to expand the hole on the face of the door/drawer front to seat the post of the pull.

AB	Brushed Antique Brass
BLK/MB	Matte Black
MS	Matte Silver
SN	Satin Nickel



Knobs	Description	Overall Length/ Diameter	Width at Center	Projection	Hand Space	Foot Width	Foot Length	Inner Box	Price Code
110	stacked knob	1-1/4"	1-1/4"	1-1/16"	3/4"	13/16"	13/16"	30	[B]
202	ringed knob	1-1/4"	1-1/4"	1"	5/8"	3/8"	3/8"	50	[A]

Pulls	Center-to-Center	Overall Length	Width at Center	Projection	Hand Space	Foot Width	Foot Length	Inner Box	Price Code
110-3	3" CC	5-1/2"	1/2"	1-3/16"	13/16"	3/4"	1-3/8"	25	[C]
P106	3" CC	5-1/16"	9/16"	15/16"	11/16"	9/16"	1"	50	[B]

**Finishes**



**DBAC**  
Brushed Oil  
Rubbed Bronze



**SN**  
Satin Nickel



Shown in Brushed Oil Rubbed Bronze







Knobs	Description	Overall Length/ Diameter	Width at Center	Projection	Hand Space	Foot Width	Foot Length	Inner Box	Price Code
647	round knob	1-1/8"	1-1/8"	15/16"	11/16"	5/8"	5/8"	20	[A]

Pulls	Center-to-Center	Overall Length	Width at Center	Projection	Hand Space	Foot Width	Foot Length	Inner Box	Price Code
647-3	3" CC	4-5/8"	1/2"	1"	3/4"	7/8"	15/16"	15	[B]
647-96	96 mm (3-3/4") CC	5-3/8"	1/2"	1"	3/4"	7/8"	15/16"	20	[D]

Display	Description
DBE1031-GRY	Watervale hardware on Designer Grey display board, 16"W x 11"H

Finishes			
			
<b>BNBDL</b> Brushed Pewter	<b>DBAC</b> Brushed Oil Rubbed Bronze	<b>PC</b> Polished Chrome	<b>SN</b> Satin Nickel





Knobs	Description	Overall Length/ Diameter	Width at Center	Projection	Hand Space	Foot Width	Foot Length	Inner Box	Price Code
3898	round knob	1-3/16"	1-3/16"	1-1/4"	1-1/4"	11/16"	11/16"	20	[C]

Pulls	Center-to-Center	Overall Length	Width at Center	Projection	Hand Space	Foot Width	Foot Length	Inner Box	Price Code
3899	3" CC	5-3/16"	5/16"	15/16"	3/4"	13/16"	1-5/16"	25	[B]

Display	Description
DBE1016-GRY	Westbury hardware on Designer Grey display board, 16" W x 11" H

Finishes			
			
<b>BNBDL</b> Brushed Pewter	<b>DBAC</b> Brushed Oil Rubbed Bronze	<b>PC</b> Polished Chrome	<b>SN</b> Satin Nickel





Knobs	Description	Overall Length/ Diameter	Width at Center	Projection	Hand Space	Foot Width	Foot Length	Inner Box	Price Code
988	round knob	1-1/16"	1-1/16"	1"	3/4"	7/16"	7/16"	25	[A]

Pulls	Center-to-Center	Overall Length	Width at Center	Projection	Hand Space	Foot Width	Foot Length	Inner Box	Price Code
988-3	3" CC	3-3/4"	3/8"	1-3/16"	3/4"	5/16"	9/16"	20	[B]
988-96	96 mm (3-3/4") CC	4-1/2"	3/8"	1-3/16"	3/4"	5/16"	9/16"	20	[D]
988-128	128 mm (5-1/16") CC	5-3/4"	1/2"	1-1/4"	3/4"	5/16"	9/16"	15	[D]
988-160	160 mm (6-5/16") CC	7-1/16"	1/2"	1-1/4"	3/4"	5/16"	9/16"	10	[E]

Display	Description
DBE1030-GRY	Zachary hardware on Designer Grey display board, 16"W x 11"H

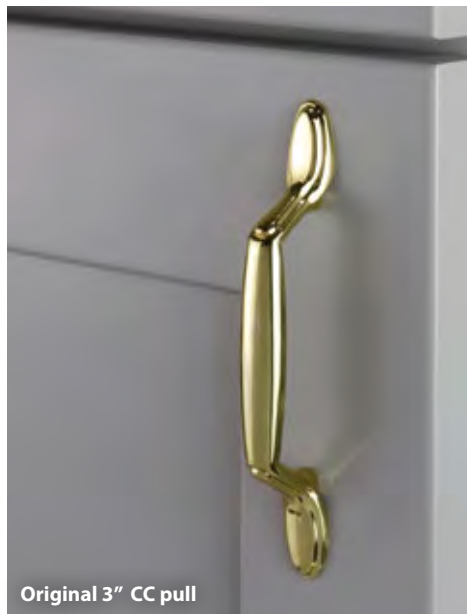
Finishes



**BNBDL** Brushed Pewter    **DBAC** Brushed Oil Rubbed Bronze    **MB NEW** Matte Black    **PC** Polished Chrome    **SN** Satin Nickel

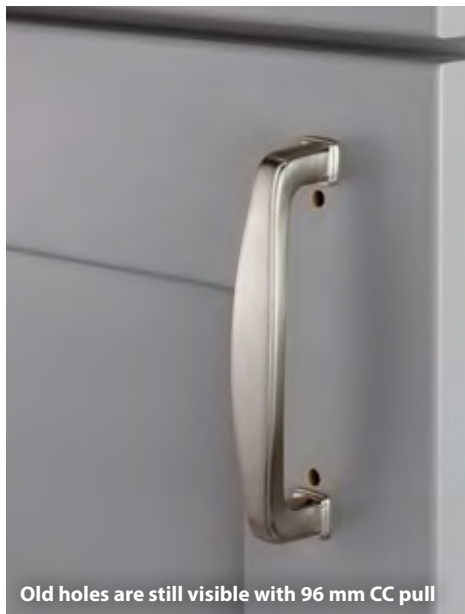
# Pull Escutcheons

Pull Escutcheons are a low profile transition from existing 3" CC holes to longer 96 mm CC, or 4-1/4" CC to 128 mm CC. Paired with our most popular cabinet pulls, they virtually disappear once installed. A second pair can be used on the inside of the cabinet door to cover the back of the original holes.



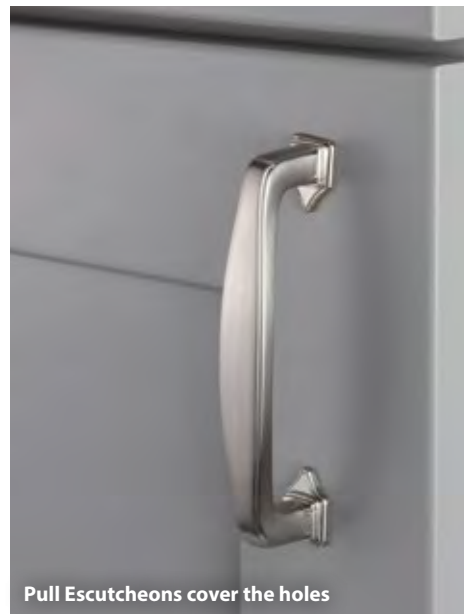
Original 3" CC pull

P106-PBM shown in use



Old holes are still visible with 96 mm CC pull

1092SN shown in use



Pull Escutcheons cover the holes

1092SN and PE03SN shown in use

Item	Finishes	Inner Box	Price Code	Coordinating Pulls
PE01	ABSB, BNBDL, DACM, DBAC, SN	50	[A]	Lille (415-96)
PE02	ABM-D, ABSB, BNBDL, DACM, DBAC, DMAC, SIM, SN	50	[A]	Bella (818-96), Bremen 2 (537), Brenton (239-96), Chesapeake (737-96), Durham (Z290-96), Key West (146, 152), Lafayette (317-96), Naples (156), Sedona (475), Prestige (918-96)
PE03	AB, ABSB, AEM, BNBDL, DACM, DBAC, PC, SBN, SN	50	[A]	Katharine (188-96), Key Grande (596), Modena (910-96), Milan 1 (1092), Rhodes (Z261-96)
PE04	ABM-D, ABSB, DACM, DBAC, SIM	50	[A]	Bremen 1 (527), Tuscany (749-96B)
PE05	ABSB, BNBDL, DBAC	50	[A]	Bienville (959-96)
PE06	ABSB, BNBDL, DBAC, NI, SN	50	[A]	Delgado (519-96), Hudson (650-96)
PE07	ABM-D, DACM, DMAC, SIM-D	50	[A]	Belcastel 1 (MO6373)
PE08	ABSB, BNBDL, DACM, DBAC, SN	50	[A]	Symphony (1977)



Item	Description
DG01	Drill guide centering 96 mm CC over 3" CC. Has holes at 96 mm CC and nibs that fit into 3" CC holes.



**PE01**  
Antique Brushed Satin Brass



**PE02**  
Distressed Oil Rubbed Bronze



**PE03**  
Polished Chrome



**PE04**  
Brushed Oil Rubbed Bronze



**PE05**  
Brushed Pewter



**PE06**  
Satin Nickel



**PE07**  
Distressed Antique Brass



**PE08**  
Gun Metal





Shown with Gibson knob 105SN



Shown with Durham pull Z290-96-MB



Plain detail



Rope detail

Item	Description	Finishes	Overall Length	Width	Inner Box	Price Code
B812	plain knob backplate	AB, ABM-D, ABSB, AEM, ASM, BC, BLK, BNB, BNBDL, DACM, DBAC, ORB, PC, SB, SBN, SN	2-13/16"	1"	50	[C]
B812-96	plain 96 mm CC backplate	AB, ABM-D, ABSB, AEM, ASM, BC, BK, BNB, BNBDL, DACM, DBAC, ORB, PC, SB, SBN, SN	6-1/8"	1-1/4"	30	[E]
B812-96R	rope 96 mm CC backplate	ABSB, BNB, BNBDL, DACM, DBAC, ORB, SN	6-1/8"	1-1/4"	30	[E]

### Finishes





CL101DBAC



CL101NI



CL101SN

Item	Description	Height	Inner Box	Price Code
CL101	Cabinet Latch 1-3/4" (screws included)	1-3/4	25	[G]

**Finishes**



- DBAC**  
 Brushed Oil  
 Rubbed Bronze
- NI**  
 Polished Nickel
- SN**  
 Satin Nickel



0128AB



0138DBAC



0148MB

"A" style slim form minaret tips



0158NI

"B" style rounded minaret tips



0178SN

Item	Description	Height	Inner Box	Master Carton	Finishes
0128	Full Wrap Around Hinge, 270° opening	2-3/4"	-	250	AB, DBAC, MB, SN
0138	Full Wrap Around Hinge, 270° opening	2-3/4"	20	200	DBAC, MB, NI, SN
0148	Partial Wrap Around Hinge, 270° opening	2-3/4"	-	250	AB, DBAC, MB, SN
0158	Partial Wrap Around Hinge, 270° opening	2-3/4"	50	300	DBAC, NI, SN
0178	Partial Wrap Around Hinge, 270° opening	4"	50	200	DBAC, NI, SN

\*Finial hinges are designed for 3/4" frame material and 3/4" thick door

### Finishes



**AB**

Brushed Antique Brass



**DBAC**

Brushed Oil Rubbed Bronze



**MB**

Matte Black



**NI**

Polished Nickel



**SN**

Satin Nickel

# SAVE TIME & MONEY

installing decorative hardware



## Professional Grade Drilling Jig

- Fast and accurate
- Adjustable for up to 12" CC
- Centers on any width drawer up to 16" wide
- Stile and rail minimum width of 1/2"
- Durable aircraft quality anodized aluminum
- Made in the USA



Professional Grade  
Hardware Drilling Jig  
Item #: HDJ-300

### Includes:

- T-square with center bushing
- 2 sliding drill guides
- End stop
- Top stop
- 5 mm drill bit
- Carrying Case





## Drilling Jig Extension Set

- Allows for fast installation of cabinet handles up to 38" CC (960mm) when attached to HDJ-300 (Sold Separately)
- End Stop centers on any width of drawer up to 42" depth
- Doubles as a portable 32mm shelf pin jig
- Stile and rail minimum width of 1/2"
- Durable aircraft quality anodized aluminum
- Made in the USA

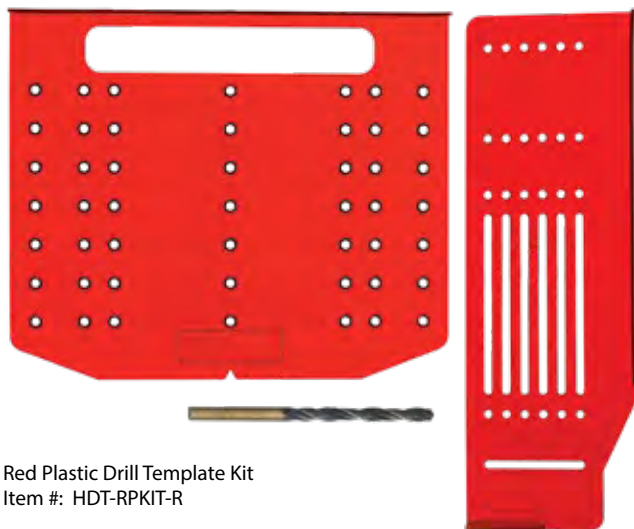


### Includes:

- Long Pull / Shelf Pin Extensions
- Extended Ruler Attachment w/ Double Bracket
- 5mm Drill Bit
- Carrying Case



Hardware Drilling Jig Extension Set  
Item #: HDJ-960-EXT



Red Plastic Drill Template Kit  
Item #: HDT-RPKIT-R

## Knob & Pull Drill Template Kit

- Easily install knobs and pulls ranging from 3" to 128 mm (5-1/16") CC on cabinet doors and drawers in three to four easy steps.
- Align the template on the cabinet door or drawer and mark the desired locations of your hardware. Drill using the 3/16" drill bit, then install!
- Retail packaged

### Includes:

- Red Plastic Door Template
- Red Plastic Drawer Template
- 3/16" drill bit



## Large Selection – Small Footprint



36 Board Tower  
Part number DISPLAY-36  
35" x 35" x 81"

36 Board Tower is our most popular display

18 Board Compact Tower

Revolves 360°

24" base footprint

Contemporary design

3 Jeffrey Alexander® headers included

Elements™ headers also available

### Over 100 collections

60+ collections and 2000 products in the Jeffrey Alexander brand

40+ collections and 950 products in the Elements brand

Decorative Hardware Boards can be displayed on a 36-Board tower, an 18-Board tower, or wall/slat wall mounted

Ask about the most popular collections in your area



18 Board Tower  
Part number DISPLAY-18  
24" x 24" x 81"

Display Towers	Description
DISPLAY-36	36-board tower with Jeffrey Alexander headers
DISPLAY-18	18-board tower with Jeffrey Alexander headers

Accessories	Description
D-36-HEAD-ELE	Elements header for DISPLAY-36
D-18-HEAD-ELE	Elements header for DISPLAY-18
DBSWM	Slat wall bracket for display boards
DBWM	Wall mounting bracket for boards



### Designer Grey display boards

- Stylish design
- Multiple finishes displayed
- Black edge on grey
- Attractive Metal logo
- Price code on each piece
- Board Dimensions:
  - Single Board 16" W x 11" L
  - Double Board 16" W x 22" L

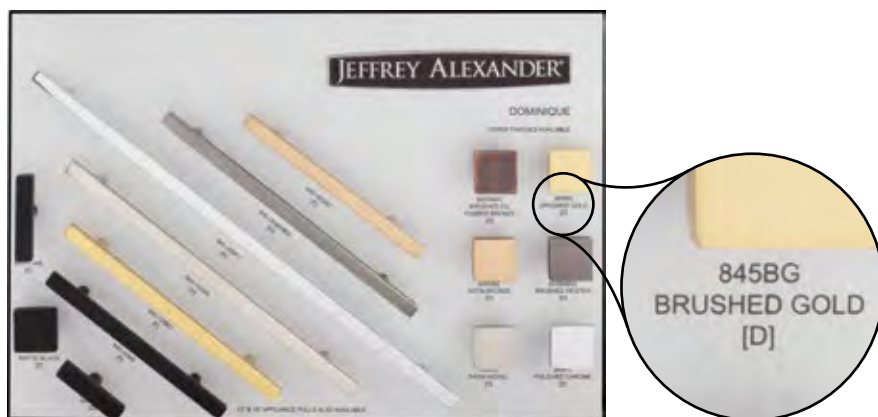
### Quickly select decorative hardware

The price code on our Designer Grey display boards under each piece, and a corresponding price code key on the tower edge or wall, make it fast and simple for your staff and your customer to know the approximate price at a glance.

- Price code key available in a sticker for the tower (part number DISPLAY-KEY19) or as a printable PDF for framing.
- Prices on the printable price code key can be modified by you for your market
- Change prices each year by changing the price code key, not the display board

Label	Price Range
[A]	Under \$3.25
[B]	~\$3.25 – \$4.25
[C]	~\$4.25 – \$5.50
[D]	~\$5.50 – \$7.75
[E]	~\$7.75 – \$9.75
[F]	~\$9.75 – \$13.00
[G]	~\$13.00 – \$16.25
[H]	~\$16.25 – \$21.50
[J]	~\$21.50 – \$27.00
[K]	See Sales Associate

Part number for price code label:  
DISPLAY-KEY19



Price codes are listed on our Designer Grey boards as well as on every collection page in this catalog

Price Range subject to change. Please contact your sales representative to ensure you have the most recent price range.

◆ Patented & Original Designs



**Aberdeen** ◆

DB983-GRY



**Alvar** ◆

DB801-GRY



**Annadale** ◆

DB982-GRY



**Anwick** ◆

DB993-GRY



**Belcastel 1** ◆

DB971-GRY



**Bella** ◆

DB975-GRY

Display boards are 16" x 11"



◆ Patented & Original Designs



**Bienville** ◆

DB961-GRY



**Bordeaux**

DB925-GRY



**Boswell** ◆

DB805-GRY



**Bremen 1** ◆

DB974-GRY



**Bremen 2** ◆

DB973-GRY



**Cairo**

DB981-GRY

Display boards are 16" x 11"

◆ Patented & Original Designs



**Callie** ◆

DB998-GRY



**Carmen** ◆ *NEW*

DB817-GRY



**Chesapeake**

DB941-GRY



**Cordova**

DB955-GRY



**Delgado** ◆

DB944-GRY



**Delmar** ◆

DB980-GRY

Display boards are 16" x 11"

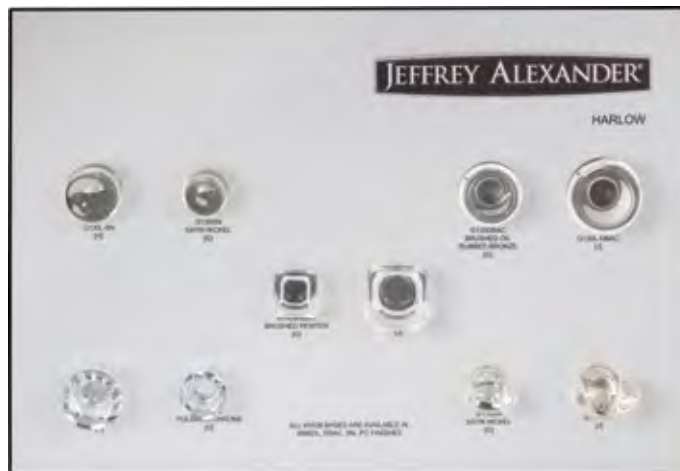


◆ Patented & Original Designs



**Glenmore**

DB911-GRY



**Harlow**

DB992-GRY



**Hayworth** ◆

DB999-GRY



**Hudson**

DB962-GRY



**Katharine** ◆

DB991-GRY



**Key Grande**

DB963-GRY

Display boards are 16" x 11"



◆ Patented & Original Designs



**Lyon**

DB924-GRY



**Marie** ◆ **NEW**

DB816-GRY



**Marlo** ◆

DB997-GRY



**Maybeck** ◆

DB987-GRY



**Merrick**

DB984-GRY



**Milan 1** ◆

DB988-GRY

Display boards are 16" x 11"

◆ Patented & Original Designs



**Mirada**

DB929-GRY



**Modena** ◆

DB951-GRY



**Philip** ◆

DB815-GRY



**Prestige** ◆

DB976-GRY



**Rae** ◆

DB995-GRY



**Regan**

DB985-GRY

Display boards are 16" x 11"

◆ Patented & Original Designs



**Rhodes**

DB970-GRY



**Roman** ◆

DB812-GRY



**Royce**

DB990-GRY



**Solana** ◆

DB803-GRY



**Sonoma**

DB964-GRY



**Sullivan** ◆

DB810-GRY

Display boards are 16" x 11"



◆ Patented & Original Designs



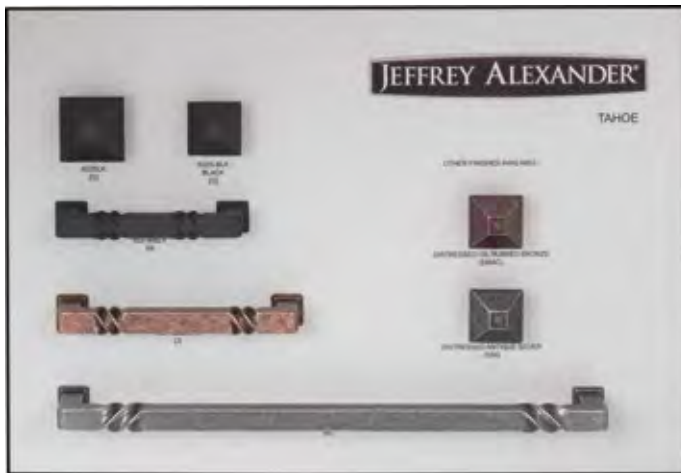
**Sutton**

DB967-GRY



**Symphony** ◆

DB966-GRY



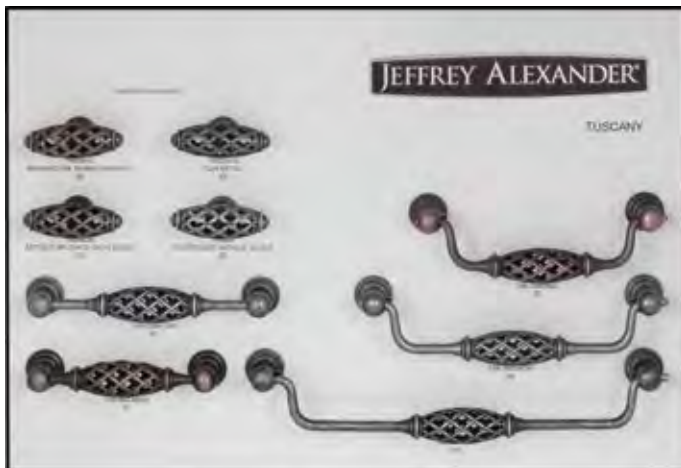
**Tahoe** ◆

DB949-GRY



**Tiffany** ◆

DB994-GRY



**Tuscany**

DB910-GRY



**Wheeler** ◆

DB813-GRY

Display boards are 16" x 11"

◆ Patented & Original Designs



**Zane** ◆

DB802-GRY



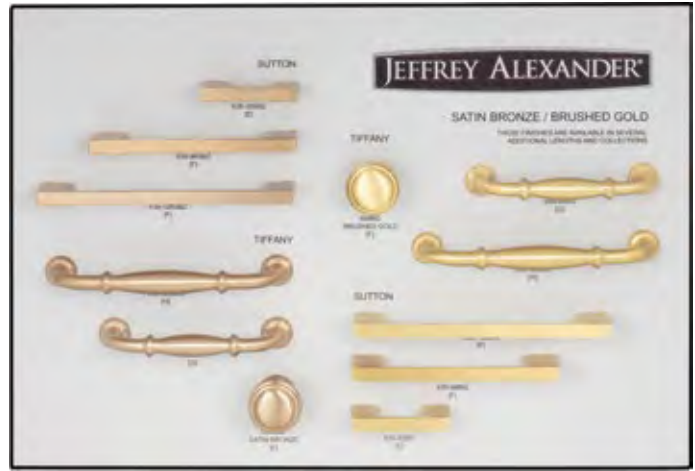
**Zurich**

DB959-GRY



**Matte Black**

DB806-GRY



**Satin Bronze & Brushed Gold**

DB807-GRY



**Brushed Gold**

DB808-GRY

Display boards are 16" x 11"



◆ Patented & Original Designs



**Aiden**

DBE1039-GRY



**Arcadia**

DBE1011-GRY



**Asher**

DBE1023-GRY



**Belfast**

DBE1018-GRY



**Brenton**

DBE1024-GRY



**Calloway** ◆

DBE1026-GRY

Display boards are 16" x 11"

◆ Patented & Original Designs



**Cosgrove** ◆

DBE1025-GRY



**Drake**

DBE1022-GRY



**Edgefield**

DBE1029-GRY



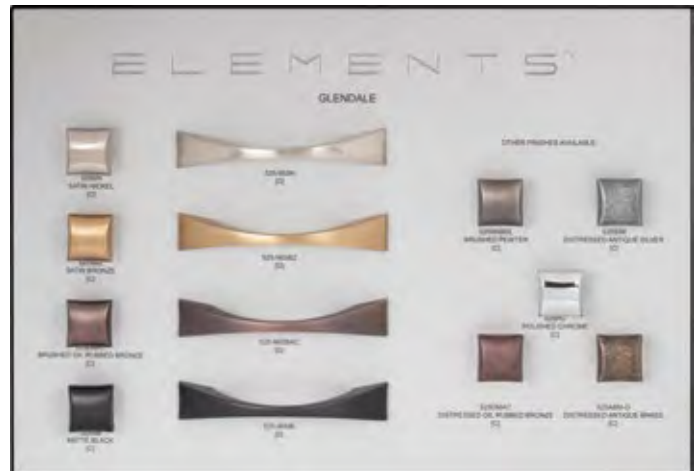
**Florence**

DBE1012-GRY



**Gibson** *NEW*

DB1046-GRY



**Glendale**

DBE1013-GRY

Display boards are 16" x 11"

◆ Patented & Original Designs



**Hadly** ◆

DBE1036-GRY



**Hammond**

DBE1034-GRY



**Kenner**

DBE1032-GRY



**Knox**

DBE1044-GRY



**Lindos**

DBE1020-GRY



**Madison**

DBE1040-GRY

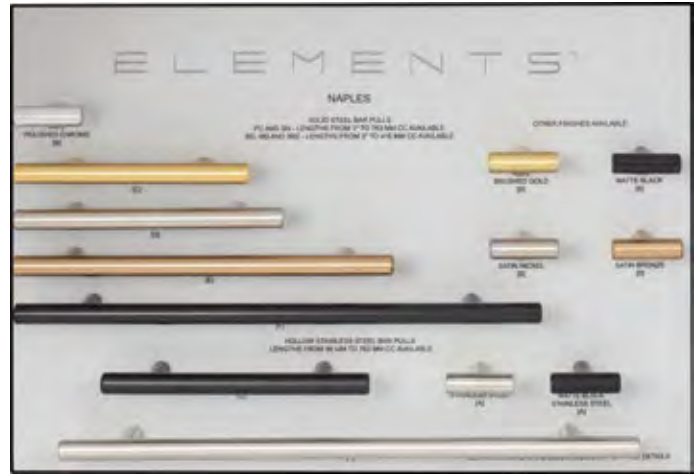
Display boards are 16" x 11"

◆ Patented & Original Designs



**Merryville**

DBE1033-GRY



**Naples**

DBE1014-GRY



**Park** ◆

DBE1038-GRY



**Seaver** ◆

DBE1037-GRY



**Sedona**

DBE1017-GRY



**Slade**

DBE1028-GRY

Display boards are 16" x 11"

◆ Patented & Original Designs



**Somerset**

DBE1008-GRY



**Stanton**

DBE1021-GRY



**Strickland**

DBE1027-GRY



**Syracuse** ◆

DBE1019-GRY



**Thatcher**

DBE1045-GRY



**Waternale**

DBE1031-GRY

Double display boards are 16" x 22-1/2" and use 2 spaces on the tower



◆ Patented & Original Designs



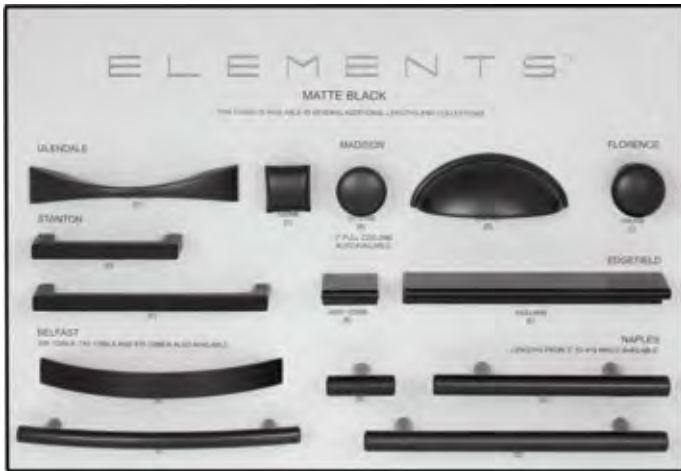
**Westbury**

DBE1016-GRY



**Zachary**

DBE1030-GRY



**Matte Black**

DBE1041-GRY



**Satin Bronze**

DBE1042-GRY



**Brushed Gold**

DBE1043-GRY

# Display Boards – Variety



**Elements Variety** DBEVAR2-WH  
16" x 22-1/2" (wall mount only, does not fit on display towers)



**Essentials Variety** DBV-A3-FG  
24" x 18" (wall mount only, does not fit on display towers)



**Plus Variety** DBV-A5-FG  
24" x 18" (wall mount only, does not fit on display towers)



**Premium Variety** DBV-A7-FG  
24" x 18" (wall mount only, does not fit on display towers)

# Display Boards – Blanks



**Jeffrey Alexander**  
16" x 11"

DB1048-GRY



**Elements**  
16" x 11"

DBE1499-GRY



**Jeffrey Alexander**  
16" x 22-1/2"

DB1049-GRY



**Elements**  
16" x 22-1/2"

DBE1500-GRY

# Item Number Index

ITEM NUMBER	PAGE	ITEM NUMBER	PAGE	ITEM NUMBER	PAGE	ITEM NUMBER	PAGE	ITEM NUMBER	PAGE
26	159	239-128	133	370	72	511-3	158	625-96	162
39	157	239-160	133	382	136	511-96	158	625-128	162
40	156	239-192	133	382-96	136	516	130	625-160	162
48	72	242	72	382-128	136	519	50	625-192	162
105	142	254-3	148	382-160	136	519-12	50	625-224	162
105-96	142	254-96	148	397	157	519-18	50	625-320	162
105-128	142	259	76	399	156	519-96	50	625-448	162
105-160	142	259-96	76	400	159	519-128	50	635-32	110
105-192	142	259-128	76	406-128	132	519-160	50	635-96	110
107	130	259-160	76	415	80	525-96	144	635-128	110
110	170	259-192	76	415-12	80	527	38	635-160	110
110-3	170	264-3	24	415-96	80	527-12	38	635-256	110
117	38	264-96	24	415-96V	80	527-128	38	645-96	150
127	40	264-128	24	415-128	80	527-160	38	645-128	150
0128	177	264-160	24	415-160	80	530	72	645-160	150
136	156	264-192	24	415S	80	535	23	645-192	150
137	40	270	157	417	74	535-96	23	645-224	150
0138	177	272	156	423	138	535-128	23	645-320	150
146	72	274	72	423-3	138	535-160	23	647	171
0148	177	286-96	78	423-96	138	535L	23	647-3	171
152	72	286-128	78	424	138	536-96	23	647-96	171
154	157	286-160	78	431	104, 106	536-128	23	650	66
156	156	286-192	78	435	26	537	40	650-12	66
0158	177	286-224	78	435-96	26	537-12	40	650-96	66
165	58	293-96	122	435-128	26	537-128	40	650-128	66
165-12	58	293-128	122	435-160	26	537-160	40	650-160	66
165-96	58	293-160	122	435L	26	549-96	88	658	116
165-128	58	293-192	122	436-96	26	549-128	88	658-12	116
165-160	58	293-224	122	436-128	26	549-160	88	658-96	116
174	157	293-305	122	445	82	549-192	88	658-128	116
176	156	293T	122	445-12	82	549-320	88	658-160	116
178	72	302	157	445-18	82	558	157	658-192	116
183	155	304	156	445-96	82	560	156	658-224	116
183-3	155	308-128	132	445-128	82	575	165	667	98
183-96	155	317	74	445-160	82	575-96	165	667-3	98
188	68	317-12	74	445-192	82	585	51	667-12	98
188-96	68	317-96	74	445-224	82	585-12	51	667-18	98
188-128	68	317-128	74	445-305	82	585-96	51	667-96	98
188-160	68	317-160	74	449	146	585-128	51	667-128	98
188L	68	331	134	449-3	146	585-160	51	667-160	98
193-3	131	331-96	134	449-96	146	585L	51	667-224	98
193-4	131	331-128	134	449-128	146	595	104	667-305	98
193-96	131	331L	134	449-160	146	595-96	42	667L	98
193-128	131	334	157	457	105	595-128	42	667S	98
193-160	131	336	156	457-96	105	596	70	678	120
202	149, 170	343	55	457L	105	600	159	678-18	120
204	157	343-12	55	475	159	602	114	678-96	120
206	156	343-96	55	484	56	602-12	114	678-128	120
218	74	343-128	55	484-32	56	602-96	114	678-160	120
220	156	343-160	55	484-305	56	602-128	114	718	61
225	86	351	134	484-396	56	602S	114	718-128	61
225-96	86	351-96	134	484-128160	56	618	61	719	157
225-128	86	351-128	134	484-192224	56	618L	61	720	156
225-160	86	351L	134	494	157	622	157	722	72
239	133	366	157	496	156	624	156	737-12	48
239-96	133	368	156	511	158	625-3	162	737-96	48

# Item Number Index

**Knobs & Pulls**

ITEM NUMBER	PAGE	ITEM NUMBER	PAGE	ITEM NUMBER	PAGE	ITEM NUMBER	PAGE	ITEM NUMBER	PAGE
737-128	48	847-128	100	976-128	132	8004	161	K271-96-SS	168
737-160	48	847-160	100	984-3	160	8233	81	MO6303	30
745-128	132	859-3	166	984-96	160	8236	35	MO6373	30
749	118	859-96	166	984-128	160	8237	75	MO6373-12	30
749-96B	118	859-128	166	984-160	160	80152-96	92	MO6373-18	30
749-128	118	859-160	166	984-192	160	80152-128	92	MO6373-128	30
749-128B	118	859T	166	988	173	80152-160	92	MO6373-160	30
749-160	118	867	28	988-3	173	80814	161	P106	170
749-224	118	867-3	28	988-96	173	80815	161	PE01	174
752	108	867-96	28	988-128	173	81021	92	PE02	174
752-96	108	867-128	28	988-160	173	81065	161	PE03	174
752-128	108	867-160	28	993	128	346564	169	PE04	174
752-160	108	867-228	28	993-3	128	409222	169	PE05	174
752-192	108	867-320	28	993-96	36, 128	409223	169	PE06	174
752-224	108	867L	28	993-128	128	411689	135	PE07	174
761	157	875	149	1018	149	412461	135	PE08	174
763	156	878	149	1091	90	413321	169	R1011	169
767	96	885	64	1092	90	413322	169	R1012	169
767-96	96	885-96	64	1092-12	90	417572	135	S271-3	168
767-128	96	885-128	64	1092-128	90	530142	135	S271-3.5	168
767-160	96	885-160	64	1092-160	90	530143	135	S271-4	168
771-3	164	885-192	64	1976	112	530144	135	S271-96	168
771-96	164	885-224	64	1977	112	4307305	169	S271-128	168
771-128	164	885-305	64	1977S	112	A271-3.5AL	168	S6060	101
771-160	164	885L	64	2980	140	A271-3AL	168	WB150	149
775	46	897	154	2981	140	A271-4AL	168	WK150	149
775-96	46	897-3	154	3108	141	A271-96AL	168	WP150	149
775-128	46	897L	154	3208	141, 149	A500-3	139	Z105	169
775-160	46	910	94	3211	135	A500-4	139	Z110	48, 49
775L	46	910-12	94	3308	141	A500-6	139	Z115	152
776-128	132	910-96	94	3898	172	A500-8	139	Z115-96	152
798-96	104	910-128	94	3899	172	A500-10	139	Z115-128	152
798-128	104	910-160	94	3910	153	A500-12	139	Z115L	152
798-160	104	910S	94	3915	160	A500-125	139	Z117	75
818	32	915	48	3940	141	B812	175	Z118	137
818-12	32	918	95	3950	141	B812-96	175	Z118-3	137
818-96	32	918-12	95	3960	141	B812-96R	101, 175	Z118-96	137
818-128	32	918-96	95	3970	141, 148	CH3503	149	Z205	135
818-160	32	918-128	95	3980	54	CL101	176	Z259-3	153
818L	32	918-160	95	3990	35	G110	62	Z260-3	101
839-3	44	918L	95	3991	81	G110L	62	Z260-12	101
839-96	44	925	60	4128	106	G120	62	Z261-96	101
839-128	44	925-96	60	4160	106	G120L	62	Z261-128	101
839-160	44	937-3	145	4192	106	G130	62	Z280	49
840	149	937-96	145	4288	106	G130L	62	Z281	49
845	52	950	72	4655	149, 169	G140	62	Z281-12	49
845-12	52	959-96	34	4656	135	G140L	62	Z281-18	49
845-18	52	972	84	4690	135	G150	62	Z281-128	49
845-96	52	972-12	84	5128	70	G150L	62	Z281-160	49
845-128	52	972-96	84	5192	70	I300	119	Z290-3	54
845-160	52	972-128	84	5224	70	I350	119	Z290-12	54
845-192	52	972-160	84	5319	70	I350-128	119	Z290-96	54
845-305	52	972-224	84	5480	70	I350-160	119	Z290-128	54
845T	52	972-305	84	5673	70	K271-3.5-SS	168	Z290-160	54
845TL	52	972L	84	5900	70	K271-3SS	168	Z500-128	135
847-96	100	972S	84	7210	169	K271-4SS	168	Z718-12	61

# Finish Index by Collection

	AB	ABM/ABM-D	ABSB	AE	AEM	AL	ASM	BB	BC	BG	BLK	BN	BNB	BNBDL	BNMDL/BNDL	DACM	DBAC	DMAC	DN	DP	MB/BLK	MS	NI	ORB	PB	PC	SB	SBN	SBZ	SIM/SIM-D	SN	SS	SSMB	PAGE
Aberdeen													✓	✓			✓													✓			23	
Aiden														✓			✓									✓				✓			128	
Alvar														✓			✓				✓		✓			✓			✓			24		
Annadale														✓		✓	✓				✓									✓			26	
Anwick														✓			✓							✓						✓			28	
Arcadia					✓		✓							✓		✓	✓							✓		✓				✓			130	
Asher									✓					✓			✓				✓					✓				✓			131	
Belcastel 1		✓												✓		✓	✓	✓			✓		✓		✓				✓	✓	✓	30		
Belfast														✓					✓	✓					✓					✓			132	
Bella			✓											✓			✓						✓							✓			32	
Bienville			✓											✓			✓													✓			34	
Bordeaux	✓													✓		✓	✓					✓		✓		✓				✓			35	
Boswell														✓			✓				✓				✓					✓			36	
Bremen 1		✓	✓											✓		✓	✓	✓					✓		✓				✓	✓	✓	38		
Bremen 2			✓											✓			✓	✓					✓							✓			40	
Brenton									✓					✓		✓	✓				✓				✓					✓			133	
Cairo														✓			✓								✓					✓			42	
Callie														✓			✓				✓		✓		✓			✓		✓			44	
Calloway														✓			✓								✓					✓			134	
Capri								✓	✓					✓					✓											✓			135	
Carmen									✓					✓							✓		✓		✓			✓		✓			46	
Chesapeake			✓											✓		✓	✓													✓			48	
Cordova			✓											✓	✓		✓													✓			49	
Cosgrove														✓			✓								✓					✓			136	
Cypress														✓			✓													✓			137	
Delgado			✓											✓			✓						✓							✓			50	
Delmar														✓			✓			✓										✓			51	
Dominique									✓					✓			✓				✓				✓			✓		✓			52	
Drake														✓			✓								✓					✓			138	
Durham			✓											✓			✓				✓		✓		✓					✓			54	
Duval														✓			✓						✓							✓			55	
Edgefield									✓					✓							✓				✓					✓			139	
Elara														✓			✓					✓			✓			✓		✓			56	
Ella														✓			✓						✓		✓					✓			58	
Evangeline			✓											✓			✓													✓			60	
Florence	✓													✓		✓	✓					✓		✓		✓			✓				140	
Gatsby														✓			✓					✓			✓					✓			141	
Gibson									✓					✓							✓				✓			✓		✓			142	
Glendale		✓												✓			✓	✓			✓				✓			✓	✓	✓			144	
Glenmore			✓											✓	✓	✓																	61	

# Finish Index by Collection

	AB	ABM/ABM-D	ABSB	AE	AEM	AL	ASM	BB	BC	BG	BLK	BN	BNB	BNBDL	BNMDL/BNDL	DACM	DBAC	DMAC	DN	DP	MB/BLK	MS	NI	ORB	PB	PC	SB	SBN	SBZ	SIM/SIM-D	SN	SS	SSMB	PAGE			
Hadly										✓				✓			✓				✓				✓				✓					146			
Hammond														✓			✓				✓				✓				✓						145		
Harlow														✓			✓								✓				✓						62		
Hayworth										✓											✓		✓			✓			✓						64		
Hudson														✓			✓								✓				✓						66		
Katharine														✓			✓								✓				✓						68		
Kenner														✓			✓				✓				✓				✓						148		
Key Grande										✓																			✓						70		
Key West & Key Largo										✓											✓		✓						✓						72		
Kingsport	✓			✓																															149		
Knox																					✓					✓									150		
Lafayette			✓											✓			✓																		74		
Lenoir			✓											✓		✓	✓				✓			✓							✓				75		
Lexa												✓		✓			✓									✓									76		
Leyton														✓			✓				✓		✓			✓			✓						78		
Lille			✓											✓		✓	✓																		80		
Lindos														✓			✓									✓									152		
Lyon	✓									✓				✓		✓	✓				✓		✓	✓		✓			✓	✓					81		
Madison	✓								✓	✓		✓		✓		✓	✓				✓			✓	✓	✓	✓	✓	✓						153		
Marie														✓			✓				✓				✓				✓							82	
Marlo														✓			✓						✓			✓										84	
Maybeck												✓		✓			✓									✓										86	
Merrick														✓			✓				✓					✓			✓							88	
Merryville														✓			✓				✓					✓										154	
Milan 1	✓				✓									✓		✓	✓				✓					✓										90	
Mirada			✓											✓			✓				✓					✓										92	
Modena																										✓		✓									94
Naples										✓											✓					✓			✓				✓	✓	✓	156	
Park														✓			✓									✓										155	
Philip										✓				✓			✓				✓					✓			✓							96	
Prestige					✓									✓							✓		✓													95	
Rae														✓			✓							✓			✓										98
Regan														✓			✓				✓					✓										100	
Rhodes													✓	✓		✓	✓																			101	
Roman										✓				✓			✓				✓		✓			✓			✓							102	
Royce														✓			✓									✓											104
Seaver														✓			✓									✓											158
Sedona																					✓								✓								159
Slade														✓		✓	✓									✓											160
Solana												✓											✓			✓											105

# Finish Index by Collection

	AB	ABM/ABM-D	ABSB	AE	AEM	AL	ASM	BB	BC	BG	BLK	BN	BNB	BNBDL	BNMDL/BNDL	DACM	DBAC	DMAC	DN	DP	MB/BLK	MS	NI	ORB	PB	PC	SB	SBN	SBZ	SIM/SIM-D	SN	SS	SSMB	PAGE
Somerset														✓			✓									✓				✓	✓			161
Sonoma														✓			✓									✓				✓	✓			106
Stanton										✓											✓	✓				✓			✓	✓				162
Strickland														✓			✓									✓			✓	✓				164
Sullivan														✓			✓									✓			✓	✓				108
Sutton										✓				✓			✓					✓				✓			✓	✓				110
Symphony			✓											✓		✓	✓													✓	✓			112
Syracuse														✓			✓									✓			✓	✓				165
Tahoe											✓							✓											✓					114
Thatcher										✓				✓			✓				✓					✓			✓	✓				166
Tiffany										✓				✓			✓						✓			✓			✓	✓				116
Torino					✓				✓								✓				✓				✓	✓			✓	✓				168
Tuscany			✓													✓	✓													✓				118
Verona																					✓	✓								✓				169
Vienna																														✓	✓			170
Watervale														✓			✓									✓			✓	✓				171
Westbury														✓			✓									✓			✓	✓				172
Wheeler										✓				✓			✓				✓					✓			✓	✓				120
Zachary														✓			✓									✓			✓	✓				173
Zane														✓							✓		✓			✓			✓	✓				122
Zurich			✓													✓	✓												✓					119



# Finishes Available

## Knobs & Pulls

	<b>AB</b> Brushed Antique Brass		<b>BNB</b> Brushed Black Nickel		<b>NI</b> Polished Nickel
	<b>ABM/ABM-D</b> Distressed Antique Brass		<b>BNBDL</b> Brushed Pewter		<b>ORB</b> Dark Bronze
	<b>ABSBS</b> Antique Brushed Satin Brass		<b>BNMDL/BNDL</b> Distressed Pewter		<b>PB</b> Polished Brass
	<b>AE</b> Antique Brass		<b>BLK</b> Black (Tahoe only)		<b>PC</b> Polished Chrome
	<b>AEM</b> Lightly Distressed Antique Brass		<b>DACM</b> Gun Metal		<b>SB</b> Satin Brass
	<b>AL</b> Aluminum		<b>DBAC</b> Brushed Oil Rubbed Bronze		<b>SBZ</b> Satin Bronze
	<b>ASM</b> Distressed Antique Silver		<b>DP</b> Distressed Pewter		<b>SBN</b> Satin Black Nickel
	<b>BB</b> Brushed Brass		<b>DMAC</b> Distressed Oil Rubbed Bronze		<b>SIM/SIM-D</b> Distressed Antique Silver
	<b>BC</b> Brushed Chrome		<b>DN</b> Dull Nickel		<b>SN</b> Satin Nickel
	<b>BG</b> Brushed Gold		<b>MB/BLK</b> Matte Black		<b>SS</b> Stainless Steel
	<b>BN</b> Black Nickel		<b>MS</b> Matte Silver		<b>SSMB</b> Matte Black Stainless Steel

For best results, use water and a mild soap with a soft cloth. Avoid glass cleaners, general kitchen/bathroom cleaners and other abrasive cleansers, as those cleaners could damage the finish.

## Soap & Water Method:

1. Fill a bowl or sink with warm water and add a squirt of dishwashing liquid or olive-based soap. Swish the water around with your hand to make suds.
2. Dip a rag into the soapy water and wring it out.
3. Wipe the cabinet hardware with the soapy rag. For tough grime, dip a soft toothbrush into the soapy water and scrub gently.
4. Rinse the rag, wring it out and wipe the cabinet hardware to remove the soap residue.
5. Buff the hardware with a dry chamois cloth to polish and shine it.

## Vinegar Method

1. For tougher cleaning, use a solution of one part white vinegar to one part water.
2. Moisten a rag with vinegar solution.
3. Wipe the hardware with the rag. If the rag becomes dirty, rinse the rag with water and remoisten with the vinegar solution.
4. Buff the hardware with a dry chamois cloth for a nice polish and sheen.



## Product Warranty

Hardware Resources believes in quality, integrity, and reliability. We uphold the highest standards of service and responsibility in the industry.

As such, Hardware Resources warrants all decorative cabinet hardware products against defects in material and workmanship as long as the original consumer purchaser owns the products, if the original consumer purchased the products from an authorized distributor of Hardware Resources. Hardware Resources cannot guarantee the quality or condition of products from distributors who do not agree to meet our high standards, and therefore, no warranty is provided for products from unauthorized sellers.

If the finish of any of these items tarnishes, corrodes, rusts, begins to chip or rub off or has any other defect, Hardware Resources will send to the original purchaser, a new replacement product of the same or comparable style and quality at no charge. If a replacement is no longer available, Hardware Resources will refund to the original purchaser, the current wholesale value of the knob or pull.

This warranty is a warranty of replacement only. Hardware Resources specifically does not warrant removal of the product nor installation of replacement new product. This warranty does not apply when the item has been tampered with, misused, improperly installed, altered from the original form, or damaged through improper cleaning, abuse or accident.

All brushed and machined finishes are created by hand to add texture to the item. We hold a tight range of acceptance for color variation, however, a slight variance in the texture and tone of these items can occur. We consider these variances to be minimal and are not considered a defect in the product

In the unlikely event that a defective decorative cabinet hardware item is encountered, please contact Customer Service at 800.463.0660. Please be able to provide a brief description and photographs of the defect.

# Decorative Hooks

A SIMPLE, YET VERSATILE PIECE OF HARDWARE FOR THE HOME THAT IS OFTEN FORGOTTEN.



YD55-587DBAC shown in use. See page 214

*For kitchens, baths, closets, laundry rooms, mud rooms and many other places, Elements offers a wider array of decorative wall hooks to complement any project.*

## Elements hook features:

### ***Made to Last***

They are manufactured out of durable zinc die-cast and are weight tested to hold up to 35 lbs.

### ***Same Beautiful Finishes***

Available in the same popular finishes as our Jeffrey Alexander and Elements decorative cabinet hardware for a cohesive look throughout the house.

### ***Lifetime Warranty***

Elements by Hardware Resources believes in quality, integrity, and reliability by offering a lifetime warranty on all of our hooks.

## Hooks

YD50-518 .....	212
YD45-431 .....	212
YD60-550 .....	213
YD35-556 .....	213
YT40-400 .....	214
YT40C-400 .....	214
YD40-450 .....	215
YD40-337 .....	215
YD55-587 .....	216
YD30-381 .....	217
YD25-256 .....	217
YD20-156 .....	218
YD10-231 .....	218
YD15-187 .....	219
YS05-175 .....	219
Care & Cleaning .....	220
Warranty .....	220

**Coordinate the style of your hooks** with the knobs & pulls in your kitchen, bath, closet or laundry room. It's easy to coordinate the two since our hooks are available in our most popular finishes: Satin Nickel, Polished Chrome, and Brushed Oil Rubbed Bronze.

**Not sure what style hook to select?** Start with the shape of your decorative hardware. If your knobs & pulls are square, choose a hook with similar square edges. If your knobs & pulls are rounded, choose a hook with round ends.



*Stylish hooks create a cohesive look throughout the whole living space*

*Shared finish codes between Elements & Jeffrey Alexander will ensure easy hook & hardware coordination*

*We offer an array of hook styles & shapes for a variety of choices*

**Mix style with .....  
function in  
your kitchen**

Hang kitchen items in a convenient place for accessibility or just to add a stylish touch.



YS05-175-SN

**Hang a reusable  
shopping bag  
or lunch bag**

Attach a hook, or two, in your pantry for easy, out-of-the-way storage of a reusable shopping bag or lunch bag!



YD20-156-SN

**Stage an outfit .....  
for tomorrow**

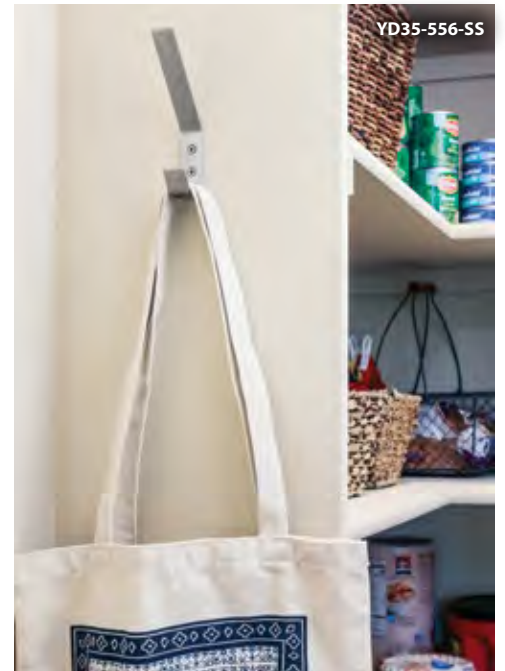
A double or triple hook on the back of a closet door or on a wall makes staging tomorrow's outfit much easier, especially in kids' rooms.



YD30-381-SN

**Clever & convenient  
backpack storage**

Add hooks in the mud room, laundry room or kids' rooms to neatly hang backpacks after homework is done.



YD35-556-SS

**Bathroom .....  
organization**

Use hooks in the bath to keep everyday items off the countertop yet within reach, reducing clutter.



YD10-231-SN

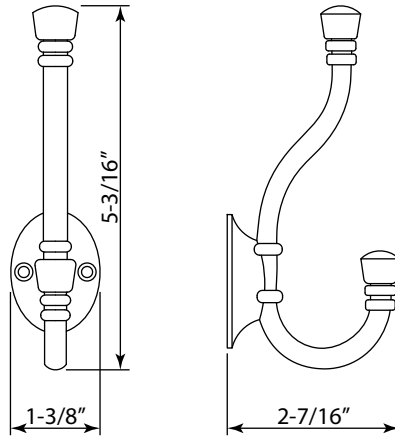


YD60-550-SN



Item	Width	Height	Projection	Inner Box	Finishes
YD50-518	1-3/8"	5-3/16"	2-7/16"	20	DBAC, PC, SN

Two 1-1/8" installation screws included



Brushed  
Oil Rubbed  
Bronze (DBAC)



Polished  
Chrome (PC)

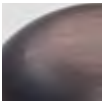
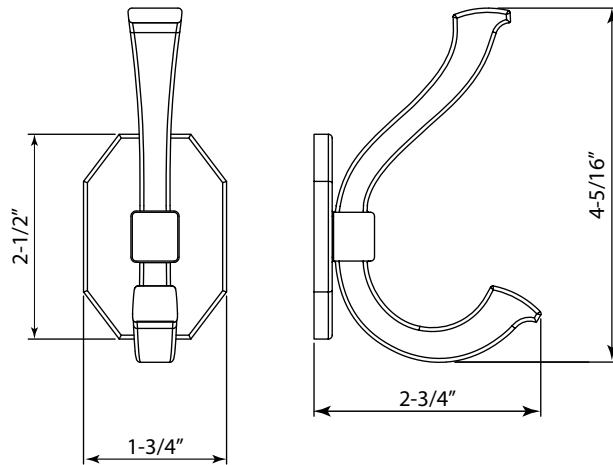


Satin Nickel  
(SN)



Item	Width	Height	Projection	Inner Box	Finishes
YD45-431	1-3/4"	4-5/16"	2-3/4"	20	DBAC, PC, SN

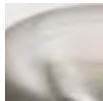
Two 1-1/8" installation screws included



Brushed  
Oil Rubbed  
Bronze (DBAC)



Polished  
Chrome (PC)

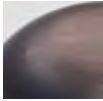
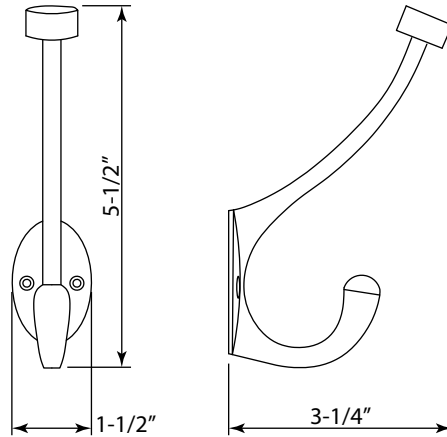


Satin Nickel  
(SN)



Item	Width	Height	Projection	Inner Box	Finishes
YD60-550	1-1/2"	5-1/2"	3-1/4"	20	DBAC, PC, SN

Two 1-1/8" installation screws included



Brushed  
Oil Rubbed  
Bronze (DBAC)



Polished  
Chrome (PC)

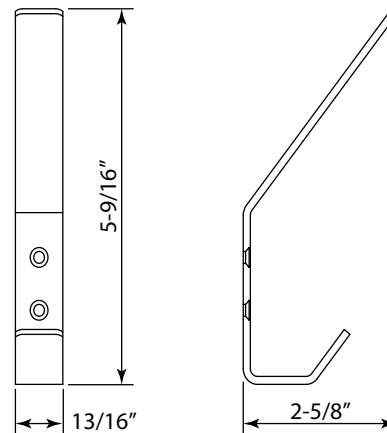


Satin Nickel  
(SN)



Item	Width	Height	Projection	Inner Box	Finishes
YD35-556	13/16"	5-9/16"	2-5/8"	20	PSS, SS

Two 1-1/8" installation screws included



Polished  
Stainless (PSS)



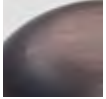
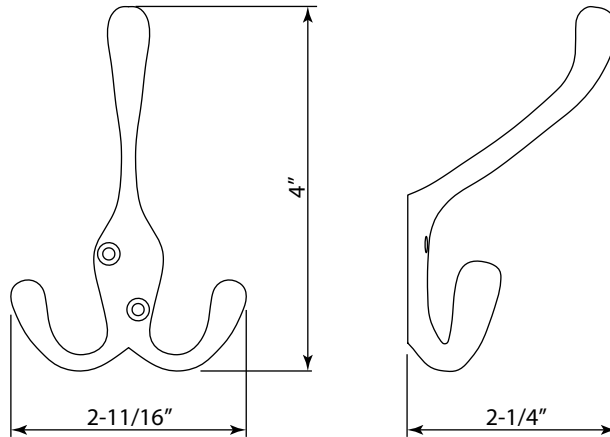
Brushed  
Stainless (SS)

Display boards are available. Please contact your sales representative for more information

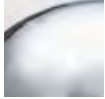


Item	Width	Height	Projection	Inner Box	Finishes
YT40-400	2-11/16"	4"	2-1/4"	20	DBAC, PC, SN

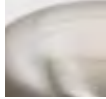
Two 1-1/8" installation screws included



Brushed Oil Rubbed Bronze (DBAC)



Polished Chrome (PC)

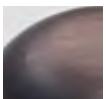
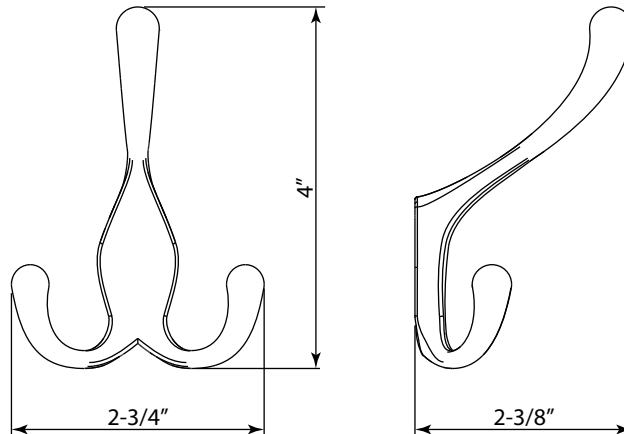


Satin Nickel (SN)



Item	Width	Height	Projection	Inner Box	Finishes
YT40C-400	2-3/4"	4"	2-3/8"	20	DBAC, PC, SN

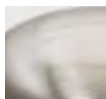
Two 1-1/8" installation screws included



Brushed Oil Rubbed Bronze (DBAC)



Polished Chrome (PC)



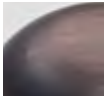
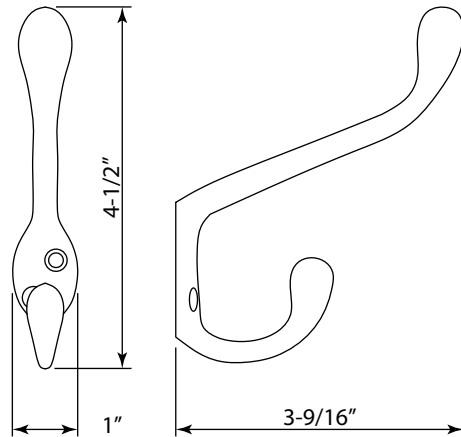
Satin Nickel (SN)





Item	Width	Height	Projection	Inner Box	Finishes
YD40-450	1"	4-1/2"	3-9/16"	20	DBAC, PC, SN

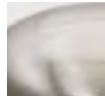
Two 1-1/8" installation screws included



Brushed  
Oil Rubbed  
Bronze (DBAC)



Polished  
Chrome (PC)

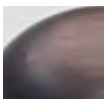
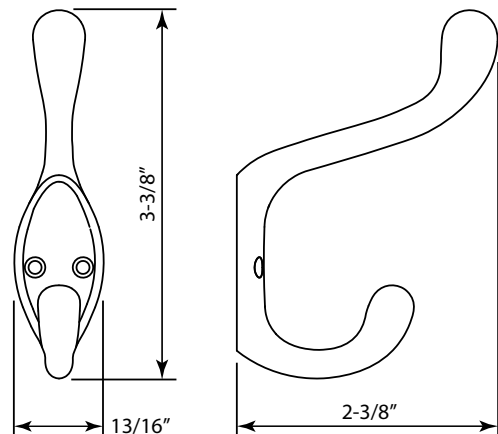


Satin Nickel  
(SN)



Item	Width	Height	Projection	Inner Box	Finishes
YD40-337	13/16"	3-3/8"	2-3/8"	20	DBAC, PC, SN

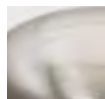
Two 1-1/8" installation screws included



Brushed  
Oil Rubbed  
Bronze (DBAC)



Polished  
Chrome (PC)



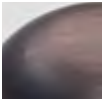
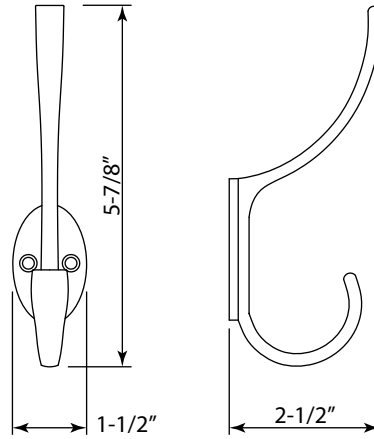
Satin Nickel  
(SN)

*Display boards are available. Please contact your sales representative for more information*



Item	Width	Height	Projection	Inner Box	Finishes
YD55-587	1-1/2"	5-7/8"	2-1/2"	20	DBAC, PC, SN

Two 1-1/8" installation screws included



Brushed Oil Rubbed Bronze (DBAC)



Polished Chrome (PC)



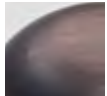
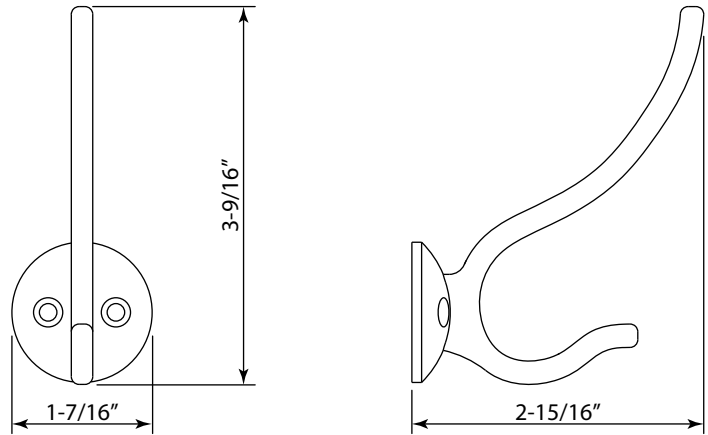
Satin Nickel (SN)





Item	Width	Height	Projection	Inner Box	Finishes
YD30-381	1-7/16"	3-9/16"	2-15/16"	20	DBAC, PC, SN

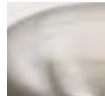
Two 1-1/8" installation screws included



Brushed  
Oil Rubbed  
Bronze (DBAC)



Polished  
Chrome (PC)

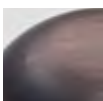
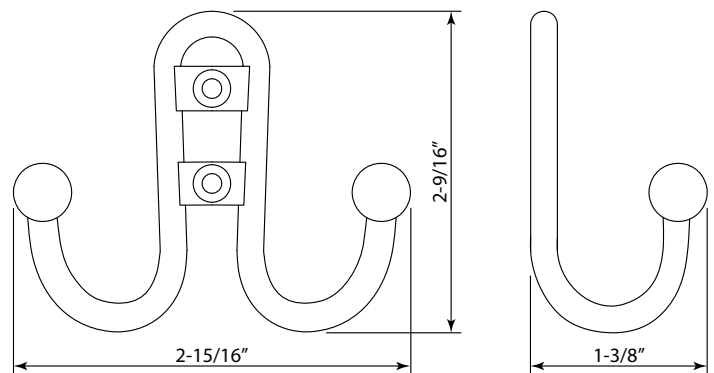


Satin Nickel  
(SN)

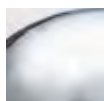


Item	Width	Height	Projection	Inner Box	Finishes
YD25-256	2-15/16"	2-9/16"	1-3/8"	20	DBAC, PC, SN

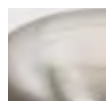
Two 1-1/8" installation screws included



Brushed  
Oil Rubbed  
Bronze (DBAC)



Polished  
Chrome (PC)



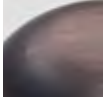
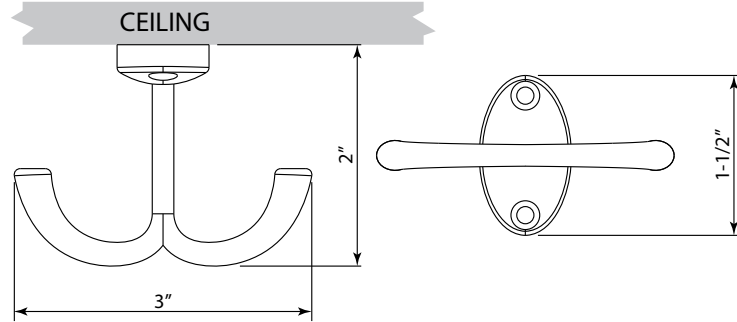
Satin Nickel  
(SN)

*Display boards are available. Please contact your sales representative for more information*

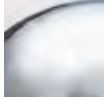


Item	Width	Height	Projection	Inner Box	Finishes
YD20-156	3"	1-1/2"	2"	20	DBAC, PC, SN

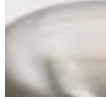
Two 1-1/8" installation screws included



Brushed  
Oil Rubbed  
Bronze (DBAC)



Polished  
Chrome (PC)

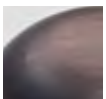
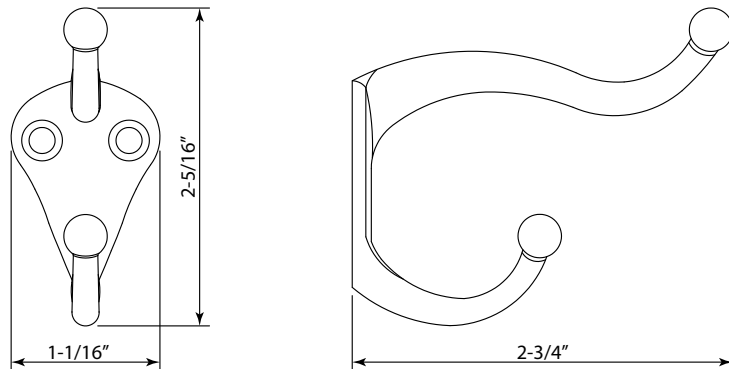


Satin Nickel  
(SN)



Item	Width	Height	Projection	Inner Box	Finishes
YD10-231	1-1/16"	2-5/16"	2-3/4"	20	DBAC, PC, SN

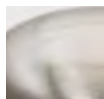
Two 1-1/8" installation screws included



Brushed  
Oil Rubbed  
Bronze (DBAC)



Polished  
Chrome (PC)

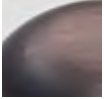
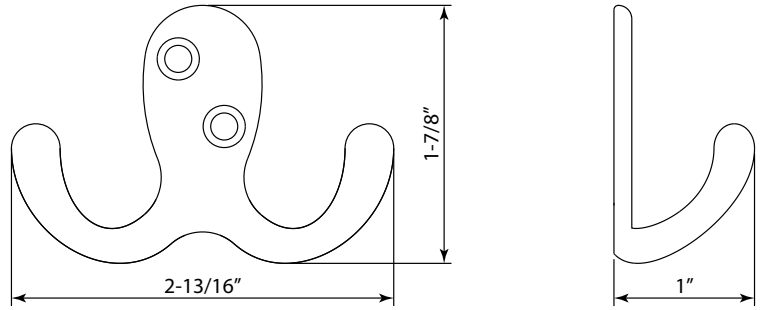


Satin Nickel  
(SN)

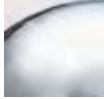


Item	Width	Height	Projection	Inner Box	Finishes
YD15-187	2-13/16"	1-7/8"	1"	20	DBAC, PC, SN

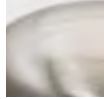
Two 1-1/8" installation screws included



Brushed  
Oil Rubbed  
Bronze (DBAC)



Polished  
Chrome (PC)

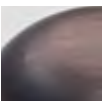
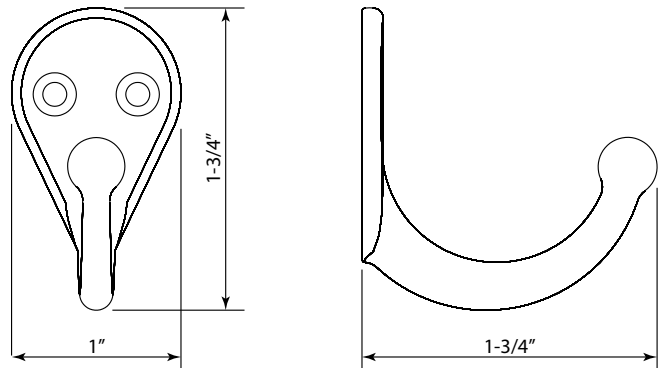


Satin Nickel  
(SN)



Item	Width	Height	Projection	Inner Box	Finishes
YS05-175	1"	1-3/4"	1-3/4"	20	DBAC, PC, SN

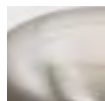
Two 1" installation screws included



Brushed  
Oil Rubbed  
Bronze (DBAC)



Polished  
Chrome (PC)



Satin Nickel  
(SN)

## Care & Cleaning

For best results, use water and a mild soap with a soft cloth. Avoid glass cleaners, general kitchen/bathroom cleaners and other abrasive cleansers, as those cleaners could damage the finish.

### *Soap & Water Method:*

1. Fill a bowl or sink with warm water and add a squirt of dishwashing liquid or olive-based soap. Swish the water around with your hand to make suds.
2. Dip a rag into the soapy water and wring it out.
3. Wipe the hardware with the soapy rag. For tough grime, dip a soft toothbrush into the soapy water and scrub gently.
4. Rinse the rag, wring it out and wipe the hardware to remove the soap residue.
5. Buff the hardware with a dry chamois cloth to polish and shine it.

### *Vinegar Method*

1. For tougher cleaning, use a solution of one part white vinegar to one part water.
2. Moisten a rag with vinegar solution.
3. Wipe the hardware with the rag. If the rag becomes dirty, rinse the rag with water and remoisten with the vinegar solution.
4. Buff the hardware with a dry chamois cloth for a nice polish and sheen.



## Product Warranty

Hardware Resources believes in quality, integrity, and reliability. We uphold the highest standards of service and responsibility in the industry.

As such, Hardware Resources warrants all decorative hook products against defects in material and workmanship as long as the original consumer purchaser owns the products, if the original consumer purchased the products from an authorized distributor of Hardware Resources. Hardware Resources cannot guarantee the quality or condition of products from distributors who do not agree to meet our high standards, and therefore, no warranty is provided for products from unauthorized sellers.

If the finish of any of these items tarnishes, corrodes, rusts, begins to chip or rub off or has any other defect, Hardware Resources will send to the original purchaser, a new replacement product of the same or comparable style and quality at no charge. If a replacement is no longer available, Hardware Resources will refund to the original purchaser, the current wholesale value of the item.

This warranty is a warranty of replacement only. Hardware Resources specifically does not warrant removal of the product nor installation of replacement new product. This warranty does not apply when the item has been tampered with, misused, improperly installed, altered from the original form, or damaged through improper cleaning, abuse or accident.

All brushed and machined finishes are created by hand to add texture to the item. We hold a tight range of acceptance for color variation, however, a slight variance in the texture and tone of these items can occur. We consider these variances to be minimal and are not considered a defect in the product

In the unlikely event that a defective decorative hook item is encountered, please contact Customer Service at 800.463.0660. Please be able to provide a brief description and photographs of the defect.

# Bath Hardware

Elements bath hardware families Fairview, Newbury and Bridgeport are offered in both plain white box contractor packaging for bulk purchases and retail packaging with attractive design and window cutout for cash and carry.



**FAIRVIEW**



**NEWBURY**



**BRIDGEPORT**

### Contractor Packaging:

A secure plain white box with the Elements brand logo on the front of the box. Specifically designed to provide cost savings to builders who simply want the hardware, and don't require eye-catching packaging.

### Retail Packaging:

Specifically designed for retail environments to appeal to the end user when planogrammed on the shelf. Attractive packaging with windows that showcase the product for the end consumer. Retail packaging includes a UPC code printed on the box and English, French, Spanish translations on all packaging. Internal shrink wrap protects the product in the box from dust/external damage.



## Bath Hardware

### Elements

Bridgeport .....	.222
Fairview .....	.224
Newbury .....	.226
Curved Shower Rods .....	.228
Safety Grab Bars .....	.229
Care & Cleaning .....	.230
Warranty .....	.230

# BRIDGEPORT



**Available finishes**  
polished chrome (above)



Retail Pack





BHE1-02  
Robe Hook



BHE1-01  
Paper Holder with  
Spring Load System



BHE1-03  
Towel Bar 18"



BHE1-06  
Towel Ring

BHE1-04  
Towel Bar 24"

Contractor Pack	Retail Pack	Description	Center-to-Center	Overall Length	Finish
BHE1-01PC	BHE1-01PC-R	Paper Holder	5-13/16"	7-13/16"	Polished Chrome
BHE1-02PC	BHE1-02PC-R	Robe Hook		2-1/4"	Polished Chrome
BHE1-03PC	BHE1-03PC-R	Towel Bar	18"	20"	Polished Chrome
BHE1-04PC	BHE1-04PC-R	Towel Bar	24"	26"	Polished Chrome
BHE1-06PC	BHE1-06PC-R	Towel Ring		7-1/16"	Polished Chrome

FAIRVIEW



**Available finishes**

- brushed oil rubbed bronze (above)
- satin nickel
- polished chrome



Retail Pack



BHE5-02  
Robe Hook



BHE5-01  
Paper Holder with  
Spring Load System



BHE5-07  
Euro Paper Holder



BHE5-03  
Towel Bar 18"



BHE5-06  
Towel Ring

BHE5-04  
Towel Bar 24"

Contractor Pack	Retail Pack	Description	Center-to-Center	Overall Length	Finish
BHE5-01DBAC	BHE5-01DBAC-R	Paper Holder	6-1/2"	9"	Brushed Oil Rubbed Bronze
BHE5-01PC	BHE5-01PC-R	Paper Holder	6-1/2"	9"	Polished Chrome
BHE5-01SN	BHE5-01SN-R	Paper Holder	6-1/2"	9"	Satin Nickel
BHE5-02DBAC	BHE5-02DBAC-R	Robe Hook		3-3/4"	Brushed Oil Rubbed Bronze
BHE5-02PC	BHE5-02PC-R	Robe Hook		3-3/4"	Polished Chrome
BHE5-02SN	BHE5-02SN-R	Robe Hook		3-3/4"	Satin Nickel
BHE5-03DBAC	BHE5-03DBAC-R	Towel Bar	18"	20-1/2"	Brushed Oil Rubbed Bronze
BHE5-03PC	BHE5-03PC-R-R	Towel Bar	18"	20-1/2"	Polished Chrome
BHE5-03SN	BHE5-03SN	Towel Bar	18"	20-1/2"	Satin Nickel
BHE5-04DBAC	BHE5-04DBAC-R	Towel Bar	24"	26-1/2"	Brushed Oil Rubbed Bronze
BHE5-04PC	BHE5-04PC-R	Towel Bar	24"	26-1/2"	Polished Chrome
BHE5-04SN	BHE5-04SN-R	Towel Bar	24"	26-1/2"	Satin Nickel
BHE5-06DBAC	BHE5-06DBAC-R	Towel Ring		7-9/16"	Brushed Oil Rubbed Bronze
BHE5-06PC	BHE5-06PC-R	Towel Ring		7-9/16"	Polished Chrome
BHE5-06SN	BHE5-06SN-R	Towel Ring		7-9/16"	Satin Nickel
BHE5-07DBAC	BHE5-07DBAC-R	Euro Paper Holder		5-3/8"	Brushed Oil Rubbed Bronze
BHE5-07PC	BHE5-07PC-R	Euro Paper Holder		5-3/8"	Polished Chrome
BHE5-07SN	BHE5-07SN-R	Euro Paper Holder		5-3/8"	Satin Nickel

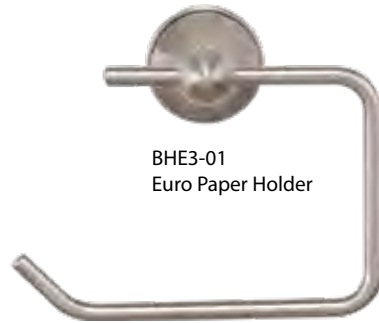
NEWBURY



**Available finishes**  
satin nickel (above)  
brushed oil rubbed bronze



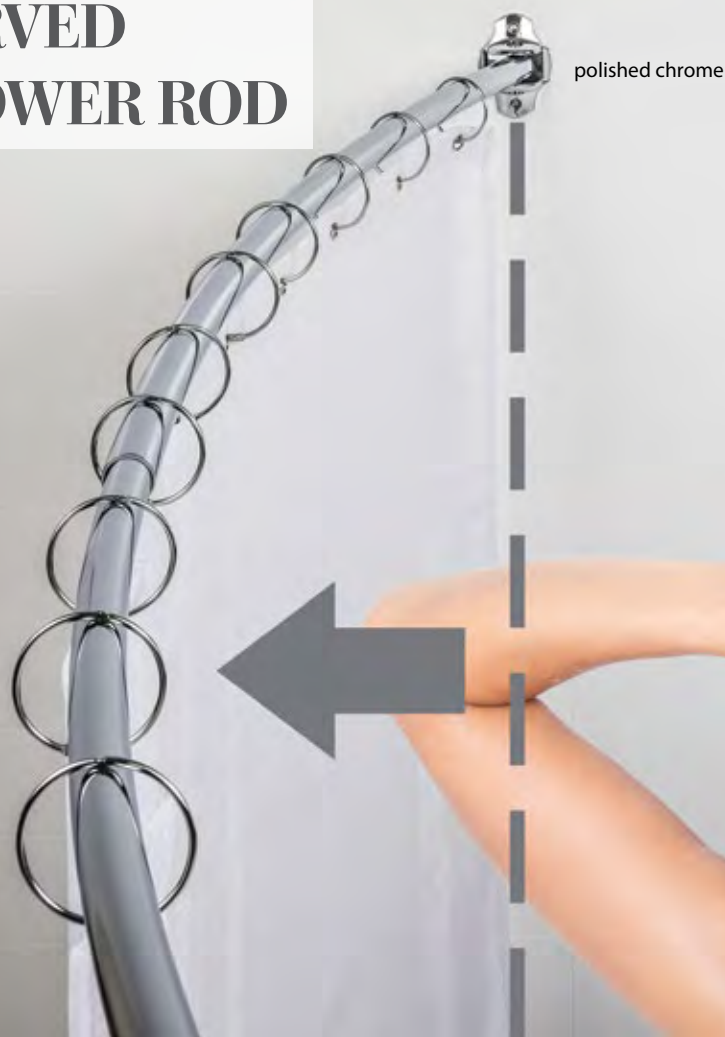
Retail Pack



BHE3-04  
Towel Bar 24"

Contractor Pack	Retail Pack	Description	Center-to-Center	Overall Length	Finish
BHE3-01DBAC	BHE3-01DBAC-R	Euro Paper Holder		5-3/8"	Brushed Oil Rubbed Bronze
BHE3-01SN	BHE3-01SN-R	Euro Paper Holder		5-3/8"	Satin Nickel
BHE3-02DBAC	BHE3-02DBAC-R	Robe Hook		2-9/16"	Brushed Oil Rubbed Bronze
BHE3-02SN	BHE3-02SN-R	Robe Hook		2-9/16"	Satin Nickel
BHE3-03DBAC	BHE3-03DBAC-R	Towel Bar	18"	19-3/4"	Brushed Oil Rubbed Bronze
BHE3-03SN	BHE3-03SN-R	Towel Bar	18"	19-3/4"	Satin Nickel
BHE3-04DBAC	BHE3-04DBAC-R	Towel Bar	24"	25-3/4"	Brushed Oil Rubbed Bronze
BHE3-04SN	BHE3-04SN-R	Towel Bar	24"	25-3/4"	Satin Nickel
BHE3-06DBAC	BHE3-06DBAC-R	Towel Ring		7-3/16"	Brushed Oil Rubbed Bronze
BHE3-06SN	BHE3-06SN-R	Towel Ring		7-3/16"	Satin Nickel

# CURVED SHOWER ROD



polished chrome

- Fits 60"–72" openings
- Rust resistant
- Increases shower space 25%
- Use with any standard shower curtain
- Curtain and hooks not included



brushed oil rubbed  
bronze



satin nickel

Retail Pack	Description	Center-to-Center	Overall Length	Finish
SR02-DBAC-R	Curved Shower Rod	adjustable	60" - 72"	Brushed Oil Rubbed Bronze
SR02-PC-R	Curved Shower Rod	adjustable	60" - 72"	Polished Chrome
SR02-SN-R	Curved Shower Rod	adjustable	60" - 72"	Satin Nickel



# SAFETY GRAB BARS

Meet strict ADA requirements



GRAB-18-R  
18" Safety Grab Bar  
Stainless Steel



GRAB-24-R  
24" Safety Grab Bar  
Stainless Steel



GRAB-36-R  
36" Safety Grab Bar  
Stainless Steel



GRAB-42-R  
42" Safety Grab Bar  
Stainless Steel



GRAB-48-R  
48" Safety Grab Bar  
Stainless Steel

Retail Pack	Description	Center-to-Center	Overall Length	Finish
GRAB-18-R	Safety Grab Bar	18"	21"	Stainless Steel
GRAB-24-R	Safety Grab Bar	24"	27-1/16"	Stainless Steel
GRAB-36-R	Safety Grab Bar	36"	39"	Stainless Steel
GRAB-42-R	Safety Grab Bar	42"	45-1/16"	Stainless Steel
GRAB-48-R	Safety Grab Bar	48"	51"	Stainless Steel



1-1/2" Diameter, 18/8 Stainless Steel, 3" Base Diameter, 1-1/2" Wall Clearance, Concealed Mount.  
For persons up to 500 lbs. Meets ADA requirements. Installation hardware and instructions included.

For best results, use water and a mild soap with a soft cloth. Avoid glass cleaners, general kitchen/bathroom cleaners and other abrasive cleansers, as those cleaners could damage the finish.

## ***Soap & Water Method:***

1. Fill a bowl or sink with warm water and add a squirt of dishwashing liquid or olive-based soap. Swish the water around with your hand to make suds.
2. Dip a rag into the soapy water and wring it out.
3. Wipe the hardware with the soapy rag. For tough grime, dip a soft toothbrush into the soapy water and scrub gently.
4. Rinse the rag, wring it out and wipe the hardware to remove the soap residue.
5. Buff the hardware with a dry chamois cloth to polish and shine it.

## ***Vinegar Method***

1. For tougher cleaning, use a solution of one part white vinegar to one part water.
2. Moisten a rag with vinegar solution.
3. Wipe the hardware with the rag. If the rag becomes dirty, rinse the rag with water and remoisten with the vinegar solution.
4. Buff the hardware with a dry chamois cloth for a nice polish and sheen.



## **Product Warranty**

Hardware Resources believes in quality, integrity, and reliability. We uphold the highest standards of service and responsibility in the industry.

As such, Hardware Resources warrants all decorative bath hardware products against defects in material and workmanship as long as the original consumer purchaser owns the products, if the original consumer purchased the products from an authorized distributor of Hardware Resources. Hardware Resources cannot guarantee the quality or condition of products from distributors who do not agree to meet our high standards, and therefore, no warranty is provided for products from unauthorized sellers.

If the finish of any of these items tarnishes, corrodes, rusts, begins to chip or rub off or has any other defect, Hardware Resources will send to the original purchaser, a new replacement product of the same or comparable style and quality at no charge. If a replacement is no longer available, Hardware Resources will refund to the original purchaser, the current wholesale value of the item.

This warranty is a warranty of replacement only. Hardware Resources specifically does not warrant removal of the product nor installation of replacement new product. This warranty does not apply when the item has been tampered with, misused, improperly installed, altered from the original form, or damaged through improper cleaning, abuse or accident.

All brushed and machined finishes are created by hand to add texture to the item. We hold a tight range of acceptance for color variation, however, a slight variance in the texture and tone of these items can occur. We consider these variances to be minimal and are not considered a defect in the product

In the unlikely event that a defective decorative bath hardware item is encountered, please contact Customer Service at 800.463.0660. Please be able to provide a brief description and photographs of the defect.



# Barn Door Hardware



*Open the door to style with our Barn Door Hardware. It's great for interior doors such as bedrooms, closets, bathrooms, pantries and laundry rooms. Available in a rustic farmhouse style matte black finish and a modern stainless steel finish.*



## **Barn Door Hardware**

Matte Black kits .....	232
Stainless Steel Kits .....	234
Trial Order Program .....	236
Warranty .....	236

# Matte Black Kits

Barn door hardware brings a rustic/farmhouse style to any space. Install a barn door system in any door entry way including closets, pantries, laundry rooms, studies and more.



## Features

Use two kits side-by-side for a large, double door opening

Barn door hardware kits include soft-close

Maximum door weight of 220 lbs

Includes an 8 foot rail that works with doors up to 48" wide



Requires two kits to install two doors.



The kit includes:

- (1) Flat 8 foot rail
- (2) Door rollers
- (2) Door stops
- (6) Wall brackets
- (2) Anti-jump disk
- (1) Door guide
- (2) Soft-close dampers
- Hardware in matte black finish

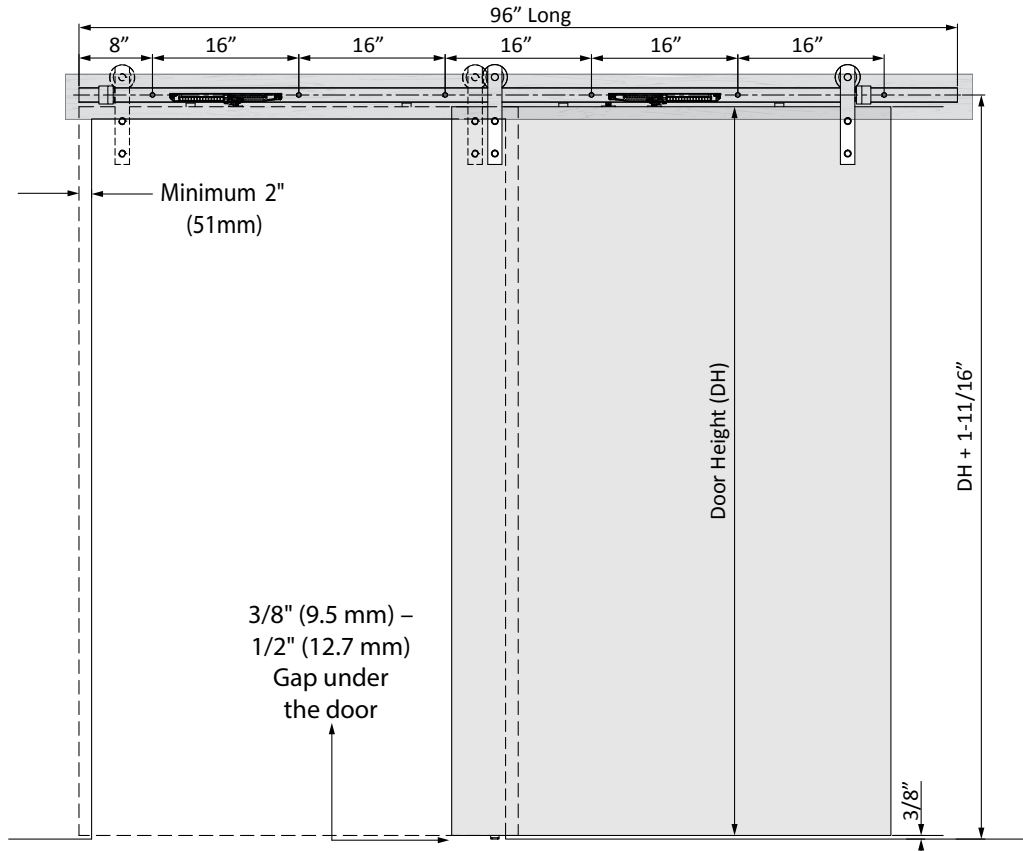
Part Number	Description	Finish
BDH-05MB-96SET	8 ft. track, sold in sets of 20	Matte Black
BDH-01MB-72-R*	6 ft. track, retail packaged	Matte Black

# Matte Black Kits

## 8 ft. Track

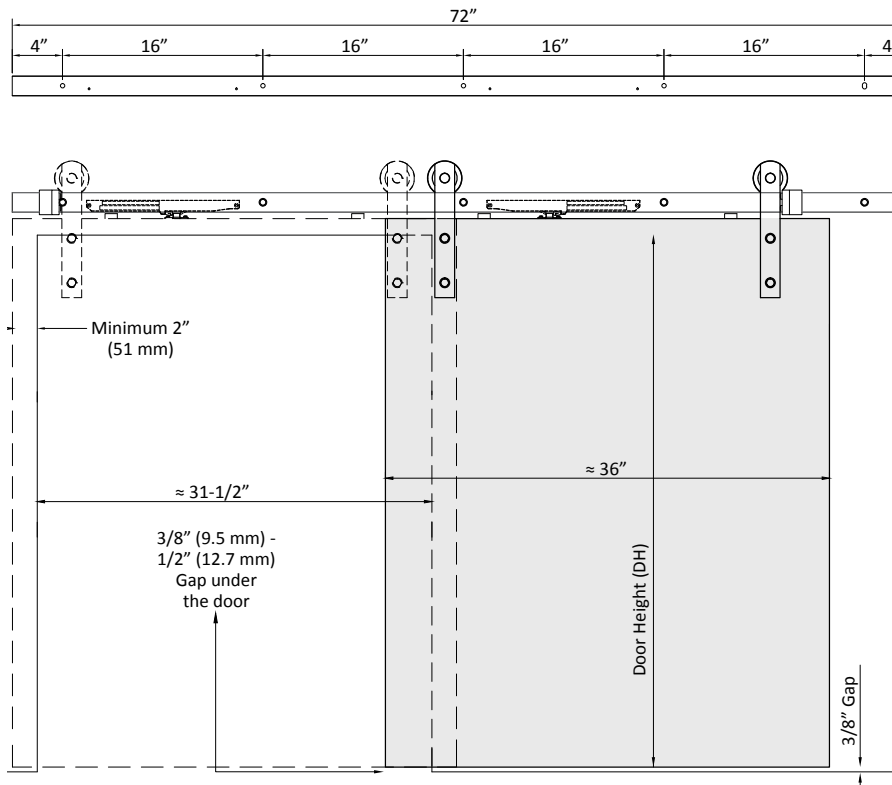
BDH-05MB-96SET\*

\*sold in sets of 20



## 6 ft. Track

BDH-01MB-72-R



# Stainless Steel Kits

Barn door hardware brings modern/industrial style to any space. Install a barn door system in any door entry way including closets, pantries, laundry rooms, studies and more.



## Features

Use two kits side-by-side for a large, double door opening

Barn door hardware kits include soft-close

Maximum door weight of 175 lbs

Includes an 8 foot rail that works with doors up to 48" wide



Requires two kits to install two doors.



Part Number	Description	Finish
BDH-05SS-96SET	8 ft. track, sold in sets of 20	Stainless Steel
BDH-05SS-72-R*	6 ft. track, retail packaged	Stainless Steel

The kit includes:

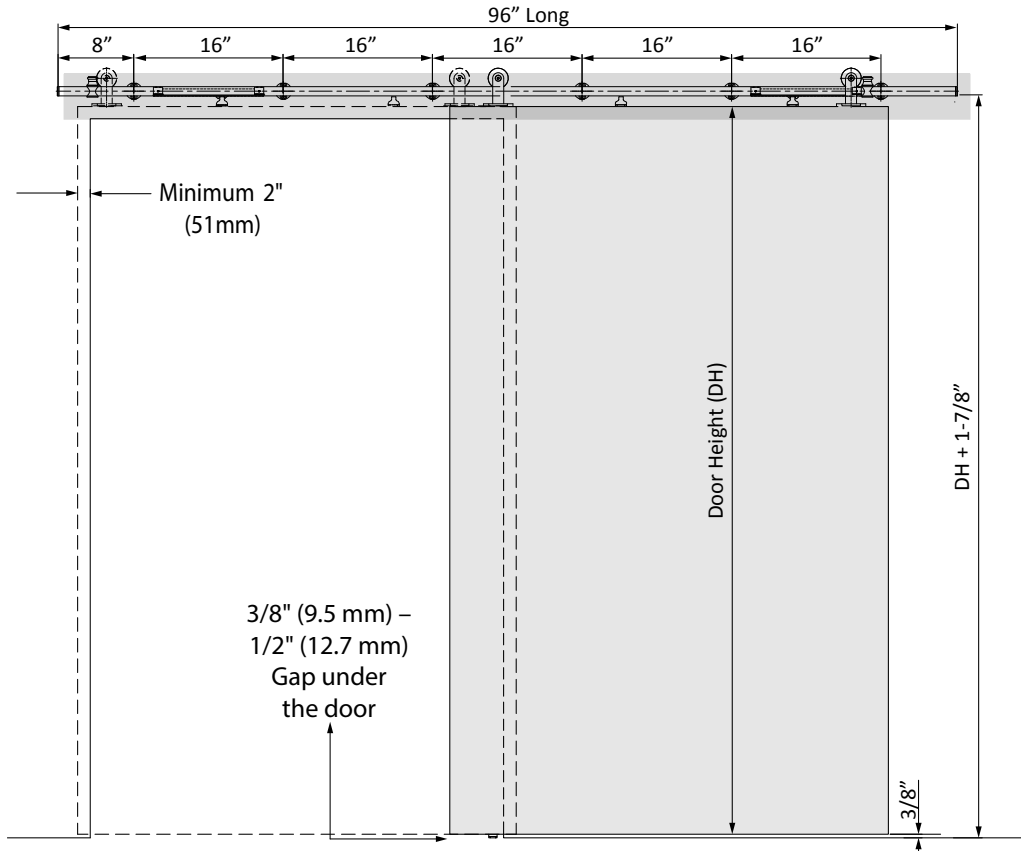
- (1) 8 foot round bar
- (2) Door rollers
- (2) Door stops
- (6) Wall brackets
- (2) Anti-jump stoppers
- (1) Door guide
- (2) Soft-close dampers
- Hardware in stainless steel

# Stainless Steel Kits

## 8 ft. Track

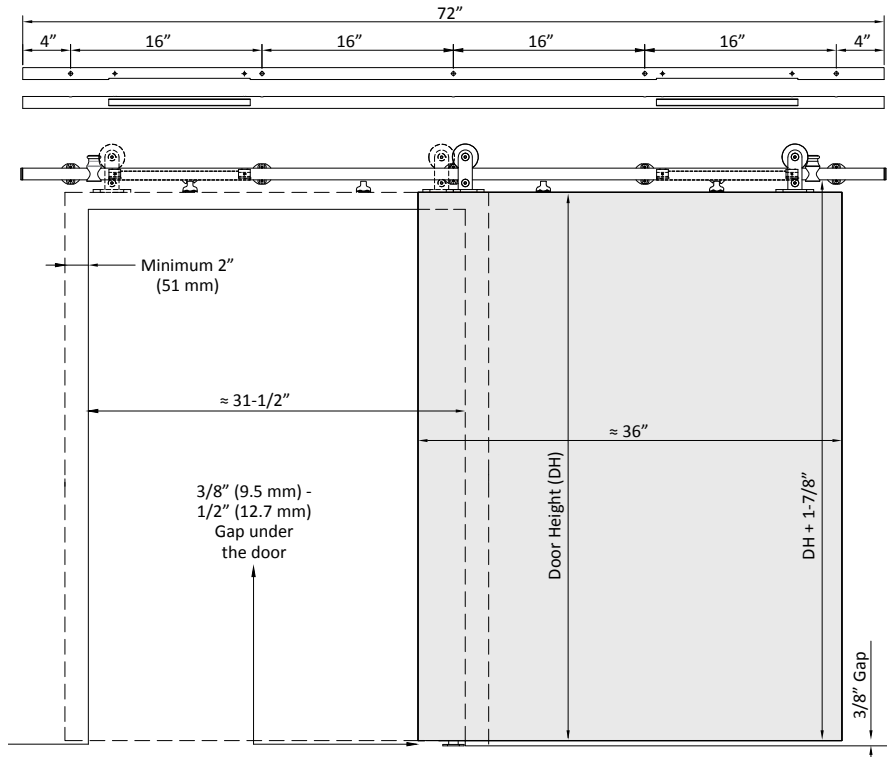
BDH-05SS-96SET\*

\*sold in sets of 20



## 6 ft. Track

BDH-05SS-72-R



# You Buy. You Try. You Decide.

Place a Trial Order any new-to-you functional products and try them out. If you're not satisfied we'll take them back. Guaranteed!

## How the Trial Order program works

1. Place a Trial Order for slides & qualifying barn door hardware kits. Trial Orders can be combined with a regular order. We pay the freight on Trial Orders.
2. Test the products risk-free.
3. If you're not completely satisfied, call us. We'll give you immediate full credit on the Trial Order purchase. We'll arrange for the products to be picked up later – no need to save the original packaging, ship them back, etc. We make it easy. We would appreciate hearing your observations on the products.



## How to order

1. Call **800-463-0660**
2. Use code **TRIAL-BARNDOOR** for the Trial Order products

Hardware Resources believes in quality, integrity, and reliability. We uphold the highest standards of service and responsibility in the industry.

As such, Hardware Resources warrants all functional hardware items against defects in material and workmanship as long as the original consumer purchaser owns the products, if the original consumer purchased the products from an authorized distributor of Hardware Resources. Hardware Resources cannot guarantee the quality or condition of products from distributors who do not agree to meet our high standards, and therefore, no warranty is provided for products from unauthorized sellers.

If the finish of any of these items tarnishes, corrodes, rusts, begins to chip or rub off or has any other defect, Hardware Resources will send to the original purchaser, a new replacement product of the same or comparable style and quality at no charge. If a replacement is no longer available, Hardware Resources will refund to the original purchaser, the current wholesale value of the hardware.

This warranty is a warranty of replacement only. Hardware Resources specifically does not warrant removal of the product nor installation of replacement new product. This warranty does not apply when the item has been tampered with, misused, improperly installed, altered from the original form, or damaged through improper cleaning, abuse or accident.

In the unlikely event that a defective functional hardware item is encountered, please contact Customer Service at 800.463.0660. Please be able to provide a brief description and photographs of the defect.



# Bath Vanities

## TABLE OF CONTENTS



**Chatham Collection**  
Vanity: VN2CHA-36-BL-NT | Top: TOPO37CQ  
Bowl: VN2-OVAL-15 | Mirror: MIR2CHA-28-BL

ORDERING .....	239
VANITY INDEX	
JEFFREY ALEXANDER .....	240–241
JEFFREY ALEXANDER SILVER LABEL .....	242–243
VANITY FEATURES & PART NUMBER KEY .....	244–245
NEW GREEN FINISH INSPIRATION .....	246–247
COLLECTIONS	
JEFFREY ALEXANDER .....	248–265
JEFFREY ALEXANDER SILVER LABEL .....	266–278
KNOB & PULL OPTIONS .....	279
COMBINATIONS MOOD BOARD .....	280–281
TOP & BOWL INFORMATION	
VANITY TOP OVERVIEW .....	282–283
VANITY TOP MATERIALS .....	284–286
BOWLS .....	287
MIRRORS .....	288–289
SPECIFICATIONS	
VANITIES .....	290–295
TOPS .....	296–300
CARE & CLEANING .....	302
WARRANTY .....	303

# THE POWER OF

We understand that when it comes to creating a perfectly personalized space, options are of utmost importance. You now have the power to select the ideal vanity configuration that fits your personal style. Simply choose the style of vanity, vanity top, and bowl shape to complete a look that you love. **There are over 2,500 possible combinations!**

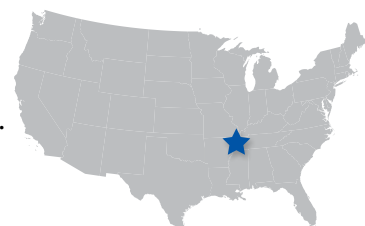


The Astoria collection is featured above to showcase the wide variety of combinations available.

Vanity styles range from classically ornate to sleek and airy. **11 top options in Quartz, Natural Stone, or Cultured Marble are available in all sizes.** Color choices range from deep, complex shades to medium, neutral tones to light and tranquil hues. Each vanity top is crafted with care and is available with either an oval or rectangle bowl cutout.

All vanities, vanity tops, bowls, and mirrors are stocked in our centrally-located warehouse.

**Orders typically ship within 24 hours.**





# ORDERING MADE EASY



**Chatham Collection**  
Base: VN2CHA-24-GR-NT | Top: TOPO25AS  
Bowl: VN2-OVAL-15 | Mirror: MIR2CHA-22-GR

## STEP 1

Select a vanity

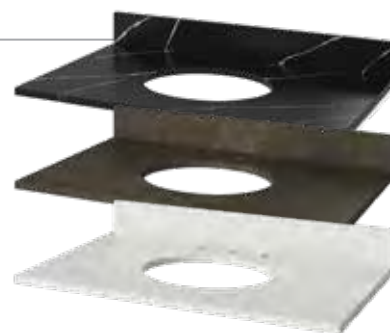
- Begin creating the ideal vanity by choosing from 11 collections with a wide variety of sizes and trending finishes
- Pages 248-278



## STEP 2

Select a vanity top\* color & material

- Choose from 11 different top colors in 3 types of material
- Pages 282-286



*\*Matching backsplash included*

## STEP 3

Select a bowl

- Choose a rectangle or oval bowl; available for all vanity tops
- Page 287



## STEP 4

Select a mirror

- Choose a coordinating mirror to create the ideal bathroom space
- Pages 288-289



## COMPLETE THE LOOK

- Sidesplashes are available and will work on either side of the vanity top (see page 283 for more information)
- Check out our other product lines: Knobs & Pulls (pages 13-208) & Organizers (pages 313-496)

*Faucet not included with vanity purchase. Assembly required.*

All products (vanity, top, bowl, sidesplash, and mirror), when purchased together will be individually packaged, secured, and shipped together on a pallet.

To place an order, call customer service at 1-800-463-0660, or visit our website at [www.HardwareResources.com](http://www.HardwareResources.com) to order online.

# VANITY INDEX

## ASTORIA



**24" GREY**  
VN2AST-24-GR-NT  
See page 249



**30" WHITE**  
VN2AST-30-WH-NT  
See page 249



**36" ESPRESSO**  
VN2AST-36-ES-NT  
See page 249



**48" GREY**  
VN2AST-48-GR-NT  
See page 249

For a complete list of sizes & finish options see page 249

## CADE



**18" GREY**  
VN2CAD-18-GR-PO  
See page 252



**24" WHITE**  
VN2CAD-24-WH-NT  
See page 252



**30" BLACK**  
VN2CAD-30-BK-NT  
See page 252



**36" FOREST GREEN**  
VN2CAD-36-GN-NT  
See page 253



**48" HALE BLUE**  
VN2CAD-48-BL-NT  
See page 253



**60" GREY  
DOUBLE BOWL**  
VN2CAD-60-GR-NT  
See page 253



**Astoria Collection**  
Vanity: VN2AST-24-ES-NT | Top: TOPR25LA  
Bowl: Integrated | Mirror: MIR2AST-22-ES

For a complete list of sizes & finish options see pages 252-253

# VANITY INDEX

## CHATHAM



**24" GREY**  
VN2CHA-24-GR-NT  
See page 256



**30" FOREST GREEN**  
VN2CHA-30-GN-NT  
See page 256



**36" WHITE**  
VN2CHA-36-WH-NT  
See page 256



**48" HALE BLUE**  
VN2CHA-48-BL-NT  
See page 257



**60" CHOCOLATE  
SINGLE BOWL**  
VN2CHA-60SCH-NT  
See page 257



**60" GREY  
DOUBLE BOWL**  
VN2CHA-60-GR-NT  
See page 257

For a complete list of sizes & finish options see pages 256-257

## SAVINO



**24" GREY**  
VN2SAV-24-GR-NT  
See page 260



**30" WHITE**  
VN2SAV-30-WH-NT  
See page 260



**36" GREY**  
VN2SAV-36-GR-NT  
See page 260



**48" WHITE**  
VN2SAV-48-WH-NT  
See page 261



**60" GREY  
DOUBLE BOWL**  
VN2SAV-60-GR-NT  
See page 261

For a complete list of sizes & finish options see pages 260-261

## WAVECREST



**24" GREY**  
VN2WAV-24-GR-NT  
See page 264



**30" FOREST GREEN**  
VN2WAV-30-GN-NT  
See page 264



**36" WHITE**  
VN2WAV-36-WH-NT  
See page 264



**48" HALE BLUE**  
VN2WAV-48-BL-NT  
See page 265



**60" GREY  
DOUBLE BOWL**  
VN2WAV-60-GR-NT  
See page 265

For a complete list of sizes & finish options see pages 264-265



# VANITY INDEX

## ADDINGTON



**24" GREY**  
VN2ADD-24-GR-NT  
See page 266



**30" WHITE**  
VN2ADD-30-WH-NT  
See page 267



**36" GREY**  
VN2ADD-36-GR-NT  
See page 267



**48" WHITE**  
VN2ADD-48-WH-NT  
See page 267



**60" GREY  
DOUBLE BOWL**  
VN2ADD-60-GR-NT  
See page 267

For a complete list of sizes & finish options see pages 266-267

## ADLER



**30" GREY**  
VN2ADL-30-GR-NT  
See page 270



**36" HALE BLUE**  
VN2ADL-36-BL-NT  
See page 270



**48" WHITE**  
VN2ADL-48-WH-NT  
See page 270



**60" BLACK  
DOUBLE BOWL**  
VN2ADL-60-BK-NT  
See page 271

For a complete list of sizes & finish options see pages 270-271



Shown with custom knobs.  
See page 279 for more information.

**Adler Collection**  
Vanity: VN2ADL-60-WH-NT | Top: CUSTOM  
Bowl: VN2-OVAL-15 | Mirror: MIR2DOU-42-WH

**SILVER  
LABEL**

# VANITY INDEX

## CLAIREMONT



**30" NUTMEG**  
VN2CLA-30-NU-NT  
See page 273



**48" NUTMEG**  
VN2CLA-48-NU-NT  
See page 273



**60" NUTMEG  
DOUBLE BOWL**  
VN2CLA-60-NU-NT  
See page 273



*This collection is being retired.  
Check availability online or  
call for more information.*

## COMPTON



**30" WALNUT**  
VN2COM-30-WA-NT  
See page 275



**48" WHITE**  
VN2COM-48-WH-NT  
See page 275



**60" WALNUT  
DOUBLE BOWL**  
VN2COM-60-WA-NT  
See page 275



*This collection is being retired.  
Check availability online or  
call for more information.*

For a complete list of sizes & finish options see page 275

## DOUGLAS



**24" HALE BLUE**  
VN2DOU-24-BL-NT  
See page 277



**30" WHITE**  
VN2DOU-30-WH-NT  
See page 277



**48" BLACK**  
VN2DOU-48-BK-NT  
See page 277



**60" WHITE  
DOUBLE BOWL**  
VN2DOU-60-WH-NT  
See page 277

For a complete list of sizes & finish options see page 277

## JENSEN



**30" HALE BLUE**  
VN2JEN-30-BL-NT



*This collection is being retired.  
Check availability online or  
call for more information.*

For a complete list of finish options see page 278

# QUALITY FEATURES

## JEFFREY ALEXANDER VANITIES



### Furniture Style Hardwood Construction

- Solid hardwood frame and furniture grade plywood

### Soft-close EVERYTHING

- Hardware Resources full extension, soft-close undermount drawer slides
- Hardware Resources soft-close hinges

### Maximum Storage

- Adjustable shelves
- Rollout drawers
- Custom hardwood tipout trays; no false front drawers

### Dovetail Hardwood Drawer Boxes

- Expertly crafted components for ultimate durability

SILVER  
LABEL

## JEFFREY ALEXANDER SILVER LABEL VANITIES



### High Quality MDF Construction

- Strong, durable, sealed material that is ideal for use in the bathroom
- Great for painted vanities

### Soft-close EVERYTHING

- Hardware Resources full extension, soft-close ball bearing drawer slides
- Hardware Resources soft-close hinges\*

### Maximum Storage

- Full extension drawers
- Generous cabinet sizes
- Stainless steel removable tipout trays; no false front drawers

## ALL OF OUR VANITIES FEATURE:



### Safety Compliant Material

All wood is compliant with CARB2/TSCA Title VI safety standards



### Lifetime Warranty

Lifetime warranty for the original purchaser



### On Trend Styles and Finishes



### Enhanced Packaging

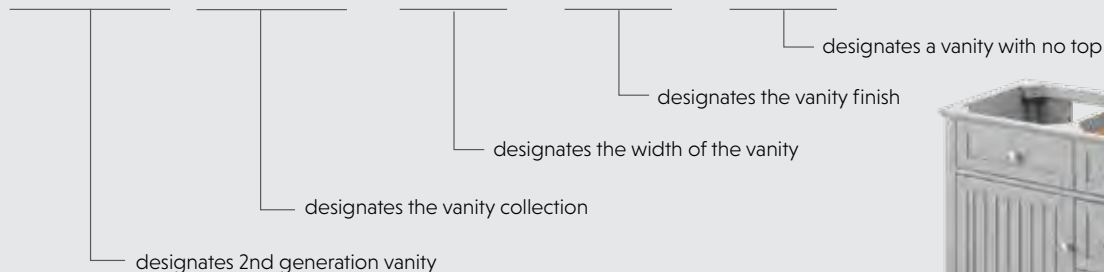
Extra padding and supports protect against damage in shipping

\*Where applicable

**VANITY PART NUMBER KEY**

Example (60" Grey Savino Vanity with No Top):

**VN2SAV-60-GR-NT**



**CODE ABBREVIATIONS**

<b>ADD</b>	Addington	<b>18</b>	18" vanity	<b>BK</b>	Black
<b>ADL</b>	Adler	<b>24</b>	24" vanity	<b>BL</b>	Hale Blue
<b>AST</b>	Astoria	<b>30</b>	30" vanity	<b>CH</b>	Chocolate
<b>CAD</b>	Cade	<b>36</b>	36" vanity	<b>ES</b>	Espresso
<b>CHA</b>	Chatham	<b>48</b>	48" vanity	<b>GN</b>	Forest Green
<b>CLA</b>	Clairemont	<b>60</b>	60" vanity (double bowl)	<b>GR</b>	Grey
<b>COM</b>	Compton	<b>61S</b>	60" vanity (single bowl)	<b>NU</b>	Nutmeg
<b>DOU</b>	Douglas			<b>WA</b>	Walnut
<b>JEN</b>	Jensen			<b>WH</b>	White
<b>SAV</b>	Savino				
<b>WAV</b>	Wavecrest				



VNSWATCH-KIT

**Vanity Finish Swatch Kits**

Jeffrey Alexander finish swatch kits are available from your sales representative.



Savino Collection

Vanity: VN2SAV-60-GR-NT | Top: TOPO61AS  
Bowl: VN2-OVAL-15 | Mirror: MIR2CHA-22-GR

---

# CREATE A LITTLE

---

Transform the bathroom into a garden of earthy delight with our **NEW** trendy finish, Forest Green.

Available in these popular styles & sizes.



**36" Cade**  
VN2CAD-36-GN-NT  
See page 253



**30" Chatham**  
VN2CHA-30-GN-NT  
See page 256



**30" Wavecrest**  
VN2WAV-30-GN-NT  
See page 264

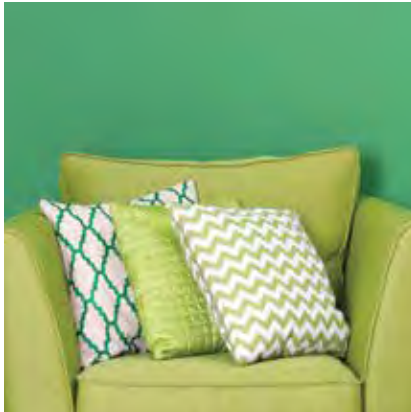


**36" Wavecrest**  
VN2WAV-36-GN-NT  
See page 264



**48" Wavecrest**  
VN2WAV-48-GN-NT  
See page 265

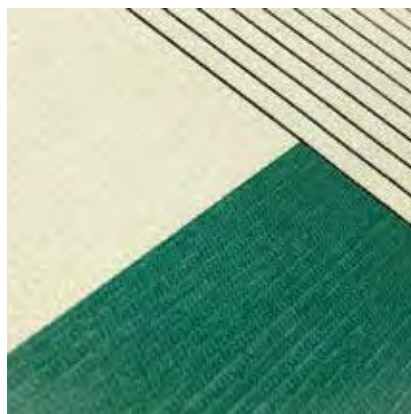




Green calls forth new beginnings. Green is renewal and abundance. Green is luscious grass, calm forests, healthy food, money, and your next bathroom vanity. You can bring the harmony of your entertaining space into the bathroom with a new finish on select Jeffrey Alexander vanities.

“ Green is the prime color of the world,  
and that from which its loveliness arises. ”

– Pedro Calderon de la Barca, Spanish poet, writer & dramatist



# ASTORIA COLLECTION

## AVAILABLE FINISHES



**NEW (WH)**  
White



**(GR)**  
Grey



**(ES)**  
Espresso

See pages 282-287 for available top options

This solid wood vanity features clean lines with a stepped door profile for a modern look. The deep Espresso, soft White, or modern Grey finish with Slade Satin Nickel knobs complements the style. For suggested mirrors, please see pages 288-289.



**Astoria Collection**

Vanity: VN2AST-48-WH-NT | Top: TOPR49LS  
Bowl: VN2-RECT-19 | Mirror: MIR2AST-28-WH

## FEATURES

- Sizes: 24", 30", 36", and 48"
- Furniture-style hardwood construction
- Full extension, soft-close undermount drawer slides
- Integrated soft-close hinges
- All drawers are solid wood & dovetailed
- Accepts rectangle or oval bowls
- Large, open cabinet(s) with adjustable shelf and solid wood rollout(s) (24", 36" & 48")
- Solid wood tipout tray (30" vanity)

## 24" VANITY



VN2AST-24-ES-NT

FINISH	VANITY	MIRROR	HARDWARE
Espresso	VN2AST-24-ES-NT 24" x 21-1/2" x 35"	MIR2AST-22-ES 22" x 34"	Satin Nickel
Grey	VN2AST-24-GR-NT 24" x 21-1/2" x 35"	MIR2AST-22-GR 22" x 34"	Satin Nickel
<b>NEW</b> White	VN2AST-24-WH-NT 24" x 21-1/2" x 35"	MIR2AST-22-WH 22" x 34"	Satin Nickel

## 30" VANITY



VN2AST-30-GR-NT

FINISH	VANITY	MIRROR	HARDWARE
Espresso	VN2AST-30-ES-NT 30" x 21-1/2" x 35"	MIR2AST-22-ES 22" x 34"	Satin Nickel
Grey	VN2AST-30-GR-NT 30" x 21-1/2" x 35"	MIR2AST-22-GR 22" x 34"	Satin Nickel
<b>NEW</b> White	VN2AST-30-WH-NT 30" x 21-1/2" x 35"	MIR2AST-22-WH 22" x 34"	Satin Nickel

## 36" VANITY



VN2AST-36-WH-NT

FINISH	VANITY	MIRROR	HARDWARE
Espresso	VN2AST-36-ES-NT 36" x 21-1/2" x 35"	MIR2AST-28-ES 28" x 34"	Satin Nickel
Grey	VN2AST-36-GR-NT 36" x 21-1/2" x 35"	MIR2AST-28-GR 28" x 34"	Satin Nickel
<b>NEW</b> White	VN2AST-36-WH-NT 36" x 21-1/2" x 35"	MIR2AST-28-WH 28" x 34"	Satin Nickel

## 48" VANITY



VN2AST-48-GR-NT

FINISH	VANITY	MIRROR	HARDWARE
Espresso	VN2AST-48-ES-NT 48" x 21-1/2" x 35"	MIR2AST-28-ES 28" x 34"	Satin Nickel
Grey	VN2AST-48-GR-NT 48" x 21-1/2" x 35"	MIR2AST-28-GR 28" x 34"	Satin Nickel
<b>NEW</b> White	VN2AST-48-WH-NT 48" x 21-1/2" x 35"	MIR2AST-28-WH 28" x 34"	Satin Nickel

### WHERE CAN I FIND THAT HARDWARE?



The decorative hardware included on this vanity is from the Slade collection. Find it in the Knobs & Pulls section of this catalog on page 160.



**Cade Collection**

Vanity: VN2CAD-36-BL-NT | Top: TOPR37WCCAD-ADD

Bowl: VN2-RECT-19 | Mirror: MIR2CAD-33-BL

# CADE

## COLLECTION

Sleek lines and raised panels come together to create a unique design for the sophisticated Cade vanity collection. Contemporary Stanton pulls adorn this vanity collection, adding elegance and class. Cade's design styles merge to create a perfectly transitional vanity collection. With a myriad of finishes, this vanity complements any bathroom with the perfect touch. For suggested mirrors, please see pages 288-289.



### Cade Collection

Vanity: VN2CAD-60-BK-NT | Top: TOPR61WC

Bowl: VN2-RECT-19 | Mirror: Custom

## FEATURES

- Sizes: 18", 24", 30", 36", 48", and 60" double bowl
- Furniture-style hardwood construction
- Full extension, soft-close undermount drawer slides
- Integrated soft-close hinges
- All drawers are solid wood & dovetailed
- Accepts rectangle or oval bowls
- Large, open cabinet(s) with adjustable shelf and solid wood rollout(s)

# CADE COLLECTION

See pages 282-287 for available top options

## AVAILABLE FINISHES



**(WH)**  
White



**(GR)**  
Grey



**(BK)**  
Black



**(BL)**  
Hale Blue



**NEW (GN)**  
Forest Green

## 18" VANITY\*



VN2CAD-18-GR-PO

FINISH	VANITY	MIRROR	HARDWARE
Grey	VN2CAD-18-GR-PO 17-3/8" x 13-1/2" x 36"	MIR2CAD-16-GR 16" x 27-15/16"	Polished Chrome
White	VN2CAD-18-WH-PO 17-3/8" x 13-1/2" x 36"	MIR2CAD-16-WH 16" x 27-15/16"	Polished Chrome

\*This vanity is pre-assembled with the white porcelain vessel top.

## 24" VANITY



VN2CAD-24-BK-NT

FINISH	VANITY	MIRROR	HARDWARE
Black	VN2CAD-24-BK-NT 24" x 21-1/2" x 35"	MIR2CAD-22-BK 22" x 28"	Polished Chrome
Grey	VN2CAD-24-GR-NT 24" x 21-1/2" x 35"	MIR2CAD-22-GR 22" x 28"	Polished Chrome
White	VN2CAD-24-WH-NT 24" x 21-1/2" x 35"	MIR2CAD-22-WH 22" x 28"	Polished Chrome

## 30" VANITY



VN2CAD-30-GR-NT

FINISH	VANITY	MIRROR	HARDWARE
Black	VN2CAD-30-BK-NT 30" x 21-1/2" x 35"	MIR2CAD-24-BK 24" x 28"	Polished Chrome
Grey	VN2CAD-30-GR-NT 30" x 21-1/2" x 35"	MIR2CAD-24-GR 24" x 28"	Polished Chrome
White	VN2CAD-30-WH-NT 30" x 21-1/2" x 35"	MIR2CAD-24-WH 24" x 28"	Polished Chrome

## 36" VANITY



VN2CAD-36-GN-NT

FINISH	VANITY	MIRROR	HARDWARE
Black	VN2CAD-36-BK-NT 36" x 21-1/2" x 35"	MIR2CAD-33-BK 33" x 28"	Polished Chrome
Grey	VN2CAD-36-GR-NT 36" x 21-1/2" x 35"	MIR2CAD-33-GR 33" x 28"	Polished Chrome
White	VN2CAD-36-WH-NT 36" x 21-1/2" x 35"	MIR2CAD-33-WH 33" x 28"	Polished Chrome
Hale Blue	VN2CAD-36-BL-NT 36" x 21-1/2" x 35"	MIR2CAD-33-BL 33" x 28"	Satin Bronze
<b>NEW</b> Forest Green	VN2CAD-36-GN-NT 36" x 21-1/2" x 35"	MIR2CAD-33-GN 33" x 28"	Satin Bronze

## 48" VANITY



VN2CAD-48-BL-NT

FINISH	VANITY	MIRROR	HARDWARE
Black	VN2CAD-48-BK-NT 48" x 21-1/2" x 35"	MIR2CAD-33-BK 33" x 28"	Polished Chrome
Grey	VN2CAD-48-GR-NT 48" x 21-1/2" x 35"	MIR2CAD-33-GR 33" x 28"	Polished Chrome
White	VN2CAD-48-WH-NT 48" x 21-1/2" x 35"	MIR2CAD-33-WH 33" x 28"	Polished Chrome
Hale Blue	VN2CAD-48-BL-NT 48" x 21-1/2" x 35"	MIR2CAD-33-BL 33" x 28"	Satin Bronze

## 60" VANITY DOUBLE BOWL



VN2CAD-60-BK-NT

FINISH	VANITY	MIRROR	HARDWARE
Black	VN2CAD-60-BK-NT 60" x 21-1/2" x 35"	MIR2CAD-22-BK 22" x 28"	Polished Chrome
Grey	VN2CAD-60-GR-NT 60" x 21-1/2" x 35"	MIR2CAD-22-GR 22" x 28"	Polished Chrome
White	VN2CAD-60-WH-NT 60" x 21-1/2" x 35"	MIR2CAD-22-WH 22" x 28"	Polished Chrome

### WHERE CAN I FIND THAT HARDWARE?



The decorative hardware included on this vanity is from the Stanton collection. Find it in the Knobs & Pulls section of this catalog on page 162.

**Bath  
Vanities**



**Chatham Collection**

Vanity: VN2CHA-36-WH-NT | Top: TOPO37MG  
Bowl: VN2-OVAL-15 | Mirror: MIR2CHA-28-WH



# CHATHAM

## COLLECTION

The Chatham vanity collection embraces the classic Shaker style with refined elegance. Our popular Chatham collection is available in a diverse selection of colors and sizes that provide a variety of options. For suggested mirrors, please see pages 288-289.



#### Chatham Collection

Vanity: VN2CHA-60-GR-NT | Top: TOPO61WC  
Bowl: VN2-OVAL-15 | Mirror: MIR2CHA-40-GR

### FEATURES

- Sizes: 24", 30", 36", 48", 60" single bowl and 60" double bowl
- Furniture-style hardwood construction
- Full extension, soft-close undermount drawer slides
- Integrated soft-close hinges
- All drawers are solid wood & dovetailed
- Accepts rectangle or oval bowls
- Large, open cabinet(s) with adjustable shelf and solid wood rollout(s)
- Solid wood tipout tray

# CHATHAM COLLECTION

See pages 282-287 for available top options

## AVAILABLE FINISHES



**(WH)**  
White



**(GR)**  
Grey



**(CH)**  
Chocolate



**(BL)**  
Hale Blue



**NEW (GN)**  
Forest Green

## 24" VANITY



VN2CHA-24-WH-NT

FINISH	VANITY	MIRROR	HARDWARE
Chocolate	VN2CHA-24-CH-NT 24" x 21-1/2" x 35"	MIR2CHA-22-CH 22" x 34"	Satin Nickel
Grey	VN2CHA-24-GR-NT 24" x 21-1/2" x 35"	MIR2CHA-22-GR 22" x 34"	Satin Nickel
White	VN2CHA-24-WH-NT 24" x 21-1/2" x 35"	MIR2CHA-22-WH 22" x 34"	Satin Nickel
Hale Blue	VN2CHA-24-BL-NT 24" x 21-1/2" x 35"	MIR2CHA-22-BL 22" x 34"	Satin Bronze

## 30" VANITY



VN2CHA-30-GN-NT

FINISH	VANITY	MIRROR	HARDWARE
Chocolate	VN2CHA-30-CH-NT 30" x 21-1/2" x 35"	MIR2CHA-22-CH 22" x 34"	Satin Nickel
Grey	VN2CHA-30-GR-NT 30" x 21-1/2" x 35"	MIR2CHA-22-GR 22" x 34"	Satin Nickel
White	VN2CHA-30-WH-NT 30" x 21-1/2" x 35"	MIR2CHA-22-WH 22" x 34"	Satin Nickel
Hale Blue	VN2CHA-30-BL-NT 30" x 21-1/2" x 35"	MIR2CHA-22-BL 22" x 34"	Satin Bronze
<b>NEW</b> Forest Green	VN2CHA-30-GN-NT 30" x 21-1/2" x 35"	MIR2CHA-28-GN 28" x 34"	Satin Bronze

## 36" VANITY



VN2CHA-36-BL-NT

FINISH	VANITY	MIRROR	HARDWARE
Chocolate	VN2CHA-36-CH-NT 36" x 21-1/2" x 35"	MIR2CHA-28-CH 28" x 34"	Satin Nickel
Grey	VN2CHA-36-GR-NT 36" x 21-1/2" x 35"	MIR2CHA-28-GR 28" x 34"	Satin Nickel
White	VN2CHA-36-WH-NT 36" x 21-1/2" x 35"	MIR2CHA-28-WH 28" x 34"	Satin Nickel
Hale Blue	VN2CHA-36-BL-NT 36" x 21-1/2" x 35"	MIR2CHA-28-BL 28" x 34"	Satin Bronze

## 48" VANITY



VN2CHA-48-WH-NT

FINISH	VANITY	MIRROR	HARDWARE
Chocolate	VN2CHA-48-CH-NT 48" x 21-1/2" x 35"	MIR2CHA-40-CH 40" x 34"	Satin Nickel
Grey	VN2CHA-48-GR-NT 48" x 21-1/2" x 35"	MIR2CHA-40-GR 40" x 34"	Satin Nickel
White	VN2CHA-48-WH-NT 48" x 21-1/2" x 35"	MIR2CHA-40-WH 40" x 34"	Satin Nickel
Hale Blue	VN2CHA-48-BL-NT 48" x 21-1/2" x 35"	MIR2CHA-40-BL 40" x 34"	Satin Bronze

## 60" VANITY SINGLE BOWL



VN2CHA-60SCH-NT

FINISH	VANITY	MIRROR	HARDWARE
Chocolate	VN2CHA-60SCH-NT* 60" x 21-1/2" x 35"	MIR2CHA-40-CH 40" x 34"	Satin Nickel
Grey	VN2CHA-60SGR-NT* 60" x 21-1/2" x 35"	MIR2CHA-40-GR 40" x 34"	Satin Nickel
White	VN2CHA-60SWH-NT* 60" x 21-1/2" x 35"	MIR2CHA-40-WH 40" x 34"	Satin Nickel

\*The "S" in the item number designates this 60" vanity is designed for a single bowl.

## 60" VANITY DOUBLE BOWL



VN2CHA-60-GR-NT

FINISH	VANITY	MIRROR	HARDWARE
Chocolate	VN2CHA-60-CH-NT 60" x 21-1/2" x 35"	MIR2CHA-22-CH 22" x 34"	Satin Nickel
Grey	VN2CHA-60-GR-NT 60" x 21-1/2" x 35"	MIR2CHA-22-GR 22" x 34"	Satin Nickel
White	VN2CHA-60-WH-NT 60" x 21-1/2" x 35"	MIR2CHA-22-WH 22" x 34"	Satin Nickel

### WHERE CAN I FIND THAT HARDWARE?



The decorative hardware included on this vanity are from the Bremen 1 & Cordova collections. Find them in the Knobs & Pulls section of this catalog on pages 38 & 49.



**Savino Collection**

Vanity: VN2SAV-30-WH-NT | Top: TOPO31SG

Bowl: VN2-OVAL-15 | Mirror: MIR2CHA-28-WH

---

# SAVINO

## COLLECTION

---

Savino provides a fresh twist on the classic Shaker style and includes innovative features to enhance the beauty of this vanity. Rollout drawers are integrated into the cabinet to make storage easier and more convenient. The White or Grey finish is complemented by the Annadale family of knobs. For suggested mirrors, please see pages 288-289.



**Savino Collection**

Vanity: VN2SAV-60-GR-NT | Top: Custom

Bowl: VN2-RECT-19 | Mirror: MIR2CHA-22-GR

**FEATURES**

- Sizes: 24", 30", 36", 48", and 60" double bowl
- Furniture-style hardwood construction
- Full extension, soft-close undermount drawer slides
- Integrated soft-close hinges
- All drawers are solid wood & dovetailed
- Accepts rectangle or oval bowls
- Large, open cabinet(s) with adjustable shelf and solid wood rollout(s)
- Solid wood tipout tray

# SAVINO COLLECTION

See pages 282-287 for available top options

## AVAILABLE FINISHES



**(WH)**  
White



**(GR)**  
Grey

## 24" VANITY



VN2SAV-24-GR-NT

FINISH	VANITY	MIRROR	HARDWARE
Grey	VN2SAV-24-GR-NT 24" x 21-1/2" x 35"	MIR2CHA-22-GR 22" x 34"	Satin Nickel
White	VN2SAV-24-WH-NT 24" x 21-1/2" x 35"	MIR2CHA-22-WH 22" x 34"	Matte Black

## 30" VANITY



VN2SAV-30-WH-NT

FINISH	VANITY	MIRROR	HARDWARE
Grey	VN2SAV-30-GR-NT 30" x 21-1/2" x 35"	MIR2CHA-22-GR 22" x 34"	Satin Nickel
White	VN2SAV-30-WH-NT 30" x 21-1/2" x 35"	MIR2CHA-22-WH 22" x 34"	Matte Black

## 36" VANITY



VN2SAV-36-GR-NT

FINISH	VANITY	MIRROR	HARDWARE
Grey	VN2SAV-36-GR-NT 36" x 21-1/2" x 35"	MIR2CHA-28-GR 28" x 34"	Satin Nickel
White	VN2SAV-36-WH-NT 36" x 21-1/2" x 35"	MIR2CHA-28-WH 28" x 34"	Matte Black

## 48" VANITY



VN2SAV-48-WH-NT

FINISH	VANITY	MIRROR	HARDWARE
Grey	VN2SAV-48-GR-NT 48" x 21-1/2" x 35"	MIR2CHA-40-GR 40" x 34"	Satin Nickel
White	VN2SAV-48-WH-NT 48" x 21-1/2" x 35"	MIR2CHA-40-WH 40" x 34"	Matte Black

## 60" VANITY DOUBLE BOWL



VN2SAV-60-GR-NT

FINISH	VANITY	MIRROR	HARDWARE
Grey	VN2SAV-60-GR-NT 60" x 21-1/2" x 35"	MIR2CHA-22-GR 22" x 34"	Satin Nickel
White	VN2SAV-60-WH-NT 60" x 21-1/2" x 35"	MIR2CHA-22-WH 22" x 34"	Matte Black

### WHERE CAN I FIND THAT HARDWARE?



The decorative hardware included on this vanity is from the Annadale collection. Find it in the Knobs & Pulls section of this catalog on page 26.



**Savino Collection**

Vanity: VN2SAV-48-GR-NT | Top: TOPR49GQ

Bowl: VN2-RECT-19 | Mirror: MIR2CHA-40-GR



**Wavecrest Collection**

Vanity: VN2WAV-48-GR-NT | Top: TOPR49WC

Bowl: VN2-RECT-19 | Mirror: MIR2CAD-33-GR



# WAVECREST

## COLLECTION

Escape to the seaside with the Wavecrest vanity collection. Crisp, clean edges and a slatted bottom shelf evoke a feeling of stepping out into the calm of the seaside. False front drawers with breezy Key West pulls are transformed into hidden tipout storage space with solid wood trays. For suggested mirrors, please see pages 288-289.



### FEATURES

- Sizes: 24", 30", 36", 48", and 60" double bowl
- Furniture-style hardwood construction
- Full extension, soft-close undermount drawer slides
- Integrated soft-close hinges
- All drawers are solid wood & dovetailed
- Accepts rectangle or oval bowls
- Solid wood tipout tray

# WAVECREST COLLECTION

See pages 282-287 for available top options

## AVAILABLE FINISHES



**(WH)**  
White



**(GR)**  
Grey



**(BL)**  
Hale Blue



**NEW (GN)**  
Forest Green

## 24" VANITY



VN2WAV-24-GR-NT

FINISH	VANITY	MIRROR	HARDWARE
Grey	VN2WAV-24-GR-NT 24" x 21-1/2" x 35"	MIR2CAD-22-GR 22" x 28"	Satin Nickel
White	VN2WAV-24-WH-NT 24" x 21-1/2" x 35"	MIR2CAD-22-WH 22" x 28"	Matte Black

## 30" VANITY



VN2WAV-30-BL-NT

FINISH	VANITY	MIRROR	HARDWARE
Grey	VN2WAV-30-GR-NT 30" x 21-1/2" x 35"	MIR2CAD-24-GR 24" x 28"	Satin Nickel
White	VN2WAV-30-WH-NT 30" x 21-1/2" x 35"	MIR2CAD-24-WH 24" x 28"	Matte Black
Hale Blue	VN2WAV-30-BL-NT 30" x 21-1/2" x 35"	MIR2CAD-24-BL 24" x 28"	Satin Bronze
<b>NEW</b> Forest Green	VN2WAV-30-GN-NT 30" x 21-1/2" x 35"	MIR2CAD-24-GN 24" x 28"	Satin Bronze

## 36" VANITY



VN2WAV-36-GN-NT

FINISH	VANITY	MIRROR	HARDWARE
Grey	VN2WAV-36-GR-NT 36" x 21-1/2" x 35"	MIR2CAD-33-GR 33" x 28"	Satin Nickel
White	VN2WAV-36-WH-NT 36" x 21-1/2" x 35"	MIR2CAD-33-WH 33" x 28"	Matte Black
Hale Blue	VN2WAV-36-BL-NT 36" x 21-1/2" x 35"	MIR2CAD-33-BL 33" x 28"	Satin Bronze
<b>NEW</b> Forest Green	VN2WAV-36-GN-NT 36" x 21-1/2" x 35"	MIR2CAD-33-GN 33" x 28"	Satin Bronze

## 48" VANITY



VN2WAV-48-WH-NT

FINISH	VANITY	MIRROR	HARDWARE
Grey	VN2WAV-48-GR-NT 48" x 21-1/2" x 35"	MIR2CAD-33-GR 33" x 28"	Satin Nickel
White	VN2WAV-48-WH-NT 48" x 21-1/2" x 35"	MIR2CAD-33-WH 33" x 28"	Matte Black
Hale Blue	VN2WAV-48-BL-NT 48" x 21-1/2" x 35"	MIR2CAD-33-BL 33" x 28"	Satin Bronze
<b>NEW</b> Forest Green	VN2WAV-48-GN-NT 48" x 21-1/2" x 35"	MIR2CAD-33-GN 33" x 28"	Satin Bronze

## 60" VANITY DOUBLE BOWL



VN2WAV-60-GR-NT

FINISH	VANITY	MIRROR	HARDWARE
Grey	VN2WAV-60-GR-NT 60" x 21-1/2" x 35"	MIR2CAD-22-GR 22" x 28"	Satin Nickel
White	VN2WAV-60-WH-NT 60" x 21-1/2" x 35"	MIR2CAD-22-WH 22" x 28"	Matte Black

### WHERE CAN I FIND THAT HARDWARE?



The decorative hardware included on this vanity is from the Key West collection. Find it in the Knobs & Pulls section of this catalog on page 72.



Wavecrest Collection

Vanity: VN2WAV-36-WH-NT | Top: TOPR37SG

Bowl: VN2-RECT-19 | Mirror: MIR2CAD-33-WH

SILVER  
LABEL

# ADDINGTON COLLECTION

## AVAILABLE FINISHES



(WH)  
White



(GR)  
Grey

See pages 282-287 for  
available top options



Addington is the full embodiment of Shaker style. Its simple and clean lines with tapered feet display the classic trend with grace and sophistication. Addington is complemented by the Roman collection of knobs. For suggested mirrors, please see pages 288-289.

## FEATURES

- Sizes: 24", 30", 36", 48", and 60" double bowl
- Full extension, soft-close ball bearing drawer slides
- Integrated soft-close hinges
- Large, open cabinet(s)
- Durable & sealed MDF construction
- Accepts rectangle or oval bowls

### Addington Collection

Vanity: VN2ADD-24-WH-NT | Top: TOPO25BO  
Bowl: VN2-OVAL-15 | Mirror: MIR2ADL-24-WH

## 24" VANITY



VN2ADD-24-WH-NT

FINISH	VANITY	MIRROR	HARDWARE
Grey	VN2ADD-24-GR-NT 24-15/16" x 21-15/16" x 35"	MIR2ADL-24-GR 24" x 28"	Satin Nickel
White	VN2ADD-24-WH-NT 24-15/16" x 21-15/16" x 35"	MIR2ADL-24-WH 24" x 28"	Matte Black

## WHERE CAN I FIND THAT HARDWARE?



The decorative hardware included on this vanity is from the Roman collection. Find it in the Knobs & Pulls section of this catalog on page 102.

## 30" VANITY



VN2ADD-30-GR-NT

FINISH	VANITY	MIRROR	HARDWARE
Grey	VN2ADD-30-GR-NT 30-15/16" x 21-15/16" x 35"	MIR2ADL-24-GR 24" x 28"	Satin Nickel
White	VN2ADD-30-WH-NT 30-15/16" x 21-15/16" x 35"	MIR2ADL-24-WH 24" x 28"	Matte Black

## 36" VANITY



VN2ADD-36-WH-NT

FINISH	VANITY	MIRROR	HARDWARE
Grey	VN2ADD-36-GR-NT 36-15/16" x 21-15/16" x 35"	MIR2ADL-24-GR 24" x 28"	Satin Nickel
White	VN2ADD-36-WH-NT 36-15/16" x 21-15/16" x 35"	MIR2ADL-24-WH 24" x 28"	Matte Black

## 48" VANITY



VN2ADD-48-WH-NT

FINISH	VANITY	MIRROR	HARDWARE
Grey	VN2ADD-48-GR-NT 48-15/16" x 21-15/16" x 35"	MIR2ADL-24-GR 24" x 28"	Satin Nickel
White	VN2ADD-48-WH-NT 48-15/16" x 21-15/16" x 35"	MIR2ADL-24-WH 24" x 28"	Matte Black

## 60" VANITY DOUBLE BOWL



VN2ADD-60-WH-NT

FINISH	VANITY	MIRROR	HARDWARE
Grey	VN2ADD-60-GR-NT 60-15/16" x 21-15/16" x 35"	MIR2ADL-24-GR 24" x 28"	Satin Nickel
White	VN2ADD-60-WH-NT 60-15/16" x 21-15/16" x 35"	MIR2ADL-24-WH 24" x 28"	Matte Black



Adler Collection  
Vanity: VN2ADL-48-BL-NT | Top: TOPO49WC  
Bowl: VN2-OVAL-15 | Mirror: MIR2ADL-24-BL

# ADLER

## COLLECTION

Sleek square legs, an open bottom shelf, and the classic Shaker design create a perfect blend of style and function. The Adler collection includes vanities with various features such as open cabinets, full extension drawers, and tipout trays to accentuate the bath with storage solutions. For suggested mirrors, please see pages 288-289.



**Adler Collection**

Vanity: VN2ADL-36-GR-NT | Top: Custom  
Bowl: VN2-OVAL-15 | Mirror: Custom

### FEATURES

- Sizes: 30", 36", 48", and 60" double bowl
- Full extension, soft-close ball bearing drawer slides
- Integrated soft-close hinges
- Large open cabinet(s) (48" & 60")
- Stainless steel tipout tray (30" & 36")
- Durable & sealed MDF construction
- Accepts rectangle or oval bowls



# ADLER COLLECTION

## AVAILABLE FINISHES



**(WH)**  
White



**(GR)**  
Grey



**(BK)**  
Black



**(BL)**  
Hale Blue

See pages 282-287 for available top options

### 30" VANITY



VN2ADL-30-BK-NT

FINISH	VANITY	MIRROR	HARDWARE
Black	VN2ADL-30-BK-NT 30" x 21-1/2" x 35"	MIR2ADL-24-BK 24" x 28"	Satin Nickel
Grey	VN2ADL-30-GR-NT 30" x 21-1/2" x 35"	MIR2ADL-24-GR 24" x 28"	Satin Nickel
White	VN2ADL-30-WH-NT 30" x 21-1/2" x 35"	MIR2ADL-24-WH 24" x 28"	Satin Nickel
Hale Blue	VN2ADL-30-BL-NT 30" x 21-1/2" x 35"	MIR2ADL-24-BL 24" x 28"	Satin Bronze

### 36" VANITY



VN2ADL-36-GR-NT

FINISH	VANITY	MIRROR	HARDWARE
Black	VN2ADL-36-BK-NT 36" x 21-1/2" x 35"	MIR2ADL-24-BK 24" x 28"	Satin Nickel
Grey	VN2ADL-36-GR-NT 36" x 21-1/2" x 35"	MIR2ADL-24-GR 24" x 28"	Satin Nickel
White	VN2ADL-36-WH-NT 36" x 21-1/2" x 35"	MIR2ADL-24-WH 24" x 28"	Satin Nickel
Hale Blue	VN2ADL-36-BL-NT 36" x 21-1/2" x 35"	MIR2ADL-24-BL 24" x 28"	Satin Bronze

### 48" VANITY



VN2ADL-48-BL-NT

FINISH	VANITY	MIRROR	HARDWARE
Black	VN2ADL-48-BK-NT 48" x 21-1/2" x 35"	MIR2ADL-24-BK 24" x 28"	Satin Nickel
Grey	VN2ADL-48-GR-NT 48" x 21-1/2" x 35"	MIR2ADL-24-GR 24" x 28"	Satin Nickel
White	VN2ADL-48-WH-NT 48" x 21-1/2" x 35"	MIR2ADL-24-WH 24" x 28"	Satin Nickel
Hale Blue	VN2ADL-48-BL-NT 48" x 21-1/2" x 35"	MIR2ADL-24-BL 24" x 28"	Satin Bronze



## 60" VANITY DOUBLE BOWL



VN2ADL-60-WH-NT

FINISH	VANITY	MIRROR	HARDWARE
Black	VN2ADL-60-BK-NT 60" x 21-1/2" x 35"	MIR2ADL-24-BK 24" x 28"	Satin Nickel
Grey	VN2ADL-60-GR-NT 60" x 21-1/2" x 35"	MIR2ADL-24-GR 24" x 28"	Satin Nickel
White	VN2ADL-60-WH-NT 60" x 21-1/2" x 35"	MIR2ADL-24-WH 24" x 28"	Satin Nickel

### WHERE CAN I FIND THAT HARDWARE?



The decorative hardware included on this vanity are from the Modena & Roman collections. Find them in the Knobs & Pulls section of this catalog on pages 94 & 102.



**Adler Collection**

Vanity: VN2ADL-60-BK-NT | Top: TOPO61WC  
Bowl: VN2-OVAL-15 | Mirror: Custom

SILVER  
LABEL

# CLAIREMONT COLLECTION



*This collection is being retired.  
Check availability online or call for more information.*

## AVAILABLE FINISHES



**(NU)**  
Nutmeg

*Tops are available in White Carrara  
Marble and Black Granite only*

Carved floral onlays, rope trimmed knobs from the Lindos collection, and French scrolled legs add sophistication to this traditional vanity. A large cabinet provides storage space for towels and linens. Larger units feature drawers for additional storage space. For suggested mirrors, please see pages 288-289.



### Clairemont Collection

Vanity: VN2CLA-48-NU-NT | Top: TOPR49BGCLA  
Bowl: VN2-RECT-19 | Mirror: MIR2CLA-24-NU

## FEATURES

- Sizes: 30", 48", and 60" double bowl
- Full extension, soft-close ball bearing drawer slides
- Large open cabinet(s)
- Hand-carved details
- Durable & sealed MDF construction
- Accepts rectangle or oval bowls
- Due to the unique shape of this vanity, the tops for this collection are only available in Black Granite and White Carrara Marble

## 30" VANITY



VN2CLA-30-NU-NT

FINISH	VANITY	MIRROR	HARDWARE
Nutmeg	VN2CLA-30-NU-NT 30" x 21-1/2" x 35"	MIR2CLA-24-NU 23-3/4" x 31-1/2"	Brushed Oil Rubbed Bronze

## 48" VANITY



VN2CLA-48-NU-NT

FINISH	VANITY	MIRROR	HARDWARE
Nutmeg	VN2CLA-48-NU-NT 48" x 21-1/2" x 35"	MIR2CLA-24-NU 23-3/4" x 31-1/2"	Brushed Oil Rubbed Bronze

## 60" VANITY DOUBLE BOWL



VN2CLA-60-NU-NT

FINISH	VANITY	MIRROR	HARDWARE
Nutmeg	VN2CLA-60-NU-NT 60" x 21-1/2" x 35"	MIR2CLA-24-NU 23-3/4" x 31-1/2"	Brushed Oil Rubbed Bronze

### WHERE CAN I FIND THAT HARDWARE?



The decorative hardware included on this vanity is from the Lindos collection. Find it in the Knobs & Pulls section of this catalog on page 152.

**SILVER  
LABEL**

# COMPTON COLLECTION



*This collection is being retired.  
Check availability online or call for more information.*

## AVAILABLE FINISHES



**(WA)**  
Walnut



**(WH)**  
White

*Tops are available in White Carrara  
Marble and Black Granite only*

Simple beadboard doors, curved bun feet, and a rounded front form this cottage-style vanity collection. Transform any space with the Walnut or White finish to create a focal point that fits your style. For suggested mirrors, please see pages 288-289.



**Compton Collection**  
Vanity: VN2COM-60-WH-NT | Top: TOPO61BGCOM  
Bowl: VN2-OVAL-15 | Mirror: MIR2COM-22-WH

## FEATURES

- Sizes: 30", 48", and 60" double bowl
- Full extension, soft-close ball bearing drawer slides
- Large open cabinet(s)
- Durable & sealed MDF construction
- Accepts rectangle or oval bowls
- Due to the unique shape of this vanity, the tops for this collection are only available in Black Granite and White Carrara Marble

## 30" VANITY



VN2COM-30-WH-NT

FINISH	VANITY	MIRROR	HARDWARE
Walnut	VN2COM-30-WA-NT 30" x 21-1/2" x 35"	MIR2COM-26-WA 26" x 36"	Antique Brass
White	VN2COM-30-WH-NT 30" x 21-1/2" x 35"	MIR2COM-26-WH 26" x 36"	Satin Nickel

## 48" VANITY



VN2COM-48-WA-NT

FINISH	VANITY	MIRROR	HARDWARE
Walnut	VN2COM-48-WA-NT 48" x 21-1/2" x 35"	MIR2COM-44-WA 44" x 34"	Antique Brass
White	VN2COM-48-WH-NT 48" x 21-1/2" x 35"	MIR2COM-44-WH 44" x 34"	Satin Nickel

## 60" VANITY DOUBLE BOWL



VN2COM-60-WH-NT

FINISH	VANITY	MIRROR	HARDWARE
Walnut	VN2COM-60-WA-NT 60" x 21-1/2" x 35"	MIR2COM-22-WA 22" x 30"	Antique Brass
White	VN2COM-60-WH-NT 60" x 21-1/2" x 35"	MIR2COM-22-WH 22" x 30"	Satin Nickel

### WHERE CAN I FIND THAT HARDWARE?



The decorative hardware included on this vanity is from the Bremen 2 collection. Find it in the Knobs & Pulls section of this catalog on page 40.

**SILVER  
LABEL**

# DOUGLAS COLLECTION

## AVAILABLE FINISHES



**(WH)**  
White



**(BK)**  
Black



**(BL)**  
Hale Blue

See pages 282-287 for available top options



**Douglas Collection**  
Vanity: VN2DOU-30-BK-NT | Top: TOPO31BQ  
Bowl: VN2-OVAL-15 | Mirror: MIR2DOU-20-BK

Smooth lines with faceted accents, tapered feet, classic edging, and trendy Roman knobs create a versatile style. Place a Douglas vanity in a modern space or in a traditional room and see the transformation! For suggested mirrors, please see pages 288-289.

## FEATURES

- Sizes: 24", 30", 48", and 60" double bowl
- Full extension, soft-close ball bearing drawer slides
- Integrated soft-close hinges
- Large open cabinet(s)
- Durable & sealed MDF construction
- Accepts rectangle or oval bowls

## WHERE CAN I FIND THAT HARDWARE?



The decorative hardware included on this vanity is from the Roman collection. Find it in the Knobs & Pulls section of this catalog on page 102.

## 24" VANITY



VN2DOU-24-BL-NT

FINISH	VANITY	MIRROR	HARDWARE
Black	VN2DOU-24-BK-NT 24" x 21-1/2" x 35"	MIR2DOU-20-BK 20" x 24"	Satin Nickel
White	VN2DOU-24-WH-NT 24" x 21-1/2" x 35"	MIR2DOU-20-WH 20" x 24"	Satin Nickel
Hale Blue	VN2DOU-24-BL-NT 24" x 21-1/2" x 35"	MIR2DOU-20-BL 20" x 24"	Satin Bronze

## 30" VANITY



VN2DOU-30-BK-NT

FINISH	VANITY	MIRROR	HARDWARE
Black	VN2DOU-30-BK-NT 30" x 21-1/2" x 35"	MIR2DOU-20-BK 20" x 24"	Satin Nickel
White	VN2DOU-30-WH-NT 30" x 21-1/2" x 35"	MIR2DOU-20-WH 20" x 24"	Satin Nickel
Hale Blue	VN2DOU-30-BL-NT 30" x 21-1/2" x 35"	MIR2DOU-20-BL 20" x 24"	Satin Bronze

## 48" VANITY



VN2DOU-48-WH-NT

FINISH	VANITY	MIRROR	HARDWARE
Black	VN2DOU-48-BK-NT 48" x 21-1/2" x 35"	MIR2DOU-42-BK 42" x 28"	Satin Nickel
White	VN2DOU-48-WH-NT 48" x 21-1/2" x 35"	MIR2DOU-42-WH 42" x 28"	Satin Nickel
Hale Blue	VN2DOU-48-BL-NT 48" x 21-1/2" x 35"	MIR2DOU-42-BL 42" x 28"	Satin Bronze

## 60" VANITY DOUBLE BOWL




VN2DOU-60-BK-NT

FINISH	VANITY	MIRROR	HARDWARE
Black	VN2DOU-60-BK-NT 60" x 21-1/2" x 35"	MIR2DOU-20-BK 20" x 24"	Satin Nickel
White	VN2DOU-60-WH-NT 60" x 21-1/2" x 35"	MIR2DOU-20-WH 20" x 24"	Satin Nickel

**SILVER  
LABEL**

# JENSEN COLLECTION

 *This collection is being retired.*  
Check availability online or call for more information.

## AVAILABLE FINISHES



**(WH)**  
White



**(GR)**  
Grey



**(BK)**  
Black



**(BL)**  
Hale Blue

See pages 282-287 for available top options



Jensen Collection

Vanity: VN2JEN-30-BL-NT | Top: TOPO31CQ

Bowl: VN2-OVAL-15 | Mirror: MIR2JEN-22-BL

Classic refinement is accentuated with a set of elegantly tapered legs that support the Jensen vanity. This collection is ideal for smaller spaces and provides generous storage in the large open cabinet adorned with the Slade collection of knobs. For suggested mirrors, please see pages 288-289.



VN2JEN-30-GR-NT



VN2JEN-30-BK-NT

FINISH	VANITY	MIRROR	HARDWARE
Black	VN2JEN-30-BK-NT 30" x 21-1/2" x 35"	MIR2JEN-22-BK 22" x 24"	Satin Nickel
Grey	VN2JEN-30-GR-NT 30" x 21-1/2" x 35"	MIR2JEN-22-GR 22" x 24"	Satin Nickel
White	VN2JEN-30-WH-NT 30" x 21-1/2" x 35"	MIR2JEN-22-WH 22" x 24"	Satin Nickel
Hale Blue	VN2JEN-30-BL-NT 30" x 21-1/2" x 35"	MIR2JEN-22-BL 22" x 24"	Satin Bronze

## FEATURES

- Size: 30"
- Durable & sealed MDF construction
- Integrated soft-close hinges
- Accepts rectangle or oval bowls
- Large open cabinet

## WHERE CAN I FIND THAT HARDWARE?



The decorative hardware included on this vanity are from the Slade & Madison collections. Find them in the Knobs & Pulls section of this catalog on pages 160 & 153.



Vanity updates are easy with the wide variety of quality knobs & pulls available under our Jeffrey Alexander and Elements brands. Ask your sales representative about these brands from Hardware Resources that will transform your vanity.



**Chatham vanity**

Brushed Gold knobs & pulls add a contemporary flair to a grey vanity.



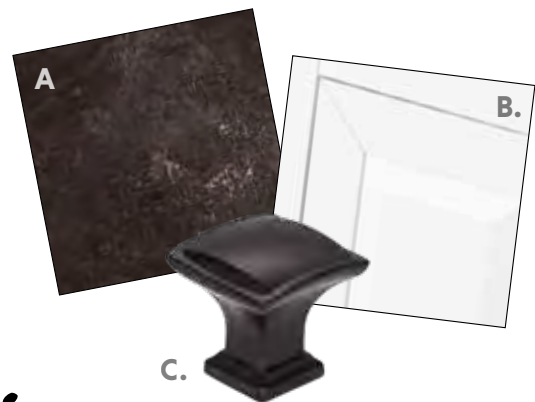
**Douglas vanity**

Matte Black knobs give a trendy feel to this classic vanity.

---

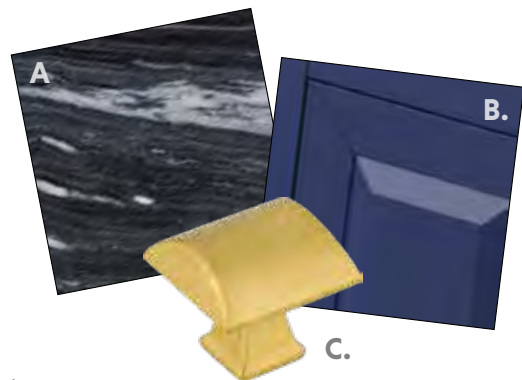
The world is bursting with inspiration to help set the tone that fits your style. Feel the earth beneath your feet. Gaze upon the galaxy. Experience the smell of a magnolia blossom. Taste a grape fresh from the vine. Listen for the wind's whisper. Discover thousands of possibilities through combining different colors and textures from Jeffrey Alexander.

Mood boards can focus inspiration into something tangible. We've selected our favorite combinations to provide a glimpse of the possibilities that can be used to bring your style to life.



## *eclectic*

A. Vanity Top Material: Blue Limestone | B. Vanity Finish: White | C. Decorative Hardware: Annadale Matte Black Knob

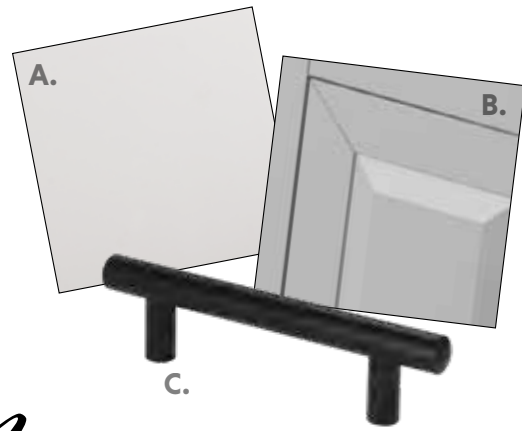


## *trendy*

A. Vanity Top Material: Grey Marble | B. Vanity Finish: Hale Blue | C. Decorative Hardware: Roman Brushed Gold Knob



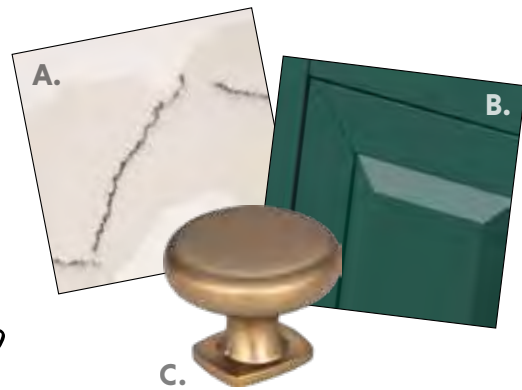
# modern



A. Vanity Top Material: Lavante | B. Vanity Finish: Grey | C. Decorative Hardware: Key West Matte Black Pull



# fresh



A. Vanity Top Material: Calacatta Vienna Quartz | B. Vanity Finish: Forest Green | C. Decorative Hardware: Belcastel 1 Satin Bronze Knob



# boho chic



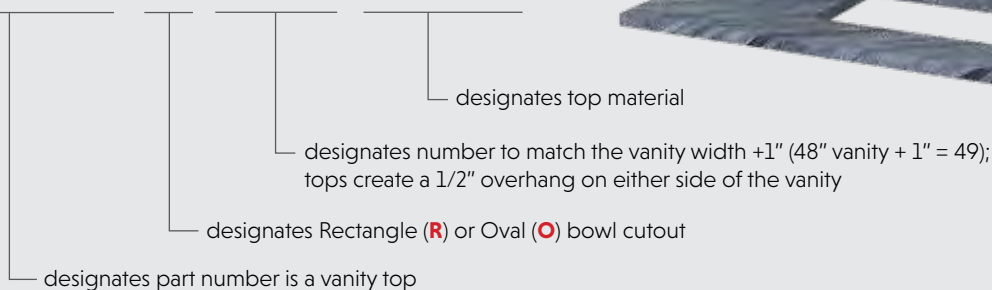
A. Vanity Top Material: Arctic Stone | B. Vanity Finish: Espresso | C. Decorative Hardware: Boswell Polished Chrome Pull

The power of selection is yours with the largest range of vanity tops. In keeping with industry trends, we offer 3 types of vanity tops at 3 tiered price points – Quartz, Natural Stone, and Cultured Marble. All vanity tops are cut with an 8" 3-hole faucet spread, either an oval or rectangle bowl, and include a 4" tall matching backsplash (except Lavante). Optional sidesplashes are also available.

**VANITY TOP PART NUMBER KEY**

**Example (49" Grey Marble Top with Rectangle Bowl Cutout):**

**T O P R 4 9 M G**



**CODE ABBREVIATIONS**

- 25** 25" top
- 31** 31" top
- 37** 37" top
- 49** 49" top
- 61** 61" top
- 61S** 61" single bowl top

- AS** Arctic Stone
- BG** Black Granite
- BO** Boulder
- BQ** Calacatta Black Quartz
- CQ** Calacatta Vienna Quartz
- GQ** Grey Quartz
- LA** Lavante
- LS** Blue Limestone
- MG** Grey Marble
- SG** Steel Grey
- WC** White Carrara Marble

**SPECIAL TOP CONFIGURATIONS:**



**36" Astoria** – has a right offset bowl, so a special top is required. "AST" is added to the part number to designate this configuration.  
**Example: TOPO37GQAST**



**36" Cade and 36" Addington** – have a left offset bowl, so a special top is required. "CAD-ADD" is added to the part number to designate this configuration. **Example: TOPR37SGCAD-ADD**



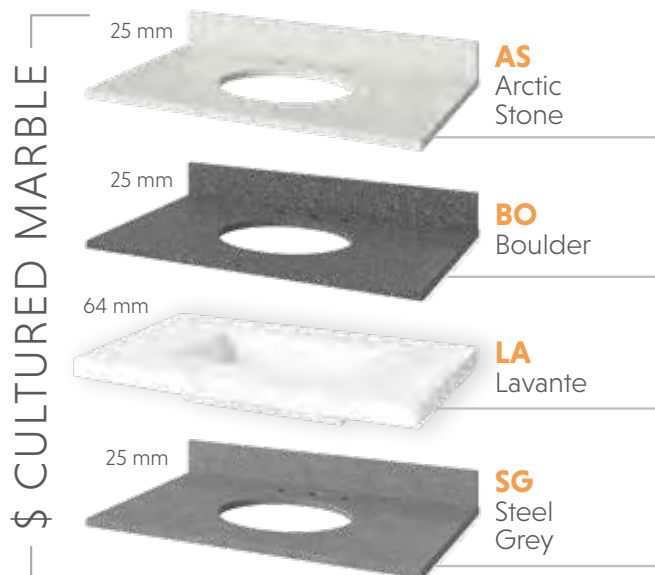
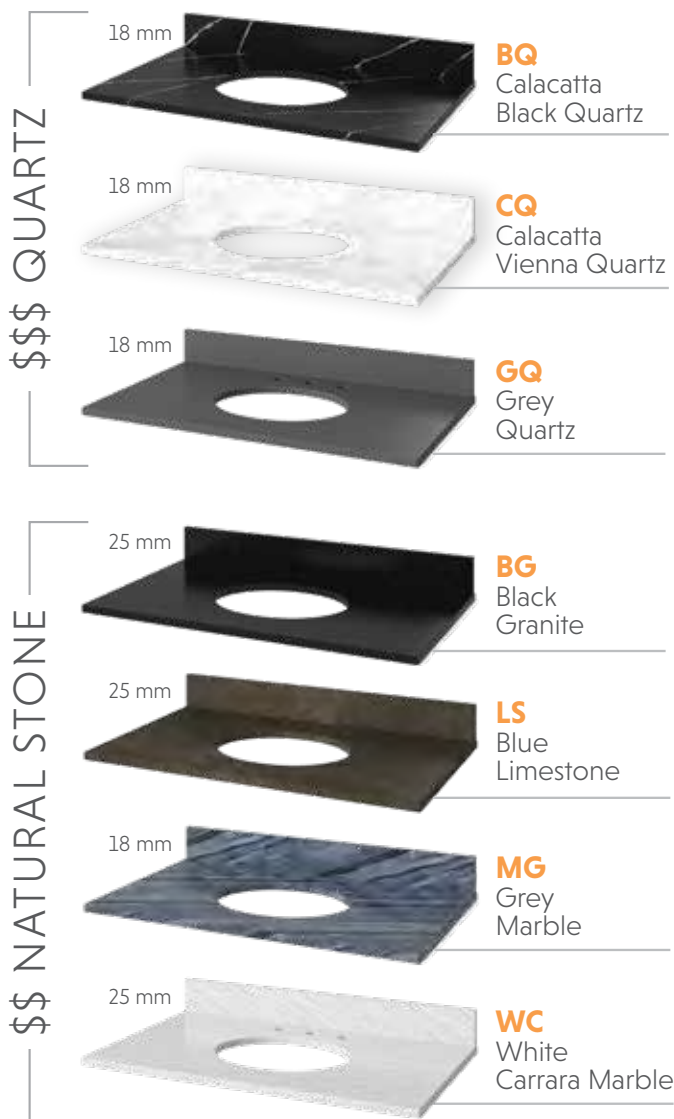
**Clairemont and Compton Vanities**  
These tops are designated with either CLA for the Clairemont tops, or COM for the Compton tops at the end of the top item number  
**Examples: TOPO31WCCLA / TOPR61BGCOM**



**60" Single Bowl** – Used with the 60" single bowl vanity (Chatham collection). "61S" is added to the part number to designate this configuration.  
**Example: TOPO61SBO**



**LA - Lavante** – This top comes with an integrated rectangle bowl and no backsplash. No bowl addition is required. **Example: TOPR37LA**



**Vanity Top Switch Kits**

Jeffrey Alexander top switch kits are available from your sales representative.

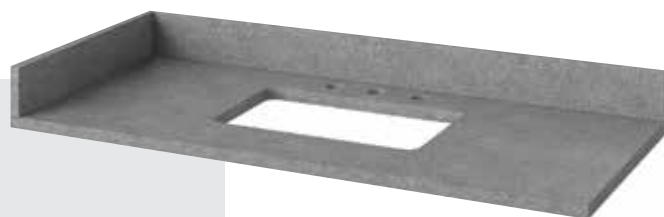
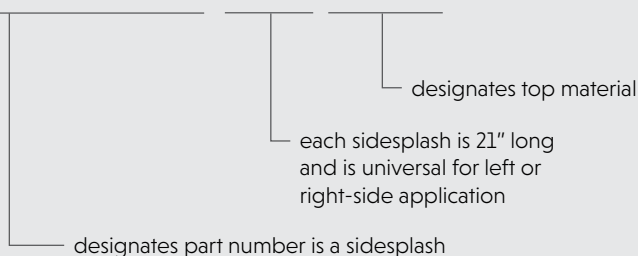
VNTOPSWATCH-KIT

**Now offering sidesplashes!** The sidesplashes are manufactured to be universal and can be used in both left and right configurations. Each piece is 4" tall and will be the same thickness as the matching top material.

**SIDESPLASH PART NUMBER KEY**

**Example (21" Steel Grey Sidesplash):**

**SSPLASH21SG**



To order a sidesplash, simply choose the same material as the vanity top and use the part number key to determine the item number.

# IS IN THE DETAILS

Create the ideal space with the exact textures and beauty that you want. Accentuate your bathroom design by selecting from 11 carefully curated Jeffrey Alexander tops available in an array of colors, veining, and price points.

## QUARTZ



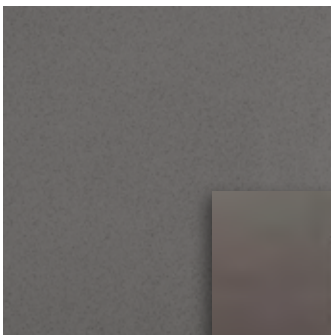
### CALACATTA VIENNA QUARTZ

This quintessential quartz pattern showcases the flow of refined veining throughout a white core. Calacatta Vienna Quartz mimics the movement of natural stone while possessing the strength and durability of quartz.

**Note: The veining thickness ranges from 4 mm to 63 mm and averages between 30 mm and 50 mm thick.**

**Material thickness: 18 mm**

*Example on pages 237, 238, 281, & 283*



### GREY QUARTZ

Classically smooth, warm grey tones are consistent throughout the entire quartz surface. The visual versatility of grey is combined with the durability of quartz to create a vanity top that will pair well with most any vanity base finish.

**Material thickness: 18 mm**

*Example on page 261 & 283*



### CALACATTA BLACK QUARTZ

The intensity of black and white is amplified in this polished Calacatta Black Quartz. Light and dark merge with the strength and durability of quartz to make a bold statement.

**Note: The veining thickness ranges from 4 mm to 63 mm and averages between 30 mm and 50 mm thick.**

**Material thickness: 18 mm**

*Example on pages 239, 276, & 283*

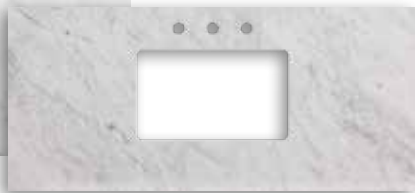


# NATURAL STONE



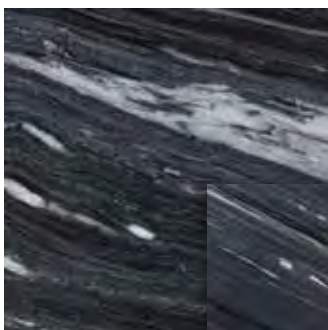
## WHITE CARRARA MARBLE

White Carrara Marble is a timeless natural stone that creates a neutral clean space. Dark grey veining undulates throughout the stone as it weaves its way across the surface.



**Material thickness: 25 mm**

*Example on pages 250, 251, 255, 262, 268, 271, 279, 282, & 283*



## GREY MARBLE

The multitude of natural striations lead your eyes across this gorgeous surface. The grey ranges from deep charcoal to matte white and everything in between.



**Material thickness: 18 mm**

*Example on pages 238, 254, 282, & 283*



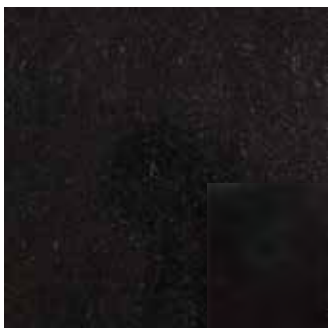
## BLUE LIMESTONE

Blue Limestone exudes personality with the wide array of natural earthy tones that meld together to create a fusion of polished texture. Colors range from soft brown undertones to shale grey flecks.



**Material thickness: 25 mm**

*Example on pages 239, 248, 280, & 283*



## BLACK GRANITE

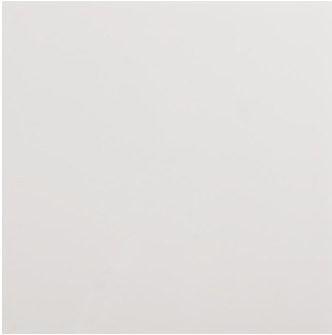
Golden flecks bring out the natural elements of this polished black surface. Granite continues as a trending countertop material and is a great option for bathrooms.



**Material thickness: 25 mm**

*Example on pages 238, 272, 274, 282, & 283*

# CULTURED MARBLE



## **LAVANTE**

The crisp, glossy white vessel top features an integrated rectangular bowl, giving any vanity a sleek, contemporary feel.

**Material thickness: 64 mm**

*Example on pages 240, 281, 282, & 283*



## **ARCTIC STONE**

Soft specks of white and subtle striations of grey create a light and airy alabaster pattern that is incorporated throughout the entire stone.

**Material thickness: 25 mm**

*Example on pages 239, 245, 281, 283, & 301*



## **BOULDER**

Grey mid-tones and flecks of white blend to create a warm, deep grey visual texture that is reminiscent of majestic boulders glistening in the bright sun.

**Material thickness: 25 mm**

*Example on pages 266 & 283*



## **STEEL GREY**

Small bits of white and grey merge into a neutral salt and pepper finish. This neutral grey is spread evenly throughout, creating an ideal surface.

**Material thickness: 25 mm**

*Example on pages 238, 258, 265, & 283*



# BOWL OPTIONS



**VN2-OVAL-15 - Oval Bowl**  
Used on all sizes of tops



**VN2-RECT-16 - Rectangle Bowl**  
Used on 25" tops



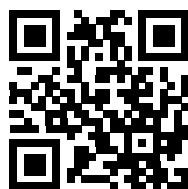
**VN2-RECT-19 - Rectangle Bowl**  
Used on all 31", 37", 49", and 61" tops

In today's bathrooms, our bowls need to hold up against life yet still look sophisticated and elegant. Jeffrey Alexander vanity bowls offer just that in undermount oval and rectangle white porcelain.

### Vanity Bowl Features:

- Designed with a deep bowl (providing more usable space within the bowl) and a built-in overflow drain.
- Made of high quality materials – porcelain is durable, easy to clean, and resistant to corrosion
- UPC Certified – these codes are designed to provide consumers with safe and sanitary plumbing systems. Unless otherwise specified, all porcelain sinks are UPC Certified

The bowl and top assembly process has been simplified by adding pre-installed anchor nuts to the tops. Detailed, full assembly instructions are included with each vanity top to help ensure the most efficient and effective method of assembly. Mounting kits are included with each porcelain bowl.



### TOP & BOWL INSTALLATION

Tops do not come with the bowl preinstalled. Installation instructions can be downloaded by scanning the QR code or visiting:  
<https://delivr.com/2cyp4>

# MIRRORS

The power of selection extends to choosing a mirror that coordinates with your style. Choose from our suggestions, or mix it up!

## MIRROR PART NUMBER KEY

Example (22" White Cade Mirror):

**MIR2CAD-22-WH**

— designates the mirror finish  
 — designates the width of the mirror in inches  
 — designates the primary coordinating vanity collection  
 — designates 2nd generation vanity mirror

### ADLER & ADDINGTON



**MIR2ADL-24-GR**  
Size: 24" x 28"

Available Finishes:



### ASTORIA



**MIR2AST-22-ES**  
Size: 22" x 34"



**MIR2AST-28-WH**  
Size: 28" x 34"

Available Finishes:



### CADE & WAVECREST



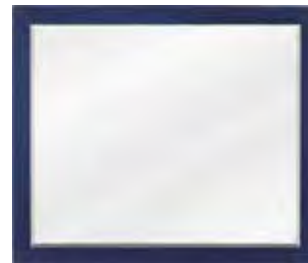
**MIR2CAD-16-GR**  
Size: 16" x 28"



**MIR2CAD-22-WH**  
Size: 22" x 28"

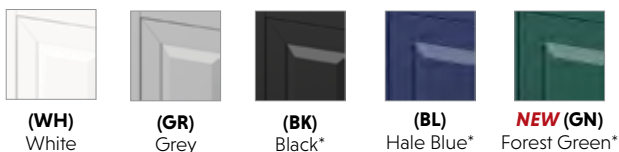


**MIR2CAD-24-BK**  
Size: 24" x 28"



**MIR2CAD-33-BL**  
Size: 33" x 28"

Available Finishes:



\*Sizes 22", 24" & 33" only

CHATHAM & SAVINO



**MIR2CHA-22-GR**  
Size: 22" x 34"



**MIR2CHA-28-WH**  
Size: 28" x 34"



**MIR2CHA-40-BL**  
Size: 40" x 34"

Available Finishes:



**(WH)**  
White



**(GR)**  
Grey



**(CH)**  
Chocolate



**(BL)**  
Hale Blue



**NEW (GN)**  
Forest Green\*

\*Size 28" only

CLAIREMONT



**MIR2CLA-24-NU**  
Size: 23-3/4" x 31-1/2"

Available Finishes:



**(NU)**  
Nutmeg

This collection is being retired. Check availability online or call for more information.

COMPTON



**MIR2COM-22-WH**  
Size: 22" x 30"



**MIR2COM-26-WA**  
Size: 26" x 36"



**MIR2COM-44-WH**  
Size: 44" x 34"

Available Finishes:



**(WH)**  
White



**(WA)**  
Walnut

This collection is being retired. Check availability online or call for more information.

DOUGLAS



**MIR2DOU-20-BL**  
Size: 20" x 24"



**MIR2DOU-42-WH**  
Size: 42" x 28"

Available Finishes:



**(WH)**  
White



**(BK)**  
Black



**(BL)**  
Hale Blue



**NEW (GN)**  
Forest Green\*

\*Size 42" only

JENSEN



**MIR2JEN-22-GR**  
Size: 22" x 24"

Available Finishes:



**(WH)**  
White



**(GR)**  
Grey



**(BK)**  
Black



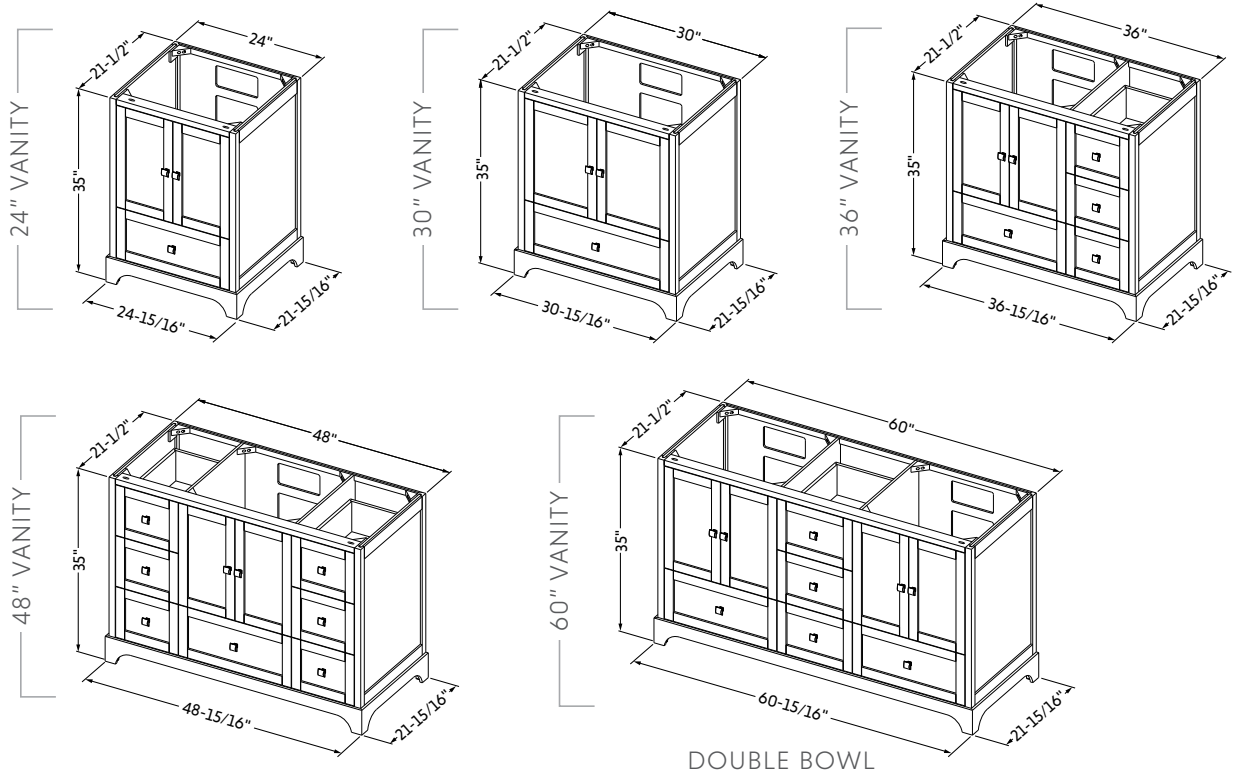
**(BL)**  
Hale Blue



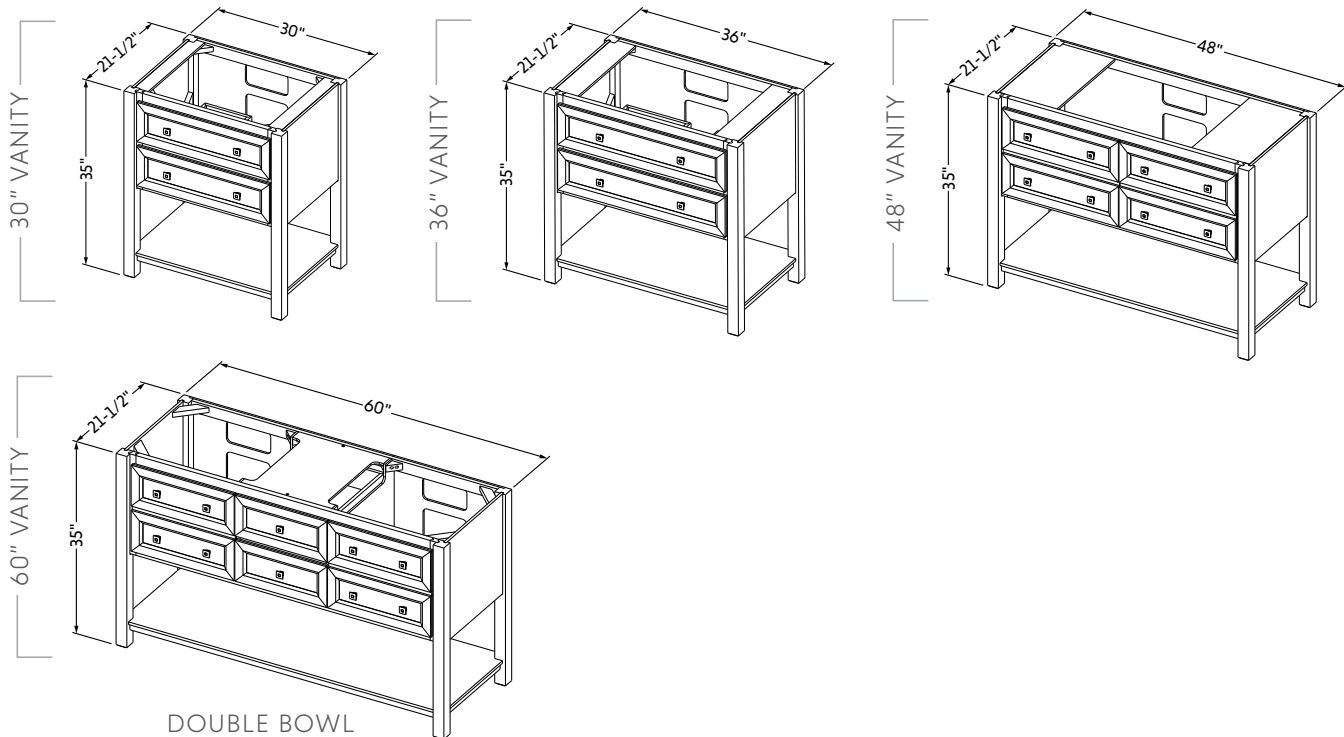
**NEW (GN)**  
Forest Green

This collection is being retired. Check availability online or call for more information.

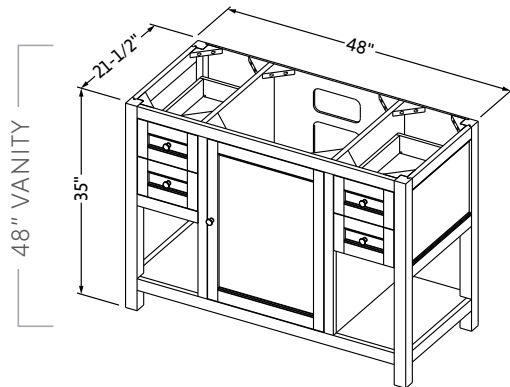
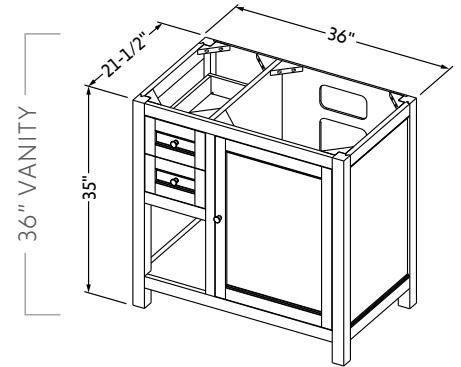
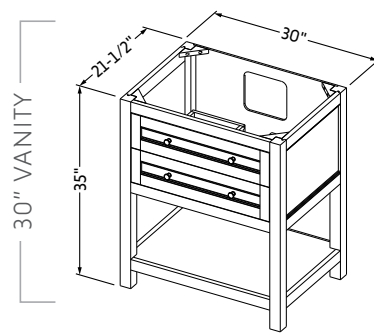
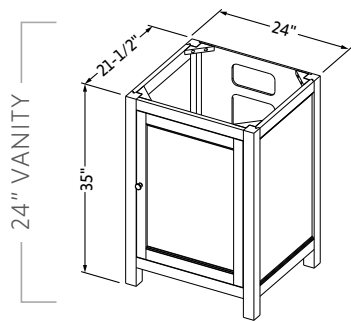
# VANITY SPECIFICATIONS - ADDINGTON



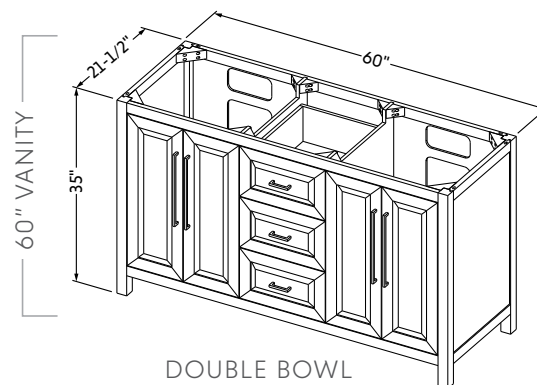
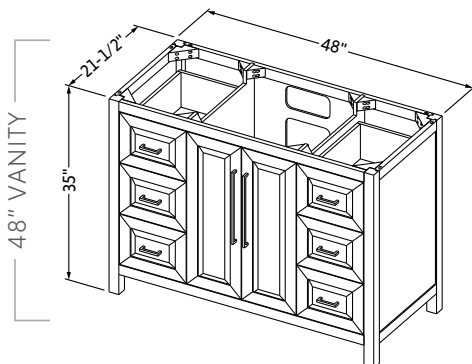
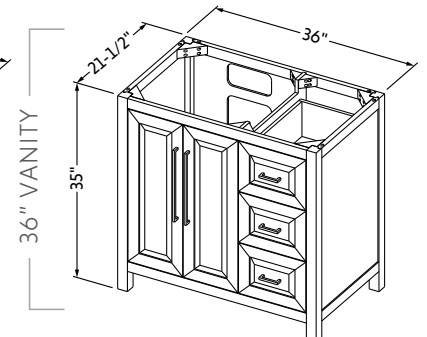
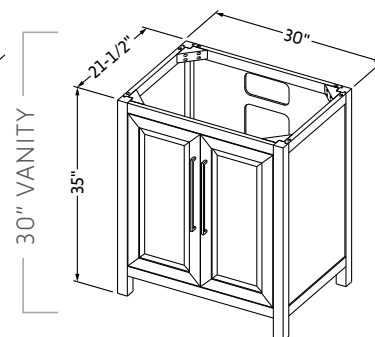
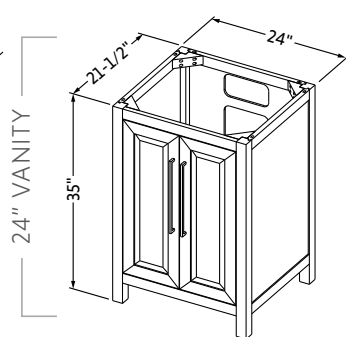
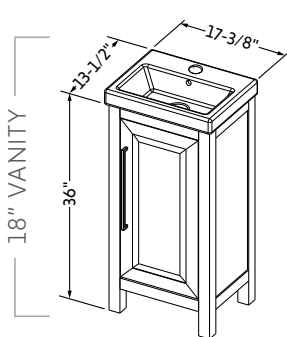
# VANITY SPECIFICATIONS - ADLER



# VANITY SPECIFICATIONS - ASTORIA

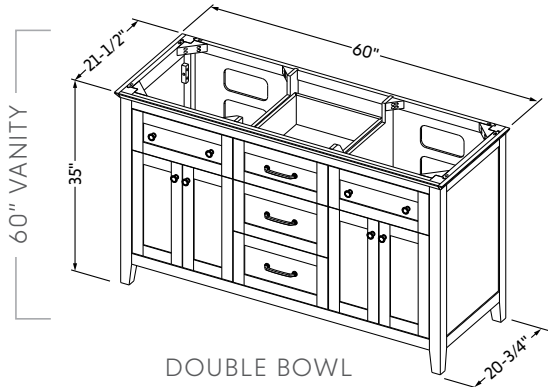
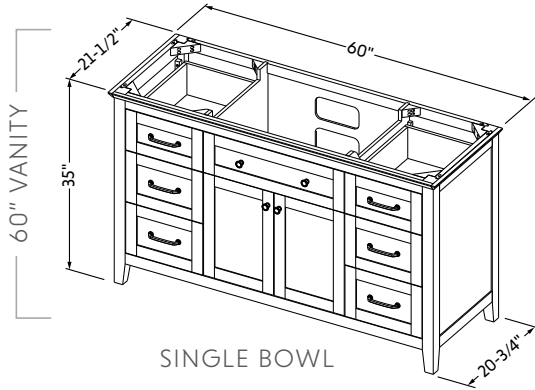
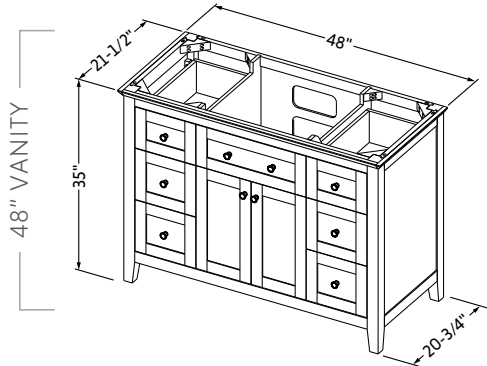
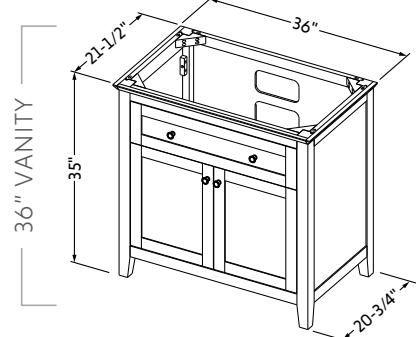
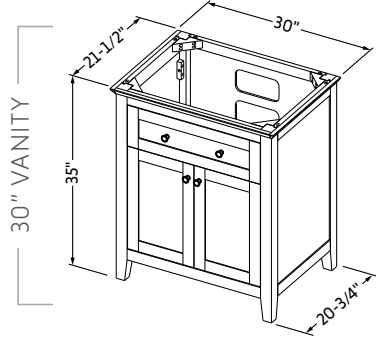
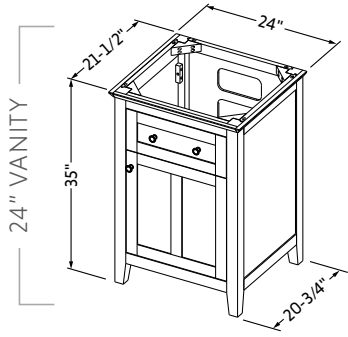


# VANITY SPECIFICATIONS - CADE

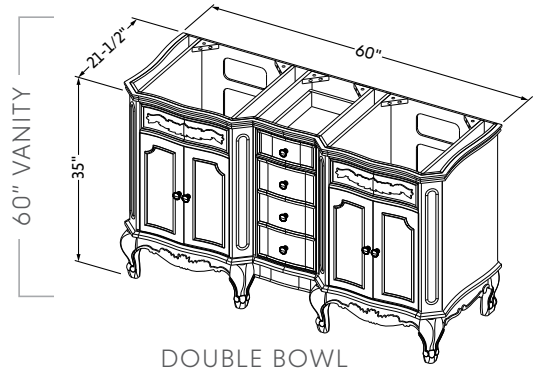
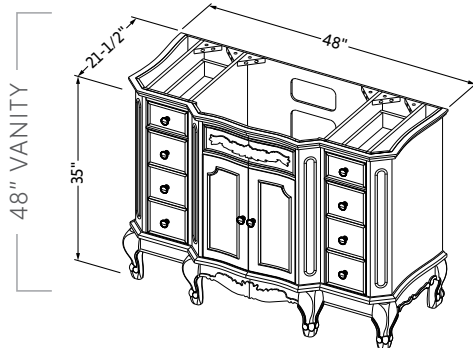
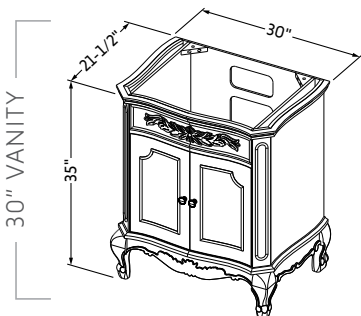


DOUBLE BOWL

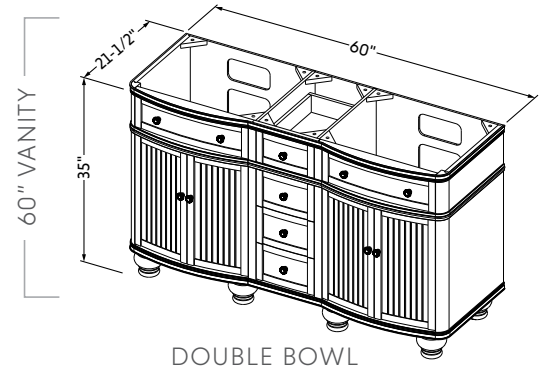
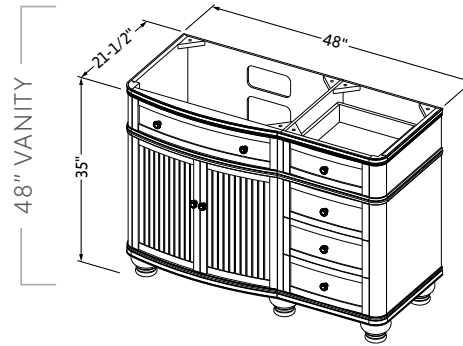
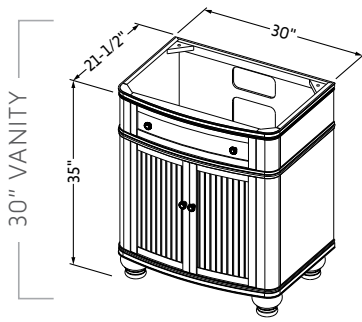
# VANITY SPECIFICATIONS - CHATHAM



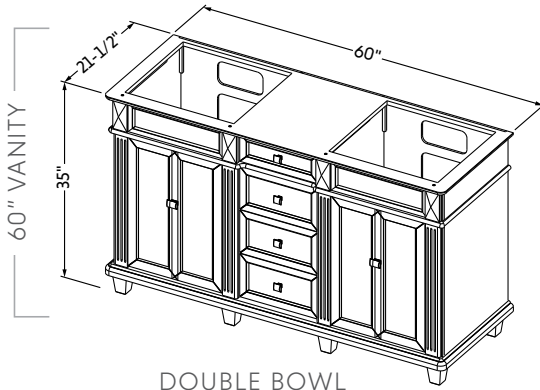
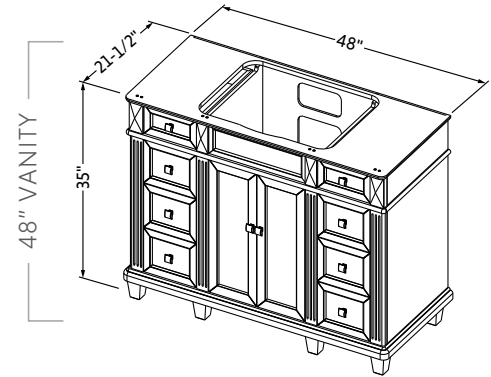
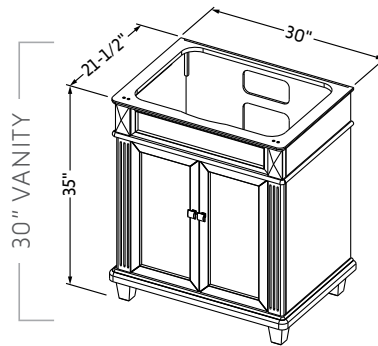
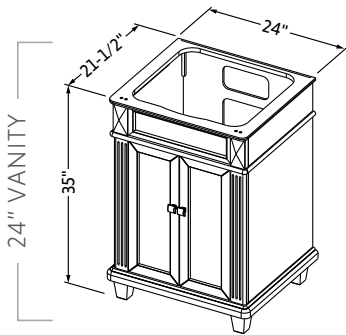
# VANITY SPECIFICATIONS - CLAIREMONT



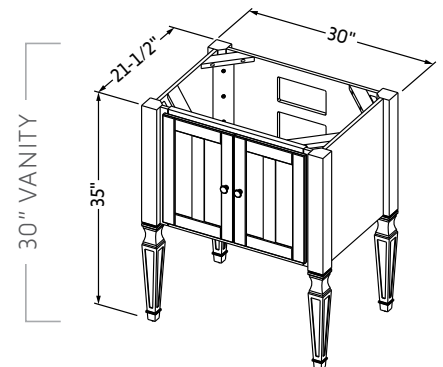
# VANITY SPECIFICATIONS - COMPTON



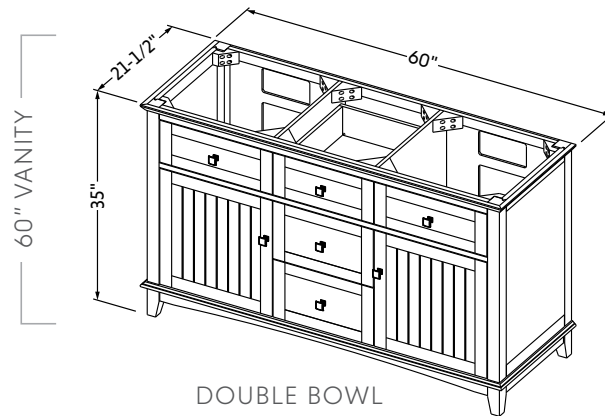
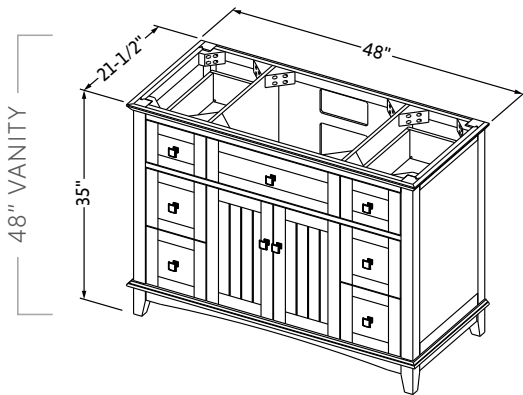
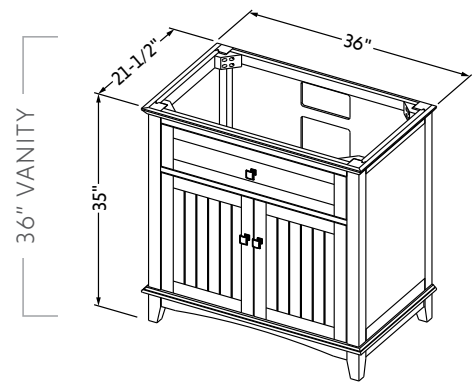
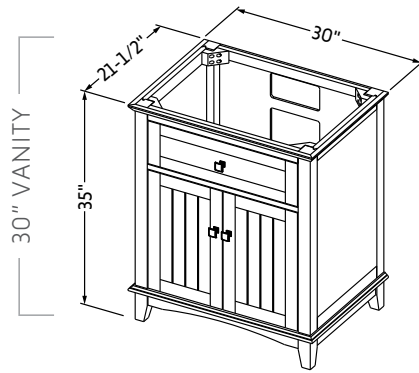
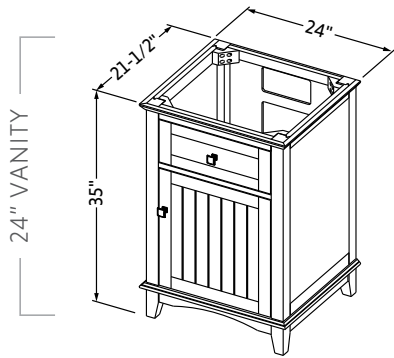
# VANITY SPECIFICATIONS - DOUGLAS



# VANITY SPECIFICATIONS JENSEN

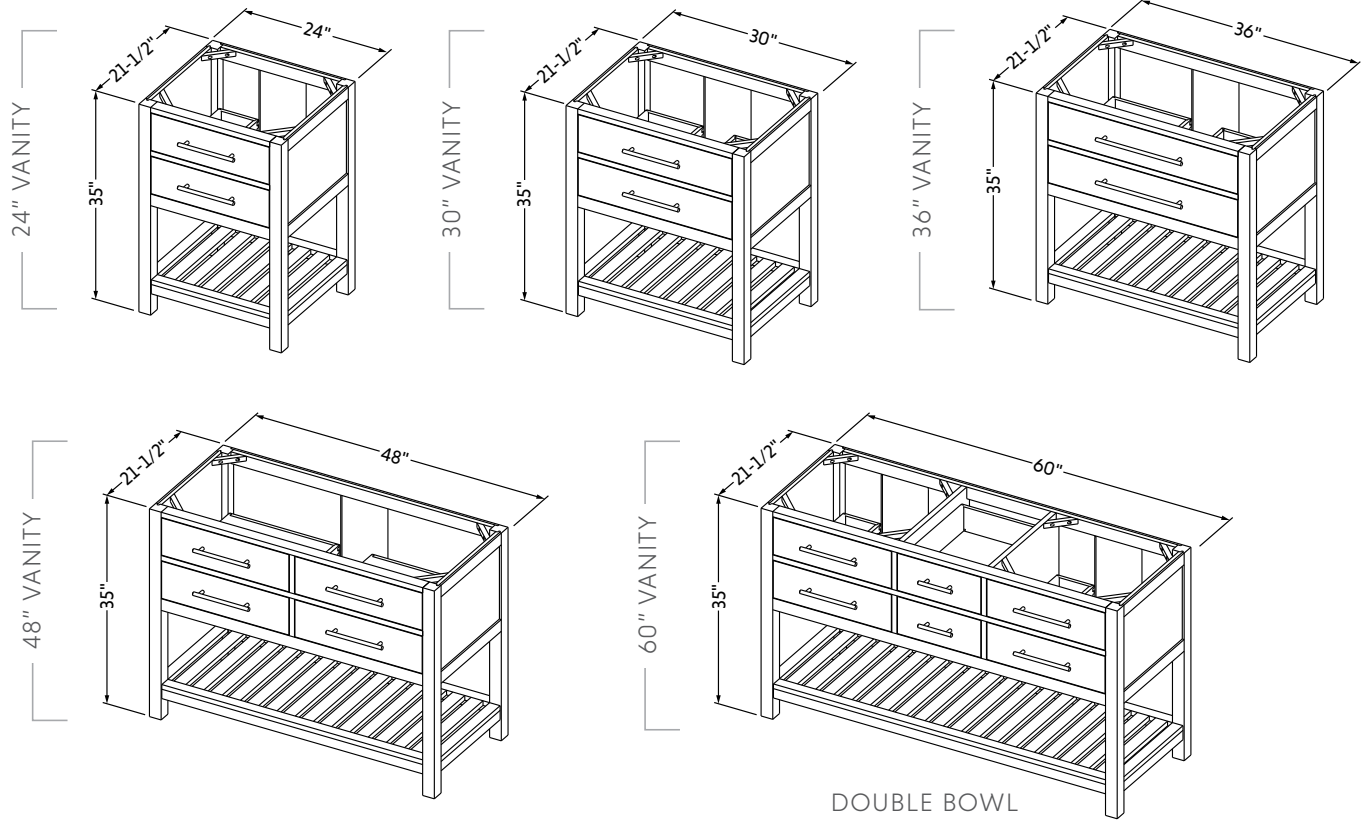


# VANITY SPECIFICATIONS - SAVINO



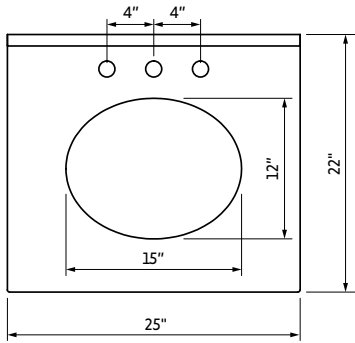


# VANITY SPECIFICATIONS - WAVECREST

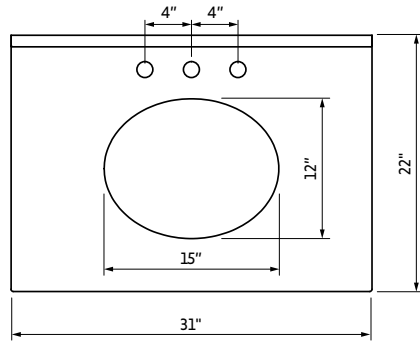


# TOP SPECIFICATIONS - OVAL BOWL

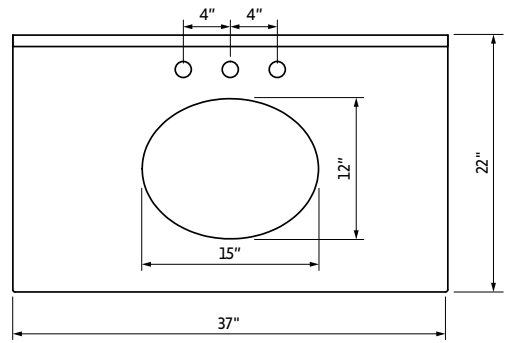
The below vanity tops with oval cutouts fit all of the vanity collections (except Clairemont & Compton).  
Special top configurations are marked with asterisks. xx = top material placeholder



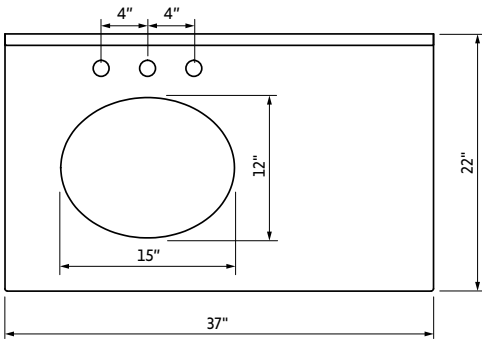
**TOPO25xx**



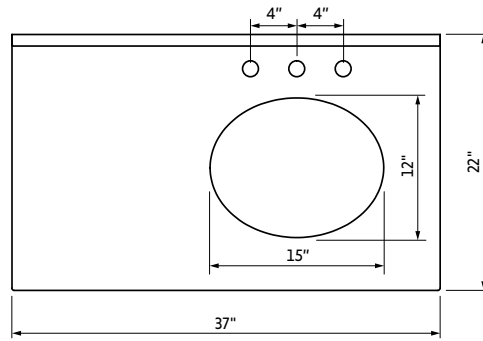
**TOPO31xx**



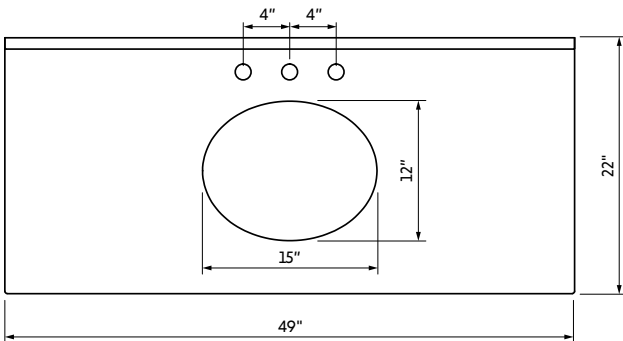
**TOPO37xx**



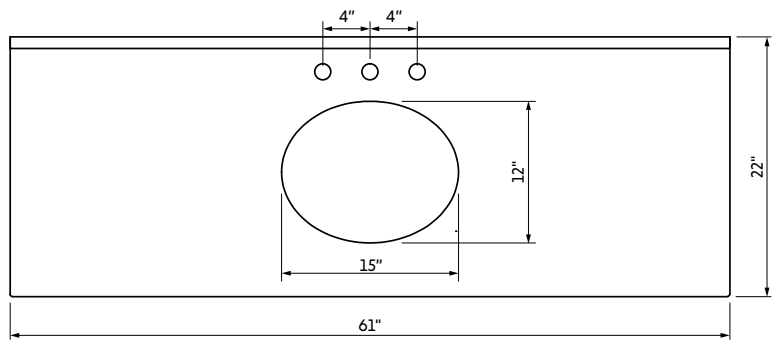
**TOPO37xxCAD-ADD\***



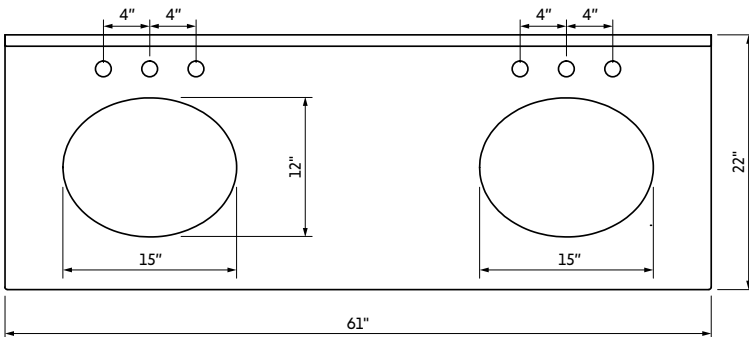
**TOPO37xxAST\*\***



**TOPO49xx**



**TOPO61Sxx\*\*\***

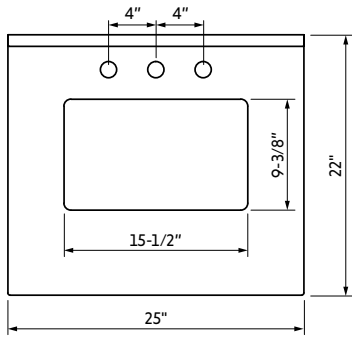


**TOPO61xx**

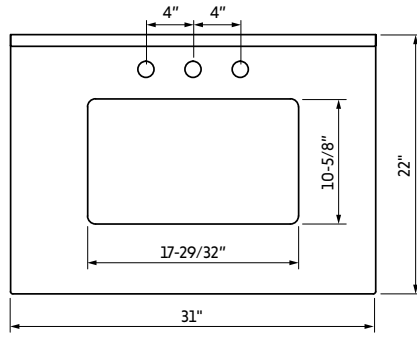
\*Fits the 36" Cade and Addington vanities only. \*\*Fits the 36" Astoria vanity only. \*\*\*Fits the 60" single bowl vanity only.

# TOP SPECIFICATIONS - RECTANGLE BOWL

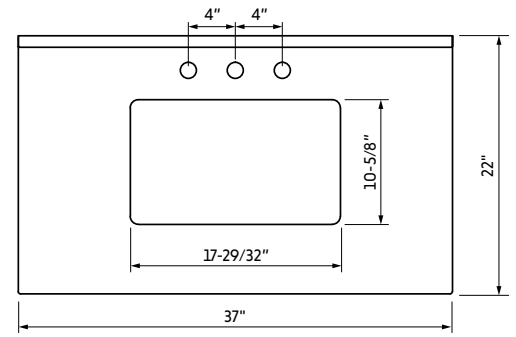
The below vanity tops with rectangle cutouts fit all of the vanity collections (except Clairemont & Compton). Special top configurations are marked with asterisks. xx = top material placeholder



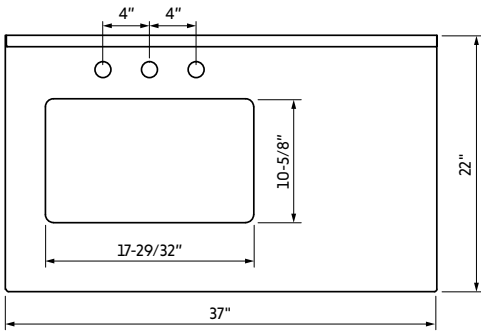
TOPR25xx



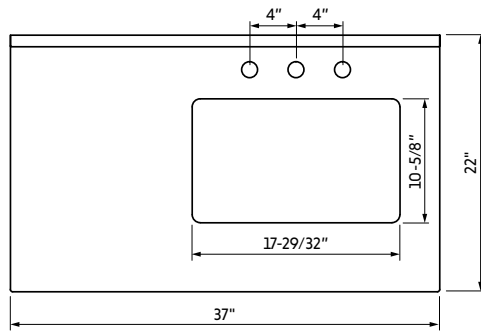
TOPR31xx



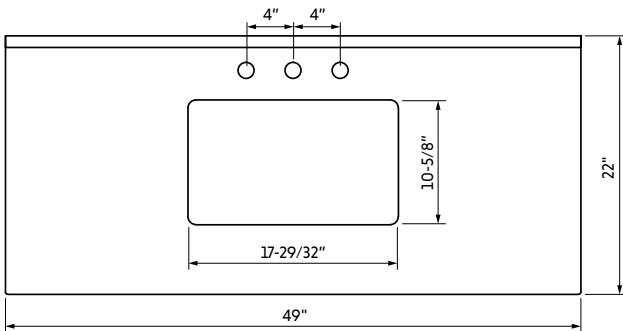
TOPR37xx



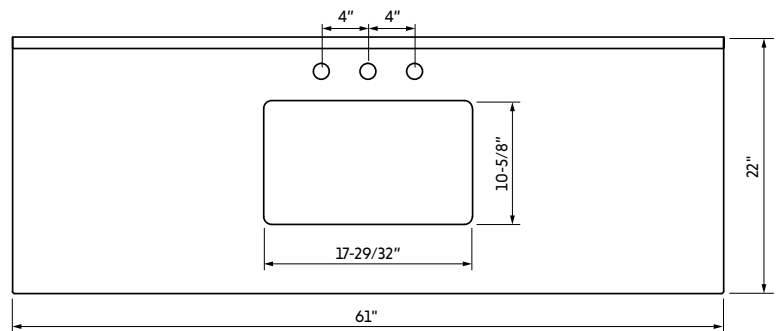
TOPR37xxCAD-ADD\*



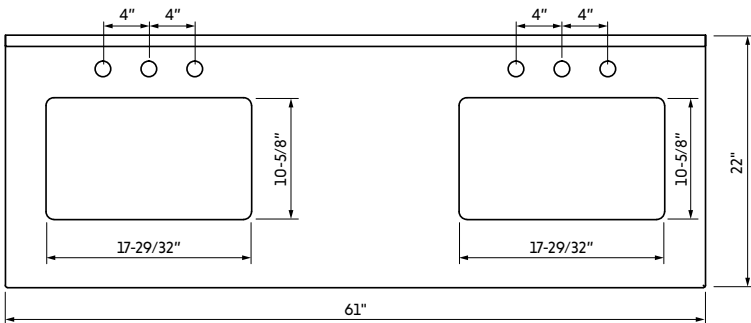
TOPR37xxAST\*\*



TOPR49xx



TOPR61Sxx\*\*\*



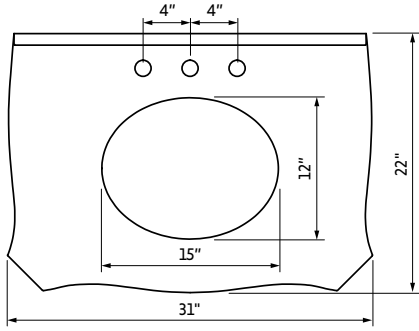
TOPR61xx

\*Fits the 36" Cade and Addington vanities only. \*\*Fits the 36" Astoria vanity only. \*\*\*Fits the 60" single bowl vanity only.

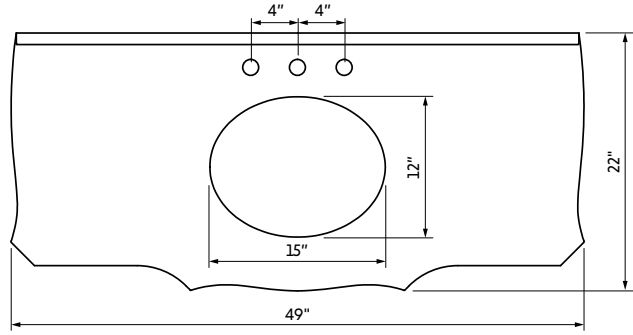
# TOP SPECIFICATIONS - OVAL BOWL

The below vanity tops with oval cutouts fit the Clairemont and Compton collections which have custom-shaped tops.  
xx = top material placeholder

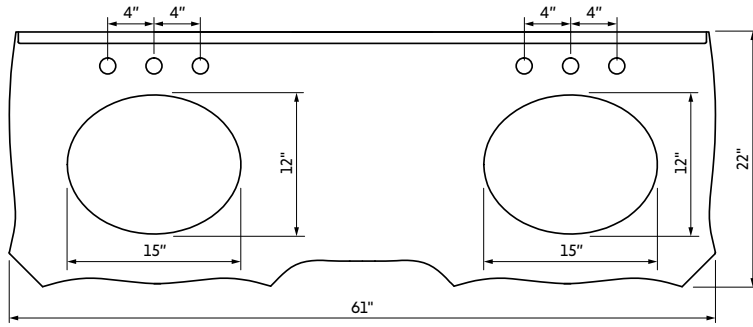
CLAIREMONT



TOPO31xxCLA

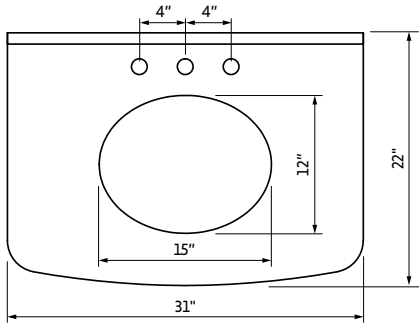


TOPO49xxCLA

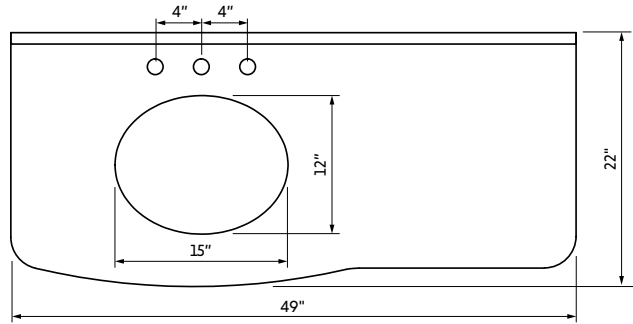


TOPO61xxCLA

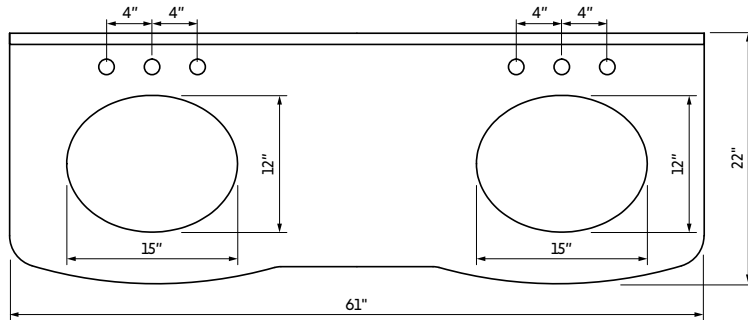
COMPTON



TOPO31xxCOM



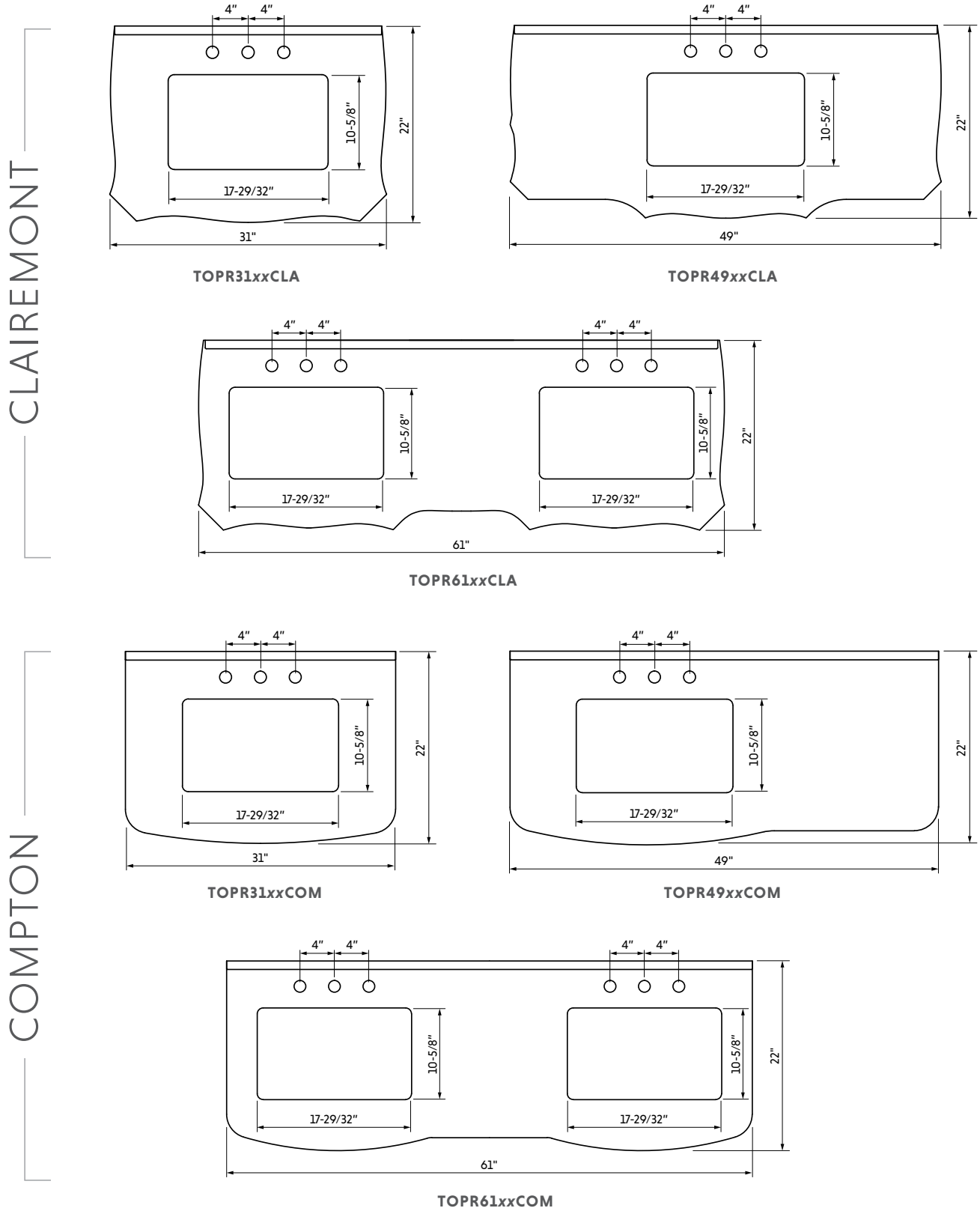
TOPO49xxCOM



TOPO61xxCOM

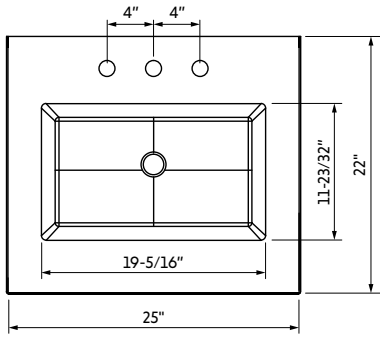
# TOP SPECIFICATIONS - RECTANGLE BOWL

The below vanity tops with rectangle cutouts fit the Clairemont and Compton collections which have custom-shaped tops.  
xx = top material placeholder

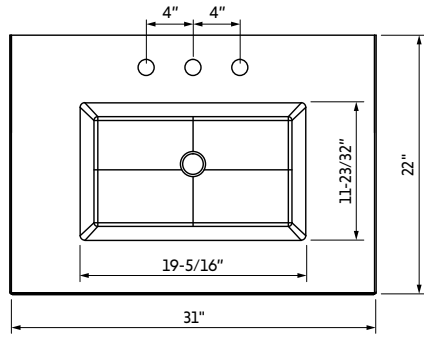


# TOP SPECIFICATIONS - LAVANTE

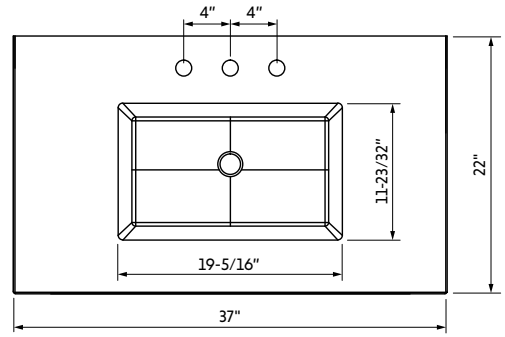
The below vanity tops with integrated rectangle bowl fit all of the vanity collections (except Clairemont & Compton).  
Special top configurations are marked with asterisks.



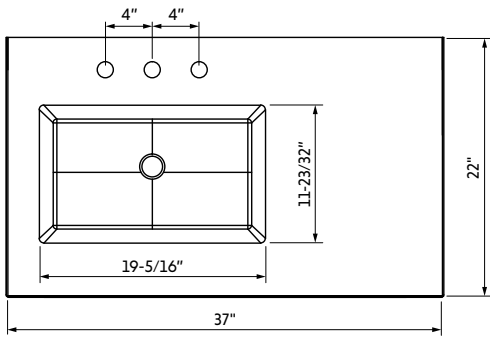
**TOPR25LA**



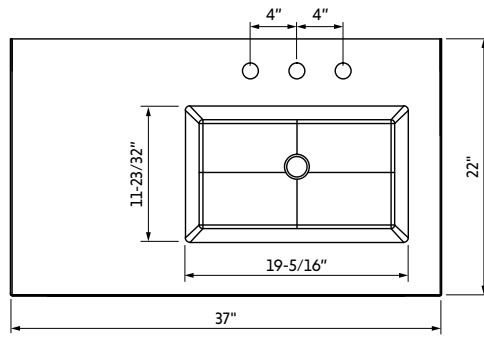
**TOPR31LA**



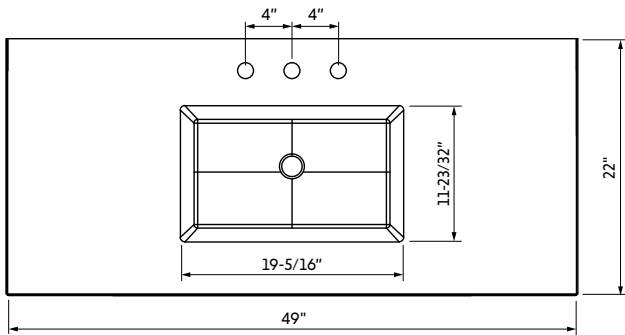
**TOPR37LA**



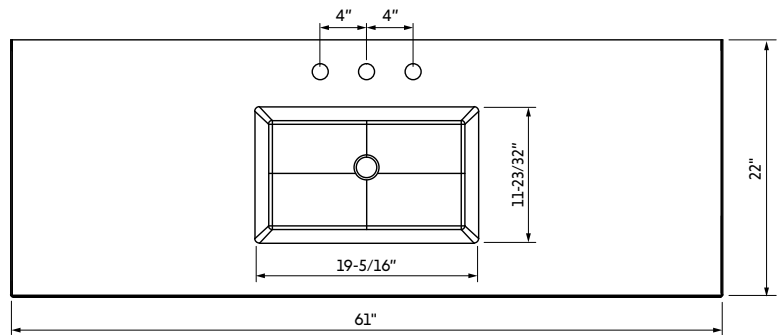
**TOPR37LACAD-ADD\***



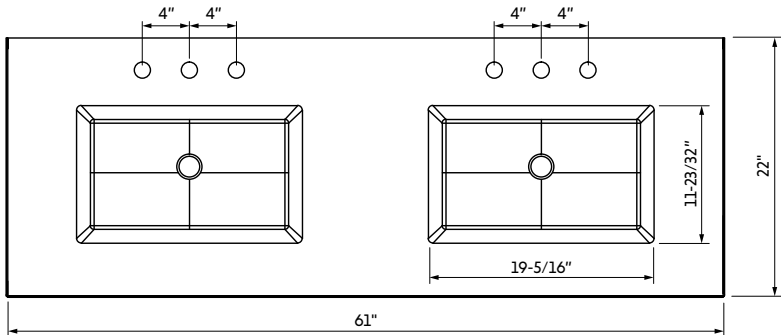
**TOPR37LAAST\*\***



**TOPR49LA**



**TOPR61SLA\*\*\***



**TOPR61LA**

\*Fits the 36" Cade and Addington vanities only. \*\*Fits the 36" Astoria vanity only. \*\*\*Fits the 60" single bowl vanity only.



**Cade Collection**  
Vanity: VN2CAD-48-BK-NT | Top: TOPR49AS  
Bowl: VN2-RECT-19 | Mirror: MIR2CAD-33-BK

## Vanity Top Care Information

Simple care and maintenance will keep your vanity top looking beautiful for generations to come. Wiping off accumulated water will prevent mineral buildup (a whitish, dull residue on the stone), especially around the faucet holes and the bowl.

### Top Care for Natural Stone

All natural stone tops are pre-sealed, however we strongly recommend the consumer apply a resin-based penetrating sealer at least every six (6) months. All natural stone is porous, and sealing fills the pores to help prevent staining liquids from penetrating. However, daily care is necessary to maintain the high quality of the stone.

Below are a few helpful care instructions for maintaining your vanity top, whether it is natural stone, engineered or cultured marble, or quartz.

### Care Instructions

- Do clean surfaces with mild detergent or stone soap
- Do thoroughly rinse and dry the surface after washing
- Do blot up spills immediately
- Don't use vinegar, lemon juice or other cleaners containing acids on natural stone
- Don't use any oily product on natural stone
- Don't place hot items directly on the stone surface
- Don't place china, ceramics, silver or other abrasive objects directly on the surface as they can scratch the stone
- Don't use cleaners that contain acid such as bathroom cleaners, grout cleaners, or tub and tile cleaners
- Don't use abrasive cleaners such as dry cleansers or soft cleansers
- Don't mix bleach and ammonia; this combination creates a toxic and lethal gas
- Don't use water that exceeds temperatures of 140°F/46°C

## Vanity Base and Mirror Frame Care

Before using a cleaner, read the directions on the cleaner bottle to find out whether the cleaner is safe for wood, as well as if you should put the cleaner straight on the item or if it needs to be diluted with water. Use a clean, dry cloth to wipe off the surface of your bathroom vanity or mirror frame before applying a cleaner; this will get rid of hair, dust and other loose powders before you apply the cleaner. Use a cloth or soft sponge while cleaning the vanity or mirror frame to not scratch the finish. After you have applied the cleaner, be sure you rinse off your vanity or mirror frame and dry the surface with a dry towel.

## Mirror Care

Use a glass cleaner or vinegar and water mixture. Apply the mixture on the glass and wipe dry with a dry paper towel or lint-free cloth.



## Vanities, Mirrors, Vanity Tops, and Bowls

Hardware Resources believes in quality, integrity, and reliability. We uphold the highest standards of service and responsibility in the industry.

As such, Hardware Resources warrants all vanities, mirrors, vanity tops, bowls, and their components to be free from any defects in material and workmanship as long as the original consumer/purchaser owns the products and if the original consumer purchased the products from an authorized distributor of Hardware Resources. Hardware Resources cannot guarantee the quality or condition of products from distributors who do not agree to meet our high standards, and therefore, no warranty is provided for products from unauthorized sellers.

If a defect is found, Hardware Resources will send to the original purchaser a new replacement product or component at no charge. If a replacement is no longer available, Hardware Resources will offer a product that is comparable to the original product's purchased price or will refund to the original purchaser the current wholesale value of the defective product or component. This warranty is a warranty of replacement only. Hardware Resources specifically does not warrant removal of the product nor installation of replacement new product.

This warranty does not apply when the item has been tampered with, misused, improperly installed, altered from the original design, or damaged through abuse or accident. Finishes for all vanities and mirrors are multi-layered, therefore, variations may occur, which add to the uniqueness of each item.

Natural stone countertops possess naturally occurring characteristics such as variations in grain and color as well as mineral streaks and deposits and are not considered a defect in the product. Cultured marble and quartz countertops are manufactured to resemble natural stone patterns, and as a result, variations in grain and color are not considered a defect in the product. Exact shading or grain of the vanity top cannot be guaranteed.

In the unlikely event that a defective vanity, mirror, vanity top, or component is encountered, please contact Customer Service at 800.463.0660. Please be able to provide a brief description and photographs of the defect.

# Kitchen Islands



# Kitchen Islands

## ***Installs easily in an existing kitchen***

Complements existing kitchen cabinetry. No wiring or plumbing required; place island directly on existing flooring or carpet.

## ***Options for tops***

Butcher block tops are available and sold separately for all islands. Edge grain tops are made in the USA using FDA approved food-safe materials providing a safe work surface for food preparation. Islands can be purchased without tops, so that a custom granite or marble top can be added.



## ***Solid furniture style construction***

High quality wood materials and furniture style construction. All materials used in Jeffrey Alexander islands meet the strict CARB2 certifications.

## ***Full extension soft-close slides***

Each island features upgraded slides. Full extension slides bring the drawer all the way out. Soft-close motion quietly soft-closes the drawers on most models. Hidden undermount slides provide a clean look to drawers (ISL07 and ISL12 units).



## ***Dovetail drawer boxes***

1/2" thick solid hardwood material and dovetail joints make a box strong enough to hold anything from dish towels to small kitchen appliances. Drawer box and slides have a 100 lb dynamic load rating.

## ***Rich finishes***

Multi-layer hand finishing process creates colors designed to coordinate and contrast with popular kitchen cabinet finishes.



## **Kitchen Islands**

### ***Jeffrey Alexander***

Tuscan .....	ISL01.....	306-307
Contemporary.....	ISL07.....	308-309
Loft .....	ISL12.....	310-311

# Tuscan Island



Scan to view info sheet  
<http://delivr.com/293g4>

# Tuscan Island

This furniture style island is manufactured using the highest quality furniture grade wood materials. The island features fully adjustable display shelves on one side and three working drawers and cabinets on reverse. Cabinets have one adjustable shelf. The drawers are dovetailed solid hardwood and are mounted on full extension ball bearing slides. Available in five finishes.

- The included decorative hardware can be found in the Jeffrey Alexander Glenmore Collection (item # 618, 718)
- Coordinating wood posts can be found in the Hardware Resources collection (item # P13)
- Finishes are applied by hand
- All materials used meet California CARB2 requirements
- Tops sold separately

**ISL01-AQU** (Aqua Green)

**ISL01-AWH** (Antique White)

**ISL01-GRY** (Grey)

**ISL01-DBK** (Distressed Black)

**ISL01-RED** (Brilliant Red)

- Island base only
- 52 5/8" L x 32 3/8" W x 35 1/4" H

**ISL01-TOP**

- 1 3/4" hard maple edge grain butcher block
- Food safe glues & finishing materials
- 54" L x 34" W
- Made in the USA



Aqua Green



Antique White



Distressed Black



Brilliant Red



Grey



all finishes available without top (sold separately)



front side open



reverse side

# Contemporary Island



Scan to view info sheet  
<http://delivr.com/2ay66>

# Contemporary Island

This furniture style island is manufactured using the highest quality furniture grade wood materials. The island features three working drawers and cabinet storage on both sides and fully adjustable open shelves on one side. Cabinet doors feature modern textured clear glass inserts. The drawers are dovetailed solid hardwood and are mounted on full extension soft-close undermount slides. Available in Black.

- The included decorative hardware can be found in the Jeffrey Alexander Delgado collection (item # 519-128)
- Coordinating posts are available from Hardware Resources (item # P32)
- Finishes are applied by hand
- All materials used meet California CARB2 requirements
- Top sold separately

## ISL07-BLK (Black)

- Island base only
- 52 ½" L x 32 ½" W x 35 ½" H

## ISL01-TOP

- 1 ¾" hard maple edge grain butcher block
- Food safe glues & finishing materials
- 54" L x 34" W
- Made in the USA



front side



front side open



reverse side



reverse side open



available without top  
(sold separately)

# Loft Island



Scan to view info sheet  
<http://delivr.com/25wu8>



# Loft Island

This furniture style island is manufactured using the highest quality furniture grade wood materials. The island features two working drawers and an open cabinet with adjustable shelf on one side and a decorative panel on the reverse side with fully adjustable shelves on both ends. The drawers are dovetailed solid hardwood and are mounted on full extension undermount soft-close slides. Cabinet features integrated soft-close hinges. Available in Aged Black or French White finish.

- The included decorative hardware can be found in the Jeffrey Alexander Sonoma Collection (item # 431)
- Coordinating wood posts can be found in the Hardware Resources collection (item # P34)
- Finishes are applied by hand
- All materials used meet California CARB2 requirements
- Top sold separately



Aged Black



reverse side



French White



reverse side

**ISL12-AGB** (Aged Black)

**ISL12-FWH** (French White)

- Island base only
- 34" L x 22"W x 34 1/4"H

**ISL10-TOP**

- 1 3/4" hard maple edge grain butcher block
- Food safe glues & finishing materials
- 36" L x 24"W
- Made in the USA



all finishes available without top (sold separately)



front side open

## Island Base Care

Before using a cleaner, read the directions on the cleaner bottle to find out whether the cleaner is safe for wood, as well as if you should put the cleaner straight on the item or if it needs to be diluted with water. Use a clean, dry cloth to wipe off the surface of your bathroom vanity or mirror frame before applying a cleaner; this will get rid of hair, dust and other loose powders before you apply the cleaner. Use a cloth or soft sponge while cleaning the vanity or mirror frame to not scratch the finish. After you have applied the cleaner, be sure you rinse off your vanity or mirror frame and dry the surface with a dry towel.

## Butcher Block Top Care

Simple care and maintenance will keep your butcher block top looking beautiful for generations to come. All Butcher Block products must be oiled on all surfaces with a natural mineral oil at least once a month to protect the wood. With a minimum amount of care and maintenance on your Hard Maple Butcher Block, you can lengthen the life of the top from 5 to 10 years.

### DO:

Periodically (once every several weeks), depending upon use and household conditions, apply a heavy coat of mineral oil to the work surface of your top.

### DO NOT:

1. Wash knives and forks or other utensils on the work surface of your top.
2. Wash your top with harsh detergents of any type.
3. Place counter tops near excessive heat (such as stove) without proper insulation between heat source and the edge of the counter top.
4. Cut off ends, drill holes, make cutouts or otherwise deface tops...without refinishing exposed unfinished wood. Guarantee is void if tops are modified.

### Cleaning your Butcher Block top:

1. Brush or scrape all loose particles from the surfaces.
2. Take a dishcloth and dip in warm mild soapy water and wash top the same as any other wood surface.
3. Wash out dishcloth in clear warm water, wring out, and go over surface again.
4. Dry all surfaces thoroughly.
5. An occasional application of mineral oil is recommended.

***If any method, other than the one outlined above, is used in cleaning this top, very serious damage may result.***

### Other considerations:

Extremes of humidity and dryness can swell and shrink hard maple enough to cause small seasonal checks to appear, usually at the ends of tops or at the end of a lamination. This possibility, though remote, is an unavoidable condition of enjoying the character and beauty of Hard Maple Butcher Block. Cracks filled with tinted cellulose filler become practically invisible. You can help preserve your table by keeping your home humidified in the winter and by refreshing your table often with oil.

Hardware Resources may at its own discretion and without notice change the specifications, color, or design of any product in our catalog as well as discontinue any product in our range. **Measurements shown in this catalog have a tolerance of +/- 1/8".**

Hardware Resources believes in quality, integrity, and reliability. We uphold the highest standards of service and responsibility in the industry.

As such, Hardware Resources warrants all islands, butcher block tops, and their components to be free from any defects in material and workmanship as long as the original consumer purchaser owns the products and if the original consumer purchased the products from an authorized distributor of Hardware Resources.

Hardware Resources cannot guarantee the quality or condition of products from distributors who do not agree to meet our high standards, and therefore, no warranty is provided for products from unauthorized sellers.

If a defect is found, Hardware Resources will send to the original purchaser a new replacement product or component at no charge. If a replacement is no longer available, Hardware Resources will offer a product that is comparable to the original product's purchased price or will refund to the original purchaser the current wholesale value of the defective product or component. This warranty is a warranty of replacement only. Hardware Resources specifically does not warrant removal of the product nor installation of replacement new product.

This warranty does not apply when the item has been tampered with, misused, improperly installed, altered from the original design, or damaged through abuse or accident. Finishes for all vanities, mirrors, and islands are multi-layered, therefore, variations may occur, which add to the uniqueness of each item.

Butcher Block tops are manufactured of natural wood, and Hardware Resources cannot guarantee exact shading or grain of the wood. Naturally occurring characteristics such as variations in grain and/or color are not considered a defect in the product.

In the unlikely event that a defective island, butcher block top, or component is encountered, please contact Customer Service at 800.463.0660. Please be able to provide a brief description and photographs of the defect.



# Organizers

## Cabinet Organizers

Storage with Style®	
Blind Corner Pullout <b>NEW</b>	330-331
Utensil Base Pullout <b>NEW</b>	332
Drawer Base Pullout	333
Base Pullout	334
Pot & Pan Organizer	335
Trash Can Pullout	336-337
Pullout Baskets	338-339
Waste Container Organization	
Wood Bottom Mount with Door Kit	342
Wood Bottom Mount	344
Metal Drawer Box Pullout <b>NEW</b>	345
Economy Soft-close Pullout <b>NEW</b>	346-347
Storage with Style® Trash Can Pullout	348-249
Wood Top Mount with Soft-close	350-351
Cans & Lids	352
Wire Bottom Mount	353
Base Cabinet Organization	
"No Wiggle" Pullout	357
"No Wiggle" Knife Block Pullout <b>NEW</b>	359
"No Wiggle" Utensil Pullout	360
"No Wiggle" Drawer Base Pullout	361
"No Wiggle" Tray Divider Pullout	362
"No Wiggle" Base Filler Pullouts	363
Peg Board Filler Pullout	364
Appliance Lift	365
Easy-to-Install Rollout Drawers	366-367
Build Your Own Rollouts	368
Quick Tray Pilaster System	369
Slide Mounting Kit for Ball Bearing Slides	370
Rear Mounting Bracket for undermount Slides	371
Dovetail Drawer Boxes & Linear Material	372-373
Bathroom Organization	
"No Wiggle" Vanity Pullout	380-381
Powered Vanity Drawer <b>NEW</b>	382-383
Wire Cleaning Supply Caddy	384
Wire Basket Rollout	385
Corner Organization	
Blind Corner Swingout	388-389
Blind Corner Sliding Door	390-391
Easy 360 Susan	392-393
Storage with Style® Blind Corner Pullout	394-395
Premium Wood Lazy Susan Kits	396-397
Premium Wood Lazy Susan Shelves & Poles	398-399
Premium Wood Swivel Lazy Susan	400
Economy Wire Swivel Lazy Susan	401
Economy Banded Swivel Lazy Susan	402
Economy Banded Lazy Susan Kits	403
Plastic Lazy Susan with Chrome Hub Kits	404
Economy Plastic Lazy Susan Kits	405
Plastic Pie-cut Lazy Susan	406
Half-moon Lazy Susan	407
Pantry Organization	
Premium Chrome Swingout	412-413
Premium Chrome Pullout	414
Wood Pullout	415
Wood Swingout	416
Wood Door Mount	417
Drawer Organization	
Peg Board Insert	420
Peg Board Accessories	421
Double Cutlery Drawer	422
Angled Cutlery Insert <b>NEW</b>	423
Cutlery Insert <b>NEW</b>	424-425

Knife Block Insert <b>NEW</b>	426
Spice Tray Insert <b>NEW</b>	x
Tipout Trays – Stainless Steel	428
Tipout Trays – White	429
Wall Cabinet Organization	
"No Wiggle" Wall Pullout	432
Wall Filler Pullout	433
Smart Rail® Storage Solution	434-437
Wire Tray Divider	438
Wooden Tray Divider	439
Door Mounted Spice Racks	440-441
Wooden Stemware Rack	442
Wooden Stemware Moulding	442
Wooden Bottle Lattice	443
Wire Stemware Rack	444
Wooden Bottle Rack	444

## Easy-to-Install Organizers

Pullout Baskets	447
Trash Can Pullouts	448
Trash Cans & Lids	449
Cleaning Supply Caddy	450
Pullout Pot Organizer	451
Pullout Lid Organizer	452
Door Mounted Tray System	452
Single Shelf Lazy Susan	453
3-Tier Spice Pulldown	454
Over the Door Towel Bar	455
Tipout Trays	456
Under Cabinet Stemware Rack	457
Under Cabinet Bottle Rack	457
U-Shaped Tray Divider	458
3-Tier Dishcloth Rack	458

## Closet Organizers

Shoe Fences	460
Pullout Baskets	461-463
Pullout Canvas Hamper	464
Pullout Plastic Hamper	465
Pullout Pant Rack	466
14" Belt & Tie Racks	467
Tri-Level Tie Organizer	468
Cascading Tie Organizer	469
12" Belt & Tie Racks, Valet Rod	470
Screw-Mount Racks	471
Telescoping Valet Rods	472
Jewelry Trays	473
Wardrobe Lifts	474-475
Laundry Valet	476
Hooks	477
Oval Closet Rods	478-479
Round Closet Rods	480-483
semprilED® Lighted Closet Rods	484-485
Lighted Closet Rod Profile <b>NEW</b>	486-487
Custom Dovetail Drawer Boxes	488-489
Shelf Supports	490-494
Heavy Duty Shelf Utility Bracket	494
Panel Connectors	495

# What's New in Organizers?

## STORAGE with STYLE<sup>®</sup>



Blind Corner Pullout

see page 330



Utensil Base Pullout

see page 332



*Metal Drawer Box  
Trashcan Pullout*

see page 345



*Economy Soft-Close  
Trashcan Pullout*

see page 346



*"No Wiggle"  
Knife Block Pullout*

see page 359

# What's New in Organizers?



**Powered Vanity  
Drawer Pullout**

see pages 382-383



**Angled Cutlery  
Drawer Insert**

see page 423



**Cutlery  
Drawer Insert**

see pages 424-425



**Knife Block  
Drawer Insert**

see page 426



**Spice Rack  
Drawer Insert**

see page 427

# Maximize every inch



## Drawer Solutions

Tame drawer clutter with our selection of drawer organizers. From complete drawer solutions to dividers, we help keep you organized from cutlery to pots and pans.



## Pantry Solutions

Organize everyone's favorite spot in the kitchen with a Hardware Resources' pantry solution.

# of kitchen storage



## Pullout Solutions

Maximize your cabinet storage with our award-winning pullouts. From a base cabinet pullout to a utensil pullout to a vanity pullout, Hardware Resources helps you have a beautiful and organized kitchen.

## Corner Solutions

Optimize what was once wasted space, and bring those impossible-to-reach items to your fingertips.



## Waste Container Solutions

No more bending or reaching to dispose of trash. Keep unsightly waste hidden in the cabinet, yet easily accessible.

Cans sold separately.

## PULLOUT SOLUTIONS

Maximize cabinet storage with Hardware Resources' base cabinet solutions. From cabinet pullouts to mixer lifts, we can help you make the most of a beautiful and organized kitchen.



### "No Wiggle" Drawer Base Pullout

Maximize storage under the drawer with our shortened height pullout. Keeps all items and spices secure with our "No Wiggle" platform.



### "No Wiggle" Pullout *The star of the kitchen!*

Bring your cabinet contents within easy reach. Our patented design eliminates the wiggle, keeping your contents secure.



### "No Wiggle" Tray Divider Pullout

Tame cookie sheet chaos using easily accessible pullout divider with soft-close slides.



### Appliance Lift

No more lifting heavy appliances thanks to this soft-close lift.



### "No Wiggle" Utensil Pullout

Convenient storage of kitchen utensils with 4 stainless steel bins and extra storage on the bottom shelf.



## WASTE CONTAINER SOLUTIONS



**CAN-TMDSC-18**  
Pages 350-351

*Purchase cans separately or in kits*

**HMLS-W-3212**

Neatly tuck away trash cans with a Hardware Resources waste container solution. From top or bottom mount options to premium wood or economy wire, we have a solution that will enhance your design and optimize the budget.



**SWS-MBMD35GPC**  
Pages 336-337

### Premium Wood Top Mount Trash Can System

Low profile design, soft-closes into cabinet with mounted door.

### Storage with Style® Trash Can Pullout

Tuck away trash cans in style with two trending finish options. See pages 330-339 for coordinating full product offering.



*(Cans sold separately)*

**CAN-EBMSPC-R**  
Page 353



**CAN-WBMD35G**  
Page 344



**CDM-WBMD35G**  
Page 342

### Economy Wire Trash Can System

Practical and versatile with three finish options.

### Premium Wood Bottom Mount

Beautiful solid wood drawer box with concealed soft-close slides.

### Premium Wood Bottom Mount with Door Kit

Beautiful solid wood drawer box with concealed soft-close slides and patented door mounting system.

## PANTRY SOLUTIONS

Organize everyone's favorite spot in the kitchen with a Hardware Resources pantry solution. From the traditional pantry pullout to our innovative pantry swingout, we have a solution for pantry storage needs.



### Premium Chrome Swingout

Pivots 90 degrees when fully extended, making the back of the pantry easily accessible.



### Wood Swingout & Door Mount

Maximize pantry storage with swinging shelves and door mount shelves.



### Premium Wood Pullout

Natural solid wood pullout on heavy-duty slides.



### Premium Chrome Pullout

Heavy-duty soft-close pantry pullout with stylish chrome accents.

## DRAWER SOLUTIONS

Tame drawer clutter with Hardware Resources' drawer organizers. From complete drawer solutions to drop-in inserts, these products will help organize everything from cutlery to cookware.



### Pegboard Organizer Cookware and Lid Insert

Works in conjunction with Pegboard Organizer Insert to organize cookware in deep drawers.



### Double Cutlery Drawer

Double your drawer space with our two-tier cutlery drawer; top cutlery drawer slides away revealing bottom cutlery drawer.



### Pegboard Organizer Insert

Beautiful solid wood pegboard drops into drawer for customizable organization.



### Spice Tray Drawer Insert

Tiered and tilted design allows you to easily see your spices.



### Angled Large Cutlery Drawer Insert

Beautiful natural wood divider, simply drops into drawer.



### Knife Block Drawer Insert

Get your knife block off the counter and into your drawer with this knife block insert.

## CORNER SOLUTIONS

With Hardware Resources' blind corner solutions, previously unused cabinet space is a thing of the past. The variety of options available ensures that we have a solution that will fit your design and style.



HMLS-W-3212  
Page 407

### Half-Moon Lazy Susan

Shelves pivot then slide out for full access in hard to reach blind corners. Available in wood and plastic options to meet any budget.



PLSK232  
Page 404

### Plastic Lazy Susan

Functional and practical corner solution.



LSR218-SET  
Pages 396-397

### Premium Wood Lazy Susan

Timeless traditional lazy susan that features beautiful wood and chrome accents.



BCS0215PCMP-LH  
Pages 388-389

### Blind Corner Swingout

Double shelves that independently pull out of the cabinet allow easy access to the back of the cabinet.



SWS-BCS15BN  
Pages 330-331

### Storage with Style® Blind Corner Pullout

With a universal design for left or right-hand blind corners, all four baskets pull out of the cabinet for full access of your cabinet.

## WALL STORAGE SOLUTIONS

Maximize cabinet storage with Hardware Resources' wall cabinet solutions. From cabinet pullouts and bakeware organizers to spice racks and wine accessories, we can help you make the most beautiful and organized kitchen.



SR30 & WR36MP  
Pages 442 & 443

### **Bottle Lattice and Stemware Rack**

Showcase your wine collection with a beautiful wine bottle wooden lattice rack and coordinating stemware rack.



WP02  
Page 432

### **Upper Cabinet Pullouts**

Pullout shelves keep everything within your reach.



SRSS999-LED, SRSS930-BAM  
& SRSS900-BAM  
Pages 434-437

### **Smart Rail System**

Put your walls to work with this versatile modular storage system.



SPR9A  
Pages 440-441

### **Door Mount Spice Racks**

Maximize your space by adding storage on your cabinet door, freeing up shelf space.

# Easy-Install Kitchen Organizers are

After cabinets have been ordered and even after cabinets have been installed, your customer may want to add additional Organizers to their new cabinets. Below are professional-grade Organizers that are easy to install after the cabinets have been made, designed to fit standard 1-1/2" face frame cabinets.



### Bottom Mount Trash Can Pullouts

Install quickly with  
just a few screws

*See page 342*



### Smart Rail™

Customizable hanging  
storage solution

*See pages 434-437*



### Tray Dividers

Keep trays and bakeware  
in easy reach

*See pages 438-439*



### Drawer Inserts

Organize plates, bowls,  
pots, lids, knives,  
cutlery, spices

*See pages 420-427*



### Shelf-Mounted Rollout Drawers

Bring back of cabinet  
storage to your fingertips

*See pages 366-368*



### Lazy Susans

Single shelf lazy susans  
rotate 360 degrees and  
install on a shelf

*See page 400-407*

# ideal for after cabinets are in place



Look for this logo throughout our Organizer Selection for items that are easy to install after the cabinets are in place



### Wall Cabinet Pullouts

Organize wall cabinets for foodstuffs and kitchen gadgets

See page 432



### Door Mounted Spice Racks

2 styles available. Reclaim the cabinet door for storage

See pages 440-441



### Wire Stemware Rack

Install this rack under wall cabinets with just 2 screws

See page 442



### Tipout Trays

No more false drawers in front of sinks

See pages 428-429

## ALSO AVAILABLE:

See our full line of easy-to-install 11 Minute Organizers, ideal for the DIY customer, on pages 447-458



### Cleaning Supply Caddy

Organize cleaning supplies in this portable rollout basket

See page 450



### Pullout Pot & Lid Organizers

Store cookware within reach, easily installs with just 4 screws

See page 452

# Video Resources



### Organizer Benefits Video

Show your customers how they can incorporate organizers into their dream kitchens by showing this video either on our website ([www.HardwareResources.com](http://www.HardwareResources.com)), our Vimeo account (<https://vimeo.com/HardwareResources>) or download for use on your showroom TVs.

Scan to watch the benefits video  
<http://delivr.com/24FXP>



### Installation Videos

Installation videos for many of our organizers can be found on our website and also on our Vimeo channel.

Scan to watch the installation video  
<http://delivr.com/2fz83>





# Video Resources



Organizers Overview  
[vimeo.com/154315251](https://vimeo.com/154315251)



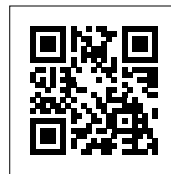
Some things shouldn't wiggle (BPO2)  
[vimeo.com/181622344](https://vimeo.com/181622344)



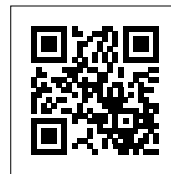
No Wiggle Pullout (BPO2) Comparison Video  
[vimeo.com/179339278](https://vimeo.com/179339278)



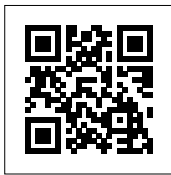
No Wiggle Pullout (BPO2) Installation + Tips Video  
[vimeo.com/180934686](https://vimeo.com/180934686)



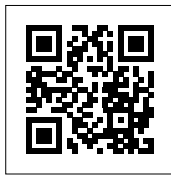
Blind Corner Swingout (BCSO) Installation Video  
[vimeo.com/217732515](https://vimeo.com/217732515)



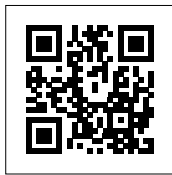
Blind Corner Pullout (CS-SHM) Installation Video  
[vimeo.com/138979481](https://vimeo.com/138979481)



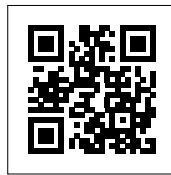
Sliding Door Corner Organizer (CS-SDCO) Installation Video  
[vimeo.com/138977318](https://vimeo.com/138977318)



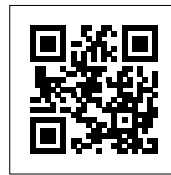
Easy Susan (CS-ES360) Installation Video  
[vimeo.com/138980424](https://vimeo.com/138980424)



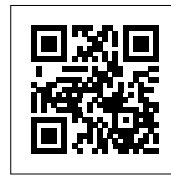
Round Lazy Susan Kit with Twist & Lock Pole (LSR2) Installation Video  
[vimeo.com/198414071](https://vimeo.com/198414071)



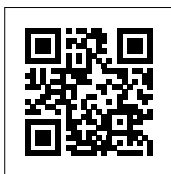
Kidney Lazy Susan Kit with Twist & Lock Pole (LSK2) Installation Video  
[vimeo.com/198413723](https://vimeo.com/198413723)



Single Shelf Lazy Susans (LSK-S) Installation Video  
[vimeo.com/198413388](https://vimeo.com/198413388)



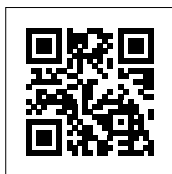
Round Plastic Lazy Susans with Twist & Lock Pole (PLS) Installation Video  
[vimeo.com/166805283](https://vimeo.com/166805283)



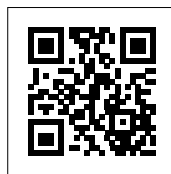
Economy Banded Lazy Susan Kits (BLSR2) Installation Video  
[vimeo.com/107958473](https://vimeo.com/107958473)



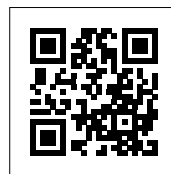
Plastic Lazy Susans with Chrome Hubs and Twist & Lock Pole (PLSM) Installation Video  
[vimeo.com/198411317](https://vimeo.com/198411317)



Economy Plastic Lazy Susans with Twist & Lock Pole (PLSR2) Installation Video  
[vimeo.com/198410221](https://vimeo.com/198410221)



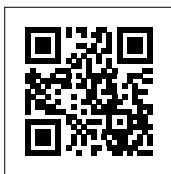
Pie-cut Lazy Susan Installation Video  
[vimeo.com/246822235](https://vimeo.com/246822235)



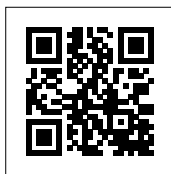
Half-moon Lazy Susan Installation Video  
[vimeo.com/238951023](https://vimeo.com/238951023)



Top Mount Trash Can System (CAN-TM) Installation Video  
[vimeo.com/138980671](https://vimeo.com/138980671)



Wood Bottom Mount Trash Can System (CAN-WBM) Installation Video  
[vimeo.com/198411837](https://vimeo.com/198411837)



Wood Bottom Mount Trash Can System with Door Brackets (CDM-WBM) Installation Video  
[vimeo.com/198413216](https://vimeo.com/198413216)



Chrome Pantry Pullout (CPPO) Installation Video  
[vimeo.com/138979659](https://vimeo.com/138979659)



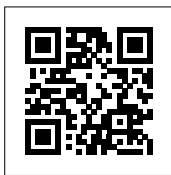
Chrome Pantry Swingout (CPSO) Installation Video  
[vimeo.com/138979839](https://vimeo.com/138979839)



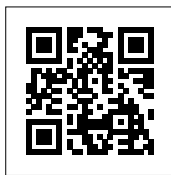
Wood Pantry Swingout & Door Mount (PSO & PDM) Installation Video  
[vimeo.com/138980578](https://vimeo.com/138980578)



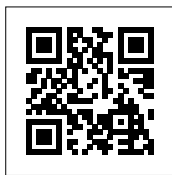
Wood Pantry Pullout (PPO2) Installation Video  
[vimeo.com/198408615](https://vimeo.com/198408615)



Double Cutlery Drawer (CD15) Installation Video  
[vimeo.com/138980141](https://vimeo.com/138980141)



Rollouts and Highbacks Product Overview Video  
[vimeo.com/124835512](https://vimeo.com/124835512)



Appliance/Mixer Lift (ML-1) Installation Video  
[vimeo.com/224538954](https://vimeo.com/224538954)



SWS Pot/Lid Installation Video  
[vimeo.com/248331955](https://vimeo.com/248331955)



SWS Trash Can Installation Video  
[vimeo.com/248331963](https://vimeo.com/248331963)



SWS Baskets Installation Video  
[vimeo.com/294441085](https://vimeo.com/294441085)

---

# STORAGE with STYLE<sup>®</sup>

---

Storage solutions that beautifully coordinate to create a harmonious kitchen design

..... Drawer Base Pullout

Blind Corner Pullout .....

..... Trash Can Pullout

Storage with Style® is a designer organizer collection that beautifully coordinates to create a harmonious kitchen design. Add storage solutions to your kitchen with a trashcan pullout, spice pullouts, utensil pullouts, pan organizer, and pullout baskets; all designed to coordinate for a cohesive look and eliminate reaching inside a cabinet.



**Design is in the details**

Curved flat wire design details flow across all organizers to create a cohesive collection identity



**Stylish finish options**

Designer finishes of Black Nickel and Polished Chrome coordinate with popular hardware styles, or mix finishes to add variety



Base Pullout

Pot & Lid Organizer

Pullout Basket



## *NEW* Blind Corner Pullout

All four baskets slide and pull out of the corner cabinet opening for full access

Metal baskets are adjustable in height

Universal design for left or right-hand blind corners

Available in standard and full-height blind corner cabinets.  
For full-height option, additional baskets can be added to make a three-tiered organizer (see at right)

Includes heavy-duty soft-close slides for smooth movement in and out of the cabinet (preinstalled)

Heavy-duty frame construction ensures organizer is stable when in motion

Acrylic liners add stability to baskets and are easy to clean





Black Nickel



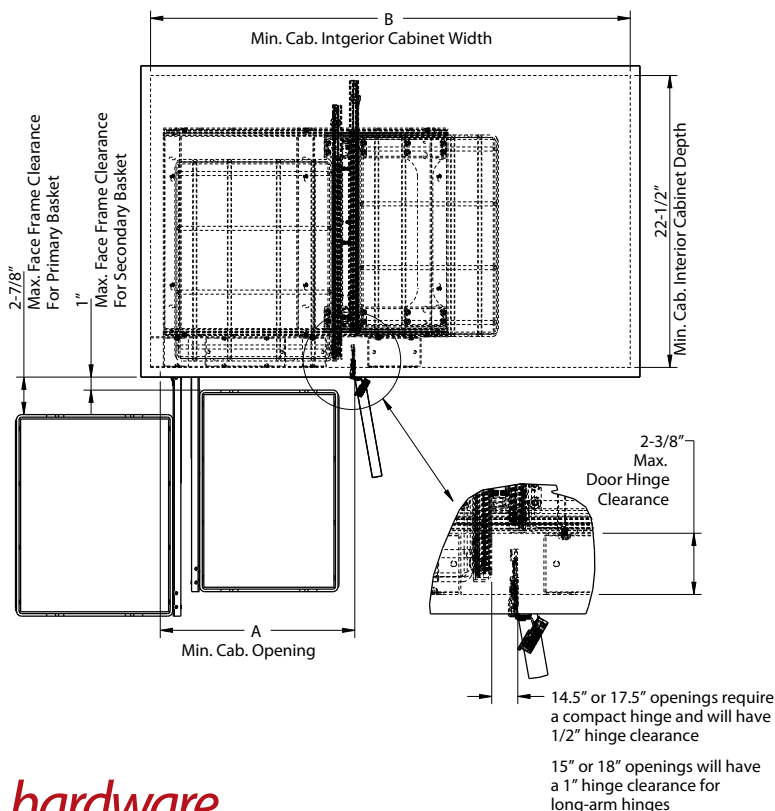
Polished Chrome

Description	Item Number	Frame Color	Width	Depth	Height	Standard Cabinet Size	Weight Capacity	Ctn Qty
Blind Corner Organizer for Standard Height 15" Opening	SWS-BCS15BN	Black Nickel	26-13/16"	22-1/8"	20-9/16"	Blind Corner with drawer	130 lb	1
	SWS-BCS15PC	Polished Chrome	26-13/16"	22-1/8"	20-9/16"	Blind Corner with drawer	130 lb	1
Blind Corner Organizer for Standard Height 18" Opening	SWS-BCS18BN	Black Nickel	32-7/8"	22-1/8"	20-9/16"	Blind Corner with drawer	130 lb	1
	SWS-BCS18PC	Polished Chrome	32-7/8"	22-1/8"	20-9/16"	Blind Corner with drawer	130 lb	1
Blind Corner Organizer for Full Height 15" Opening	SWS-BCFH15BN	Black Nickel	26-13/16"	22-1/8"	24-1/16"	Blind Corner - full height door	130 lb	1
	SWS-BCFH15PC	Polished Chrome	26-13/16"	22-1/8"	24-1/16"	Blind Corner - full height door	130 lb	1
Blind Corner Organizer for Full Height 18" Opening	SWS-BCFH18BN	Black Nickel	32-7/8"	22-1/8"	24-1/16"	Blind Corner - full height door	130 lb	1
	SWS-BCFH18PC	Polished Chrome	32-7/8"	22-1/8"	24-1/16"	Blind Corner - full height door	130 lb	1
Pair of Extra Baskets for SWS-BCFH15 15" Opening	SWS-BCBAS15BN	Black Nickel	12-3/16"	15-9/16"	3-9/16"	-	25 lb	1
	SWS-BCBAS15PC	Polished Chrome	12-3/16"	15-9/16"	3-9/16"	-	25 lb	1
Pair of Extra Baskets for SWS-BCFH18 18" Opening	SWS-BCBAS18BN	Black Nickel	15-3/16"	15-9/16"	3-9/16"	-	25 lb	1
	SWS-BCBAS18PC	Polished Chrome	15-3/16"	15-9/16"	3-9/16"	-	25 lb	1

**Recommended screw:**

**screws included**

\*Full height door required



**Door Opening Height**

	Height	A	B
SWS-BCS15BN	20-9/16"	14-1/2"	27"
SWS-BCS15PC	20-9/16"	14-1/2"	27"
SWS-BCS18BN	20-9/16"	17-1/2"	33"
SWS-BCS18PC	20-9/16"	17-1/2"	33"
SWS-BCFH15BN	24-1/16"	14-1/2"	27"
SWS-BCFH15PC	24-1/16"	14-1/2"	27"
SWS-BCFH18BN	24-1/16"	17-1/2"	33"
SWS-BCFH18PC	24-1/16"	17-1/2"	33"



**SHIPS FULLY ASSEMBLED**

## *NEW* Utensil Base Pullout

- Convenient storage for kitchen utensils
- Includes 4 stainless steel bins that are easy to remove for cleaning
- Open bottom shelf for additional storage
- Integrated, patented, 6-way adjustable door mounting brackets
- "No Wiggle" patented hardware eliminates excessive sag and side-to-side movement
- Smooth, soft-closing slides (preinstalled)
- Removable grey acrylic liners for easy cleaning
- Ships fully assembled and ready to install



**PATENTED**  
9,723,922

Optional 6-way adjustable door mounting brackets included



Polished Chrome



Black Nickel

	Description	Frame Color	Width	Depth	Height	Min. Opening	Standard Cab. Size	Weight Capacity	Ctn Qty
SWS-UBPO8BN	8" Wire Base Pullout	Black Nickel	8-15/16"	21-5/16"	24-1/16"	8-1/2"	12" base or larger	100 lb	1
SWS-UBPO8PC	8" Wire Base Pullout	Polished Chrome	8-15/16"	21-5/16"	24-1/16"	8-1/2"	12" base or larger	100 lb	1

**Recommended screw:**

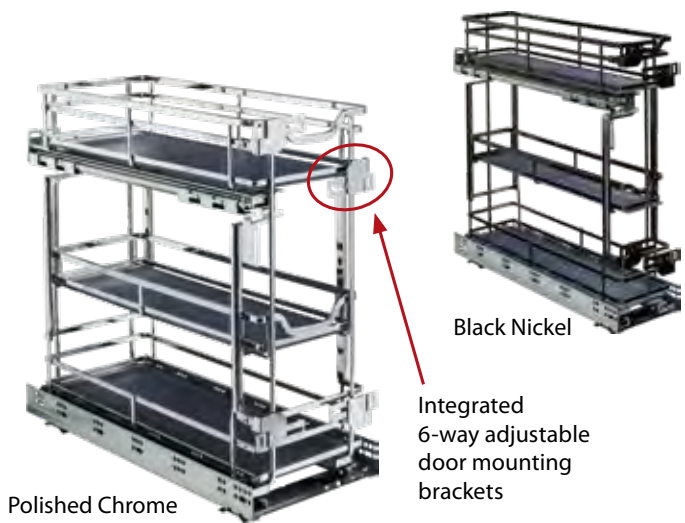
**screws included**

# STORAGE with STYLE®



## Drawer Base Pullout

- Reduced height to use in a standard cabinet under a drawer.
- Integrated, patented, 6-way adjustable door mounting brackets
- "No Wiggle" patented hardware eliminates excessive sag and side-to-side movement
- Smooth, soft-closing slides (preinstalled)
- One adjustable shelf included
- Removable grey acrylic liners for easy cleaning
- Ships fully assembled and ready to install



	Description	Frame Color	Width	Depth	Height	Min. Opening	Standard Cab. Size	Weight Capacity	Ctn Qty
SWS-DBPO5BN	5" Wire Drawer Base Pullout	Black Nickel	5-15/16"	21-5/16"	20-1/4"	5"	9" base or larger	100 lb	1
SWS-DBPO5PC	5" Wire Drawer Base Pullout	Polished Chrome	5-15/16"	21-5/16"	20-1/4"	5"	9" base or larger	100 lb	1
SWS-DBPO8BN	8" Wire Drawer Base Pullout	Black Nickel	8-15/16"	21-5/16"	20-1/4"	9"	12" base or larger	100 lb	1
SWS-DBPO8PC	8" Wire Drawer Base Pullout	Polished Chrome	8-15/16"	21-5/16"	20-1/4"	9"	12" base or larger	100 lb	1

**Recommended screw: screws included**



**SHIPS FULLY ASSEMBLED**



Scan to watch the installation video  
<https://delivr.com/2eyqn>

## Base Pullout

Integrated, patented\*, 6-way adjustable door mounting brackets

"No Wiggle" patented\* hardware eliminates excessive sag and side-to-side movement

Smooth, soft-closing slides (preinstalled)

Middle shelf is adjustable

Removable grey acrylic liners for easy cleaning

Ships fully assembled and ready to install

Requires full height cabinet door



Polished Chrome



Black Nickel

	Description	Frame Color	Width	Depth	Height	Min. Opening	Standard Cab. Size	Weight Capacity	Ctn Qty
SWS-BPO5BN	5" Wire Base Pullout	Black Nickel	5-15/16"	21-5/16"	24-1/16"	6"	9" base or larger	100 lb	1
SWS-BPO5PC	5" Wire Base Pullout	Polished Chrome	5-15/16"	21-5/16"	24-1/16"	6"	9" base or larger	100 lb	1
SWS-BPO8BN	8" Wire Base Pullout	Black Nickel	8-15/16"	21-5/16"	24-1/16"	9"	12" base or larger	100 lb	1
SWS-BPO8PC	8" Wire Base Pullout	Polished Chrome	8-15/16"	21-5/16"	24-1/16"	9"	12" base or larger	100 lb	1

**Recommended screw:**

**screws included**



# STORAGE with STYLE®



 **SHIPS FULLY ASSEMBLED**



**Scan to watch the installation video**  
<http://delivr.com/23y5t>

## Pot & Lid Organizer Pullout

Designed to prevent pans from banging together, keeping them from being damaged and preventing unwanted noise

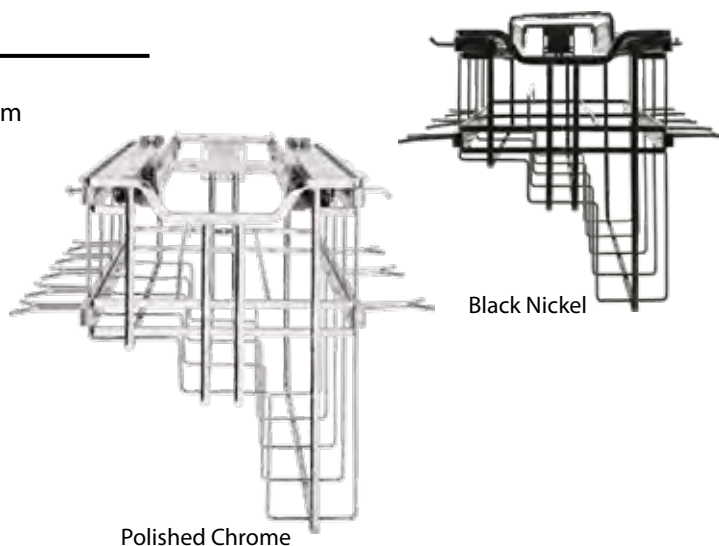
Top mounting, leaves bottom of the cabinet accessible for additional storage

Hooks are adjustable for full customization

Integrated lid storage

Smooth, soft-closing slides

Ships fully assembled and installs with just four screws



Polished Chrome

Black Nickel

	<i>Frame Color</i>	<i>Width</i>	<i>Depth</i>	<i>Height</i>	<i>Min. Opening</i>	<i>Standard Cab. Size</i>	<i>Weight Capacity</i>	<i>Ctn Qty</i>
SWS-PO21BN	Black Nickel	15-5/8"	22-5/8"	13-7/16"	15-5/8"	24" base or larger	100 lb	1
SWS-PO21PC	Polished Chrome	15-5/8"	22-5/8"	13-7/16"	15-5/8"	24" base or larger	100 lb	1

**Recommended screw:**

**screws included**

# STORAGE with STYLE®



Scan to watch the  
installation video  
<http://delivr.com/2cjqh>





## Trash Can Pullout

Ships fully assembled with trashcan(s) available in 3 configurations: double can 35 qt, double can 50 qt, and single can 35 qt

Integrated, patented\*, 6-way adjustable door mounting brackets

"No Wiggle" patented\* hardware eliminates excessive sag and side-to-side movement

Smooth, soft-closing slides (preinstalled)

Removable grey acrylic liners for easy cleaning

Installs with just four screws



**PATENTED**  
9,723,922  
& D876,094



Integrated 6-way adjustable door mounting brackets

Polished Chrome

	Description	Frame Color	Can Color	Width	Depth	Height	Min. Opening	Standard Cab. Size	Weight Capacity	Ctn Qty
SWS-MBMS35GBN	Single 35 qt	Black Nickel	Grey	12"	21-13/16"	20"	12"	15" base	100 lb	1
SWS-MBMS35GPC	Single 35 qt	Polished Chrome	Grey	12"	21-13/16"	20"	12"	15" base	100 lb	1
SWS-MBMD35GBN	Double 35 qt	Black Nickel	Grey	14-15/16"	21-13/16"	20"	15"	18" base	100 lb	1
SWS-MBMD35GPC	Double 35 qt	Polished Chrome	Grey	14-15/16"	21-13/16"	20"	15"	18" base	100 lb	1
SWS-MBMD50GBN	Double 50 qt	Black Nickel	Grey	14-15/16"	21-13/16"	24"	15"	18" base	100 lb	1
SWS-MBMD50GPC	Double 50 qt	Polished Chrome	Grey	14-15/16"	21-13/16"	24"	15"	18" base	100 lb	1

**Recommended screw:**

**screws included**



SHIPS FULLY  
ASSEMBLED



Scan to watch the  
installation video  
<https://delivr.com/2eyqn>

# Pullout Basket & Pilaster System

Can be bottom mounted or side-mounted for face frame or frameless application

Stack multiple baskets with optional pilaster system

Smooth, soft-closing slides

Sleek, modern metal design

Available in two finishes:

Polished Chrome & Black Nickel

Removable grey acrylic liners for easy cleaning

\*US Patents pending



SWS-WB273BN  
Black Nickel



SWS-WB213PC  
Polished Chrome



	<i>Description</i>	<i>Frame Color</i>	<i>Width</i>	<i>Depth</i>	<i>Height</i>	<i>Min. Opening</i>	<i>Standard Cab. Size</i>	<i>Weight Capacity</i>	<i>Ctn Qty</i>
SWS-WB153BN	Wire Pullout Basket	Black Nickel	14-1/2"	22-1/16"	4-1/4"	14-1/2"	18" base	100 lb	1
SWS-WB153PC	Wire Pullout Basket	Polished Chrome	14-1/2"	22-1/16"	4-1/4"	14-1/2"	18" base	100 lb	1
SWS-WB213BN	Wire Pullout Basket	Black Nickel	20-7/16"	22-1/16"	5-7/16"	20-1/2"	24" base	100 lb	1
SWS-WB213PC	Wire Pullout Basket	Polished Chrome	20-7/16"	22-1/16"	5-7/16"	20-1/2"	24" base	100 lb	1
SWS-WB273BN	Wire Pullout Basket	Black Nickel	26-5/16"	22-1/16"	5-7/16"	26-1/2"	30" base	100 lb	1
SWS-WB273PC	Wire Pullout Basket	Polished Chrome	26-5/16"	22-1/16"	5-7/16"	26-1/2"	30" base	100 lb	1
SWS-PILKITBN	Pilaster System	Black Nickel	1-1/4"	8/16"	21-1/2"	-	-	-	1
SWS-PILKITPC	Pilaster System	Polished Chrome	1-1/4"	8/16"	21-1/2"	-	-	-	1

**Recommended screw:**

**screws included**

---

# WASTE CONTAINER ORGANIZATION

---



**Storage with Style® Trash Can Pullout**  
*Pages 336-337*



**Storage with Style® Trash Can Pullout**  
Pages 336-337



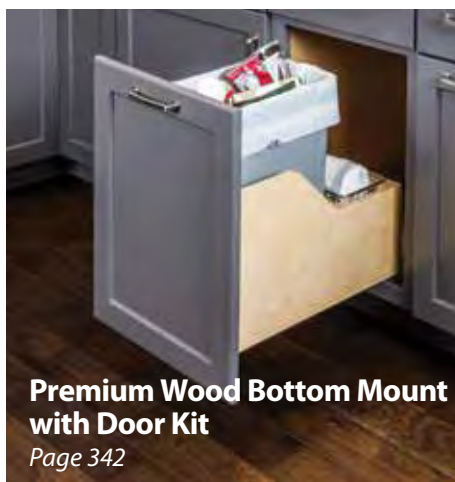
**Premium Wood Top Mount with Soft-close**  
Page 350-351

## Waste Container Organization

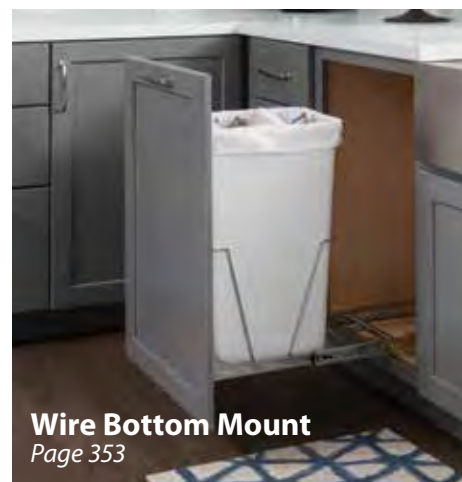
Neatly tuck away trash cans with a Hardware Resources waste container solution. From top or bottom mount options to premium wood or economy wire, we have a solution that will enhance your design and optimize the budget.



**Premium Wood Bottom Mount**  
Page 344



**Premium Wood Bottom Mount with Door Kit**  
Page 342



**Wire Bottom Mount**  
Page 353

# Waste Container Organization: Wood Bottom Mount with Door Kit



Designed for cabinets with 12" (single can) or 15" (double can) minimum opening width

Features patented 6-way adjustable door mounting brackets for ease of door installation

Ships fully preassembled and quickly mounts to cabinet floor using four screws

Features 100 lb full extension soft-closing concealed undermount slides

UV coated edgebanded birch plywood construction

Ships with one or two heavy duty polymer trash cans in 35 qt or 50 qt and in black, white or grey finishes.

**Note:** full height base cabinet needed if using 50 qt trash cans



PATENTED

9,661,924  
& 10,028,581

Scan to watch the  
installation video  
<http://delivr.com/2RSTV>



	Description	Can Color	Width	Depth	Height	Min. Opening	Standard Cab. Size	Weight Capacity	Ctn Qty
CDM-WBMS35B	Single 35 qt	Black	12"	21-3/8"	19-3/4"	11-1/2"	15" base	100 lb	1
CDM-WBMS35WH	Single 35 qt	White	12"	21-3/8"	19-3/4"	11-1/2"	15" base	100 lb	1
CDM-WBMS35G	Single 35 qt	Grey	12"	21-3/8"	19-3/4"	11-1/2"	15" base	100 lb	1
CDM-WBMD35B	Double 35 qt	Black	15"	21-3/8"	19-3/4"	14-1/2"	18" base	100 lb	1
CDM-WBMD35WH	Double 35 qt	White	15"	21-3/8"	19-3/4"	14-1/2"	18" base	100 lb	1
CDM-WBMD35G	Double 35 qt	Grey	15"	21-3/8"	19-3/4"	14-1/2"	18" base	100 lb	1
CDM-WBMS50B	Single 50 qt	Black	12"	21-3/8"	24"	11-1/2"	15" base	100 lb	1
CDM-WBMS50WH	Single 50 qt	White	12"	21-3/8"	24"	11-1/2"	15" base	100 lb	1
CDM-WBMS50G	Single 50 qt	Grey	12"	21-3/8"	24"	11-1/2"	15" base	100 lb	1
CDM-WBMD50B	Double 50 qt	Black	15"	21-3/8"	24"	15"	18" base	100 lb	1
CDM-WBMD50WH	Double 50 qt	White	15"	21-3/8"	24"	15"	18" base	100 lb	1
CDM-WBMD50G	Double 50 qt	Grey	15"	21-3/8"	24"	15"	18" base	100 lb	1

Recommended screw:

screws included





# What makes a great trash can pullout?



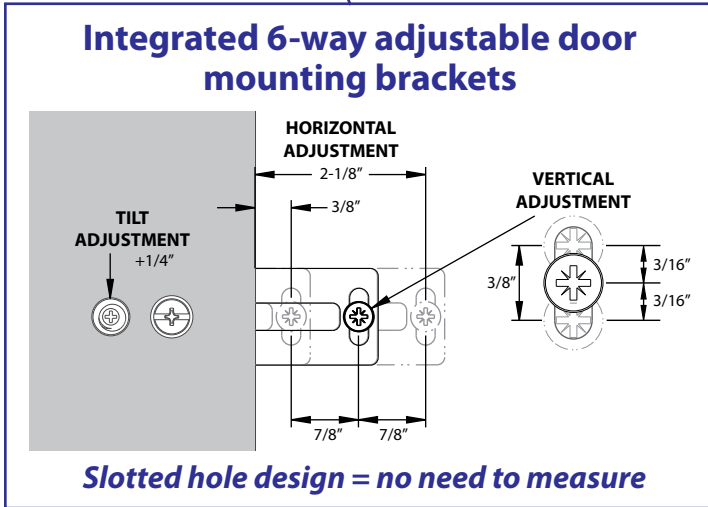
Cans available in 2 sizes and 3 colors

UV Coated White Birch material

Dovetail joints

Ships fully assembled & quickly mounts to cabinet floor with 4 screws

Concealed soft-close slides included (pre-installed)



Patented mounting hardware  
US Patents 9,661,924 & 10,028,581

# Waste Container Organization: Wood Bottom Mount



Ships fully preassembled and quickly mounts to cabinet floor using four screws

Designed for cabinets with 12" (single can) or 15" (double can) minimum opening width

Features 100 lb full extension soft-closing concealed undermount slides (pre-installed)

UV coated edgebanded birch plywood construction

Single unit includes chrome-plated wire basket for storage of trash bags

Ships with one or two heavy duty polymer trash cans in 35 qt or 50 qt and in black, white or grey finishes.

**Note:** full height base cabinet needed if using 50 qt trash cans



Scan to watch the installation video  
<http://delivr.com/2V2YC>

	Description	Can Color	Width	Depth	Height	Min. Opening	Standard Cab. Size	Weight Capacity	Ctn Qty
CAN-WBMS35B	Single 35 qt	Black	12"	21-3/8"	19-3/4"	11-1/2"	15" base	100 lb	1
CAN-WBMS35WH	Single 35 qt	White	12"	21-3/8"	19-3/4"	11-1/2"	15" base	100 lb	1
CAN-WBMS35G	Single 35 qt	Grey	12"	21-3/8"	19-3/4"	11-1/2"	15" base	100 lb	1
CAN-WBMD35B	Double 35 qt	Black	15"	21-3/8"	19-3/4"	15"	18" base	100 lb	1
CAN-WBMD35WH	Double 35 qt	White	15"	21-3/8"	19-3/4"	15"	18" base	100 lb	1
CAN-WBMD35G	Double 35 qt	Grey	15"	21-3/8"	19-3/4"	15"	18" base	100 lb	1
CAN-WBMS50B	Single 50 qt	Black	12"	21-3/8"	24"	11-1/2"	15" base	100 lb	1
CAN-WBMS50WH	Single 50 qt	White	12"	21-3/8"	24"	11-1/2"	15" base	100 lb	1
CAN-WBMS50G	Single 50 qt	Grey	12"	21-3/8"	24"	11-1/2"	15" base	100 lb	1
CAN-WBMD50B	Double 50 qt	Black	15"	21-3/8"	24"	14-1/2"	18" base	100 lb	1
CAN-WBMD50WH	Double 50 qt	White	15"	21-3/8"	24"	14-1/2"	18" base	100 lb	1
CAN-WBMD50G	Double 50 qt	Grey	15"	21-3/8"	24"	14-1/2"	18" base	100 lb	1

Recommended screw: screws included



# Waste Container Organization: Metal Drawer Box Trash Can Pullout



Hide trash in plain sight with this modern grey trash can pullout

Designed to fit standard 1-1/2" faceframe openings with a clean, metal wall design

Thin 7" height double wall metal drawer box maximizes cabinet space allowing for a single can pullout to fit in a 12" cabinet opening and the double can units to fit in a 15" cabinet opening

Ships fully preassembled and quickly mounts to cabinet floor using four screws

Ships with one or two heavy duty polymer trash cans in 35 qt or 50 qt and in a grey finish.

Integrated door brackets with vertical and horizontal adjustment

Smooth soft-closing synchronized slides with 100lb dynamic capacity (uninstalled)

**Note:** full height base cabinet needed if using 50 qt trash cans



	Description	Can Color	Width	Depth	Height	Min. Opening	Standard Cab. Size	Weight Capacity	Ctn Qty
CAN-MDB5-S35G	Single 35 qt	Grey	12"	21"	20"	12"	15" base	100 lb	1
CAN-MDB5-D35G	Double 35 qt	Grey	15"	21"	20"	15"	18" base	100 lb	1
CAN-MDB5-D50G	Double 50 qt	Grey	15"	21"	24"	15"	18" base	100 lb	1

**Recommended screw:** screws included

# Waste Container Organization: Economy Soft-close Trash Can Pullout

**NEW**

Introducing 4 new budget-friendly options that don't compromise on features or quality.



WC-EMBM-D50G | 50 qt Double Can



WC-EMBM-S35G | 35 qt Single Can

35 qt configurations  
fit in under-drawer  
base cabinets



WC-EMBM-D35G | 35 qt Double Can

50 qt configurations  
fit in full-height  
base cabinets

Designed for cabinets with 12" (single can) or 15" (double can) minimum opening width  
 Features patented 6-way adjustable door mounting brackets for ease of door installation  
 Ships fully preassembled and quickly mounts to cabinet floor using four screws  
 Features 100 lb full extension soft-closing concealed undermount slides (pre-installed)  
 UV coated edgebanded birch plywood construction  
 Ships with one or two heavy duty polymer trash cans in 35 qt or 50 qt and in black, white or grey finishes



**PATENTED**

9,661,924  
& 10,028,581

*Note: full height base cabinet needed if using 50 qt trash cans*

Item Number	Description	Width	Depth	Height	Min Opening Width	Standard Cabinet Size	Weight Capacity	Ctn Qty
WC-EMBM-S35G	Single 35 qt	11-1/2"	21-13/16"	20-5/8"	11-1/2"	15" base	100 lb	1
WC-EMBM-S50G	Single 50 qt	11-1/2"	21-13/16"	24-13/16"	11-1/2"	15" base	100 lb	1
WC-EMBM-D35G	Double 35 qt	14-1/4"	21-13/16"	20-5/8"	14-1/2"	18" base	100 lb	1
WC-EMBM-D50G	Double 50 qt	14-5/8"	21-13/16"	24-13/16"	15"	18" base	100 lb	1

**Recommended screw:**

**screws included**



WC-EMBM-S50G | 50 qt Single Can



WC-EMBM-D50G | 50 qt Double Can

**Single Can Configurations**

35 qt can

50 qt can

**Double Can Configurations**

35 qt cans

50 qt cans



WC-EMBM-S35G



WC-EMBM-S50G



WC-EMBM-D35G



WC-EMBM-D50G

STORAGE with STYLE®



Scan to watch the  
installation video  
<http://delivr.com/2cjgh>



SHIPS FULLY  
ASSEMBLED



## Trash Can Pullout

Ships fully assembled with trashcan(s) available in 3 configurations:  
double can 35 qt, double can 50 qt, and single can 35 qt

Integrated, patented, 6-way adjustable door mounting brackets

“No Wiggle” patented hardware eliminates  
excessive sag and side-to-side movement

Smooth, soft-closing slides (preinstalled)

Removable grey acrylic liners for easy cleaning

Installs with just four screws



**PATENTED**  
9,723,922  
& D876,094



Integrated  
6-way adjustable  
door mounting  
brackets

Polished Chrome

	Description	Frame Color	Can Color	Width	Depth	Height	Min. Opening	Standard Cab. Size	Weight Capacity	Ctn Qty
SWS-MBMS35GBN	Single 35 qt	Black Nickel	Grey	12"	21-13/16"	20"	12"	15" base	100 lb	1
SWS-MBMS35GPC	Single 35 qt	Polished Chrome	Grey	12"	21-13/16"	20"	12"	15" base	100 lb	1
SWS-MBMD35GBN	Double 35 qt	Black Nickel	Grey	14-15/16"	21-13/16"	20"	15"	18" base	100 lb	1
SWS-MBMD35GPC	Double 35 qt	Polished Chrome	Grey	14-15/16"	21-13/16"	20"	15"	18" base	100 lb	1
SWS-MBMD50GBN	Double 50 qt	Black Nickel	Grey	14-15/16"	21-13/16"	24"	15"	18" base	100 lb	1
SWS-MBMD50GPC	Double 50 qt	Polished Chrome	Grey	14-15/16"	21-13/16"	24"	15"	18" base	100 lb	1

**Recommended screw:**

**screws included**

# Waste Container Organization: Wood Top Mount with Soft-close



**Cans Sold Separately**  
See page 353

- Features 100 lb soft-close ball bearing slides (pre-installed)
- Self-adjusting back brackets included for face-frame application
- Included trash can ring allows for use with either a 35 qt or 50 qt can\*
- Door mounting bracket included with horizontal and vertical adjustments
- Single can units come with a stainless steel basket to hold trash bags
- Solid white birch construction with clear UV finish

**Cans sold separately (see page 353)**

**Note:** full height base cabinet needed if using 50 qt trash cans



**!** 15" double 35 qt fits in 15" opening and can be mounted using patented\* 6-way adjustable mounting brackets under a drawer

\*US Patent Pending

	Description	Width	Depth	Height*	Min. Opening	Standard Cab. Size	Weight Capacity	Ctn Qty
CAN-TMSC-12	Single 35 qt or 50 qt	12"	21-5/8"	3-1/4"	12"	15" base	100 lb	1
CAN-TMSC-15	Single 35 qt or 50 qt	15"	21-5/8"	3-1/4"	15"	18" base	100 lb	1
CAN-TMDSC-15	Double 35 qt	15"	21-3/4"	8-9/16"	15"	18" base	90 lb	1
CAN-TMDSC-18	Double 35 qt or 50 qt	18"	21-5/8"	3-1/4"	18"	21" base	90 lb	1
CAN-TMDSC-21	Double 35 qt or 50 qt	21"	21-5/8"	3-1/4"	21"	24" base	90 lb	1

**Recommended screw: #8 flat head**

Height does not include cans. Height with can is same as can height. See page 352 for cans.

\*Trash can ring not included for CAN-TMDSC-15.





# Waste Container Organization: Wood Top Mount with Soft-Close & Cans

***Now available with cans included!***

Comes in all finishes and sizes, just order one part number to get all components needed.

SKU	Description	Width	Depth	Height	Min. Opening	Standard Cab. Size	Weight Capacity	Ctn Qty
CAN-TMS1235B-K	Single 35 qt - Black can	12"	21-5/8"	18"	12"	15" base	100 lb	1
CAN-TMS1235G-K	Single 35 qt - Grey can	12"	21-5/8"	18"	12"	15" base	100 lb	1
CAN-TMS1235W-K	Single 35 qt - White can	12"	21-5/8"	18"	12"	15" base	100 lb	1
CAN-TMS1250B-K	Single 50 qt - Black can	12"	21-5/8"	22-1/4"	12"	15" base	100 lb	1
CAN-TMS1250G-K	Single 50 qt - Grey can	12"	21-5/8"	22-1/4"	12"	15" base	100 lb	1
CAN-TMS1250W-K	Single 50 qt - White can	12"	21-5/8"	22-1/4"	12"	15" base	100 lb	1
CAN-TMD1535B-K	Double 35 qt - Black cans	15"	21-3/4"	18"	15"	18" base	100 lb	1
CAN-TMD1535G-K	Double 35 qt - Grey cans	15"	21-3/4"	18"	15"	18" base	100 lb	1
CAN-TMD1535W-K	Double 35 qt - White cans	15"	21-3/4"	18"	15"	18" base	100 lb	1
CAN-TMS1535B-K	Single 35 qt - Black can	15"	21-5/8"	18"	15"	18" base	100 lb	1
CAN-TMS1535G-K	Single 35 qt - Grey can	15"	21-5/8"	18"	15"	18" base	100 lb	1
CAN-TMS1535W-K	Single 35 qt - White can	15"	21-5/8"	18"	15"	18" base	100 lb	1
CAN-TMS1550B-K	Single 50 qt - Black can	15"	21-5/8"	22-1/4"	15"	18" base	100 lb	1
CAN-TMS1550G-K	Single 50 qt - Grey can	15"	21-5/8"	22-1/4"	15"	18" base	100 lb	1
CAN-TMS1550W-K	Single 50 qt - White can	15"	21-5/8"	22-1/4"	15"	18" base	100 lb	1
CAN-TMD1835B-K	Double 35 qt - Black cans	18"	21-5/8"	18"	18"	21" base	100 lb	1
CAN-TMD1835G-K	Double 35 qt - Grey cans	18"	21-5/8"	18"	18"	21" base	100 lb	1
CAN-TMD1835W-K	Double 35 qt - White cans	18"	21-5/8"	18"	18"	21" base	100 lb	1
CAN-TMD1850B-K	Double 50 qt - Black cans	18"	21-5/8"	22-1/4"	18"	21" base	100 lb	1
CAN-TMD1850G-K	Double 50 qt - Grey cans	18"	21-5/8"	22-1/4"	18"	21" base	100 lb	1
CAN-TMD1850W-K	Double 50 qt - White cans	18"	21-5/8"	22-1/4"	18"	21" base	100 lb	1
CAN-TMD2135B-K	Double 35 qt - Black cans	21"	21-5/8"	18"	21"	24" base	100 lb	1
CAN-TMD2135G-K	Double 35 qt - Grey cans	21"	21-5/8"	18"	21"	24" base	100 lb	1
CAN-TMD2135W-K	Double 35 qt - White cans	21"	21-5/8"	18"	21"	24" base	100 lb	1
CAN-TMD2150B-K	Double 50 qt - Black cans	21"	21-5/8"	22-1/4"	21"	24" base	100 lb	1
CAN-TMD2150G-K	Double 50 qt - Grey cans	21"	21-5/8"	22-1/4"	21"	24" base	100 lb	1
CAN-TMD2150W-K	Double 50 qt - White cans	21"	21-5/8"	22-1/4"	21"	24" base	100 lb	1

**Recommended screw:**

**#8 flat head**

# Waste Container Organization: Wire Bottom Mount



**Cans Sold Separately**  
See page 353



**!** Use optional door mounting kit for door pullout application

- Heavy duty 100 lb full extension ball bearing slides
- Thick wire frame construction
- Durable polymer trash cans are easily cleaned
- Cans and lids sold separately (see page 353)
- Quickly mounts to cabinet floor using four screws (included)

- Wire handle included
- Optional 6-way adjustable door mounting kit for door pullout application
- Retail packed with English, French and Spanish translations

**Note:** Double 50 qt can unit requires full height cabinet



	Description	Finish	Width	Depth	Height	Min. Opening	Standard Cabinet Size	Weight Capacity	Ctn Qty
CAN-EBMSB-R	Single Can Unit - 35 or 50 qt	Black	10-1/4"	22-1/16"	13"	11-1/2"	15" base	50 lb	6
CAN-EBMSPC-R	Single Can Unit - 35 or 50 qt	Polished Chrome	10-1/4"	22-1/16"	13"	11-1/2"	15" base	50 lb	6
CAN-EBMSW-R	Single Can Unit - 35 or 50 qt	White	10-1/4"	22-1/16"	13"	11-1/2"	15" base	50 lb	6
CAN-EBMDB-R	Double Can Unit - 35 qt only	Black	13-15/16"	22"	13"	14-1/2"	18" base	50 lb	4
CAN-EBMDPC-R	Double Can Unit - 35 qt only	Polished Chrome	13-15/16"	22"	13"	14-1/2"	18" base	50 lb	4
CAN-EBMDW-R	Double Can Unit - 35 qt only	White	13-15/16"	22"	13"	14-1/2"	18" base	50 lb	4
CAN-EBMD50B-R	Double Can Unit - 50 qt only	Black	15-3/16"	22-1/16"	12-13/16"	15-3/16"	18" base	50 lb	4
CAN-EBMD50PC-R	Double Can Unit - 50 qt only	Polished Chrome	15-3/16"	22-1/16"	12-13/16"	15-3/16"	18" base	50 lb	4
CAN-EBMD50W-R	Double Can Unit - 50 qt only	White	15-3/16"	22-1/16"	12-13/16"	15-3/16"	18" base	50 lb	4
CAN-DOORKIT	Door Mounting Kit	Black	2-1/2"	5-1/4"	6-5/8"	-	-	-	20
CAN-DOORKITPC	Door Mounting Kit	Polished Chrome	2-1/2"	5-1/4"	6-5/8"	-	-	-	20
CAN-DOORKITW	Door Mounting Kit	White	2-1/2"	5-1/4"	6-5/8"	-	-	-	20

# Waste Container Organization: Cans & Lids



Cans available in 2 sizes and 3 standard colors – black, grey & white  
 Lids available in 3 standard colors plus green for recycling  
 High quality polymer material is durable and easy to clean  
 Compatible with all of our trash can pullouts

	Description	Can Color	Width	Depth	Height	Ctn Qty
CAN-35	35 qt Polymer Can	Black	14-1/4"	9-7/16"	18"	10
CAN-35W	35 qt Polymer Can	White	14-1/4"	9-7/16"	18"	10
CAN-35GRY	35 qt Polymer Can	Grey	14-1/4"	9-7/16"	18"	10
CAN-35LID	Lid for 35 qt Polymer Can	Black	14-1/4"	9-3/8"	1-5/8"	10
CAN-35LIDW	Lid for 35 qt Polymer Can	White	14-1/4"	9-3/8"	1-5/8"	10
CAN-35LIDGRY	Lid for 35 qt Polymer Can	Grey	14-1/4"	9-3/8"	1-5/8"	10
CAN-35LIDG	Lid for 35 qt Polymer Can	Green	14-1/4"	9-3/8"	1-5/8"	10
CAN-50	50 qt Polymer Can	Black	14-7/8"	10-1/4"	22-1/4"	10
CAN-50W	50 qt Polymer Can	White	14-7/8"	10-1/4"	22-1/4"	10
CAN-50GRY	50 qt Polymer Can	Grey	14-7/8"	10-1/4"	22-1/4"	10
CAN-50LID	Lid for 50 qt Polymer Can	Black	14-5/8"	10-1/4"	1-5/8"	10
CAN-50LIDW	Lid for 50 qt Polymer Can	White	14-5/8"	10-1/4"	1-5/8"	10
CAN-50LIDGRY	Lid for 50 qt Polymer Can	Grey	14-5/8"	10-1/4"	1-5/8"	10
CAN-50LIDG	Lid for 50 qt Polymer Can	Green	14-5/8"	10-1/4"	1-5/8"	10

Great for  
  
 Recycling



---

# BASE CABINET ORGANIZATION

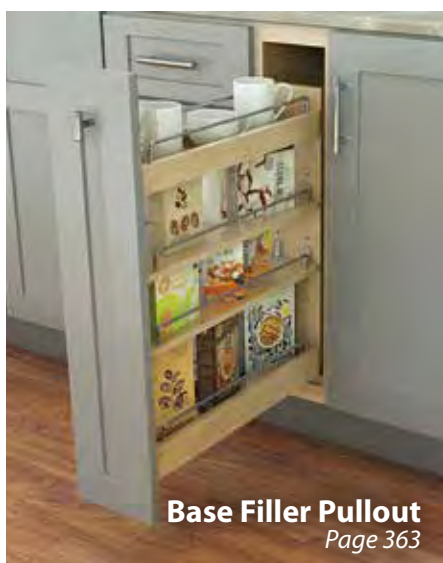
---



**Knife Block Pullout**  
Page 359

## Base Cabinet Organization

Maximize cabinet storage with Hardware Resources' base cabinet organization. From cabinet pullouts to mixer lifts, we can help you create a beautiful and organized kitchen.



Some things should wiggle.

Your Cabinet Pullout Shouldn't.

Hardware Resources has designed the **sturdiest cabinet pullout on the market**

- "No Wiggle" patented hardware **eliminates excessive sag and side-to-side movement**
- **Ships fully assembled** and installs in minutes, saving time
- 6-way integrated door mounting hardware for **precise door adjustments**



Scan the QR code  
with your smartphone  
or mobile device or visit  
<http://www.delivr.com/2h4vw>

# Base Cabinet Organization: "No Wiggle" Base Pullout



Patented\* top mounting bracket eliminates excessive side-to-side movement and sag, yet is hidden under the first shelf for a clean look

Bottom slides are concealed undermount slides, and the top is a 225 lb slide for added support and weight bearing (pre-installed)

Patented\* integrated 6-way adjustable door-mounting brackets allow for easy mounting of door

Frameless Friendly! Works in both face frame and frameless applications

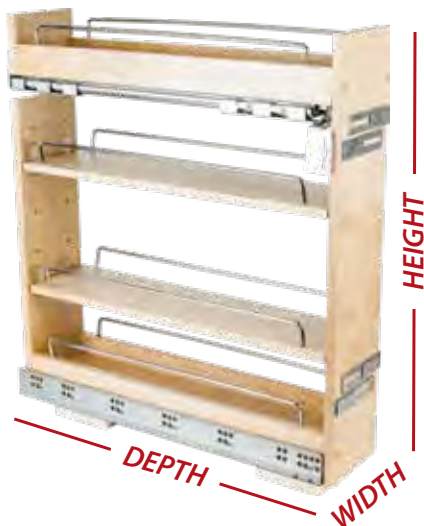
Ships fully assembled making installation a breeze

**U.S. PATENTED**

9,661,924 & 9,723,922  
10,028,581 & 10,251,480

**!** Requires full door cabinet

Scan to watch the installation video  
<http://delivr.com/22TZY>



	Width	Depth	Height	Min. Opening	Standard Cabinet Size	Weight Capacity	Ctn Qty
BPO2-5SC	5-1/2"	22"	24"	5-1/2"	9" base	100 lb	1
BPO2-8SC	8-1/2"	22"	24"	8-1/2"	12" base	100 lb	1
BPO2-11SC	11-1/2"	22"	24"	11-1/2"	15" base	100 lb	1
BPO2-14SC	14-1/2"	22"	24"	14-1/2"	18" base	100 lb	1

**Recommended screw: #8 flat head**

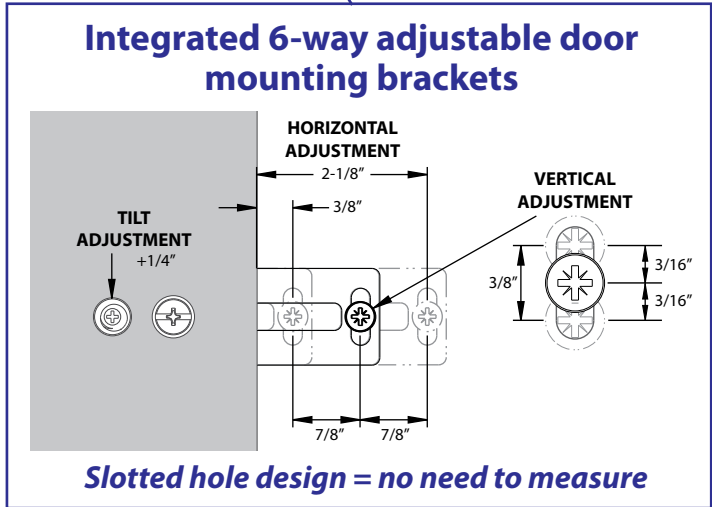
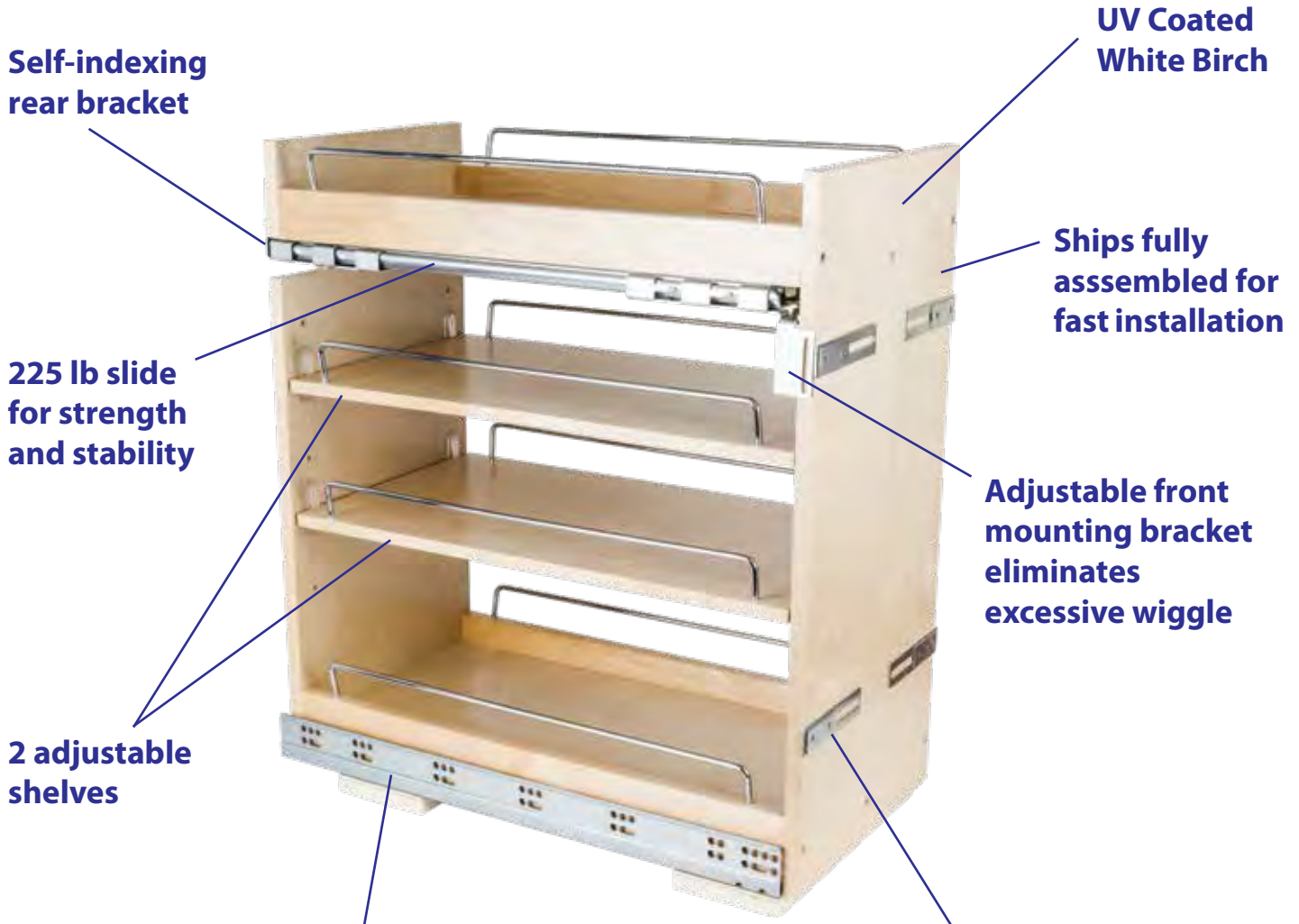


## Extra Rails

	Ctn Qty
RAIL-17-PC Extra rail for BPO series	50

# Base Cabinet Organization: "No Wiggle" Pullouts

## What makes a great pullout?



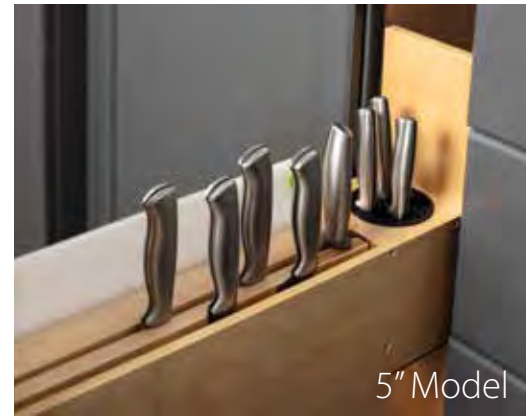
Patented mounting hardware  
US Patents 9,661,924 & 10,028,581



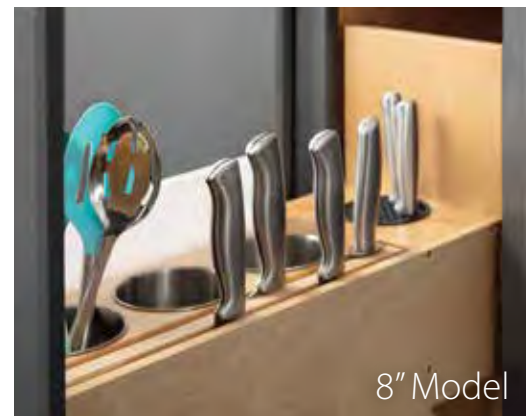
**NEW**

# Base Cabinet Organization: "No Wiggle" Knife Block Pullout

**Cabinet Organizers**



5" Model



8" Model

## Did you know...

- Storing knives in traditional knife blocks or plastic sheaths dulls their blades over time.
- Magnetic strips keep knives sharper by minimizing blade contact. Our new Knife Pullout features a strong magnetic bar embedded in wood for ideal knife storage.
- Sharp knives are key to safe and effective cutting, and good knives are expensive. Our innovative pullout protects this investment by storing knives properly.



### Plastic Cutting Board

- Included with both models
- Stows neatly in custom slot
- Dishwasher safe
- Non-skid feet



### Stainless Steel Utensil Bins

8" model also includes 3 bins that are easy to remove for cleaning (UCSS-46, Ctn Qty 50)

Double-sided magnetic bar with a total of 31.5" of knife storage (fits blades up to 9" long)

Round insert holds a set of six steak knives

Open bottom shelf provides additional storage

Patented\* front mounting bracket eliminates excessive side-to-side movement and sag, yet is hidden for a clean look

Bottom slides are concealed undermount slides, and the top is a 225 lb slide for added support and weight bearing (pre-installed)

	Width	Depth	Height	Minimum Opening	Standard Cabinet Size	Weight Capacity	Ctn Qty
KBPO-5SC	5"	22"	24"	5-1/2"	9" base	100 lb	1
KBPO-8SC	8"	22"	24"	8-1/2"	12" base	100 lb	1

**Recommended screw:** screws included

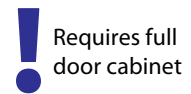
# Base Cabinet Organization: "No Wiggle" Utensil Pullout



- Convenient storage of kitchen utensils
- Included 4 stainless steel bins are sturdy and easy to remove for cleaning
- Open bottom shelf for additional storage
- Built on our "No Wiggle" platform
- Patented\* top mounting bracket eliminates excessive side-to-side movement and sag, yet is hidden under the first shelf for a clean look
- Bottom slides are concealed undermount slides, and the top is a 225 lb slide for added support and weight bearing (pre-installed)
- Patented\* integrated 6-way adjustable door-mounting brackets allow for easy mounting of door
- Frameless Friendly! Works in both face frame and frameless applications
- Ships fully assembled making installation a breeze



9,661,924 & 9,723,922  
10,028,581 & 10,251,480



	Width	Depth	Height	Min. Opening	Standard Cabinet Size	Weight Capacity	Ctn Qty
UBPO-5SC <b>NEW</b>	5-1/2"	22"	24"	5-1/2"	9" base	100 lb	1
UBPO-8SC	8-1/2"	22"	24"	8-1/2"	12" base	100 lb	1

**Recommended screw:**

**Screws included**



## Replacement Utensil Bins Ctn Qty

UCSS-46	Replacemet bins for UBPO series	50
---------	---------------------------------	----

# Base Cabinet Organization: "No Wiggle" Drawer Base Pullout



*Fits below a drawer!*

- Shorter height fits below drawer
- Built on our "No Wiggle" platform
- Patented\* top mounting bracket eliminates excessive side-to-side movement and sag, yet is hidden under the first shelf for a clean look
- Bottom slides are concealed undermount slides, and the top is a 225 lb slide for added support and weight bearing (pre-installed)
- Patented\* integrated 6-way adjustable door-mounting brackets allow for easy mounting of door
- One adjustable shelf included
- Frameless Friendly! Works in both face frame and frameless applications
- Ships fully assembled making installation a breeze



9,661,924 & 9,723,922  
10,028,581 & 10,251,480



	Width	Depth	Height	Min. Opening	Standard Cabinet Size	Weight Capacity	Ctn Qty
DBPO-5SC	5-1/2"	22"	20"	5-1/2"	9" base	100 lb	1
DBPO-8SC	8-1/2"	22"	20"	8-1/2"	12" base	100 lb	1

**Recommended screw:** *Screws included*



## Extra Rails

	Ctn Qty
RAIL-17-PC Extra rail for BPO series	50

# Base Cabinet Organization: "No Wiggle" Tray Divider Pullout



Built on our "No Wiggle" platform  
Patented\* top mounting bracket eliminates excessive side-to-side movement and sag

Removable center rack and adjustable dividing bars allows for easy and versatile customization of storage needs

Patented\* integrated 6-way adjustable door-mounting brackets allow for easy mounting of door

Frameless Friendly! Works in both face frame and frameless applications

Non-slip bottom mat keeps items secure and minimizes noise



9,661,924 & 9,723,922  
10,028,581 & 10,251,480



Also great for foil, plastic wrap and bag storage



	Width	Depth	Height	Min. Opening	Standard Cabinet Size	Weight Capacity	Ctn Qty
BPOTD2-5SC	5"	22-1/4"	17-9/16"	5-1/2"	9" base	100 lb	1
BPOTD2-8SC	8"	22-1/4"	17-9/16"	8-1/2"	12" base	100 lb	1

**Recommended screw: #8 flat head**

# Base Cabinet Organization: "No Wiggle" Base Filler Pullout



- Used in 3" and 6" wide base cabinet applications
- Installs in dead space between base cabinets
- Built on our "No Wiggle" platform
- Patented\* top mounting bracket eliminates excessive side-to-side movement and sag, yet is hidden under the first shelf for a clean look
- Patented\* integrated 6-way adjustable door-mounting brackets allow for easy mounting of door
- Two adjustable shelves included
- Frameless Friendly! Works in both face frame and frameless applications
- Ships fully assembled making installation a breeze



9,661,924 & 9,723,922  
10,028,581 & 10,251,480



BFPO2-6SC

	Width	Depth	Height	Min. Opening	Weight Capacity	Ctn Qty
BFPO2-3SC	3-1/2"	23"	30"	3-1/2"	100 lb	1
BFPO2-6SC	6-1/2"	23"	30"	6-1/2"	100 lb	1

**Recommended screw: #6 face frame**



BFPO2-3SC

# Base Cabinet Organization: Peg Board Filler Pullout

This organizer takes the wasted space between cabinets and converts it into a customizable organized space. Organize everything from pots and pans to big utensils with the variety of included hooks.



Features our popular 303FUSFT Series Dura-Close™ full extension soft-close 100 lb ball bearing slides (pre-installed)

Each pullout comes with an assortment of pegs and hooks (12 pegs, 12 single hooks, 6 double hooks)

Additional hook packs are available for purchase (3 hooks/pack)

Available in 2 width options

Stainless steel pegboard is easy to clean and magnetic

Edgewise birch plywood construction with clear UV finish

**!** Can be mounted left- or right-handed



Extra Peg  
BFPOSS-PEG



Extra Single Hook  
BFPOSS-S3



Extra Double Hook  
BFPOSS-D3



Chrome Rail  
RAIL-17-PC

	Width	Depth	Height	Min. Opening	Weight Capacity	Ctn Qty
BFPOSS3	3"	23"	30"	3"	100 lb	1
BFPOSS6	6"	23"	30"	6"	100 lb	1

**Recommended screw: #8 flat head**

<b>Extra Hardware</b>		Ctn Qty
BFPOSS-D3	Double hooks	3 hooks/bag
BFPOSS-S3	Single hooks	3 hooks/bag
BFPOSS-PEG	Single pegs	3 pegs/bag
RAIL-17-PC	Chrome rail	50 rails

# Base Cabinet Organization: Appliance Lift

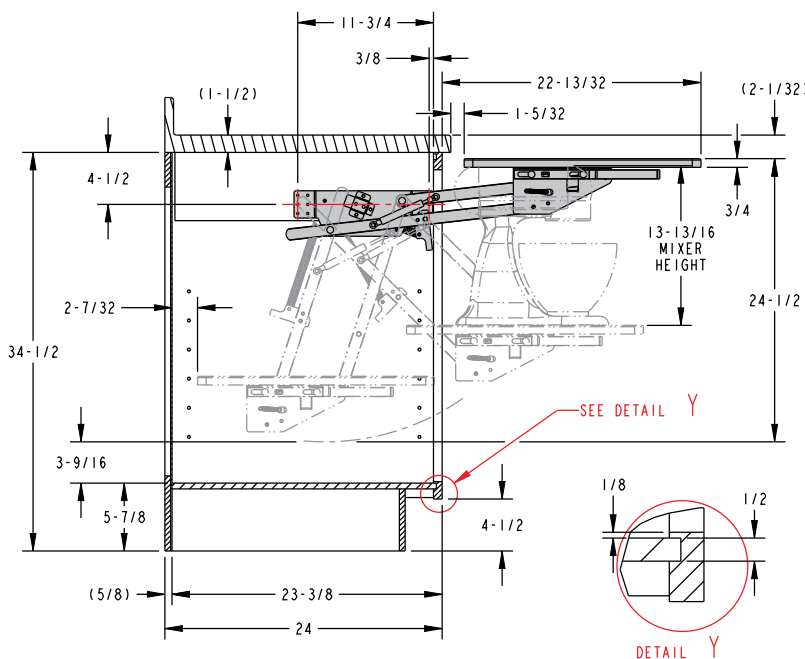


Scan to watch the installation video  
<http://delivr.com/2NR58>

- Provides mechanical assistance for heavy appliances such as a mixer
- Features soft-close dampers for smooth closing
- Can be used in both frameless and face frame cabinetry
- Shelf (not included) can be custom fit to any cabinet size
- Three spring settings for up to 45 lb capacity



Pair with a wire pullout basket (MBPO series shown) to store appliance supplies and accessories



	Weight Capacity	Opening	Ctn Qty
ML-1CH	45 lb	12" min. 24" max.	1

**Recommended screw:** #8 pan head screws for mounting to cabinet included

Shelf material is not included. Shelf should be a minimum of 3/4" thick and no longer than 20-1/2" in length.

Shelf width is determined by measuring between the side mounting brackets minus 1-1/4". Mount shelf with at least 8 suggested #8 x 1/2" wood screws (not provided) to mounting brackets.

# Base Cabinet Organization: Easy-to-Install Rollout Drawers



**Skip the *measure...design...wait...* process**

- Order rollout drawers that are **IN STOCK**
- Ships same day – Receive it in 2-3 days
- Ships fully assembled
- Easily and quickly installs with four screws (included)
- For existing cabinets or new construction
- Designed to fit standard cabinet sizes



	Width	Depth	Height	Bottom	Minimum Opening	Standard Cab. Size	Weight Capacity
RO12-WB	10-1/4"	21-1/4"	7"	1/4"	11-1/2"	15" base	100 lb
RO15-WB	13-1/4"	21-1/4"	7"	1/4"	14-1/2"	18" base	100 lb
RO18-WB	16-1/4"	21-1/4"	7"	1/4"	17-1/2"	21" base	100 lb
RO21-WB	19-1/4"	21-1/4"	7"	1/4"	20-1/2"	24" base	100 lb
RO24-WB	22-1/16"	21-1/4"	7"	1/2"	23-1/2"	27" base	100 lb
RO27-WB	25-1/16"	21-1/4"	7"	1/2"	26-1/2"	30" base	100 lb
RO33-WB	31-1/16"	21-1/4"	7"	1/2"	32-1/2"	36" base	100 lb
ROVHB12-WB	10-1/16"	18-7/16"	9"	1/4"	11-1/2"	15" vanity	100 lb
ROVHB15-WB	13-1/16"	18-7/16"	9"	1/4"	14-1/2"	18" vanity	100 lb
ROVHB18-WB	16-1/16"	18-7/16"	9"	1/4"	17-1/2"	21" vanity	100 lb



Beautiful White Birch dovetail boxes with UV coating  
 Drawer boxes are built in our plant in the USA  
 Featuring concealed undermount 3/4 extension soft-close slides

## For your Bath

- Reclaim the space in bathroom cabinets
- 18" depth designed for bath cabinets
- Use multiple rollouts for wide cabinets

### High-Back Drawers - 8" Back & 3" Front Drawer Height



For 12" opening  
ROVHB12-WB



For 15" opening  
ROVHB15-WB



For 18" opening  
ROVHB18-WB



ROVHB15-WB & ROVHB12-WB shown in use



# Base Cabinet Organization: Easy-to-Install Rollout Drawers

## For your Kitchen

### Rollout Drawers - 6" Drawer Height



For 12" opening  
RO12-WB



For 15" opening  
RO15-WB



For 18" opening  
RO18-WB



For 21" opening  
RO21-WB



For 24" opening  
RO24-WB  
1/2" bottom panel



For 27" opening  
RO27-WB  
1/2" bottom panel



For 33" opening  
RO33-WB  
1/2" bottom panel



## It's That Easy!



### 1 Measure

Measure the cabinet's interior width, depth and height. Hold your tape parallel to the cabinet's walls. Note any pipes, shelves, or hinges that may affect actual available space.



### 2 Set

Set your drawer base in place making sure you can open and close the cabinet door easily.



### 3 Secure

Using your Phillips screwdriver (or drill) and the screws provided, secure your organizer base. Place the drawer back on the base, and you're all done!

### All you need:

Phillips Screwdriver



Cordless Drill



OR

Measuring Tape



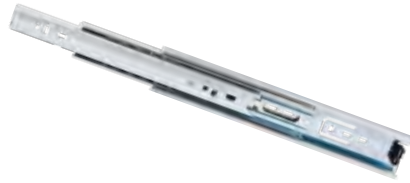
Scan to watch the product video  
<http://delivr.com/2uf4p>



# Base Cabinet Organization: Build your Own Rollouts



Rollout Box



Drawer Slide



QuickTray Pilaster System



## CUSTOMIZED STORAGE SOLUTIONS

### **Maximize your kitchen with custom storage solutions.**

*Our custom order-to-size rollouts are manufactured in our plant in Louisiana. Add our best-selling Dura-Close® drawer slides and our QuickTray pilaster system, and you can create custom storage solutions for your customers. Great for pantries, pot and lid storage, small kitchen appliances and miscellaneous kitchen wares. Customizable for any size cabinet, existing or new construction.*



*Pots & Lids*



*Pantry*



# Base Cabinet Organization: Quick Tray Pilaster System



- » System only requires four simple components
- » Overall height is 20-1/8"
- » Vertical adjustment of shelves in increments of 1-1/4"
- » No tools necessary for shelf adjustments
- » Front spacing lip allows for offset behind the face frame
- » Supports are non-handed for easy installation
- » Frameless application can be mounted with wood or euro screws
- » Face frame application can be fastened with staples or wood screws
- » Can be factory installed or added to existing cabinets

### Pilasters:

Maple	B512-01	1-1/4" Pilaster System Pack, clear-coated maple pilaster with beige insert
	5 pc/ctn	Pack Includes: 4 pilasters, 8 hook dowels and 16 screws
White	B500-00	Quick Tray 1" Pilaster bulk pack
	100 pc/ctn	Pack Includes: 100 pilasters, 200 hook dowels and 200 screws
White	B520-00	1" Pilaster System Pack
	20 pks/ctn	Pack Includes: 4 pilasters, 8 hook dowels and 8 screws
Beige	B521-00	1-1/4" Pilaster System Pack
	20 pks/ctn	Pack Includes: 4 pilasters, 8 hook dowels and 8 screws
Beige	B520-01	1" Pilaster System Pack
	20 pks/ctn	Pack Includes: 4 pilasters, 8 hook dowels and 8 screws
Beige	B521-01	1-1/4" Pilaster System Pack
	20 pks/ctn	Pack Includes: 4 pilasters, 8 hook dowels and 8 screws

*Use with any slide:*

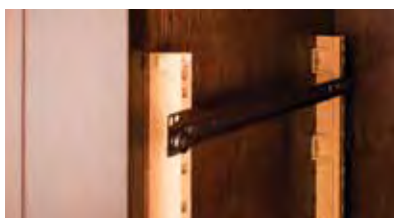
### UNDERMOUNT






### BALL BEARING



### EPOXY



### Accessories:

White	530117	7/8" Plastic Spacer with 1-3/8" CC holes	
	2000 pc/ctn	1-7/8" overall width	
Beige	EXE001	3/4" Spacer with 32 mm holes	
	2000 pc/ctn		
Zinc	T-506	Hook Dowels for ball bearing slides	
	1000 pc/ctn	(sold individually)	
Zinc	T-508	Hook Dowels for undermount slides	
	1000 pc/ctn	(sold individually)	



# Base Cabinet Organization: Custom Rollout Accessories

## Slide Mounting Kit for Ball Bearing Slides



Custom dovetail drawer boxes,  
303FU drawer slide and SLIDE-KIT shown in use



4 Zinc L-brackets & slide  
attachment screws

SLIDE-KIT  
50 pks/ctn

**Recommended screw: #6 pan head**

Perfect for rollout drawers - allows you to  
mount slides directly to cabinet floor or  
fixed shelf

Will fit 301FU series and 303FU series ball  
bearing slides as well as USE series  
undermount slides

Threaded collars mean secure attachment using  
only a screwdriver

Screws for mounting to slides included

#6 pan head screw suggested for installation to cabinet floor



# Base Cabinet Organization: Custom Rollout Accessories

Cabinet  
Organizers

## Rear Mounting Bracket for Undermount Slides



Custom dovetail drawer boxes, Quick Tray Pilaster System, USE58-100 drawer slide and USE-RMB shown in use



1 pair brackets &  
attachment screws

USE-RMB  
250 pks/ctn

**Recommended screw:**

**included**

Attach rear mounting block to the back of the shelf  
instead of notching and boring

For use with USE58-500, USE58-300 or USE58-50  
undermount slides

Maximum apron thickness 16mm (5/8") for our  
USE58 series slides

One pair of our drawer clips are required per shelf

Installation screws are provided

# Base & Wall Organization: Dovetail Drawer Boxes



## Ordering specifications:

- Standard Drawer, Rollout, or High-Back Rollout Boxes
- Assembled or Unassembled
- Standard Heights with Custom Depth & Width
- 1/4" Standard or 1/2" Bottom
- Optional Universal Notch for Undermount Slides
- Optional Undermount Slide Clip factory installed

Easy Online Ordering & Instant Price Quoting

See website for details

## Production and delivery:

- Competitive pricing
- Standard 7 Day Turnaround after order confirmation
- Quick-to-Ship production on qualifying states



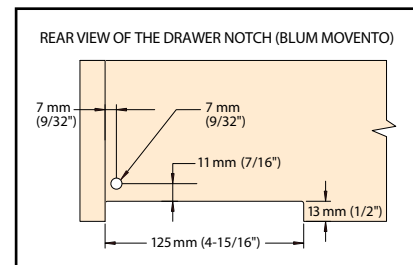
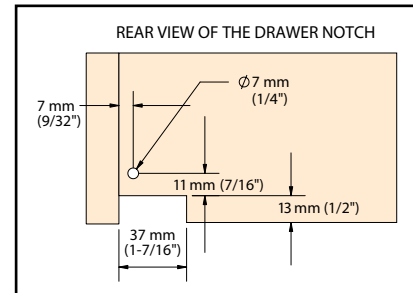
- A** 5/8" Hard Maple ..... UV Coated or Unfinished
- B** 5/8" Aspen ..... UV Coated
- C** 5/8" White Birch, Imported, Finger Jointed..... UV Coated
- D** 1/2" Birch Plywood ..... UV Coated or Unfinished
- E** 1/2" Birch Plywood Edgebanded ..... UV Coated
- F** 5/8" Rustic White Birch, Imported, Finger Jointed.. UV Coated
- G** 5/8" Rubberwood, Imported, Finger Jointed ..... UV Coated

HEIGHT OPTIONS	2"	2.5"	3"	3.5"	4"	5"	6"	7"	8"	9"	9.5"	10"	11"	12"
1/2" Birch Plywood	x	x	x	x	x	x	x	x	x	x	x	x	x	x
1/2" Edgebanded Plywood		x	x		x	x	x	x	x	x		x	x	
5/8" Hardwoods	x	x	x	x	x	x	x	x	x	x	x	x	x	x
High-Back (all species)							x	x	x	x	x	x	x	x

\*All high-back drawers will have a 3" front and a scoop cutout on the front face. 6" minimum height.

SIZING	Min. Depth	Max Depth	Min. Width (without clips)	Min. Width (with 4 & 6-way clips)	Min. Width (with 2-way clips)	Max Width	Min. Height
Standard Drawer							
5/8" Material	7"	51"	6"	7-1/4"	6-1/4"	51"	2"
1/2" Material	7"	51"	6"	7"	6"	51"	2"
Rollout Drawer							
5/8" Material	7"	51"	6"	7-1/4"	6-1/4"	51"	2"
1/2" Material	7"	51"	6"	7"	6"	51"	2"
High-Back Rollout							
5/8" Material	12"	51"	5-1/2"	7-1/4"	6-1/4"	51"	6"
1/2" Material	12"	51"	5-1/2"	7"	6"	51"	6"

Drawer boxes are manufactured in the USA by Hardware Resources. Hard Maple and Aspen are North American hardwoods. White Birch, Rustic White Birch, and Rubberwood are imported A/B grade hardwood, laminated & finger jointed. Birch plywood is Carb Compliant 9-ply high density plywood with no internal voids. UV cured coating is 100% solid and contains no VOC. Each UV coated piece is double coated to ensure a lasting finish.





# Base & Wall Organization: Dovetail Drawer Boxes



High-Back Rollout  
(minimum 6" height)



Rollout

## Complimentary High Definition Laser Engraving on Hardwood Boxes

- Upcharge per box for plywood only
- Simply provide a high-resolution file of your logo. We'll do the rest!
- Accepted file types are EPS, AI, PDF, PSD, JPEG, TIFF
- Maximum logo size is 1-1/2" tall x 6" long
- Minimum box height for engraving is 3"
- Not available on high-back rollouts or boxes over 24" deep
- Placed on the front left inside edge of the box
- One logo per customer. Logos are kept on file for future orders
- *Don't have a logo? Choose from our preselected fonts to customize your company name*



## Drawer Box Linear Material



### White Birch, Finger Jointed

	Height	Thickness	Coating	Ctn Qty
DW58X030	3"	5/8"	UV Coated	80LF
DW58X035	3-1/2"	5/8"	UV Coated	80LF
DW58X040	4"	5/8"	UV Coated	80LF
DW58X060	6"	5/8"	UV Coated	40LF
DW58X080	8"	5/8"	UV Coated	40LF
DW58X100	10"	5/8"	UV Coated	40LF

White Birch drawer box linear material is sold in 8' lengths in full carton quantity only



### Aspen

	Height	Thickness	Coating	Ctn Qty
DA58X030	3"	5/8"	UV Coated	80LF
DA58X040	4"	5/8"	UV Coated	80LF
DA58X060	6"	5/8"	UV Coated	72LF
DA58X080	8"	5/8"	UV Coated	56LF
DA58X100	10"	5/8"	UV Coated	56LF

Aspen drawer box linear material is sold in random lengths of 5' - 8'

---

# BATHROOM ORGANIZATION

---



Wire Basket Pullout  
Page 383





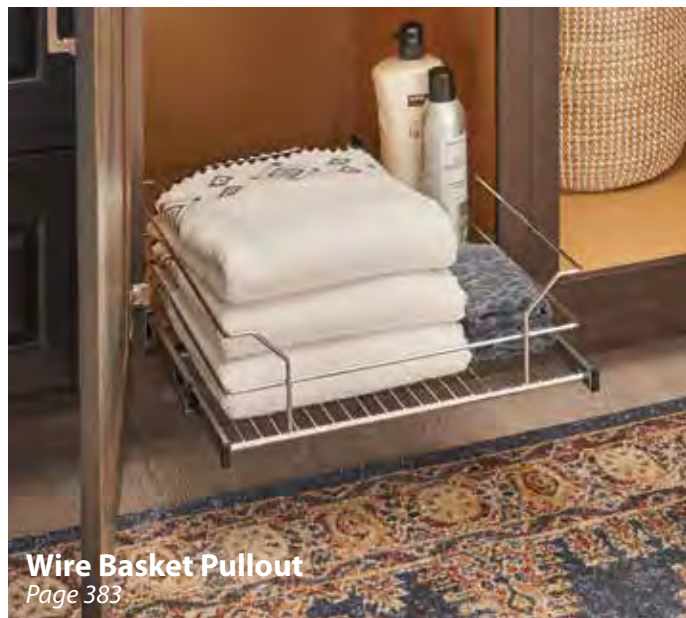
**"No Wiggle" Vanity Pullout**  
Pages 380-381

## Bathroom Cabinet Organization

An organized bathroom is just as important as an organized kitchen. Getting ready for the day in an organized bathroom helps to eliminate stress and save time. These organizers help transform a bathroom from clutter to clarity.



**Cleaning Caddy**  
Page 382



**Wire Basket Pullout**  
Page 383

## Not Just for the Kitchen

An organized bathroom is just as important as an organized kitchen. Getting ready for the day in an organized bathroom helps to eliminate stress and save time. These organizers help transform a bathroom from clutter to clarity.



### **1** DRAWER INSERTS

Our drawer inserts aren't just for the kitchen. Repurpose a cutlery organizer for makeup or personal grooming items or use a space drawer insert to keep nail polish organized.

*See pages 418-425 for full product offering*

### **2** TOWEL RACK

Add a designated spot to hold hand towels hidden away in the cabinet with a door mountable towel rack. Tiered design allows for free air movement to help dry damp towels.

*See page 456 for more information*

### **3** ROLLOUT DRAWERS

Add convenience of a drawer to any cabinet with our soft-close rollouts. Beautiful solid wood birch rollouts to match cabinet interiors. Can be added to cabinet bottom and/or shelf.

*See pages 366-368 for full product offering*



#### **4 DOOR MOUNTED RACK**

A door mounted rack in a bathroom vanity can keep bottles of beauty products and cans of spray tidy.  
*See pages 438-439 for more information*

#### **5 "NO WIGGLE" VANITY PULLOUT**

Customize bathroom storage with a vanity pullout featuring premium soft-close undermount slides. The unit's shortened height and depth is designed to fit into bathroom vanity cabinets. A modular design allows for the addition of an optional grooming organizer or acrylic tray divider.  
*See pages 380-381 for more information*



## Get the Look

### **1** WIRE BASKET ROLLOUT

Wire basket rollouts are perfect for bath cabinets. Install to the cabinet bottom or a fixed shelf to bring items within easy reach.  
*See page 445 for more information*

### **2** SPICE RACK

A door-mounted spice rack in a bath can keep bottles of beauty products and cans of spray tidy.  
*See pages 438-439 for more information*



### **3** DRAWER INSERTS - CUTLERY

Cutlery drawer organizers can double as dividers for brushes, combs, toothbrushes, tubes of toothpaste, and more.  
*See pages 423-425 for more information*

### **4** DRAWER INSERTS - SPICE TRAY

The spice tray insert's tiered racks keep bottles, brushes and tube from rolling around in the drawer.  
*See page 427 for more information*

### **5** TRASH CAN PULLOUT

Every bathroom needs a trashcan, so tuck it out of sight with a trash can pullout.  
*See page 344 for full product offering*

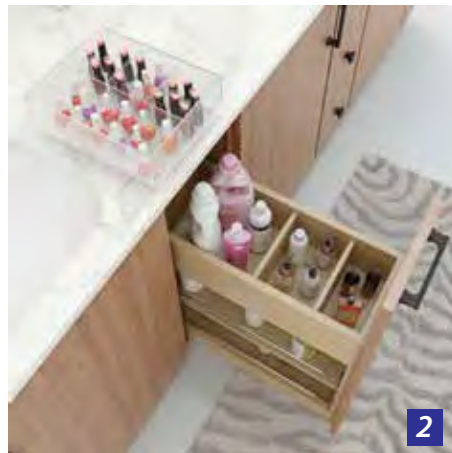
### **6** TOWEL RACK

An over-the-door towel rack is perfect for damp cloths and towels.  
*See page 453 for more information*

### **7** CLEANING CADDY

Keep cleaning supplies or large bottles of beauty products easily accessible with the cleaning supply caddy.  
*See page 448 for more information*

# Bathroom Organization: "No Wiggle" Vanity Pullout



## Tame Bath Clutter

Vanity base pullouts are great for narrow bathroom cabinets. Made of high quality wood and built on our superior "No Wiggle" platform, these pullouts are designed to keep clutter at bay. *See page 358 for more information*

- 1** The base pullout features fixed top and bottom shelves and one adjustable middle shelf. Middle and bottom shelves feature chrome rails to keep items secure. Optional top insert accessories maximize storage.
- 2** The acrylic tray insert is perfect for nail polish, makeup or other small items. And it's removable, so it can be set on the countertop for even easier access.
- 3** Use the Grooming Insert to store hair dryers, curling irons and other hair appliances.



Shortened height and depth designed to fit into bathroom vanity cabinets

Patented\* hardware eliminates excess side-to-side movement

Modular design allows for the use of optional grooming organizer or acrylic tray

Smooth soft-close slides (pre-installed)

Adjustable dividers and shelf

Patented\* 6-way adjustable door mounting brackets allows for easy mounting of doors



9,661,924 & 9,723,922  
10,028,581 & 10,251,480

! Accessory inserts require full door cabinet



VBPO-G01



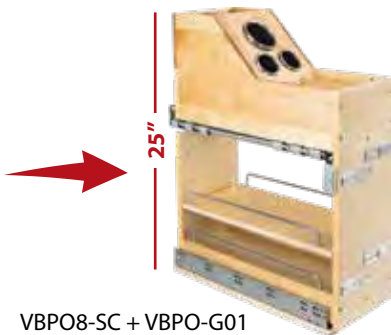
Use the pullout by itself or customize it with an accessory insert



VBPO-T01



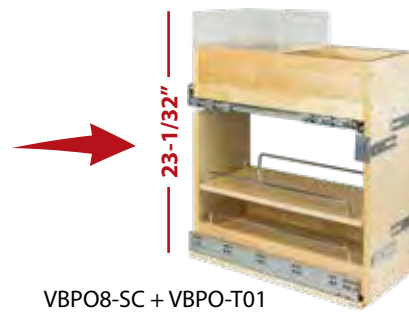
VBPO8-SC



VBPO8-SC + VBPO-G01  
\*total assembled height = 25"



VBPO8-SC



VBPO8-SC + VBPO-T01  
\*total assembled height = 23-1/32"

	Description	Width	Depth	Height*	Min. Opening	Standard Cabinet Size	Weight Capacity	Ctn Qty
VBPO8-SC	8" wide "No Wiggle" vanity pullout	8-1/2"	18-13/16"	19-7/8	8-1/2"	12" base	100 lb	1
VBPO-G01	Grooming organizer insert	8"	18-7/32"	9"	8-1/2"	12" base	-	1
VBPO-T01	Acrylic tray insert	8"	10-3/32"	3-7/16"	8-1/2"	12" base	-	1

Recommended screw:

Screws included

\*Total assembled height of Vanity Base Pullout with inserts is listed above

# Bathroom Organization: Powered Vanity

NEW



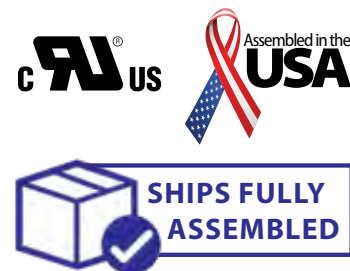




Convert a vanity drawer into a hair stylist workstation with our Powered Vanity Drawer. This dovetail drawer is equipped with a powered two plug receptacle. Hair appliances can stay plugged in and ready to go whenever you are. An automatic shut-off switch cuts power when the drawer is closed to ensure safe storage. Two stainless steel canisters hold appliances and an additional caddy on the top keeps all grooming items together. The drawer comes fully assembled with slides and power cord management hardware attached and ready for installation. Add glamour and convenience to every bathroom suite with this powered vanity organizer.

- Max AC Current: 15 amps @ 120 VAC
- Dual power receptacle
- Removable caddy tray
- Soft-close, synchronized, undermount slides
- Steel canister storage bins
- Automatic power shutoff when drawer is closed
- 8 ft power cord with NEMA 5-15 right angle plug
- Design to fit 15" wide vanity drawer opening

UL Recognized to UL962/CSA C22.2 No. 0:20 | Patent Pending



	Description	Width	Depth	Height*	Min. Opening	Standard Cabinet Size	Weight Capacity	Ctn Qty
PVGD15-SC	15" powered vanity drawer	15"	19-23/32"	8-23/32"	15"	18" vanity base	100 lb	1

**Recommended screw:** \_\_\_\_\_ **Screws included**

# Bathroom Organization: Wire Cleaning Supply Caddy



- Ergonomic plastic handle
- Removable caddy keeps cleaning supplies organized
- Holds a variety of bottles and boxes
- Mounts easily under your sink, left- or right-handed
- Simply pick it up and take it with you
- Plastic liner tray catches drips
- Full extension ball bearing slides
- Heavy duty wire construction
- 25 lb capacity
- Quickly mounts to cabinet floor using four screws (included)



	Description	Finish	Width	Depth	Height	Min. Opening	Fits Standard Cabinet Size	Weight Capacity	Ctn Qty
SCPO2-R	Cleaning Caddy Pullout	Polished Chrome	11-5/8"	19-11/16"	15-15/16"	11-5/8"	15" – 18" base	25 lb	2

# Bathroom Organization: Wire Basket Rollout

Cabinet  
Organizers



SHIPS FULLY  
ASSEMBLED

- Great for organizing your cookware or pantry
- Full extension ball bearing slides
- Heavy duty wire construction
- Quickly mounts to cabinet floor or fixed shelf using four screws (included)



	Description	Finish	Width	Depth	Height	Min. Opening	Fits Standard Cabinet Size	Weight Capacity	Ctn Qty
MBPO15-R	Pullout Basket	Polished Chrome	11-3/8"	19-11/16"	6-3/16"	11-1/2"	15" base	50 lb	3
MBPO18-R	Pullout Basket	Polished Chrome	14-3/8"	19-11/16"	6-3/16"	14-1/2"	18" base	50 lb	3
MBPO21-R	Pullout Basket	Polished Chrome	17-3/8"	19-11/16"	6-3/16"	17-1/2"	21" - 24" base	50 lb	3

---

# CORNER ORGANIZATION

---



**Storage with Style® Blind Corner Pullout**  
Pages 330-331



**Blind Corner Swingout**  
Pages 386-387



**Blind Corner Sliding Door**  
Pages 388-389



**Easy 360 Susan**  
Pages 390-391

## Blind Corner Organization

With Hardware Resources' blind corner organizers, previously unused cabinet space is a thing of the past. Blind corner organizers bring forward items stored in the far back corner. Our Easy 360 Susan is a fresh and updated corner solution that is a hybrid of a lazy susan and pullout shelves.



**Premium Wood Lazy Susan**  
Pages 394-395



**Economy Plastic Lazy Susan**  
Page 403



**Half-moon Lazy Susan**  
Page 405

## Lazy Susan Corner Organization

Hardware Resources' line of lazy susan corner organizers include tried-and-true round and kidney options in plastic and wood.

# Blind Corner Organization: Swingout



Scan to watch the installation video  
<http://delivr.com/288f6>



BCSO215PCMP-LH  
Maple non-slip shelf



BCSO215PCWD-LH  
Walnut textured non-slip shelf



BCSO215BOWD-LH  
Walnut textured non-slip shelf

Sold as a complete unit in left- or right-handed versions for full-height base cabinets

Metal edging finishes coordinate with popular decorative hardware finishes

Easy installation – no need to drill into the side walls, mounts directly to cabinet floor with optional top mounting for additional stability

Installation instructions and mounting hardware included

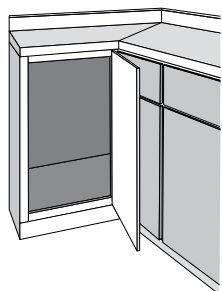


BCSO215PCWH-LH  
White non-slip shelf

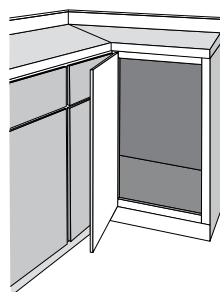


BCSO215GWH-LH  
White smooth shelf

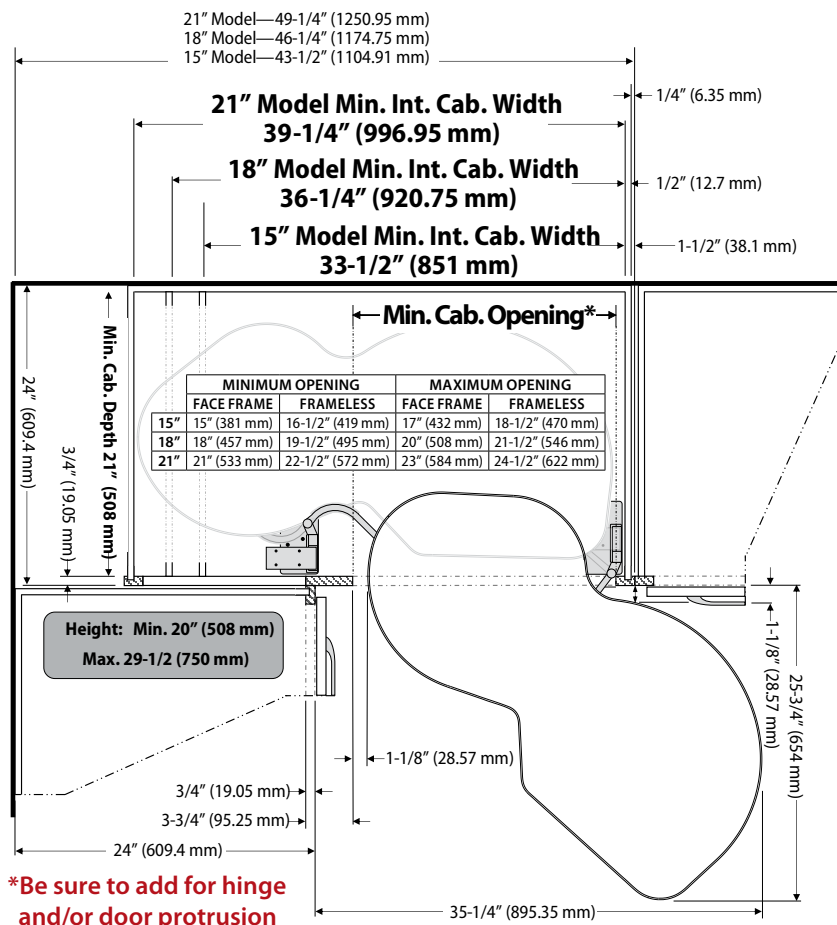
## Do I need Left Hand or Right Hand?



**Left Hand** blind corners have the opening on the **left**.



**Right Hand** blind corners have the opening on the **right**.



Left Handed	Right Handed	Frame Color	Shelf Bottom/Edging	Shelf Dimensions	Weight Capacity	Ctn Qty
<b>PREMIUM OPTIONS - NON-SLIP COATED SHELVES, PLATED EDGING</b>						
BCSO215BOWD-LH	BCSO215BOWD-RH	Oil Rubbed Bronze	Walnut/Oil Rubbed Bronze	31-1/2" x 14-1/4"	90 lb	1
BCSO215PCMP-LH	BCSO215PCMP-RH	Grey	Maple/Polished Chrome	31-1/2" x 14-1/4"	90 lb	1
BCSO215PCWD-LH	BCSO215PCWD-RH	Grey	Walnut/Polished Chrome	31-1/2" x 14-1/4"	90 lb	1
BCSO215PCWH-LH	BCSO215PCWH-RH	Grey	White/Polished Chrome	31-1/2" x 14-1/4"	90 lb	1
BCSO218BOWD-LH	BCSO218BOWD-RH	Oil Rubbed Bronze	Walnut/Oil Rubbed Bronze	32-13/16" x 16-3/4"	90 lb	1
BCSO218PCMP-LH	BCSO218PCMP-RH	Grey	Maple/Polished Chrome	32-13/16" x 16-3/4"	90 lb	1
BCSO218PCWD-LH	BCSO218PCWD-RH	Grey	Walnut/Polished Chrome	32-13/16" x 16-3/4"	90 lb	1
BCSO218PCWH-LH	BCSO218PCWH-RH	Grey	White/Polished Chrome	32-13/16" x 16-3/4"	90 lb	1
BCSO221BOWD-LH	BCSO221BOWD-RH	Oil Rubbed Bronze	Walnut/Oil Rubbed Bronze	37-7/16" x 18-3/8"	90 lb	1
BCSO221PCMP-LH	BCSO221PCMP-RH	Grey	Maple/Polished Chrome	37-7/16" x 18-3/8"	90 lb	1
BCSO221PCWD-LH	BCSO221PCWD-RH	Grey	Walnut/Polished Chrome	37-7/16" x 18-3/8"	90 lb	1
BCSO221PCWH-LH	BCSO221PCWH-RH	Grey	White/Polished Chrome	37-7/16" x 18-3/8"	90 lb	1
<b>ECONOMY OPTIONS - SMOOTH FINISH SHELVES, POWDER COATED EDGING</b>						
BCSO215GWH-LH	BCSO215GWH-RH	Grey	White/Grey	31-1/2" x 14-1/4"	90 lb	1
BCSO218GWH-LH	BCSO218GWH-RH	Grey	White/Grey	32-13/16" x 16-3/4"	90 lb	1
BCSO221GWH-LH	BCSO221GWH-RH	Grey	White/Grey	37-7/16" x 18-3/8"	90 lb	1

# Blind Corner Organization: Sliding Door



- 4 heavy gauge chrome baskets
- 4 non-slip clear acrylic basket liners
- Heavy duty soft-close slides with 200 lb capacity
- Soft-close door damper
- Door mounting brackets with 6-way adjustment (in/out, up/down and left/right)
- Flexible mounting options: secure to side walls or top of cabinet with adjustable brackets
- Rear basket position is adjustable to accommodate different blind corner depths (from 30-7/8"-38")
- Universal design - mount it left- or right-handed
- For frameless cabinets - can be used in face frame with side wall blocking



*Also great for dishes & small appliances*



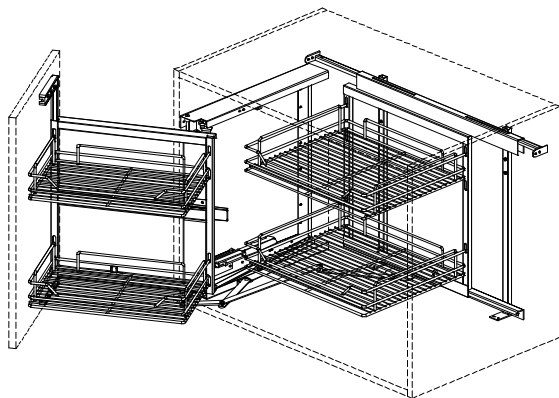
*Mount it with or without door attached.*



Scan to watch the  
installation video

<http://delivr.com/22w9g>



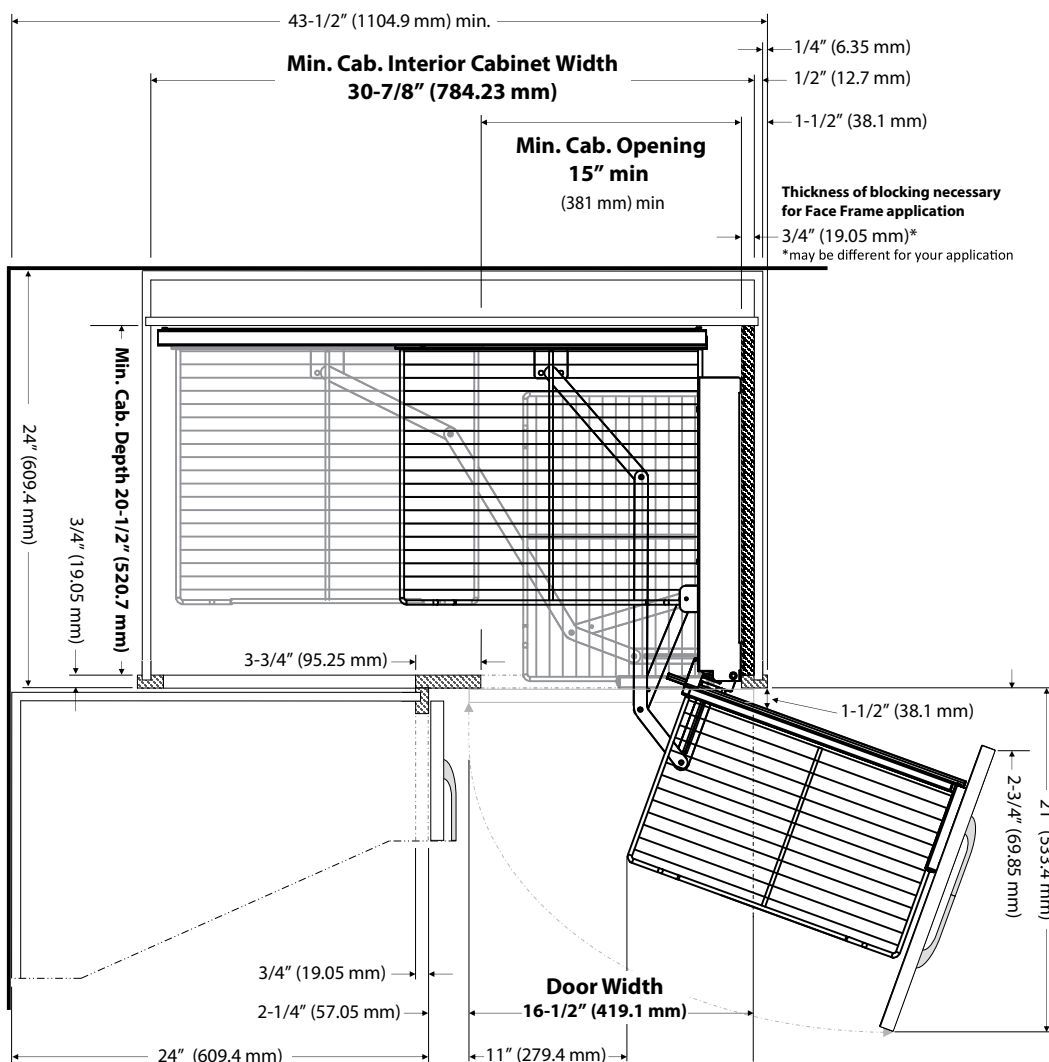


Large basket: 17-15/32" (456 mm) W x 15-1/2" (394 mm) D x 3-11/32" (85 mm) H

Small Basket: 17-5/32" (436 mm) W x 10-1/8" (257 mm) D x 3-11/32" (85 mm) H

	Width	Depth	Height	Cabinet Size	Weight Capacity	Ctn Qty
CS-SDCO	30-7/8– 38"	20-1/2"	21-5/8"	blind corner 15"–18" opening	200 lb	1

**Recommended screw: #6 pan head**



## Corner Organization: Easy 360 Susan

Transform the corner cabinet from cumbersome to a versatile usable space by combining the convenience of a drawer with the benefits of a lazy susan.



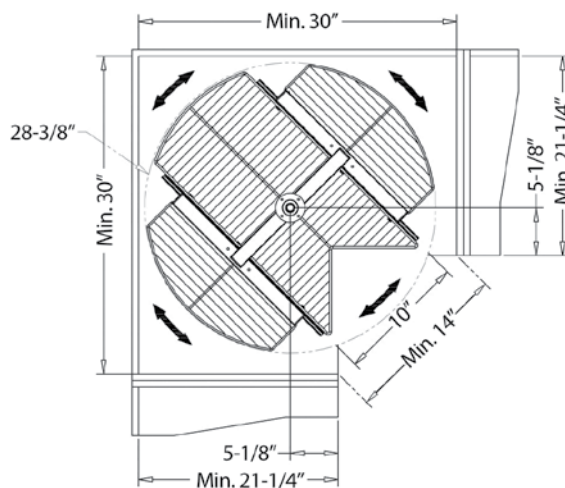
**360°**  
rotating



Scan to watch the  
installation video  
<http://delivr.com/2vcyq>



- 6 heavy gauge chrome baskets
- 6 non-slip clear acrylic basket liners
- Full circle 360 degree rotation, left or right
- Sliding center baskets are accessible from either front or back
- Heavy duty 175 lb total capacity
- Adjustable height 24" to 30" inches
- Both shelves rotate together

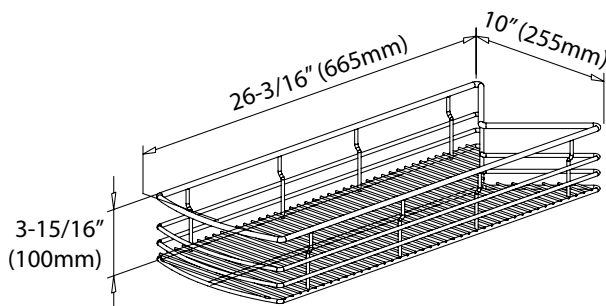
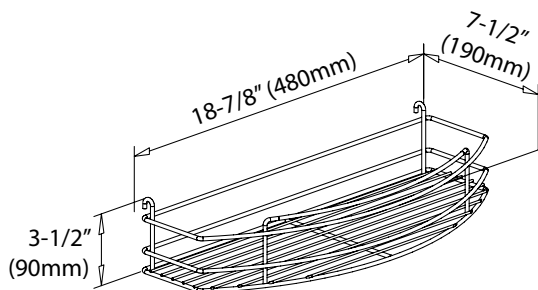


Cabinet requirements:  
 Diameter - 30"  
 Depth - 21-1/4"  
 Pie Cut diagonal opening\* - 14"

\*Be sure to add for hinge and/or door protrusion

	Diameter	Height	Cabinet Size	Min. Opening	Weight Capacity	Ctn Qty
CS-ES360	28-3/8"	24-13/16"-30"	30" corner	28-3/8"	175 lb	1

**Recommended screw: #6 pan head**





## *NEW* Blind Corner Pullout

All four baskets pull out of the cabinet opening for full access

Metal baskets are adjustable in height

Universal design for left or right-hand blind corners

Available in standard and full-height blind corner cabinets.

For full-height option, additional baskets can be added to make a 3-tier organizer.

Includes heavy-duty soft-close slides for smooth movement in and out of the cabinet (preinstalled)

Heavy-duty frame construction ensures organizer is stable when in motion

Acrylic liners add stability to baskets and are easy to clean





Black Nickel



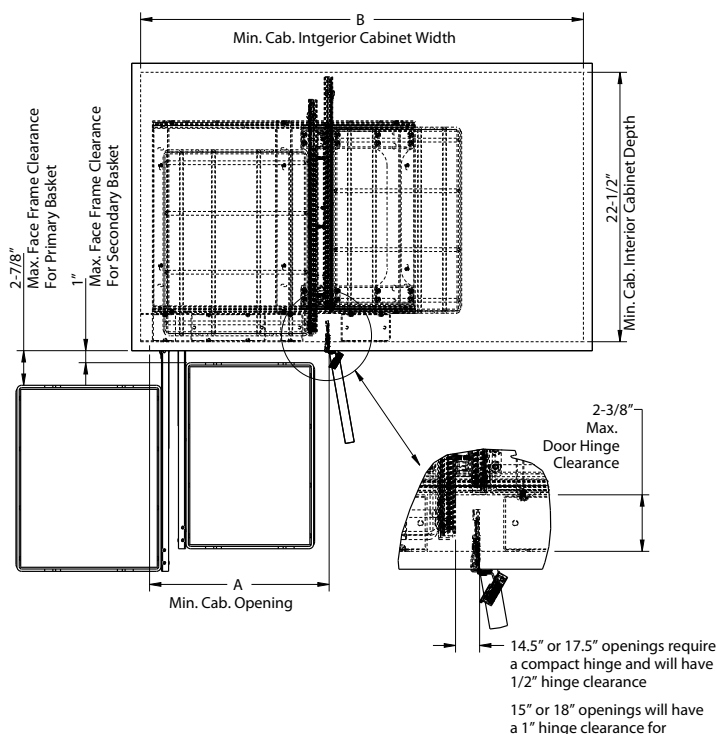
Polished Chrome

Description	Item Number	Frame Color	Width	Depth	Height	Standard Cabinet Size	Weight Capacity	Ctn Qty*
Blind Corner Organizer for Standard Height 15" Opening	SWS-BCS15BN	Black Nickel	26-13/16"	22-1/8"	20-9/16"	Blind Corner with drawer	130 lb	1
	SWS-BCS15PC	Polished Chrome	26-13/16"	22-1/8"	20-9/16"	Blind Corner with drawer	130 lb	1
Blind Corner Organizer for Standard Height 18" Opening	SWS-BCS18BN	Black Nickel	32-7/8"	22-1/8"	20-9/16"	Blind Corner with drawer	130 lb	1
	SWS-BCS18PC	Polished Chrome	32-7/8"	22-1/8"	20-9/16"	Blind Corner with drawer	130 lb	1
Blind Corner Organizer for Full Height 15" Opening	SWS-BCFH15BN†	Black Nickel	26-13/16"	22-1/8"	24-1/16"	Blind Corner - full height door	130 lb	1
	SWS-BCFH15PC†	Polished Chrome	26-13/16"	22-1/8"	24-1/16"	Blind Corner - full height door	130 lb	1
Blind Corner Organizer for Full Height 18" Opening	SWS-BCFH18BN†	Black Nickel	32-7/8"	22-1/8"	24-1/16"	Blind Corner - full height door	130 lb	1
	SWS-BCFH18PC†	Polished Chrome	32-7/8"	22-1/8"	24-1/16"	Blind Corner - full height door	130 lb	1
Pair of Extra Baskets for SWS-BCFH15 15" Opening	SWS-BCBAS15BN†	Black Nickel	12-3/16"	15-9/16"	3-9/16"	-	25 lb	1
	SWS-BCBAS15PC†	Polished Chrome	12-3/16"	15-9/16"	3-9/16"	-	25 lb	1
Pair of Extra Baskets for SWS-BCFH18 18" Opening	SWS-BCBAS18BN†	Black Nickel	15-3/16"	15-9/16"	3-9/16"	-	25 lb	1
	SWS-BCBAS18PC†	Polished Chrome	15-3/16"	15-9/16"	3-9/16"	-	25 lb	1

**Recommended screw:**

**screws included**

†Full height door required \*Ships in two boxes



	Door Opening Height	A	B
SWS-BCS15BN	20-9/16"	14.5"	27"
SWS-BCS15PC	20-9/16"	14.5"	27"
SWS-BCS18BN	20-9/16"	17.5"	33"
SWS-BCS18PC	20-9/16"	17.5"	33"
SWS-BCFH15BN	24-1/16"	14.5"	27"
SWS-BCFH15PC	24-1/16"	14.5"	27"
SWS-BCFH18BN	24-1/16"	17.5"	33"
SWS-BCFH18PC	24-1/16"	17.5"	33"

# Corner Organization: Premium Wood Lazy Susan Kits



Scan to watch the  
installation video  
<http://delivr.com/276SA>

# Corner Organization: Premium Wood Lazy Susan Kits

- Lazy susan shelf is made from birch plywood with UV finish
- Solid birch finger jointed rim
- Shelves have a 1" inside rim height and 1-5/8" overall height
- Independently rotating shelves
- Positive stop on kidney shelf units
- Chrome-plated pole with stylish chrome hubs featuring adjustable height
- Sold as complete set with shelves, poles, mounting hardware and instructions included

**Twist and Lock Pole  
for Easy Installation**



## Round

	# Trays	Diameter	Interior Cabinet Height	Min. Opening	Ctn Qty
LSR218-SET	2	18"	21-1/2"-37-1/4"	18"	1
LSR224-SET	2	24"	21-1/2"-37-1/4"	24"	1
LSR228-SET	2	28"	21-1/2"-37-1/4"	28"	1
LSR2318-SET	3	18"	31-1/2"-43"	18"	1

Weight Capacity: 20 lb per square foot



## Kidney

	# Trays	Diameter	Interior Cabinet Height	Min. Opening	Ctn Qty
LSK224-SET	2	24"	21-1/2"-37-1/4"	24"	1
LSK228-SET	2	28"	21-1/2"-37-1/4"	28"	1
LSK232-SET	2	32"	21-1/2"-37-1/4"	32"	1

Weight Capacity: 20 lb per square foot



# Corner Organization: Premium Wood Shelves & Poles



*Poles & Shelves  
Sold Separately*



# Corner Organization: Premium Wood Shelves & Poles



Constructed with strong 5/8" thick birch plywood base and 1" inside height solid birch finger jointed rim

Clear UV finish

Available with and without 1-1/2" center hole for shelf or pole installation

Shelves	Diameter	Height	Min. Opening	Ctn Qty
LSK24*	24"	1-5/8"	24"	4
LSK28*	28"	1-5/8"	28"	4
LSK32*	32"	1-5/8"	32"	4
LSK24H**	24" with hole	1-5/8"	24"	4
LSK28H**	28" with hole	1-5/8"	28"	4
LSK32H**	32" with hole	1-5/8"	32"	4

**Recommended screw: #6 pan head**

\*Weight Capacity: 20 lb per square foot

\*\* Weight Capacity: 30 lb



Heavy duty steel pole system for 2 kidney shelves, measures 16-1/2" in overall height with shelves installed

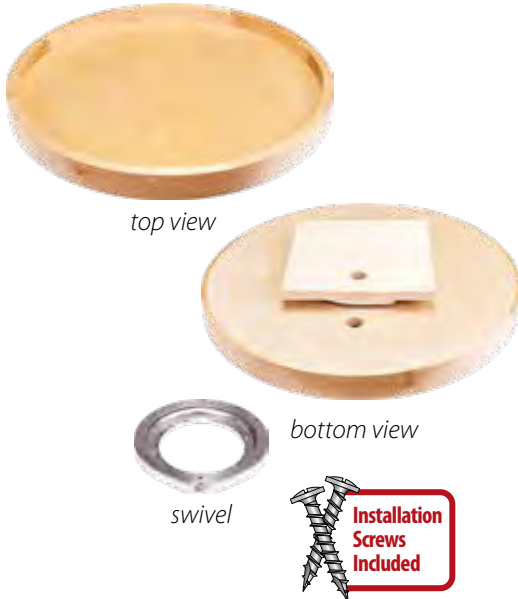
Kidney with 1-1/2" hole installs to bottom shelf, kidney without hole installs to top shelf – both shelves feature positive stop to self-align with pie corner

Powdercoated almond finish blends with wooden trays and matches most applications

Poles	Height	Ctn Qty
LSP2 (2 shelves)	16-1/2"	4

**Recommended screw: #8 pan head**

# Corner Organization: Premium Wood Swivel Lazy Susans



Lazy susan made from strong 5/8" birch plywood base with 1" inside height solid birch finger jointed rim, all with a clear UV finish

Preinstalled with a high quality cast aluminum swivel with solid steel bearings

Swivel is non-stop for continuous smooth revolutions

Easy to install, minimal installation time, 4 screws included

Matching color plastic cap included to cover installation hole in lazy susan

Round	Diameter	Shelf Height	Swivel Size	Min. Opening	Ctn Qty
LSR18-S	18"	1-5/8"	7"	18"	4
LSR24-S	24"	1-5/8"	7"	24"	4
LSR28-S	28"	1-5/8"	10"	28"	4

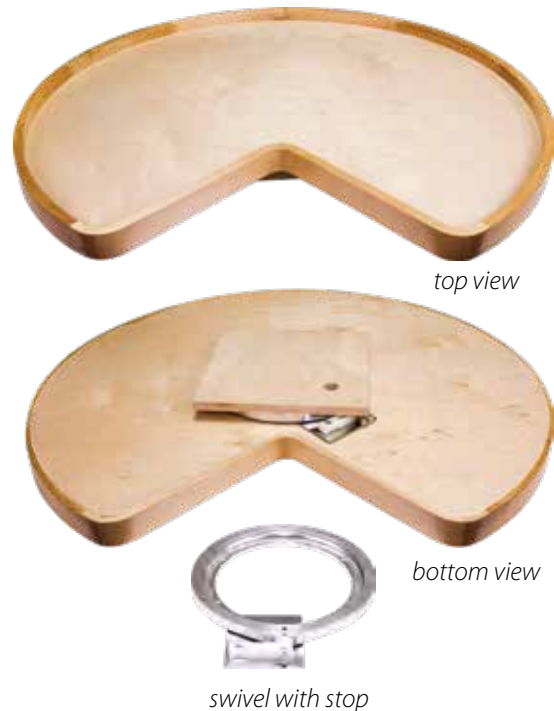
Weight Capacity: 20 lb per square foot

Lazy susan made from strong 5/8" birch plywood base with 1" inside height solid birch finger jointed rim, all with a clear UV finish

Preinstalled with a high quality cast aluminum swivel with solid steel bearings

360° swivel with stop

Easy to install, minimal installation time, 4 screws included



Kidney	Diameter	Shelf Height	Swivel Size	Min. Opening	Ctn Qty
LSK28-S	28"	1-5/8"	10" with stop	28"	4
LSK32-S	32"	1-5/8"	10" with stop	32"	4

Weight Capacity: 20 lb per square foot

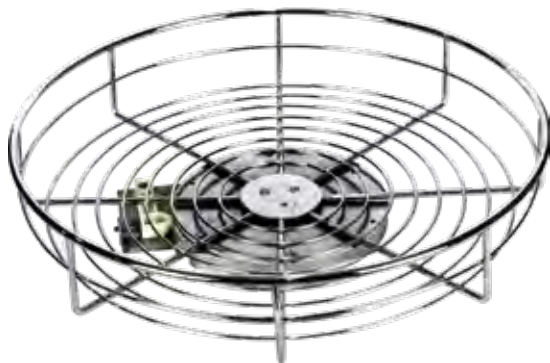
Scan to watch the installation video  
<http://delivr.com/2GNPF>



# Corner Organization: Economy Wire Swivel Lazy Susans

Cabinet  
Organizers

**360°**  
rotating



- 360 degree revolving tray
- Great for organizing dry goods and cans
- Fits 24" diagonal wall corner cabinet
- Heavy duty wire construction
- Quickly mounts to cabinet floor or fixed shelf using four screws (included)



	Description	Finish	Diameter	Height	Min. Opening	Fits Standard Cabinet Size	Weight Capacity	Ctn Qty
MLSR18-S-R	Single Shelf Lazy Susan	Polished Chrome	17-5/16"	3-13/16"	18"	24" diagonal wall corner	30 lb	1

# Corner Organization: Economy Banded Swivel Lazy Susans

Lazy susan made from birch plywood with clear UV finish  
 1" inside rim height and 1-9/16" overall height  
 Preinstalled with a steel swivel  
 Swivel is nonstop for continuous smooth revolutions  
 Easy to install, minimal installation time,  
 4 screws included  
 Matching color plastic cap included to  
 cover installation hole in lazy susan



top view



bottom view

## Round

	Diameter	Swivel Size	Min. Opening	Ctn Qty
BLSR18-S	18"	8"	18"	4
BLSR20-S	20"	8"	20"	4
BLSR24-S	24"	8"	24"	4
BLSR28-S	28"	9"	28"	4

Weight Capacity: 20 lb per square foot

Lazy susan made from birch plywood with clear UV finish  
 1" inside rim height and 1-9/16" overall height  
 Preinstalled with a steel swivel  
 360° swivel with stop  
 Easy to install, minimal installation time, 4 screws included



top view



bottom view

## Kidney

	Diameter	Swivel Size	Min. Opening	Ctn Qty
BLSK28-S	28"	8" with stop	28"	4
BLSK32-S	32"	9" with stop	32"	4

Weight Capacity: 20 lb per square foot

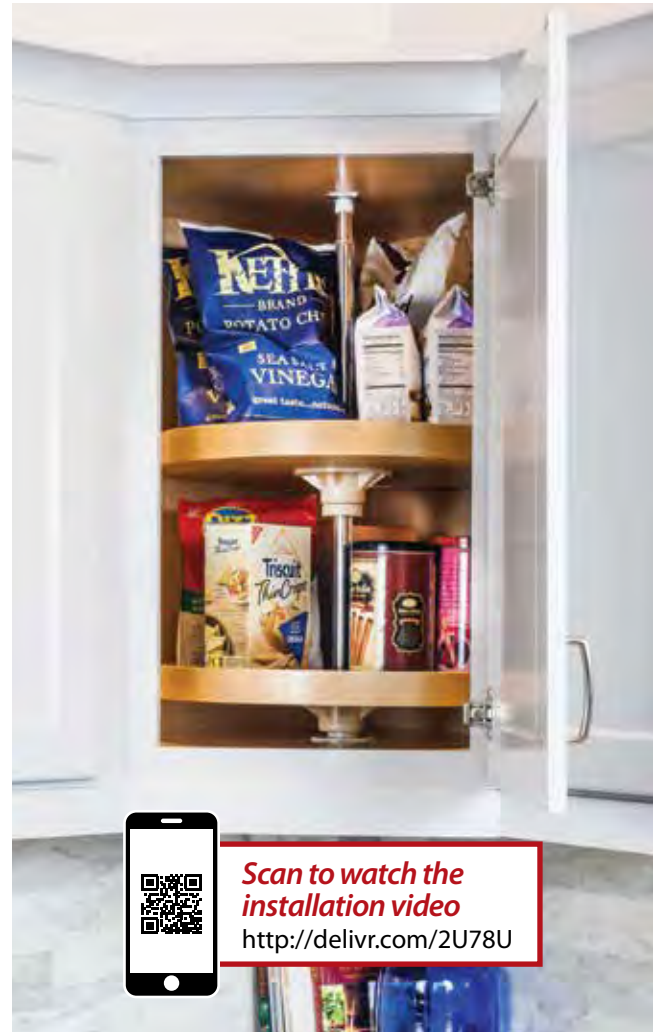


Scan to watch the  
installation video

<http://delivr.com/2M9W7>



# Corner Organization: Economy Banded Lazy Susan Kits



Scan to watch the  
installation video  
<http://delivr.com/2U78U>

Round	# Trays	Diameter	Interior Cabinet Height	Min. Opening	Ctn Qty
BLSR218-SET	2	18"	24-1/2"-32-3/4"	18"	1
BLSR220-SET	2	20"	24-1/2"-32-3/4"	20"	1
BLSR224-SET	2	24"	24-1/2"-32-3/4"	24"	1
BLSR228-SET	2	28"	24-1/2"-32-3/4"	28"	1
BLSR2318-SET	3	18"	37-3/8"-46"	18"	1
BLSR2320-SET	3	20"	37-3/8"-46"	20"	1

Weight Capacity: 20 lb per square foot

Kidney	# Trays	Diameter	Interior Cabinet Height	Min. Opening	Ctn Qty
BLSK224-SET	2	24"	24-1/2"-32-3/4"	24"	1
BLSK228-SET	2	28"	24-1/2"-32-3/4"	28"	1
BLSK232-SET	2	32"	24-1/2"-32-3/4"	32"	1

Weight Capacity: 20 lb per square foot

- Shelf is made from birch plywood with clear UV finish
- Shelves have a 1" inside rim height and 1-9/16" overall height
- Independently rotating shelves
- Chrome pole with beige polymer bearings that blend with wooden shelves
- Pole features adjustable shelves
- Positive stop on kidney shelf units
- Height adjustable for cabinets with 25-3/4" - 32-3/4" interior heights (37-3/8" - 46" for 3 tier)
- Sold as complete set with shelves, poles, mounting hardware and instructions included

# Corner Organization: Plastic Lazy Susan with Chrome Hub Kits



Independently rotating shelves featuring smooth surface area

Chrome-plated stainless steel pole with chrome-plated hubs and adjustable height

Pole features adjustable shelves

Positive stop on kidney shelf units

18" diameter shelves have 1-7/16" overall rim height and 9/16" inside rim height

24" and 28" diameter shelves have 1-7/8" overall rim height and 1" inside rim height

32" diameter shelves have 2-1/8" overall rim height and 1-3/8" inside rim height

Sold as complete set with shelves, poles, mounting hardware and instructions included



Scan to watch the installation video  
<http://delivr.com/2D4U3>



Round	# Trays	Diameter	Interior Cabinet Height	Min. Opening	Ctn Qty
PLSMR18	2	18"	21-1/2"-37-1/4"	18"	1
PLSMR24	2	24"	21-1/2"-37-1/4"	24"	1
PLSMR28	2	28"	21-1/2"-37-1/4"	28"	1
PLSMR318	3	18"	31-1/2"-43"	18"	1

Kidney	# Trays	Diameter	Interior Cabinet Height	Min. Opening	Ctn Qty
PLSMK24	2	24"	21-1/2"-37-1/4"	24"	1
PLSMK28	2	28"	21-1/2"-37-1/4"	28"	1
PLSMK32	2	32"	21-1/2"-37-1/4"	32"	1

Weight Capacity: 20 lb per square foot

Weight Capacity: 20 lb per square foot

# Corner Organization: Economy Plastic Lazy Susan Kits

*Twist and Lock Pole for Easy Installation*



**Twist clockwise to lock**

**Counter clockwise to release**



Round	# Trays	Diameter	Interior Cabinet Height	Min. Opening	Ctn Qty
PLSR218	2	18"	21-1/2"–37-1/4"	18"	1
PLSR224	2	24"	21-1/2"–37-1/4"	24"	1
PLSR228	2	28"	21-1/2"–37-1/4"	28"	1
PLSR2318	3	18"	31-1/2"–43"	18"	1

Weight Capacity: 20 lb per square foot



*Scan to watch the installation video*  
<http://delivr.com/2XKDZ>



*Twist and Lock Pole*



Kidney	# Trays	Diameter	Interior Cabinet Height	Min. Opening	Ctn Qty
PLSK224	2	24"	21-1/2"–37-1/4"	24"	1
PLSK228	2	28"	21-1/2"–37-1/4"	28"	1
PLSK232	2	32"	21-1/2"–37-1/4"	32"	1

Weight Capacity: 20 lb per square foot

Independently rotating shelves featuring smooth surface area

Chrome-plated stainless steel pole with white polymer hubs and adjustable height

Pole features adjustable shelves

Positive stop on kidney shelf units

18" diameter shelves have 1-7/16" overall rim height and 9/16" inside rim height

24" and 28" diameter shelves have 1-7/8" overall rim height and 1" inside rim height

32" diameter shelves have 2-1/8" overall rim height and 1-3/8" inside rim height

Sold as complete set with shelves, poles, mounting hardware and instructions included

# Corner Organization: Plastic Pie-cut Lazy Susan



- Door attaches directly to lazy susan
- Available in 24" and 28" diameters
- Patented\* height adjustment wheel for fine tuning that is easily accessible
- Cardboard template to streamline installation
- Twist and lock pole
- Designed for inset door application

**U.S. PATENTED**  
9,936,805

*Scan to watch the installation video*  
<http://delivr.com/285UG>



*Twist and Lock Pole for Easy Installation*



	Description	Dimeter	Height	Standard Cabinet Size	Min. Opening	Ctn Qty
PLSP24	24" Pie-cut lazy susan with 2 shelves	24"	adjustable 25-7/8"-32"	lazy susan base corner	24"	1
PLSP28	28" pie-cut lazy susan with 2 shelves	28"	adjustable 25-7/8"-32"	lazy susan base corner	28"	1

**Recommended screw:**

**installation screws included**

Weight Capacity: 20 lb per square foot



# Corner Organization: Half-moon Lazy Susan

Cabinet  
Organizers

One model for both  
left-hand and  
right-hand installs

Shelves mount from  
underside, for a  
clean look and  
ease of cleaning

Gives easy access to the  
hard to reach areas  
of a blind corner

Available in wood  
or plastic shelves

Available in 3 sizes:  
12", 15" and 18"

**U.S. PATENTED**  
10,111,521



Scan to watch the  
installation video

<http://delivr.com/2HX9R>

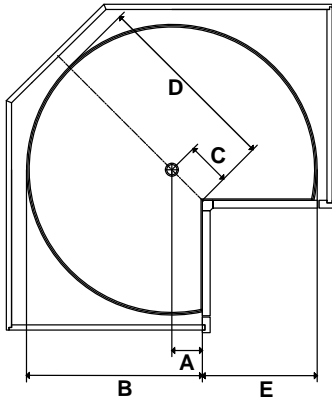


	Description	Width	Depth	Height	Min. Opening	Standard Cabinet Size	Weight Capacity	Ctn Qty
<b>WOOD SETS</b>	HMLS-W-3212 32" Half-Moon Lazy Susan Set - Wood Trays	31-1/16"	14-1/4"	17-9/16"	11-1/2"	blind corner	110 lb	1
	HMLS-W-3515 35" Half-Moon Lazy Susan Set - Wood Trays	33-9/16"	17-3/16"	17-9/16"	14-1/2"	blind corner	110 lb	1
	HMLS-W-3818 38" Half-Moon Lazy Susan Set - Wood Trays	37-11/16"	19-11/16"	17-9/16"	17-1/2"	blind corner	110 lb	1
<b>PLASTIC SETS</b>	HMLS-P-3212 32" Half-Moon Lazy Susan Set - Plastic Trays	31-1/16"	14-1/4"	18-3/16"	11-1/2"	blind corner	110 lb	1
	HMLS-P-3515 35" Half-Moon Lazy Susan Set - Plastic Trays	33-9/16"	17-3/16"	18-3/16"	14-1/2"	blind corner	110 lb	1
	HMLS-P-3818 38" Half-Moon Lazy Susan Set - Plastic Trays	37-11/16"	19-11/16"	18-3/16"	17-1/2"	blind corner	110 lb	1

Recommended screw:

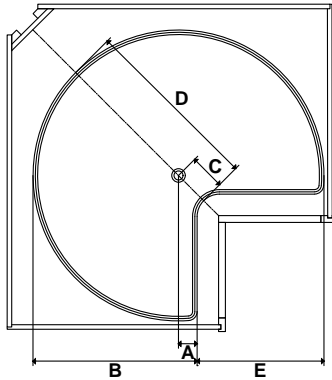
installation screws included

# Lazy Susan Spec Drawings



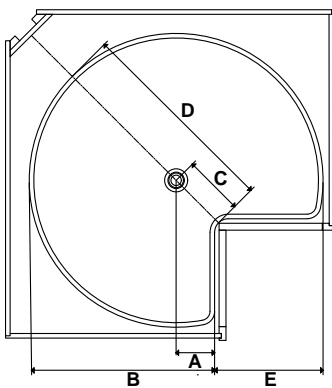
## Pie Cut Lazy Susans

Shelf	Series	A	B	C	D	E
24" Pie Cut	PLSP24	1-5/16"	13-3/8"	1-3/4"	13-15/16"	10-5/8" + 1/8" GAP
28" Pie Cut	PLSP28	2-15/16"	16-15/16"	4-5/32"	18-5/32"	11-1/8" + 1/8" GAP



## Plastic Lazy Susans - Kidney

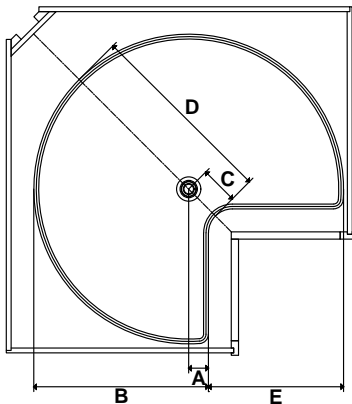
Shelf	Series	A	B	C	D	E
24" Kidney	PLSK224	2-1/16"	14-1/16"	3-15/16"	15-15/16"	9-15/16"
28" Kidney	PLSK228	2-1/16"	16-1/16"	3-13/32"	17-13/32"	11-15/16"
32" Kidney	PLSK232	2-1/16"	18-1/16"	3-29/32"	19-29/32"	13-15/16"



## Wood Banded Lazy Susans - Kidney

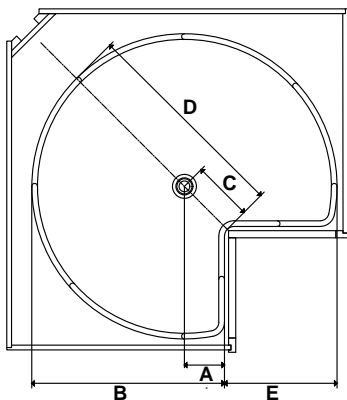
Shelf	Series	A	B	C	D	E
24" Kidney	BLSK224	1-29/32"	13-29/32"	2-23/32"	14-23/32"	10-3/32"
28" Kidney	BLSK228	3-1/32"	17-1/32"	4-9/32"	18-9/32"	10-31/32"
32" Kidney	BLSK232	4-3/16"	20-3/16"	5-15/16"	21-15/16"	11-13/16"

# Lazy Susan Spec Drawings



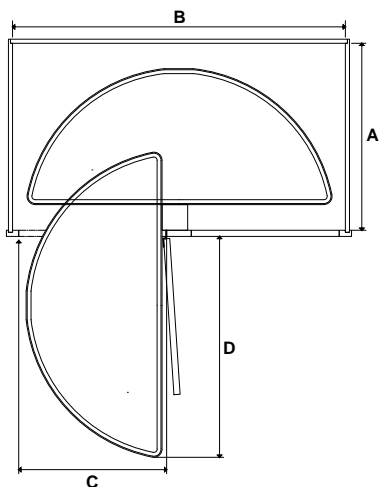
## Plastic Lazy Susans with Chrome Metal Hubs

Shelf	Series	A	B	C	D	E
24" Kidney	PLSMK24	2-1/16"	14-1/16"	3-15/16"	15-15/16"	9-15/16"
28" Kidney	PLSMK28	2-1/16"	16-1/16"	3-13/32"	17-13/32"	11-15/16"
32" Kidney	PLSMK32	2-1/16"	18-1/16"	3-29/32"	19-29/32"	13-15/16"



## Premium Wood Lazy Susans - Kidney

Shelf	Series	A	B	C	D	E
24" Kidney	LSK224	1-29/32"	13-29/32"	2-23/32"	14-23/32"	10-3/32"
28" Kidney	LSK228	3-1/32"	17-1/32"	4-9/32"	18-9/32"	10-31/32"
32" Kidney	LSK232	4-3/16"	20-3/16"	5-15/16"	21-15/16"	11-13/16"



## Half-Moon Lazy Susans

Shelf	Series	A	B	C	D
32" Plastic Half-Moon	HMLS-P-3512	22-1/2"	34-1/2"	12"	20-1/2"
35" Plastic Half-Moon	HMLS-P-3515	22-1/2"	37"	15"	22-9/16"
38" Plastic Half-Moon	HMLS-P-3518	22-1/2"	39-1/2"	18"	26-7/8"
32" Wood Half-Moon	HMLS-W-3512	22-1/2"	34-1/2"	12"	20-1/2"
35" Wood Half-Moon	HMLS-W-3515	22-1/2"	37"	15"	22-9/16"
38" Wood Half-Moon	HMLS-W-3518	22-1/2"	39-1/2"	18"	26-7/8"

---

# PANTRY ORGANIZATION

---



Chrome Pullout  
Page 412

## Pantry Organization

Organize everyone's favorite spot in the kitchen with a Hardware Resources pantry solution. From the traditional pantry pullout to our innovative pantry swingout, we have a solution for pantry storage needs.



**Wood Swingout & Door Mount**  
Pages 414-415



**Chrome Pullout**  
Page 412

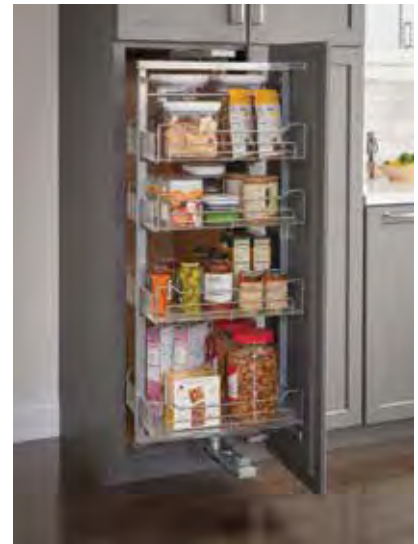


**Chrome Swingout**  
Pages 410-411



**Wood Pullout**  
Page 413

# Pantry Organizers: Premium Chrome Swingout



! Shown using  
only 4 baskets.  
● 5 baskets included.

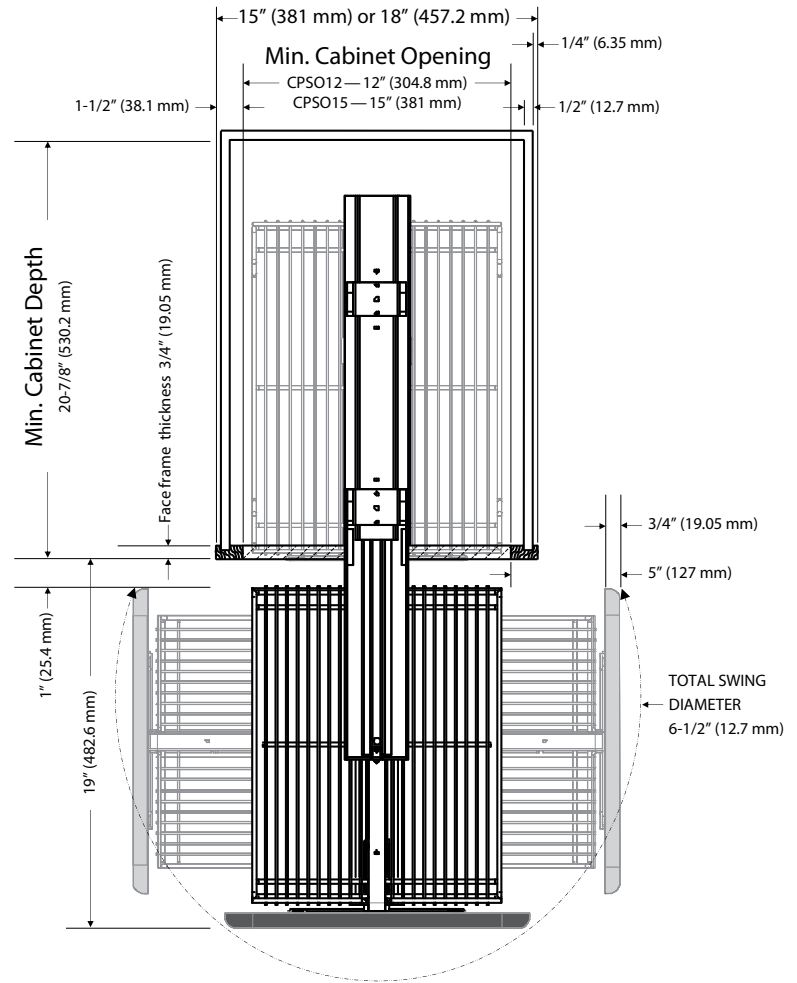
# Pantry Organizers: Premium Chrome Swingout

Cabinet  
Organizers

- Features soft-close slides – 175 lb weight capacity
- Smooth quiet opening and closing motion
- Integrated door mounting brackets\*
- Includes 5 heavy duty wire baskets with chrome finish
- Basket placement is adjustable
- Non-slip clear acrylic basket liners included
- Frames adjust to fit variable heights
- Pivots 90° in each direction when fully extended
- For face frame or frameless cabinets\*\*

\*If door panel is less than 1/2" thick, additional material may need to be added to the rear of the door

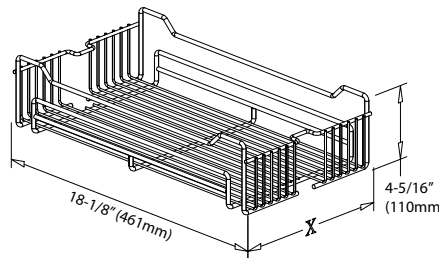
\*\*For face frame cabinet installation, additional cabinet blocking will be required for top mounting bracket.



Scan to watch the  
installation video  
<http://delivr.com/2m8fn>



**FRAMELESS  
FRIENDLY!**



Cab. Opening	Basket Width (X)
For 12" opening	9-5/8" (254mm)
For 15" opening	13-1/2" (345mm)

	Width	Depth	Height	# of Baskets	Standard Cabinet Size	Weight Capacity	Ctn Qty
CPSO1274SC	9-7/8"	19-3/8"	61-7/16" to 74-13/16"	5	15" pantry with 12" opening	175 lb	1
CPSO1286SC	9-7/8"	19-3/8"	73-1/4" to 86-5/8"	5	15" pantry with 12" opening	175 lb	1
CPSO1574SC	13-9/16"	19-3/8"	61-7/16" to 74-13/16"	5	18" pantry with 15" opening	175 lb	1
CPSO1586SC	13-9/16"	19-3/8"	73-1/4" to 86-5/8"	5	18" pantry with 15" opening	175 lb	1

Recommended screw:

#6 pan head

# Pantry Organizers: Premium Chrome Pullout



- Features soft-close slides – 175 lb total weight capacity
- Smooth quiet opening and closing motion
- Integrated door mounting brackets\*
- Heavy duty wire baskets with chrome finish and non-slip clear acrylic basket liners
- Basket placement is adjustable
- Frames adjust to fit variable heights
- Extends fully out of the cabinet
- For face frame or frameless cabinets\*\*

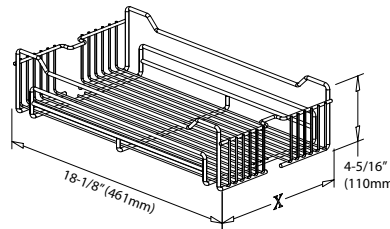
\*If door panel is less than 1/2" thick, additional material may need to be added to the rear of the door

\*\*For face frame cabinet installation, additional cabinet blocking will be required for top mounting bracket.



Scan to watch the  
installation video  
<http://delivr.com/2s8ay>

**FRAMELESS  
FRIENDLY!**



Cab. Opening	Basket Width (X)
For 12" opening	9-5/8" (245 mm)
For 15" opening	13-1/2" (345 mm)
For 18" opening	17-1/2" (445 mm)

	Width	Depth	Height	# Baskets	Standard Cabinet Size	Min. Opening	Weight Capacity	Ctn Qty
CPPO1263SC	9-7/8"	19-3/8"	49-5/8" to 63"	4	15" pantry with 12" opening	9-7/8"	175 lb	1
CPPO1274SC	9-7/8"	19-3/8"	61-7/16" to 74-13/16"	5	15" pantry with 12" opening	9-7/8"	175 lb	1
CPPO1286SC	9-7/8"	19-3/8"	73-1/4" to 86-5/8"	5	15" pantry with 12" opening	9-7/8"	175 lb	1
CPPO1563SC	13-9/16"	19-3/8"	49-5/8" to 63"	4	18" pantry with 15" opening	13-9/16"	175 lb	1
CPPO1574SC	13-9/16"	19-3/8"	61-7/16" to 74-13/16"	5	18" pantry with 15" opening	13-9/16"	175 lb	1
CPPO1586SC	13-9/16"	19-3/8"	73-1/4" to 86-5/8"	5	18" pantry with 15" opening	13-9/16"	175 lb	1
CPPO2063SC	17-1/2"	19-3/8"	49-5/8" to 63"	4	23" pantry with 20" opening	17-1/2"	175 lb	1
CPPO2074SC	17-1/2"	19-3/8"	61-7/16" to 74-13/16"	5	23" pantry with 20" opening	17-1/2"	175 lb	1
CPPO2086SC	17-1/2"	19-3/8"	73-1/4" to 86-5/8"	5	23" pantry with 20" opening	17-1/2"	175 lb	1

Recommended screw:

#6 pan head



# Pantry Organizers: Wood Pullout

Cabinet  
Organizers



- Solid white birch plywood construction with clear UV Finish
- Top shelf and bottom 2 shelves are fixed
- 2 adjustable middle shelves
- Ships preassembled and installs quickly
- Patented\* top mounting bracket eliminates side-to-side movement and sag
- Top mounting bracket allows for 3" of adjustability and can be used for frameless or face frame cabinetry
- 400 lb heavy duty ball bearing bottom slides and 225 lb ball bearing top slide
- Patented\* Integrated 6-way adjustable door mounting brackets allow for easy mounting of door

**FRAMELESS  
FRIENDLY!**

**U.S. PATENTED**

9,565,936 & 9,661,924  
& 10,028,581



Scan to watch the  
installation video  
<http://delivr.com/2ZRYV>



	Width	Depth	Height	# Shelves	Standard Cabinet Size	Min. Opening	Weight Capacity	Ctn Qty
PPO2-548	5-1/2"	22-1/2"	46" to 49"	5	9" pantry with 6" opening	5-1/2"	400 lb	1
PPO2-554	5-1/2"	22-1/2"	52" to 55"	5	9" pantry with 6" opening	5-1/2"	400 lb	1
PPO2-560	5-1/2"	22-1/2"	59" to 62"	5	9" pantry with 6" opening	5-1/2"	400 lb	1
PPO2-848	8-1/2"	22-1/2"	46" to 49"	5	12" pantry with 9" opening	8-1/2"	400 lb	1
PPO2-854	8-1/2"	22-1/2"	52" to 55"	5	12" pantry with 9" opening	8-1/2"	400 lb	1
PPO2-860	8-1/2"	22-1/2"	59" to 62"	5	12" pantry with 9" opening	8-1/2"	400 lb	1
PPO2-1148	11-1/2"	22-1/2"	46" to 49"	5	15" pantry with 12" opening	11-1/2"	400 lb	1
PPO2-1154	11-1/2"	22-1/2"	52" to 55"	5	15" pantry with 12" opening	11-1/2"	400 lb	1
PPO2-1160	11-1/2"	22-1/2"	59" to 62"	5	15" pantry with 12" opening	11-1/2"	400 lb	1
PPO2-1448	14-1/2"	22-1/2"	46" to 49"	5	18" pantry with 15" opening	14-1/2"	400 lb	1
PPO2-1454	14-1/2"	22-1/2"	52" to 55"	5	18" pantry with 15" opening	14-1/2"	400 lb	1
PPO2-1460	14-1/2"	22-1/2"	59" to 62"	5	18" pantry with 15" opening	14-1/2"	400 lb	1

Recommended screw:

#6 pan head



**Extra Rails** Ctn Qty

RAIL-17-PC Extra rail for PPO2 series 50

# Pantry Organizers: Wood Swingout



Used in pantry cabinets with recessed center divider  
 Minimum opening 33" wide  
 Top shelf and bottom 2 shelves are fixed  
 2 adjustable middle shelves  
 Piano hinge allows left and right shelves to swing out  
 Solid birch and birch plywood construction with clear UV finish  
 Wings ship preassembled to center mounting strip



Scan to watch the installation video  
<http://delivr.com/2fz83>



## Extra Rails

	Length	Height	Ctn Qty
RAIL-9-PC	9-1/4"	1-3/4"	50

	Length	Height	Ctn Qty
RAIL-9-PC	9-1/4"	1-3/4"	50

	Width	Depth	Height	Standard Cabinet Size	Ctn Qty
<b>A</b> PSO45	25-15/16"	8"	45-5/8"	36" pantry	1

**Recommended screw: #8 flat head**

# Pantry Organizers: Wood Door Mount

Cabinet  
Organizers



Mounts to the inside of hinged pantry doors, minimum 48" tall and 13" wide

Three adjustable middle shelves

Solid birch and birch plywood construction with clear UV finish

Ships preassembled and quickly installs to cabinet door, as shown on opposite page

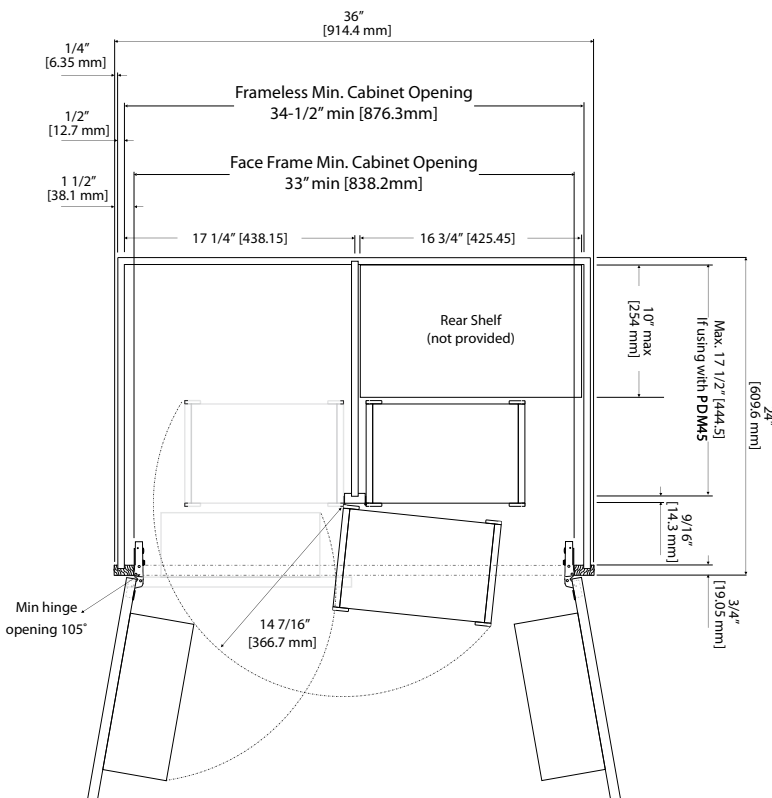
Can be used in conjunction with Pantry Swingout



**B**

	Width	Depth	Height	Standard Cabinet Size	Ctn Qty
<b>B</b> PDM45	12"	4-7/8"	45-5/8"	18" pantry door	1

**Recommended screw: #8 flat head**



Extra Rails	Length	Height	Ctn Qty
RAIL-9-PC	9-1/4"	1-3/4"	50

---

# DRAWER ORGANIZATION

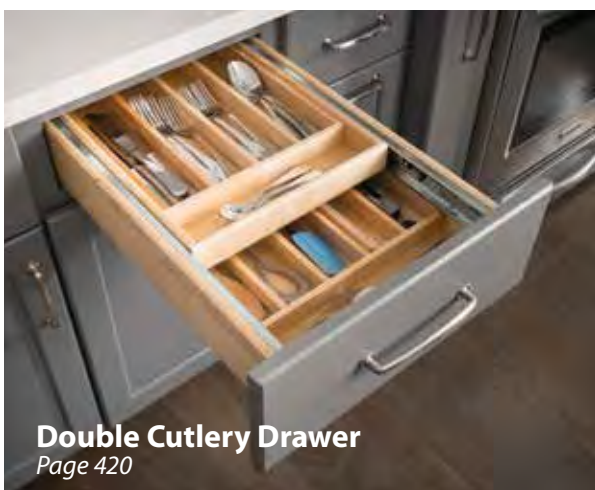
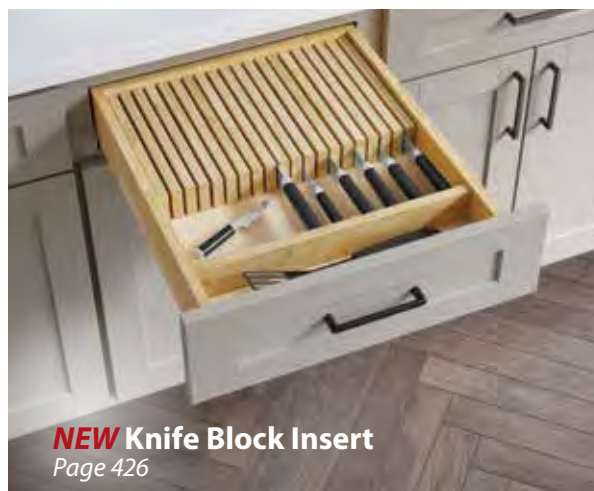
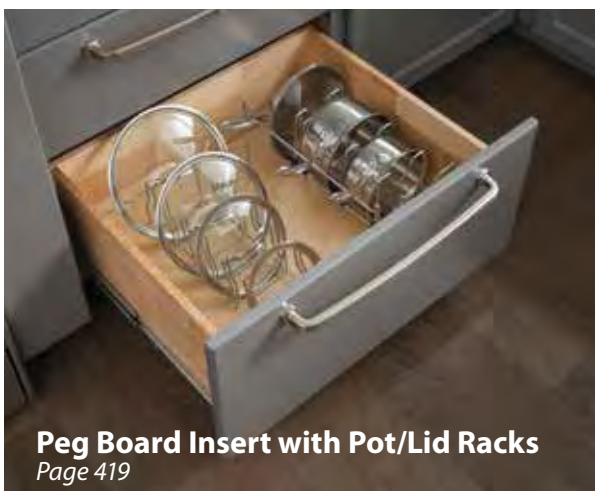
---



**NEW** Angled Cutlery Drawer  
Page 423

## Drawer Organization

Tame drawer clutter with Hardware Resources' drawer organizers. From complete drawer organization to drop-in inserts, these products will help organize everything from cutlery to cookware.

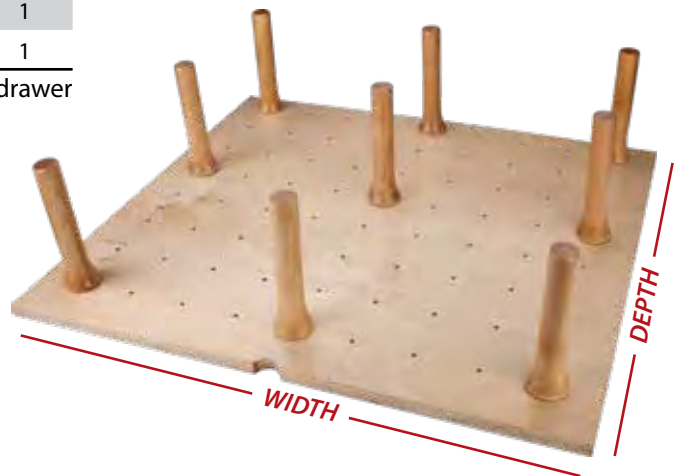


# Drawer Organizers: Peg Board Insert



	# Pegs	Width	Depth	Height	Ctn Qty
PEG-9*	9	24-1/4"	21-1/4"	6-5/8"	1
PEG-12*	12	30-1/4"	21-1/4"	6-5/8"	1
PEG-16*	16	39-1/4"	21-1/4"	6-5/8"	1

\*Item can be trimmed to fit smaller drawer



- Pegs included - see table above for quantity
- Solid 5/8" birch plywood bottom panel with clear UV finish
- Press-in solid birch pegs with clear UV finish
- Ideal storage for dinnerware or plastic containers
- Designed to drop into a drawer with no installation needed
- All sizes can be trimmed to fit



Additional Pegs	# Pegs	Top Diameter	Bottom Diameter	Height	Ctn Qty
PEG-BOX	4	1"	1-5/8"	6"	1

Press-in solid birch pegs with clear UV finish  
Use with PEG-9, PEG-12 or PEG-16

# Drawer Organizers: Peg Board Accessories

Cabinet  
Organizers



Shown using peg board insert (page 418)

Tame drawer clutter and offer an adjustable storage solution for pots/pans and lids with our pegboard accessories. Designed to work with our PEG-9, PEG-12 and PEG-16 peg board drawer inserts in deep drawers, our pot/pan organizer and lid organizer allows you to keep multiple sizes of cookware neat and organized. Featuring easy press-in installation. Cookware is always within reach.

## Pot/Pan Organizer

- Holds up to five pots or pans and includes a handle rest
- Adjustable dividers can be moved for a variety of configurations
- Can be combined with Lid Organizer PEG-LO
- Use with PEG-9, PEG-12 or PEG-16
- Designed to drop into a drawer with no installation needed

## Lid Organizer

- Holds six lids
- Can be combined with Pot Organizer PEG-PO
- Use with PEG-9, PEG-12 or PEG-16
- Designed to drop into a drawer with no installation needed



	Description	Width	Depth	Height	Ctn Qty
<b>A</b>	PEG-PO Pot Organizer	5-3/8"	15-3/16"	6-5/8"	1
<b>B</b>	PEG-LO Lid Organizer	5-3/16"	16-7/16"	5-7/16"	1

# Drawer Organizers: Double Cutlery Drawer



Scan to watch the  
installation video  
<http://delivr.com/2r2j4>

Make the most of space with this two tier system

Top tier includes preassembled full extension ball bearing slides: 100 lb slides on 4-3/16" units

Item numbers with P include push-to-open slides on top tray

Ships notched and bored for recommended use with USE58-300 undermount drawer slides (sold separately)

Drawer front not included

Made from 1/2" solid white birch dovetail drawer sides and 1/4" prefinished birch plywood bottoms, all with clear UV finish



	Width	Depth	Height	Slide	Min Opening	Standard Cabinet Size	Weight Capacity	Ctn Qty
CD15	11-1/2"	21"	4-3/16"	100 lb	11-1/2"	15" base	100 lb	1
CD18	14-1/2"	21"	4-3/16"	100 lb	14-1/2"	18" base	100 lb	1
CD18P <sup>†</sup>	14-1/2"	21"	4-3/16"	100 lb Push	-	18" base	-	1
CD21	17-1/2"	21"	4-3/16"	100 lb	17-1/2"	21" base	100 lb	1
CD24	20-1/2"	21"	4-3/16"	100 lb	20-1/2"	24" base	100 lb	1
CD24P <sup>†</sup>	20-1/2"	21"	4-3/16"	100 lb Push	-	24" base	-	1



These products are being retired.  
Call for availability on products marked with "†".



**NEW**

# Drawer Organizers: Cutlery Insert

**Cabinet  
Organizers**



DO15A-B18 Shown



	Width	Depth	Height	Recommended Drawer	Ctn Qty
DO15A-B18*	13-7/16"	19-1/2"	2-3/8"	15" wide drawer*	5
DO21A-B24*	19-1/2"	19-1/2"	2-3/8"	21" wide drawer*	5

\*Item can be trimmed to fit smaller drawer

Adjustable width allows inserts to fit a variety of sized drawers

DO15A-B18 is adjustable from 9-5/8" Min to 13-7/16" Max

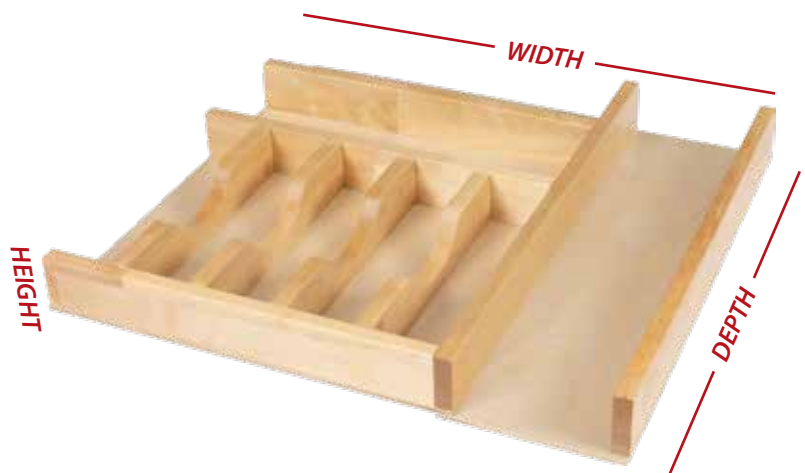
DO21A-B24 is adjustable from 15-5/8" Min to 19-1/2" Max

Cutlery sections are 2-3/8" wide

2-3/8" total height

Sized to fit 15" and 21" drawers with no trimming needed

Transition piece is included to use multiple inserts in wider drawers for a seamless look





DO21A-B24 Shown

**NEW**

# Drawer Organizers: Cutlery Insert

**Cabinet  
Organizers**



DO15A-B18 Shown



	Width	Depth	Height	Recommended Drawer	Ctn Qty
DO15A-B18*	13-7/16"	19-1/2"	2-3/8"	15" wide drawer*	5
DO21A-B24*	19-1/2"	22"	2-3/8"	21" wide drawer*	5

\*Item can be trimmed to fit smaller drawer

Adjustable width allows inserts to fit a variety of sized drawers

DO15A-B18 is adjustable from 9-5/8" Min to 13-7/16" Max

DO21A-B24 is adjustable from 15-5/8" Min to 19-1/2" Max

Cutlery sections are 2-3/8" wide  
2-3/8" total height

Sized to fit 15" and 21" drawers with no trimming needed

Transition piece is included to use multiple inserts in wider drawers for a seamless look



**NEW**

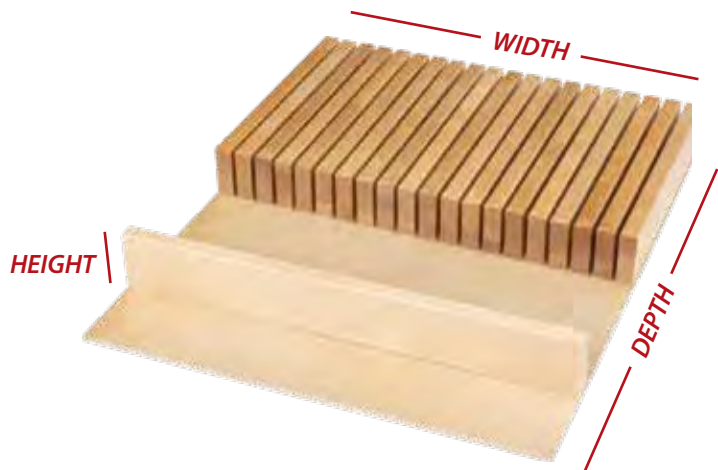
# Drawer Organizers: Knife Block Insert



**SHIPS FULLY ASSEMBLED**

	Width	Depth	Height	Ctn Qty
KO18-B21*	16-3/16"	19-1/2"	2-3/8"	5

\*Item can be trimmed to fit smaller drawer



- For use in 18" wide drawer
- Comes with 19 knife slots and built-in front storage partition
- Solid birch and birch plywood construction with clear UV finish
- Transition piece is included to use multiple inserts in wider drawers for a seamless look
- Designed to drop into a drawer with no installation needed

**NEW**

# Drawer Organizers: Spice Tray Insert

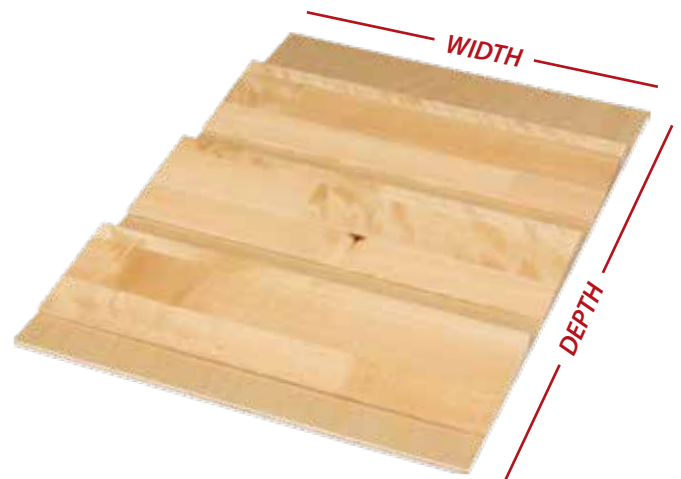
**Cabinet  
Organizers**



	<i>Width</i>	<i>Depth</i>	<i>Height</i>	<i>Ctn Qty</i>
SPO15-B18*	13-3/16"	19-1/2"	13/16"	5
SPO24-B27*	22-1/4"	19-1/2"	13/16"	5

\*Item can be trimmed to fit smaller drawer

- Holds wide variety of spice jars and containers
- For use in 15" or 24" drawers, or trim to size
- Solid birch and birch plywood construction with clear UV finish
- Transition piece is included to use multiple inserts in wider drawers for a seamless look
- Designed to drop into a drawer with no installation needed



# Tipout Tray: Stainless Steel



**!** Shown using 2 hinges. Kit includes 4 hinges for installation on 1 or 2 fronts.

Convert false front drawers into useful hidden storage space

Sold as kits or individual trays and hinge pairs

Each kit includes 2 trays, 4 hinges, and screws

Stainless steel is durable and easily cleaned

Ships with all necessary hinges and screws

Hinges are self closing and feature adjustable opening angle

1-9/16" slim depth trays are great for use in low clearance applications behind large sinks



Kits	Width	Depth	Height	Standard Cabinet Size	Ctn Qty
TOSS11-R	11"	2"	3"	36" base	4 kits
TOSS11S-R	11"	1-9/16"	3"	36" base	4 kits
TOSS14-R	14"	2"	3"	36" base	4 kits
TOSS14S-R	14"	1-9/16"	3"	36" base	4 kits

*Kit includes 2 trays, 4 hinges & installation screws*

## Individual Items

	Width	Depth	Height	Ctn Qty
TOSS11-REPL	11"	2"	3"	1 tray
TOSS11S-REPL	11"	1-9/16"	3"	1 tray
TOSS14-REPL	14"	2"	3"	1 tray
TOSS14S-REPL	14"	1-9/16"	3"	1 tray
TIPOUT-HINGE	-	-	-	1 pair

# Tipout Tray: White

Cabinet  
Organizers



- Convert false front drawers into useful hidden storage space
- Sold as kits or individual trays and hinge pairs
- Each kit includes 2 trays, 4 hinges, and screws
- White polymer is durable and easily cleaned
- Ships with all necessary hinges and screws
- Hinges are self closing and feature adjustable opening angle
- 1-9/16" slim depth trays are great for use in low clearance applications behind large sinks



Kits	Width	Depth	Height	Standard Cabinet Size	Ctn Qty
TO11-R	11"	2"	3"	36" base	4 kits
TO11S-R	11"	1-9/16"	3"	36" base	4 kits
TO14-R	14"	2"	3"	36" base	4 kits
TO14S-R	14"	1-9/16"	3"	36" base	4 kits

Kit includes 2 trays, 4 hinges & installation screws

## Individual Items

	Width	Depth	Height	Ctn Qty
TO11-REPL	11"	2"	3"	1 tray
TO11S-REPL	11"	1-9/16"	3"	1 tray
TO14-REPL	14"	2"	3"	1 tray
TO14S-REPL	14"	1-9/16"	3"	1 tray
TIPOUT-HINGE	-	-	-	1 pair

---

# WALL ORGANIZATION

---



**"No Wiggle" Wall Cabinet Pullout**  
Page 430





**Smart Rail® Storage Solution**  
Pages 432-435



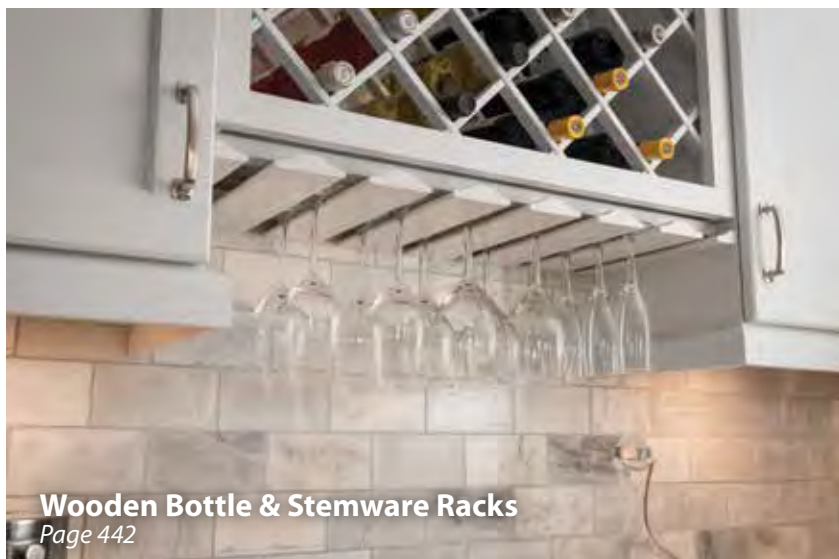
**Wire Tray Divider**  
Page 436

## Wall Cabinet Organization

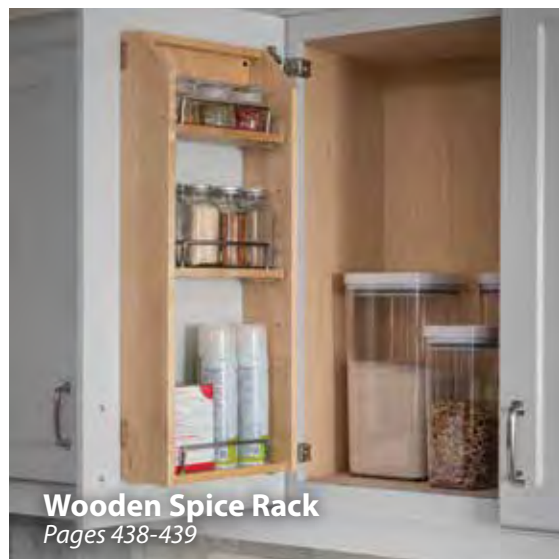
Maximize cabinet storage with Hardware Resources' wall cabinet organizers. From cabinet pullouts and bakeware organizers to spice racks and wine accessories, we can help you make the most beautiful and organized kitchen.



**Wall Filler Pullout**  
Page 431



**Wooden Bottle & Stemware Racks**  
Page 442



**Wooden Spice Rack**  
Pages 438-439

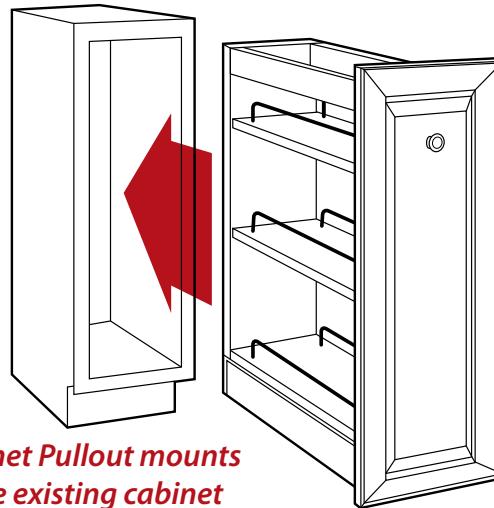
# Wall Cabinet Organization: "No Wiggle" Wall Pullout



- Built on our "No Wiggle" platform
- Patented\* top mounting bracket eliminates excessive side-to-side movement and sag, yet is hidden under the first shelf for a clean look
- Bottom slides are concealed undermount slides, and the top is a 100 lb slide for added support and weight bearing
- Patented\* integrated 6-way adjustable door-mounting brackets allow for easy mounting of door
- Two adjustable shelves included
- Frameless Friendly! Works in both face frame and frameless applications
- Ships fully assembled making installation a breeze



9,661,924 & 9,723,922  
10,028,581 & 10,251,480



*Cabinet Pullout mounts inside existing cabinet*

*door front not included*

	Width	Depth	Height	Min. Opening	Standard Cabinet Size	Weight Capacity	Ctn Qty
WPO2-5SC	5-7/16"	11-5/16"	24"	5-1/2"	9" wall	100 lb	1
WPO2-8SC	8-7/16"	11-5/16"	24"	8-1/2"	12" wall	100 lb	1

**Recommended screw: #8 flat head**

# Wall Cabinet Organization: Wall Filler Pullout

Cabinet  
Organizers

- Used in 3" and 6" wide wall cabinet applications
- Installs in dead space between wall cabinets
- Two adjustable middle shelves
- Solid birch and birch plywood construction with clear UV finish
- Featuring 303FU Series full extension 100 lb ball bearing slides
- Ships preassembled and quickly installs to adjacent wall cabinets using predrilled pilot holes



	Width	Depth	Height	Min. Opening	Weight Capacity	Ctn Qty
WFPO330	3"	11-1/8"	30"	3"	50 lb	1
WFPO630	6"	11-1/8"	30"	6"	50 lb	1
WFPO336	3"	11-1/8"	36"	3"	50 lb	1
WFPO636	6"	11-1/8"	36"	6"	50 lb	1
WFPO342	3"	11-1/8"	42"	3"	50 lb	1
WFPO642	6"	11-1/8"	42"	6"	50 lb	1

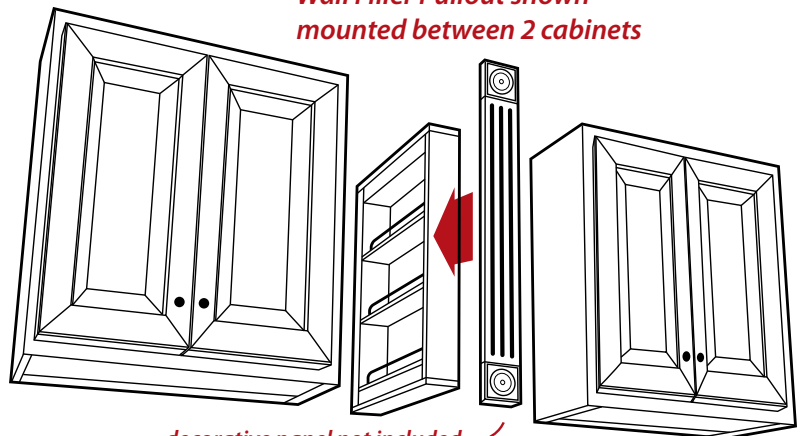
**Recommended screw: #6 face frame**



## Extra Shelves & Rails

		Ctn Qty
WFPO3-ES	Extra shelf for 3" WFPO	1
WFPO6-ES	Extra shelf for 6" WFPO	1
RAIL-7-PC	Extra rail for WFPO series	50

Wall Filler Pullout shown  
mounted between 2 cabinets



*decorative panel not included*  
See the Hardware Resources Wood Products catalog or  
[www.HardwareResources.com](http://www.HardwareResources.com) for more information.

# Wall Cabinet Organization: Smart Rail® Storage Solution



# Wall Cabinet Organization: Smart Rail® Storage Solution

Cabinet  
Organizers



Pieces sold individually

Fully customizable modular system

Rail attaches to wall with included cleats and screws

All accessories lock into a groove on the rail, and position can be adjusted and multiple accessories used

Stylish brushed aluminum finish with bamboo accents

Mount Smart Rail above stove, under wall cabinets or in place of wall cabinets



## Rails

	Description	Width	Depth	Height	Min. Opening	Weight Capacity	Ctn Qty
SRSS999	Hang Rail for Smart Rail® Storage Solution	35-7/16"	1-1/2"	1-3/8"	35-7/16"	45 lb	1

# Wall Cabinet Organization: Smart Rail® Storage Solution



	Description	Width	Depth	Height	Ctn Qty
<b>C</b>	SRSS960-BAM Hanging Cutting Board for Smart Rail® Storage Solution	19"	1-3/8"	10-1/4"	1
<b>D</b>	SRSS940-BAM Knife-Block Combo Hanging Shelf for Smart Rail® Storage Solution	13-3/4"	5-1/2"	12"	1



	Description	Width	Depth	Height	Ctn Qty
<b>E</b>	SRSS950-BAM Hanging Paper Towel Holder for Smart Rail® Storage Solution	15-3/4"	5-3/16"	4"	1
<b>F</b>	SRSS970-BAM Hanging 5 Hook Shelf for Smart Rail® Storage Solution	17-1/2"	1-1/2"	4"	1

# Wall Cabinet Organization: Smart Rail® Storage Solution

Cabinet  
Organizers



	Description	Width	Depth	Height	Ctn Qty
<b>G</b>	SRSS980-BAM Hanging 5 Spice Bottle Shelf for Smart Rail® Storage Solution	17-1/2"	2"	4"	1
<b>H</b>	SRSS920-BAM Single Hanging Shelf for Smart Rail® Storage Solution	13-3/4"	4-1/2"	8"	1



	Description	Width	Depth	Height	Ctn Qty
<b>J</b>	SRSS910 Single Top Shelf for Smart Rail® Storage Solution	13-13/16"	4-3/8"	13/16"	1
<b>K</b>	SRSS900-BAM Single Hook for Smart Rail® Storage Solution	1-13/16"	1-13/16"	1-7/16"	1
<b>L</b>	SRSS930-BAM Canister Hanging Shelf for Smart Rail® Storage Solution	13-3/4"	4-1/2"	12"	1

# Wall Cabinet Organization: Wire Tray Divider



Easily and quickly installs with four screws (included)

Completely versatile organization – use multiple tray dividers and mix and match sizes to customize your storage

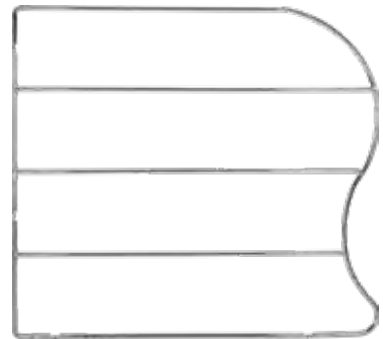
Place multiple dividers at any spacing – narrow for baking sheets and wider for cutting boards and baking dishes

Polished Chrome finish

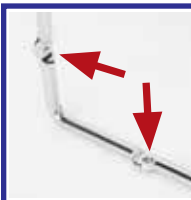
Sold individually



TD12-PC



TD18-PC

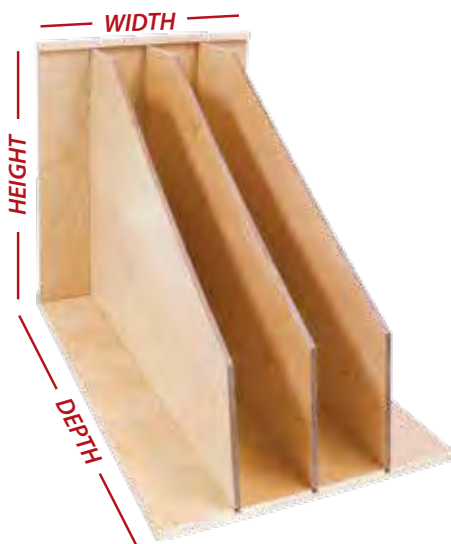


Mounts quickly to the cabinet floor and back wall with 4 screws

	Width	Depth	Height	Standard Cab. Size	Ctn Qty
TD12-PC	1/4"	20"	12"	base or pantry	1
TD18-PC	1/4"	20"	18"	base or pantry	1



# Wall Cabinet Organization: Wooden Tray Divider



Stores pans, platters, plates, and baking sheets

For 24" depth and 12" width cabinets (can be trimmed to smaller width)

Three removable dividers insert to allow 4 separate storage units with 2-3/4" interior storage width

Solid birch and birch plywood construction with clear UV finish

Ships flat pack

Easy to assemble



	Width	Depth	Height	Standard Cab. Size	Ctn Qty
TD3	11-3/4"	22-1/4"	16"	15" base or pantry	5

**Recommended screw:**

**#8 flat head**

# Wall Cabinet Organization: Door Mounted Spice Racks



# Wall Cabinet Organization: Door Mounted Spice Racks

## Door Mount Spice Rack with Adjustable Shelves

Installs to back of cabinet door and holds a wide variety of spice jars, containers, and bottles

Ships with two support rails (22-3/8", 25-3/8", or 28-3/8" wide) which can be cut to size and allow installation to door stile

Three shelves: lower shelf is fixed, and two upper shelves are adjustable

Solid birch and birch plywood construction with clear UV finish



	Width	Depth	Height	Min. Opening	Standard Cab. Size	Ctn Qty
SPR9A	9-1/2"	4"	24"	12"	15" wall or base	5
SPR12A	12-1/2"	4"	24"	15"	18" wall or base	5
SPR15A	15-1/2"	4"	24"	18"	21" wall or base	5

**Recommended screw: #8 pan head**

### Extra Rails

	Length	Height	Ctn Qty	Use with HR Part #
RAIL-9-PC	9-1/4"	1-3/4"	50	SPR12A
RAIL-12-PC	12-1/4"	1-3/4"	50	SPR15A



*works great for bathrooms too!*

# Wall Cabinet Organization: Wooden Stemware Rack



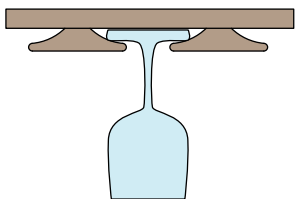
## Wooden Stemware Rack

- Used in 18", 30" or 36" wide spaces to hold 4, 7 or 8 rows of glasses
- For 12" deep cabinets (width and depth can be trimmed to fit smaller applications)
- Solid wood is sanded and can be finished to match the application
- Quickly installs using #6 x 1" pan head screws (provided)

	Species	Rows	Width	Depth	Height	Ctn Qty
SR18	Maple	4	18"	12"	1-1/2"	5
SR18ALD <sup>†</sup>	Alder	4	18"	12"	1-1/2"	5
SR30	Maple	7	30"	12"	1-1/2"	5
SR30ALD <sup>†</sup>	Alder	7	30"	12"	1-1/2"	5
SR36	Maple	8	36"	12"	1-1/2"	5



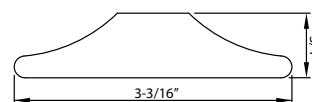
## Build your own stemware rack




## Wooden Stemware Moulding

- Cut to any length
- Priced by the linear foot, sold in 8' lengths

	Species	Width	Depth	Ctn Qty
STMW-ALD	Alder	3-3/16"	3/4"	40 LF
STMW-HMP	Hard Maple	3-3/16"	3/4"	40 LF



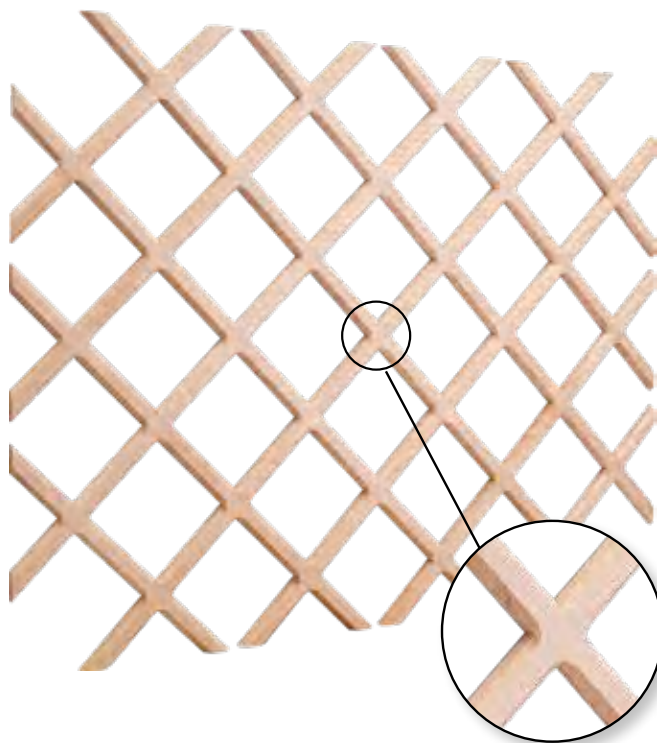
 These products are being retired.  
Call for availability on products marked with "†".

# Wall Cabinet Organization: Wooden Wine Bottle Lattice

Can be cut to size  
Beveled mouldings with routed face  
Mouldings are 5/8" thick x 3/4" wide  
3-3/4" x 3-3/4" bottle openings  
Solid wood is sanded and can be finished  
to match the application  
Sold by the piece

	<i>Species</i>	<i>Width</i>	<i>Height</i>	<i>Ctn Qty</i>
WR30-2ALD	Alder	24"	30"	10
WR30-2MP	Maple	24"	30"	10
WR30-2OK	Oak	24"	30"	10
WR45-2ALD	Alder	25"	45"	10
WR45-2MP	Maple	25"	45"	10
WR45-2OK	Oak	25"	45"	10
WR48-2ALD	Alder	36"	48"	10
WR48-2MP	Maple	36"	48"	10
WR48-2OK	Oak	36"	48"	10

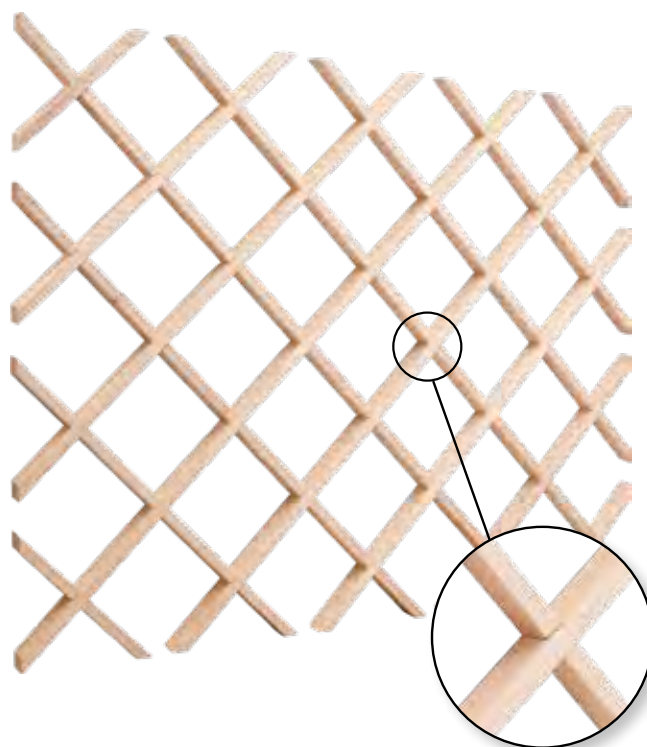
**Recommended screw:** #6 flat head



Can be cut to size  
Mouldings are 3/4" thick x 7/16" wide  
4" x 4" bottle openings  
Solid maple is sanded and can be finished  
to match the application  
Sold by the piece

	<i>Species</i>	<i>Width</i>	<i>Height</i>	<i>Ctn Qty</i>
WR30MP	Maple	24"	30"	10
WR36MP	Maple	36"	36"	10

**Recommended screw:** #6 flat head

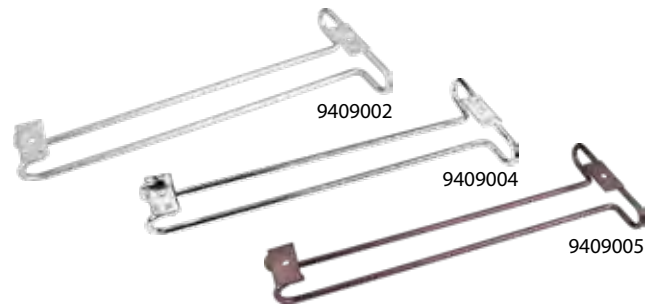


# Wall Cabinet Organization: Wooden Bottle Rack & Wire Stemware



## Wire Stemware Rack

- Thick wire gauge construction
- Under-cabinet mount with hidden installation holes
- Screws not included



	Finish	Front Width	Rear Width	Length	Ctn Qty
9409002	Satin Chrome	4"	1-3/8"	11-7/16"	100
9409004	Polished Chrome	4"	1-3/8"	11-7/16"	100
9409005	Brushed Oil Rubbed Bronze	4"	1-3/8"	11-7/16"	100

**Recommended screw: #6 flat head**



## Wooden Bottle Rack

- Use in 24", 30" or 48" wide spaces to hold 5, 6 or 10 bottles
- Can also be trimmed to fit into 18" minimum spaces
- Install to base of cabinet or multiple units can be stacked
- Solid wood is sanded and can be finished to match the application
- Ships with front and back rails
- Screws not included

	Species	# Bottles	Width	Depth	Height	Ctn Qty
BR24	Maple	5	24"	3/4"	2"	20
BR24ALD <sup>†</sup>	Alder	5	24"	3/4"	2"	20
BR30	Maple	6	30"	3/4"	2"	20
BR48	Maple	10	48"	3/4"	2"	20
BR48ALD <sup>†</sup>	Alder	10	48"	3/4"	2"	20

**Recommended screw: #8 flat head**



These products are being retired.  
Call for availability on products marked with "†".

Easy-to-install  
**CABINET  
ORGANIZERS**

Organize Your Kitchen in  
**11 minutes**  
or less™





# It's That Easy!



## 1 Measure

Measure your cabinet's interior width, depth and height. Hold your tape parallel to the cabinet's walls. Note any pipes, shelves, or hinges that may affect actual available space.



## 2 Set

Set your organizer in place making sure you can open and close the cabinet door easily. If the organizer installs on the cabinet door, consider marking two points to help with alignment.

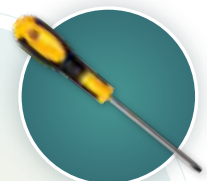


## 3 Secure

Using your Phillips screwdriver and the screws provided, secure your organizer in place.

Measuring Tape

Phillips Screwdriver



All you need:



Pencil (optional)



11 Minutes!

## Retail packed with easy installation instructions and hardware

**Recommended standard cabinet sizes & opening sizes**

**Lifetime warranty**

**Minimal tools required**

**Installs with 4 screws or less**

**Minimum opening & cabinet sizes**

**Trilingual: English, Spanish, French**

**Product dimensions**

**Features & benefits**

**Easy installation**

**QR code link to more information**



Organize Your Kitchen in **11 minutes** or less



# Pullout Baskets

Easy Install Organizers

*Retail Packaged*



Great for organizing your cookware or pantry  
Full extension ball bearing slides

Heavy duty wire construction  
Quickly mounts to cabinet floor or fixed shelf using four screws (included)

	Description	Finish	Width	Depth	Height	Min. Opening	Fits Standard Cabinet Size	Weight Capacity	Ctn Qty
MBPO15-R	Pullout Basket	Polished Chrome	11-3/8"	19-11/16"	6-3/16"	11-1/2"	15" base	50 lb	3
MBPO18-R	Pullout Basket	Polished Chrome	14-3/8"	19-11/16"	6-3/16"	14-1/2"	18" base	50 lb	3
MBPO21-R	Pullout Basket	Polished Chrome	17-3/8"	19-11/16"	6-3/16"	17-1/2"	21" - 24" base	50 lb	3

# Trash Can Pullout

Organize Your Kitchen in **11 minutes** or less



Retail Packaged



Cans Sold Separately

Use optional door mounting kit for door pullout application

- Heavy duty 100 lb full extension ball bearing slides
- Thick wire frame construction
- Durable polymer trash cans are easily cleaned
- Cans and lids sold separately
- Quickly mounts to cabinet floor using four screws (included)

- Wire handle included
- Optional 6-way adjustable door mounting kit for door pullout application
- Retail packed with English, French and Spanish translations
- Note:** Double 50 qt unit requires full height cabinet

	Description	Finish	Width	Depth	Height	Min. Opening	Standard Cabinet Size	Weight Capacity	Ctn Qty
CAN-EBMSB-R	Single Can Unit - 35 or 50 qt	Black	10-1/4"	22-1/16"	13"	10-1/4"	15" base	50 lb	6
CAN-EBMSPC-R	Single Can Unit - 35 or 50 qt	Polished Chrome	10-1/4"	22-1/16"	13"	10-1/4"	15" base	50 lb	6
CAN-EBMSW-R	Single Can Unit - 35 or 50 qt	White	10-1/4"	22-1/16"	13"	10-1/4"	15" base	50 lb	6
CAN-EBMDB-R	Double Can Unit - 35 qt only	Black	13-15/16"	22"	13"	13-15/16"	18" base	50 lb	4
CAN-EBMDPC-R	Double Can Unit - 35 qt only	Polished Chrome	13-15/16"	22"	13"	13-15/16"	18" base	50 lb	4
CAN-EBMDW-R	Double Can Unit - 35 qt only	White	13-15/16"	22"	13"	13-15/16"	18" base	50 lb	4
CAN-EBMD50B-R	Double Can Unit - 50 qt only	Black	15-3/16"	22-1/16"	12-13/16"	15-3/16"	18" base	50 lb	4
CAN-EBMD50PC-R	Double Can Unit - 50 qt only	Polished Chrome	15-3/16"	22-1/16"	12-13/16"	15-3/16"	18" base	50 lb	4
CAN-EBMD50W-R	Double Can Unit - 50 qt only	White	15-3/16"	22-1/16"	12-13/16"	15-3/16"	18" base	50 lb	4
CAN-DOORKIT	Door Mounting Kit	Black	2-1/2"	5-1/4"	6-5/8"	-	-	-	20
CAN-DOORKITPC	Door Mounting Kit	Polished Chrome	2-1/2"	5-1/4"	6-5/8"	-	-	-	20
CAN-DOORKITW	Door Mounting Kit	White	2-1/2"	5-1/4"	6-5/8"	-	-	-	20

*Retail Packaged*

Cans available in 2 sizes and 3 standard colors – black, grey & white

Lids available in 3 standard colors plus green for recycling

High-quality polymer material is durable and easy to clean

Compatible with any of our trash can pullouts



	Description	Can Color	Depth	Width	Height	Ctn Qty
CAN-35	35 qt Polymer Can	Black	9-7/16"	14-1/2"	18"	10
CAN-35W	35 qt Polymer Can	White	9-7/16"	14-1/2"	18"	10
CAN-35GRY	35 qt Polymer Can	Grey	9-7/16"	14-1/2"	18"	10
CAN-35LID	Lid for 35 qt Polymer Can	Black	9-3/8"	14-1/2"	1-5/8"	10
CAN-35LIDW	Lid for 35 qt Polymer Can	White	9-3/8"	14-1/2"	1-5/8"	10
CAN-35LIDGRY	Lid for 35 qt Polymer Can	Grey	9-3/8"	14-1/2"	1-5/8"	10
CAN-35LIDG	Lid for 35 qt Polymer Can	Green	9-3/8"	14-1/2"	1-5/8"	10
CAN-50	50 qt Polymer Can	Black	10-1/4"	14-7/8"	22-1/4"	10
CAN-50W	50 qt Polymer Can	White	10-1/4"	14-7/8"	22-1/4"	10
CAN-50GRY	50 qt Polymer Can	Grey	10-1/4"	14-7/8"	22-1/4"	10
CAN-50LID	Lid for 50 qt Polymer Can	Black	10-1/4"	14-5/8"	1-5/8"	10
CAN-50LIDW	Lid for 50 qt Polymer Can	White	10-1/4"	14-5/8"	1-5/8"	10
CAN-50LIDGRY	Lid for 50 qt Polymer Can	Grey	10-1/4"	14-5/8"	1-5/8"	10
CAN-50LIDG	Lid for 50 qt Polymer Can	Green	10-1/4"	14-5/8"	1-5/8"	10



# Cleaning Supply Caddy

Organize Your Kitchen in **11 minutes** or less



Retail Packaged



Ergonomic Plastic Handle



- Ergonomic plastic handle
- Removable caddy keeps cleaning supplies organized
- Holds a variety of bottles and boxes
- Mounts easily under your sink, left- or right-handed
- Simply pick it up and take it with you

- Plastic liner tray catches drips
- Full extension ball bearing slides
- Heavy duty wire construction
- 25 lb capacity
- Quickly mounts to cabinet floor using four screws (included)

	Description	Finish	Width	Depth	Height	Min. Opening	Fits Standard Cabinet Size	Weight Capacity	Ctn Qty
SCPO2-R	Cleaning Caddy Pullout	Polished Chrome	11-5/8"	19-11/16"	15-15/16"	11-5/8"	15" - 18" base	25 lb	2

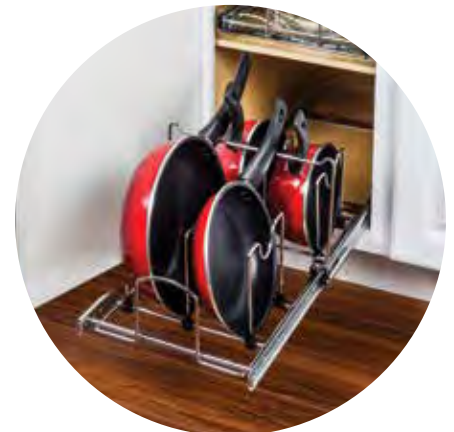
Organize Your Kitchen in  
**11 minutes**  
 or less



# Pullout Pot & Lid Organizers

Easy Install  
 Organizers

Retail Packaged



Lid organizer holds 7 lids  
 Pot organizer has adjustable dividers  
 Pot organizer holds most cookware sizes and brands

Full extension ball bearing slides  
 Heavy duty wire construction  
 Quickly mounts to cabinet floor or fixed shelf using four screws (included)

	Description	Finish	Width	Depth	Height	Min. Opening	Fits Standard Cabinet Size	Weight Capacity	Ctn Qty
<b>A</b>	MPLO215-R Lid Organizer Pullout	Polished Chrome	11-3/8"	19-11/16"	5-3/8"	11-3/8"	15" - 18" base	100 lb	3
<b>B</b>	MPPO215-R Pots Organizer Pullout	Polished Chrome	11-3/8"	19-11/16"	9"	11-3/8"	15" - 18" base	100 lb	3

# Door Mounted Tray System

Organize Your Kitchen in **11 minutes** or less



Retail Packaged



3" deep tray



6" deep tray

Great for pantries or use it as a spice rack  
 Mount in lower cabinet for cleaning supplies or trash bag storage  
 Holds cans, jars and packets  
 Kit includes 2 pcs of track 18" long and 2 trays

Extra trays sold separately  
 Use multiple kits for oversize pantry doors  
 Heavy duty wire construction  
 Quickly mounts to cabinet door using four screws (included)

	Description	Finish	Width	Depth	Height	Min. Opening	Fits Standard Cabinet Size	Weight Capacity	Ctn Qty
<b>A</b>	DMS3-PC-R Door Mount Tray System 3"	Polished Chrome	11-9/16"	3-1/8"	18-1/8"	11-9/16"	15" – 18" base or wall	30 lb	6
<b>B</b>	DMS6-PC-R Door Mount Tray System 6"	Polished Chrome	11-9/16"	5-15/16"	18-1/8"	11-9/16"	15" – 18" base or wall	30 lb	4
<b>C</b>	DMT3-PC-R Individual 3" deep tray	Polished Chrome	11"	3-1/16"	2-7/8"	11"	–	–	20
<b>D</b>	DMT6-PC-R Individual 6" deep tray	Polished Chrome	11"	5-7/8"	3-7/16"	11"	–	–	20

Organize Your Kitchen in  
**11 minutes**  
 or less



# Single Shelf Lazy Susan

Easy Install  
 Organizers

Retail Packaged

**360°**  
 rotating



- 360 degree revolving tray
- Great for organizing dry goods and cans
- Fits 24" diagonal wall corner cabinet
- Heavy duty wire construction
- Quickly mounts to cabinet floor or fixed shelf using four screws (included)

Description	Finish	Diameter	Height	Fits Standard Cabinet Size	Min. Opening	Weight Capacity	Ctn Qty
MLSR18-S-R Single Shelf Lazy Susan	Polished Chrome	17-5/16"	3-13/16"	24" diagonal wall corner	18"	30 lb	1

# 3 Tier Spice Rack Pulldown

Organize Your Kitchen in **11 minutes** or less



Retail Packaged



- Great for organizing spices and small jars in your cabinets
- Remove clutter of small, hard to reach items
- Simple pull-down motion gives access to 3 tiers of organization
- Quickly mounts to cabinet floor or fixed shelf using four screws (included)
- Designed for 18" standard wall cabinets



Scan to watch the installation video  
<http://delivr.com/2JJWY>



	Description	Finish	Width	Depth	Height	Min. Opening	Fits Standard Cabinet Size	Weight Capacity	Ctn Qty
TTSPD-R	3-Tier Spice Pulldown	Polished Chrome	14-9/16"	10-9/16"	8-5/8"	14-9/16"	18" wall cabinet	20 lb	1



Organize Your Kitchen in  
**11 minutes**  
 or less



# Over the Door Towel Bar

Easy Install  
Organizers

Retail Packaged



- Stainless Steel construction
- No screws required – simply hang it over the cabinet door
- Fits standard cabinet doors & drawers (5/8"–3/4" thick)
- Perfect for kitchens and bathrooms

	Finish	Width	Depth	Height	Ctn Qty
OTDTHSS-R	Stainless Steel	9-3/4"	2-3/8"	2-13/16"	1

# Sink Front Tipout Trays

Organize Your Kitchen in **11 minutes** or less



Retail Packaged



**!** Shown using 2 hinges. Kit includes 4 hinges for installation on 1 or 2 fronts.

See pages 428-429 for individually packaged hinges and trays

- Convert faux drawer panels to functional storage space
- Kit includes two trays, four self-closing tipout hinges and installation screws
- Tray is easily removable for cleaning
- Slim design for use with large sinks

	Finish	Width	Depth	Height	Ctn Qty
TO11-R	White	11"	2"	3"	4 kits
TOSS11-R	Stainless Steel	11"	2"	3"	4 kits
TO11S-R	White	11"	1-9/16"	3"	4 kits
TOSS11S-R	Stainless Steel	11"	1-9/16"	3"	4 kits
TO14-R	White	14"	2"	3"	4 kits
TOSS14-R	Stainless Steel	14"	2"	3"	4 kits
TO14S-R	White	14"	1-9/16"	3"	4 kits
TOSS14S-R	Stainless Steel	14"	1-9/16"	3"	4 kits

Retail Packaged

## Under Cabinet Stemware Rack

- Mounts under the cabinet
- Holds 3 glasses
- Coordinates with Wine Bottle Rack
- Heavy duty wire construction
- Quickly mounts to cabinet with 2 screws (included)

	Finish	Width	Depth	Height	Ctn Qty
STEM1-DBAC-R	Brushed Oil Rubbed Bronze	4-1/16"	9-1/16"	1"	8
STEM1-PC-R	Polished Chrome	4-1/16"	9-1/16"	1"	8
STEM1-SN-R	Satin Nickel	4-1/16"	9-1/16"	1"	8



## Under Cabinet Bottle Rack

- Mounts under the cabinet
- Holds 2 bottles
- Coordinates with Stemware Rack
- Heavy duty wire construction
- Quickly mounts to cabinet with 4 screws (included)

	Finish	Width	Depth	Height	Ctn Qty
WBH-DBAC-R	Brushed Oil Rubbed Bronze	3-15/16"	9-5/16"	9-1/16"	3
WBH-PC-R	Polished Chrome	3-15/16"	9-5/16"	9-1/16"	3
WBH-SN-R	Satin Nickel	3-15/16"	9-5/16"	9-1/16"	3





Retail Packaged



## U-Shaped Tray Divider

- Organize baking sheets, trays, cutting boards
- Use multiple Tray Dividers to customize storage
- Heavy duty wire construction
- Quickly mounts to cabinet bottom with 4 screws (included)

	Finish	Width	Depth	Height	Ctn Qty
TD-PC-R	Polished Chrome	3-7/16"	11-3/4"	9-15/16"	3



## 3-Tier Dishcloth Rack

- Mounts to inside of cabinet door
- Holds 3 towels
- Heavy duty wire construction
- Quickly mounts to cabinet door with 2 screws (included)

	Finish	Width	Depth	Height	Min. Opening	Ctn Qty
DTH-PC-R	Polished Chrome	12-3/4"	15/16"	6-1/16"	15"	8

# Make closet organization a whole lot easier



# Shoe Fences



- Keeps shoes and other items from sliding off closet shelves
- Allows for easy organization of shoes and other items on a shelf
- Available in 17", 23" and 29" lengths
- Heavy duty steel railing available in our most popular finishes: Dark Bronze, Chrome and Satin Nickel
- Easy to install with press-in dowels
- Designed to fit in 5 mm holes on 32 mm spacing



*17" Shoe Fence*

*23" Shoe Fence*

*29" Shoe Fence*

Dimensions	17" W x 1/2" D x 1-3/16" H	23" W x 1/2" D x 1-3/16" H	29" W x 1/2" D x 1-3/16" H
Dark Bronze	SF17-ORB	SF23-ORB	SF29-ORB
Polished Chrome	SF17-PC	SF23-PC	SF29-PC
Satin Nickel	SF17-SN	SF23-SN	SF29-SN
	6 pcs/box 60 pcs/ctn	6 pcs/box 48 pcs/ctn	6 pcs/box 36 pcs/ctn

# Pullout Baskets



- 100 lb full extension ball bearing slides included
- Heavy duty wire construction
- Rubber covers on slide hooks keep basket securely in place but allow easy removal of basket
- Closed corners allow smaller items to be stored without falling out
- Available finishes:  
Chrome, Dark Bronze and Satin Nickel
- For closets 14" deep or 16" deep



Chrome Basket



Dark Bronze Basket



Satin Nickel Basket

1 mm thick clear plastic material with opaque finish

Fitted to basket bottom for easy drop-in installation

Creates a smooth bottom surface for pantry applications



Plastic Liner

Thick canvas material with velcro closures

Machine washable

Fitted to basket even after washing

Great for delicate clothing in closet applications



Canvas Liner

# Pullout Baskets

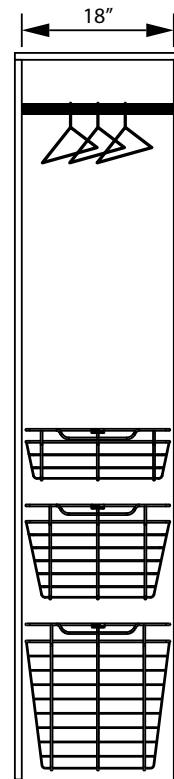
## For 18" wide closets

### 14" Depth Basket

Dimensions	17" W x 14" D x 6" H	17" W x 14" D x 11" H	17" W x 14" D x 17" H
Chrome Basket	POB1-14176CH	POB1-141711CH	POB1-141717CH
Dark Bronze Basket	POB1-14176ORB	POB1-141711ORB	POB1-141717ORB
Satin Nickel Basket	POB1-14176SN	POB1-141711SN	POB1-141717SN
Canvas Liner	BCL-14176-TAN	BCL-141711-TAN	BCL-141717-TAN*
Plastic Liner	POB1PL-14176	POB1PL-141711	POB1PL-141717*
<b>Recommended screw:</b>	<b>#8 truss head or 7 mm Euro screw</b>	<b>#8 truss head or 7 mm Euro screw</b>	<b>#8 truss head or 7 mm Euro screw</b>
	4 pcs/master	4 pcs/master	4 pcs/master

### 16" Depth Basket

Dimensions	17" W x 16" D x 6" H	17" W x 16" D x 11" H	17" W x 16" D x 17" H
Weight Capacity	100 lb	100 lb	100 lb
Chrome Basket	POB1-16176CH	POB1-161711CH	POB1-161717CH
Dark Bronze Basket	POB1-16176ORB	POB1-161711ORB	POB1-161717ORB
Satin Nickel Basket	POB1-16176SN	POB1-161711SN	POB1-161717SN
Canvas Liner	BCL-16176-TAN	BCL-161711-TAN	BCL-161717-TAN*
Plastic Liner	POB1PL-16176	POB1PL-161711	POB1PL-161717*
<b>Recommended screw:</b>	<b>#8 truss head or 7 mm Euro screw</b>	<b>#8 truss head or 7 mm Euro screw</b>	<b>#8 truss head or 7 mm Euro screw</b>
	4 pcs/master	4 pcs/master	4 pcs/master



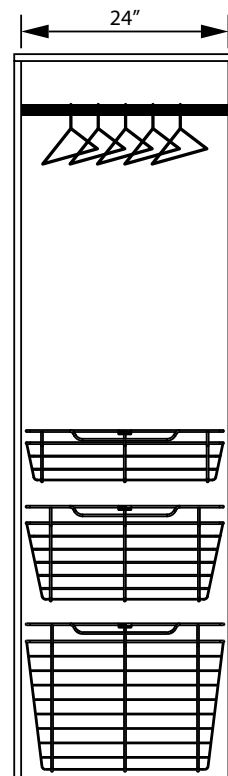
## For 24" wide closets

### 14" Depth Basket

Dimensions	23" W x 14" D x 6" H	23" W x 14" D x 11" H	23" W x 14" D x 17" H
Weight Capacity	100 lb	100 lb	100 lb
Chrome Basket	POB1-14236CH	POB1-142311CH	POB1-142317CH
Dark Bronze Basket	POB1-14236ORB	POB1-142311ORB	POB1-142317ORB
Satin Nickel Basket	POB1-14236SN	POB1-142311SN	POB1-142317SN
Canvas Liner	BCL-14236-TAN	BCL-142311-TAN	BCL-142317-TAN*
Plastic Liner	POB1PL-14236	POB1PL-142311	POB1PL-142317*
<b>Recommended screw:</b>	<b>#8 truss head or 7 mm Euro screw</b>	<b>#8 truss head or 7 mm Euro screw</b>	<b>#8 truss head or 7 mm Euro screw</b>
	4 pcs/master	4 pcs/master	4 pcs/master

### 16" Depth Basket

Dimensions	23" W x 16" D x 6" H	23" W x 16" D x 11" H	23" W x 16" D x 17" H
Weight Capacity	100 lb	100 lb	100 lb
Chrome Basket	POB1-16236CH	POB1-162311CH	POB1-162317CH
Dark Bronze Basket	POB1-16236ORB	POB1-162311ORB	POB1-162317ORB
Satin Nickel Basket	POB1-16236SN	POB1-162311SN	POB1-162317SN
Canvas Liner	BCL-16236-TAN	BCL-162311-TAN	BCL-162317-TAN*
Plastic Liner	POB1PL-16236	POB1PL-162311	POB1PL-162317*
<b>Recommended screw:</b>	<b>#8 truss head or 7 mm Euro screw</b>	<b>#8 truss head or 7 mm Euro screw</b>	<b>#8 truss head or 7 mm Euro screw</b>
	4 pcs/master	4 pcs/master	4 pcs/master





# Pullout Baskets

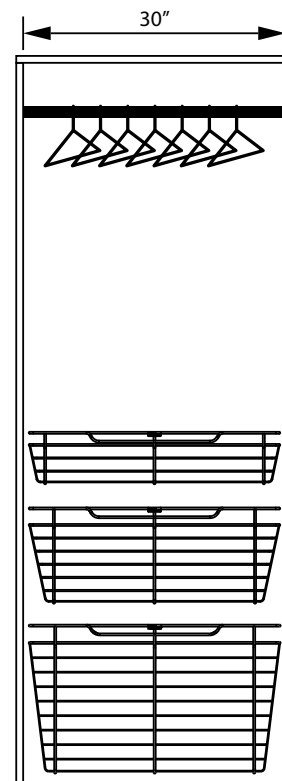
## For 30" wide closets

### 14" Depth Basket

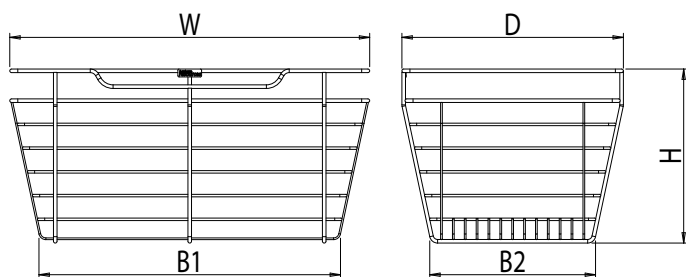
Dimensions	29" W x 14" D x 6" H	29" W x 14" D x 11" H	29" W x 14" D x 17" H
Chrome Basket	POB1-14296CH	POB1-142911CH	POB1-142917CH
Dark Bronze Basket	POB1-14296ORB	POB1-142911ORB	POB1-142917ORB
Satin Nickel Basket	POB1-14296SN	POB1-142911SN	POB1-142917SN
Canvas Liner	BCL-14296-TAN	BCL-142911-TAN	BCL-142917-TAN*
Plastic Liner	POB1PL-14296	POB1PL-142911	POB1PL-142917*
<b>Recommended screw:</b>	<b>#8 truss head or 7 mm Euro screw</b>	<b>#8 truss head or 7 mm Euro screw</b>	<b>#8 truss head or 7 mm Euro screw</b>
	4 pcs/master	4 pcs/master	4 pcs/master

### 16" Depth Basket

Dimensions	29" W x 16" D x 6" H	29" W x 16" D x 11" H	29" W x 16" D x 17" H
Chrome Basket	POB1-16296CH	POB1-162911CH	POB1-162917CH
Dark Bronze Basket	POB1-16296ORB	POB1-162911ORB	POB1-162917ORB
Satin Nickel Basket	POB1-16296SN	POB1-162911SN	POB1-162917SN
Canvas Liner	BCL-16296-TAN	BCL-162911-TAN	BCL-162917-TAN*
Plastic Liner	POB1PL-16296	POB1PL-162911	POB1PL-162917*
<b>Recommended screw:</b>	<b>#8 truss head or 7 mm Euro screw</b>	<b>#8 truss head or 7 mm Euro screw</b>	<b>#8 truss head or 7 mm Euro screw</b>
	4 pcs/master	4 pcs/master	4 pcs/master



Minimum Opening	
Baskets for 14" Wide Closets	17"
Baskets for 24" Wide Closets	23"
Baskets for 30" Wide Closets	29"



	W	D	H	B1	B2
POB1-141711	17"	14"	11"	13-1/16"	10-1/2"
POB1-161711	17"	16"	11"	13-1/16"	12-1/2"
POB1-142311	23"	14"	11"	19-1/16"	10-1/2"
POB1-162311	23"	16"	11"	19-1/16"	12-1/2"
POB1-142911	29"	14"	11"	25-1/16"	10-1/2"
POB1-162911	29"	16"	11"	25-1/16"	12-1/2"

Slides add additional 1" to width

	W	D	H	B1	B2
POB1-14176	17"	14"	6"	15"	12-3/8"
POB1-16176	17"	16"	6"	15"	14-3/8"
POB1-14236	23"	14"	6"	21"	12-3/8"
POB1-16236	23"	16"	6"	21"	14-3/8"
POB1-14296	29"	14"	6"	27"	12-3/8"
POB1-16296	29"	16"	6"	27"	14-3/8"

Slides add additional 1" to width

	W	D	H	B1	B2
POB1-141717	17"	14"	17"	13"	10-9/16"
POB1-161717	17"	16"	17"	13-3/16"	12-9/16"
POB1-142317	23"	14"	17"	19-1/8"	10-9/16"
POB1-162317	23"	16"	17"	19-3/16"	12-9/16"
POB1-142917	29"	14"	17"	25-1/8"	10-9/16"
POB1-162917	29"	16"	17"	25-3/16"	12-9/16"

Slides add additional 1" to width

# Pullout Nylon Hamper



- 100 lb full extension ball bearing slides included
- Heavy duty wire frame construction
- Heavy duty 19" tall black nylon bag featuring ventilated mesh sides and central divider
- Bag is easily removable and includes carry handles
- For closets 14" deep or 18" deep



## For 18" wide closets

### 14" Depth Hamper

Dimensions	17" W x 14" D x 22-1/2" H
Weight Capacity	100 lb
Chrome Frame	POHS-14PC
Dark Bronze Frame	POHS-14ORB
Satin Nickel Frame	POHS-14SN
Replacement bag	POHS14-BAG

**Recommended screw: #8 truss head or 7 mm Euro screw**

4 pcs/master

## For 24" wide closets

### 18" Depth Hamper

Dimensions	23" W x 18" D x 22-1/2" H
Weight Capacity	100 lb
Chrome Frame	POHS-18PC
Dark Bronze Frame	POHS-18ORB
Satin Nickel Frame	POHS-18SN
Replacement bag	POHS18-BAG

**Recommended screw: #8 truss head or 7 mm Euro screw**

4 pcs/master

# Pullout Plastic Hamper



- Chrome wire pullout with white plastic hamper and lid included
- Designed to fit in a 14" deep, 24" wide closet opening
- Features 100 lb full-extension ball bearing slides
- Mounts to the closet bottom
- Optional door mounting bracket sold separately (item # CAN-DOORKITPC)
- Installs with just 4 screws



## For 24" wide closets

### Plastic Hamper Pullout

**Dimensions** 19-3/16" W x 13-3/4" D x 22-11/16" H

Chrome Frame + White Hamper HP-BM1424WPC

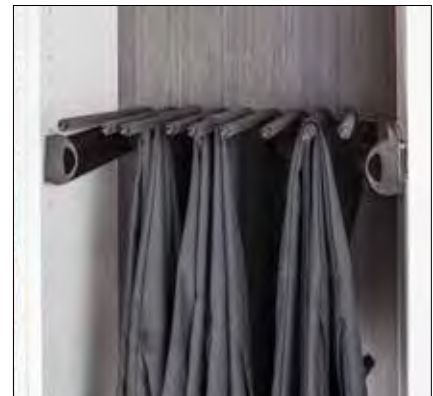
Replacement hamper PH-63W

Door Mounting Kit (Chrome) CAN-DOORKITPC

**Recommended screw:** #8 flat head

1 pc/box

# Pullout Pant Rack



- Features patented\* 32 mm Quick-brac™ bracket for easy installation
- Features 100 lb ball bearing slides
- Designed for 14" deep closets
- Available in three widths: 18", 24" and 30" and three finishes: Dark Bronze, Satin Nickel and Polished Chrome
- Width has 3/4" adjustment
- Euro screws provided for 32 mm installation



**PATENTED**  
10,149,540



Scan to watch the installation video

<http://delivr.com/2T73J>

	18" Pant Rack	24" Pant Rack	30" Pant Rack
<b>Dimensions</b>	Adj. 17-3/8"–18-1/8" W 14" D x 3-1/16" H 9 arms	Adj. 23-3/4"–24-1/2" W 14" D x 3-1/16" H 13 arms	Adj. 29-3/4"–30-1/2" W 14" D x 3-1/16" H 16 arms
<b>Weight Capacity</b>	100 lb	100 lb	100 lb
Dark Bronze	PPR-1814-ORB	PPR-2414-ORB	PPR-3014-ORB
Polished Chrome	PPR-1814-PC	PPR-2414-PC	PPR-3014-PC
Satin Nickel	PPR-1814-SN	PPR-2414-SN	PPR-3014-SN
	1 pc/box	1 pc/box	1 pc/box

# 14" Belt & Tie Racks



Features patented\* 32 mm Quick-brac™ bracket for easy installation

Belt rack has 6 double hooks (12 hooks) to hold an array of belt sizes

Tie rack has 18 hooks, perfect for organizing multiple ties or scarves

Features 100 lb push-to-open ball bearing slides

Easily mounts left or right handed

Designed for 14" deep closets

Available in three finishes:

Dark Bronze, Satin Nickel and Polished Chrome

Euro screws provided for 32 mm installation



**PATENTED**  
10,149,540

**Mounts left or right handed**

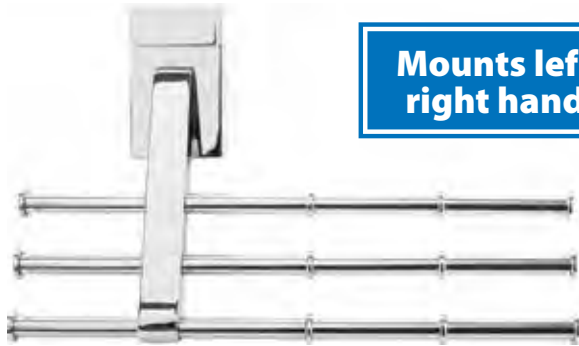


*14" Belt Rack*

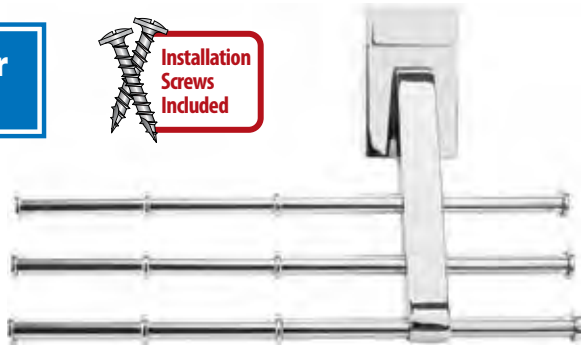
*14" Tie Rack*

Dimensions	13-1/2" W x 1-15/16" D x 2-9/16" H 6 double hooks (12 hooks)	13-1/2" W x 2-7/8" D x 2-9/16" H 18 hooks
<b>Weight Capacity</b>	<b>50 lb</b>	<b>50 lb</b>
Dark Bronze	355B-ORB	355T-ORB
Polished Chrome	355B-PC	355T-PC
Satin Nickel	355B-SN	355T-SN
	1 pc/box	1 pc/box

# Tri-Level Tie Organizer



**Mounts left or right handed**



- Holds up to 12 ties or scarves
- Lip on end of each arm prevents items from sliding off
- Arms can be configured for left or right-hand use
- Compact design has small footprint when installed
- Hidden mounting hardware
- Mounts with 2 screws (included)

*Tri-Level Tie Organizer*

Dimensions	6-3/4" W x 2" D x 4" H
Brushed Oil Rubbed Bronze	356T-DBAC
Polished Chrome	356T-PC
Satin Nickel	356T-SN

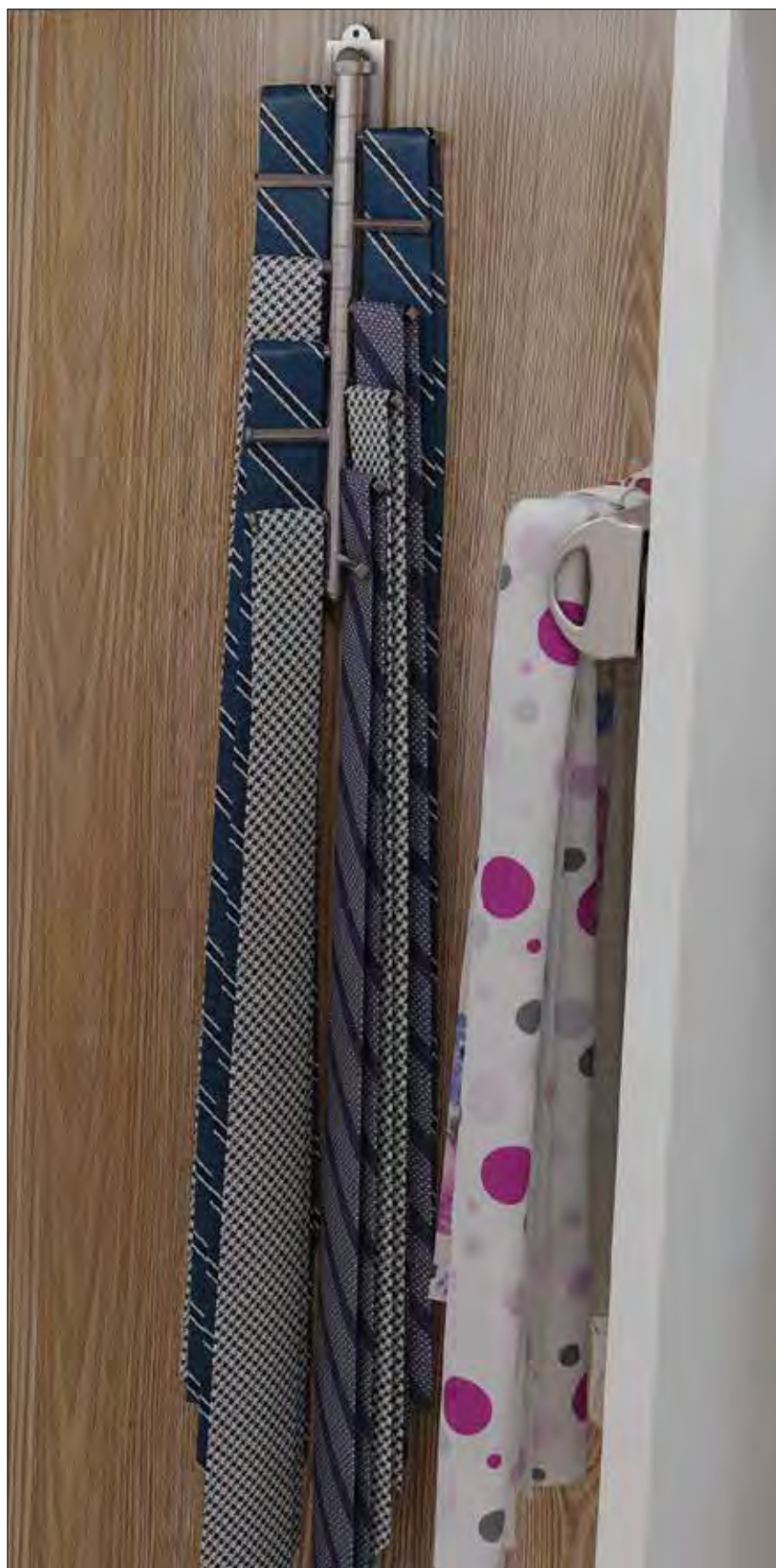
4 pcs/box

# Cascading Tie Organizer

- Great for ties, scarves and belts
- 12 free-swinging hooks
- Lip on end of each hook prevents items from sliding off
- Non-handed unit can be mounted for left or right-hand use
- Vertical design has small footprint when installed
- Quick and easy mounting with 2 screws



PATENTED  
D727,632



*Cascading Tie Organizer*

**Dimensions** 1-1/2" W x 2-7/8" D x 10-1/4" H

**Weight Capacity** 30 lb

Brushed Oil Rubbed Bronze 357T-DBAC

Polished Chrome 357T-PC

Satin Nickel 357T-SN

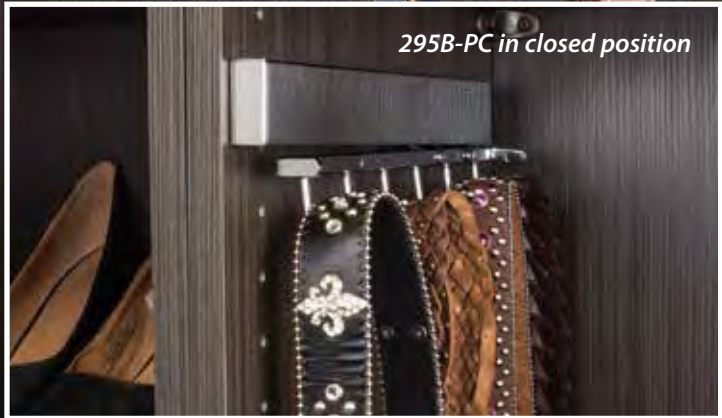
4 pcs/box

# 12" Belt & Tie Racks, Valet Rod



**Mounts left or right handed**

- Holds up to 12 ties or scarves
- Lip on end of each arm prevents items from sliding off
- Arms can be configured for left or right-hand use
- Compact design has small footprint when installed
- Hidden mounting hardware
- Mounts with 2 screws (included)



*Sliding Belt Rack*



*Sliding Tie Rack*



*Sliding Wardrobe/Valet Rod*

Dimensions	295mm (11-5/8") Overall Length 6 Belt Hooks, 50mm Spacing	295mm (11-5/8") Overall Length 6 Sets of Pegs to Hold 12 Ties	295mm (11-5/8") Overall Length Built-in Stopper on Ends
<b>Weight Capacity</b>	<b>50 lb</b>	<b>50 lb</b>	<b>50 lb</b>
Brushed Oil Rubbed Bronze	295B-DBAC	295T-DBAC	295W-DBAC
Polished Chrome	295B-PC	295T-PC	295W-PC
	1 pc/box 20 sets/ctn	1 pc/box 20 sets/ctn	1 pc/box 20 sets/ctn



# Screw-Mount Racks

Mounts easily with the included wood screws in tight spaces where you may not have the room for a sliding accessory rack

Simple way to organize ties, belts, scarves or necklaces

Each rack is polybagged with attachment screws and UPC labeled

Belt rack has 6 hooks, and tie rack has 6 double hooks

Each hook has a slip resistant clear vinyl cover

Multiple applications including pantries, utility rooms, closets or anywhere that needs an optimized storage solution for hanging items



Screw-Mount Belt Rack



Screw-Mount Tie Rack

Dimensions	11" W x 1-3/4" D x 1-3/4" H 6 Belt Hooks, 50mm Spacing	11" W x 2-1/4" D x 2" H 6 Sets of Pegs to Hold 12 Ties
Weight Capacity	30 lb	30 lb
Brushed Oil Rubbed Bronze	296B-DBAC	296T-DBAC
Polished Chrome	296B-PC	296T-PC

1 pc/polybag  
40 sets/ctn

1 pc/polybag  
40 sets/ctn

# Telescoping Valet Rods



Telescoping valet rods are the perfect accessory for any closet. They allow you to easily organize your clothes for the next day. Fully extended, they add an additional 10" of hanging space. With a 30 lb weight capacity they can easily hold business suits or garment bags. Individually boxed with attachment hardware and installation instructions.

For clothes hangers and hanging garment bags  
 30 lb weight capacity  
 Material: Anodized Aluminum  
 Installation hardware and instructions included



355V-PC  
 Polished Chrome

14" Telescoping Valet Rod

Dimensions	1-1/16" W x 13-11/13" D x 1-13/16" H
Weight Capacity	45 lb
Polished Chrome	355V-PC

1 set/box  
 12 sets/ctn

**Mounts left or right handed**



# Jewelry Trays



This felt lined jewelry drawer is a perfect way to complete your closet. The jewelry organizer comes in two different configurations: a 5 compartment deep organizer and a 10 compartment shallow organizer with ring insert. Both jewelry drawers are available in black or grey. The jewelry drawer is designed as a complete drawer solution with our 100 lb soft-close slides preinstalled. Works great behind a set of doors or you can mount a drawer front for a more finished look.



- MDF construction, felt lined
- Drawer front can be mounted to front of tray
- Ships fully assembled and ready to install
- 100 lb soft-close slides

	<i>5 Compartment Jewelry Organizer</i>	<i>10 Compartment Jewelry Organizer</i>
Dimensions	23-7/8" W x 14" D x 4" H	23-7/8" W x 14" D x 2" H
Black	JD1-24-BL	JD1-24R-BL
Grey	JD1-24-GR	JD1-24R-GR
Recommended screw:	#8 truss head or 7 mm Euro screw	#8 truss head or 7 mm Euro screw
	1/box 4/ctn	1/box 4/ctn

# Wardrobe Lift

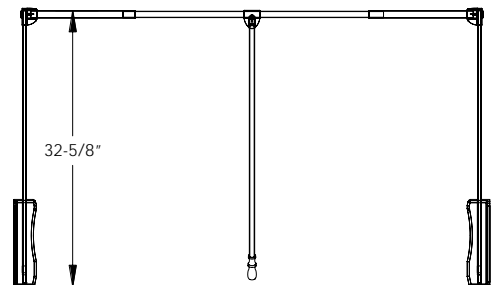


Side-mount wardrobe lift with 45 lb weight capacity  
 Heavy duty steel construction with plastic housing and handle  
 Three sizes available and width adjustable to fit a wide range of openings  
 Handle is adjustable for different desired heights  
 Instructions, mounting hardware and bumper stops included (some assembly required)

**Note:** Max handle extension is 41-1/2"

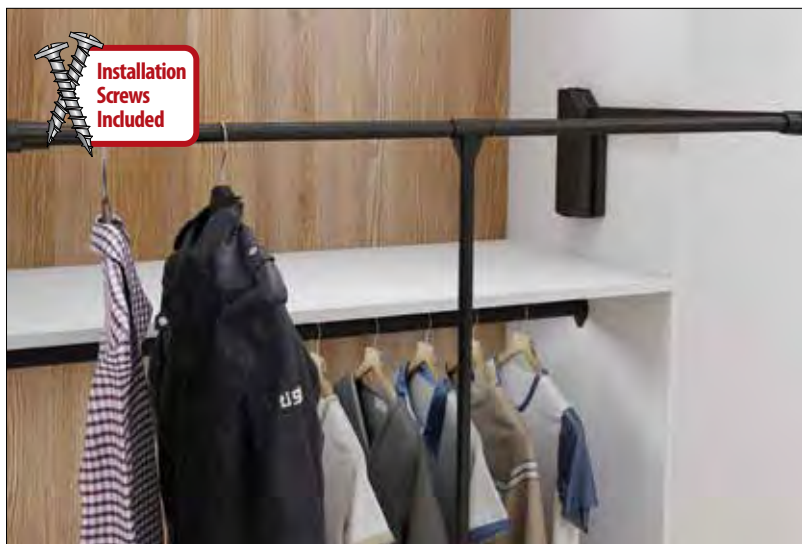


*Bumper prevents over-extension of arm*

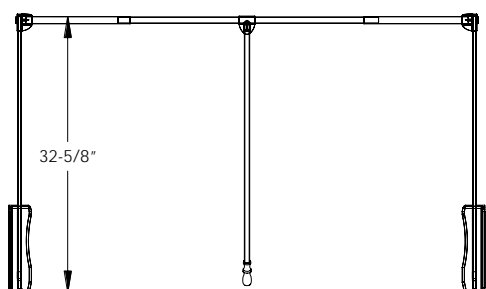


	For 21" – 24" openings	For 25-1/2" – 35" openings	For 33" – 48" openings
<b>Weight Capacity</b>	<b>45 lb</b>	<b>45 lb</b>	<b>45 lb</b>
Chrome with Black Handle & Housing	1521	1523	1532
Black	–	1523-BLK	1532-BLK
	1 set/box 6 sets/ctn	1 set/box 6 sets/ctn	1 set/box 6 sets/ctn

# Wardrobe Lift with Soft-close



- Integrated soft-close ensures smooth operation up & down
- Side-mount wardrobe lift with 45 lb weight capacity
- Heavy duty steel construction with plastic housing & handle
- Two sizes available and width adjustable to fit a wide range of openings
- Handle is adjustable for different desired heights
- Features mounting brackets to make installation easier and provide a clean finished look
- Instructions and mounting hardware included (some assembly required)



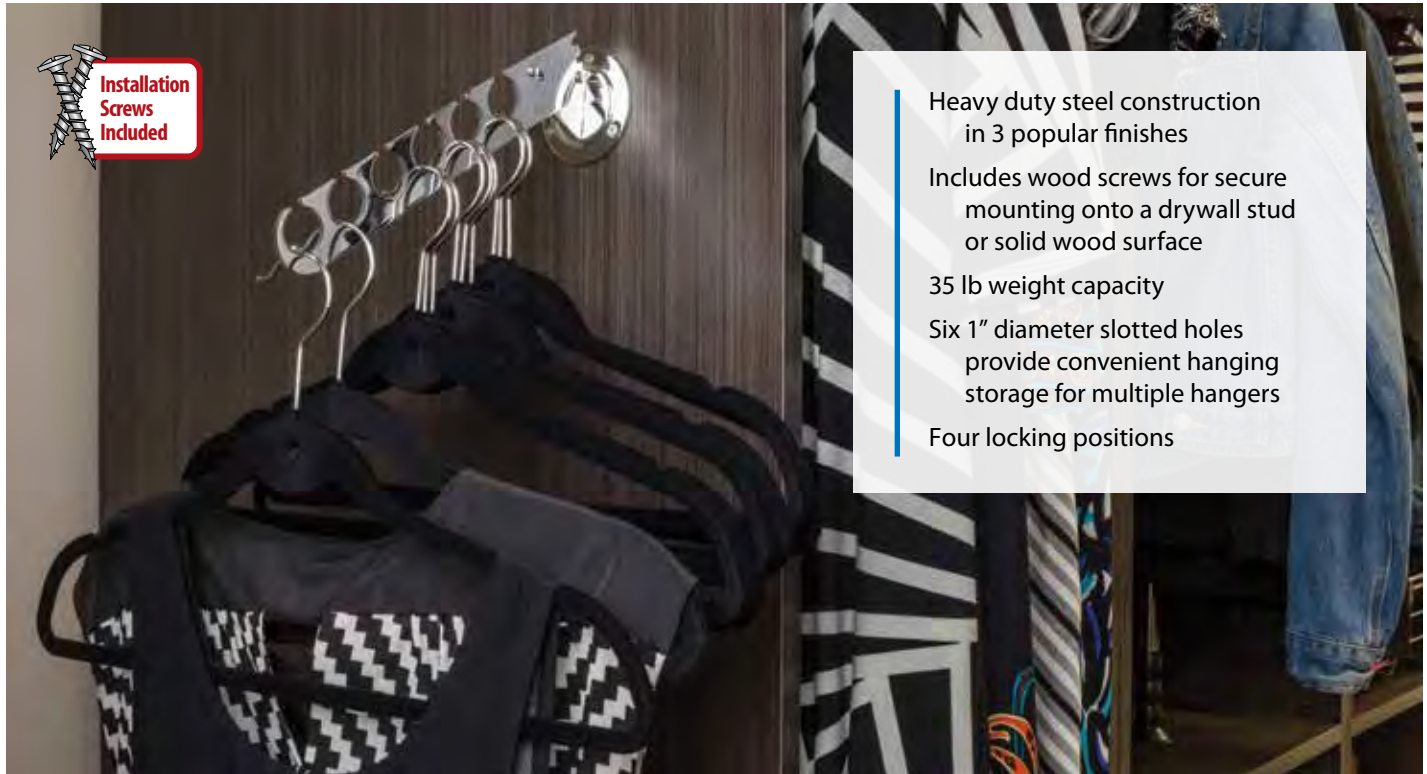
*Soft-close bumper for smooth operation*

*Hidden mounting screws*



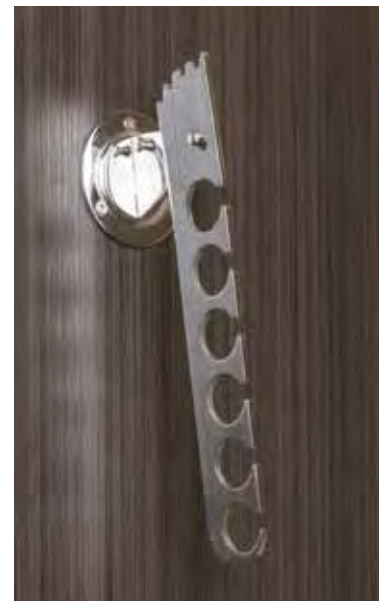
	For 25-1/2" – 35" openings	For 33" – 48" openings
<b>Weight Capacity</b>	<b>45 lb</b>	<b>45 lb</b>
Chrome with Silver Handle & Housing	1523SC-PC	1532SC-PC
Black	1523SC-BLK	1532SC-BLK
	1 set/box 4 sets/ctn	1 set/box 4 sets/ctn

# Laundry Valet



- Heavy duty steel construction in 3 popular finishes
- Includes wood screws for secure mounting onto a drywall stud or solid wood surface
- 35 lb weight capacity
- Six 1" diameter slotted holes provide convenient hanging storage for multiple hangers
- Four locking positions

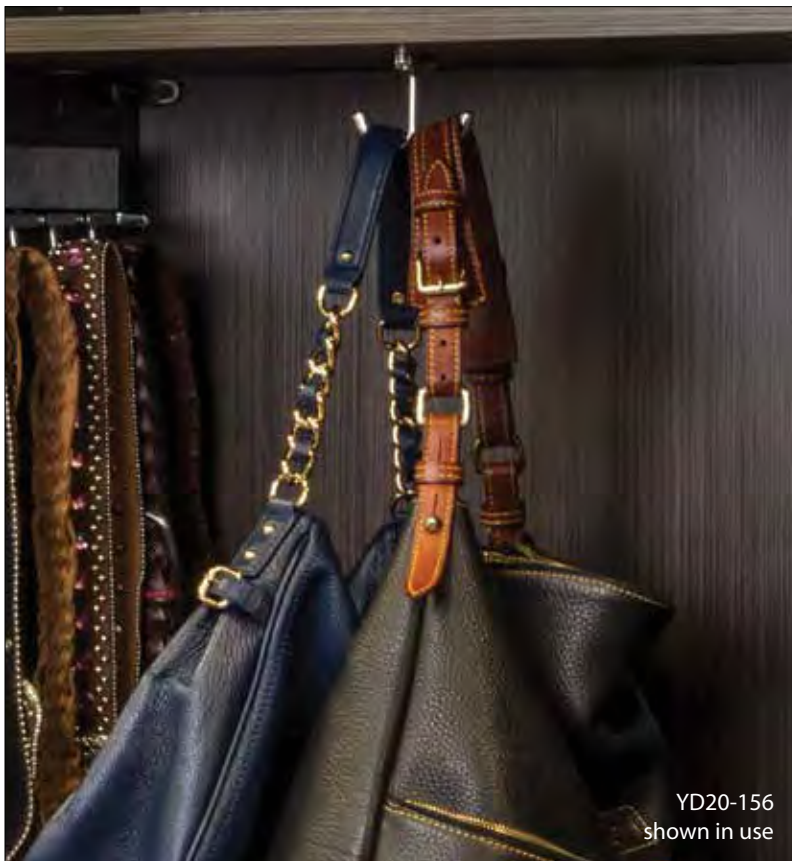
Our heavy duty laundry valet offers convenient and stylish hanging storage for your garments. The valet features an adjustable design that locks into four different angled positions and folds down when not in use. Its six slotted hole design can hold multiple hangers at a time, and wire neck hangers can easily be moved around. This versatile hanger is great for hanging garments to air dry in a laundry room, to hold coats in a closet or mudroom, or to create additional hanging space in the closet.



*276LV-PC in down position*

<i>Laundry Valet</i>	
<b>Dimensions</b>	<b>3" W x 10-15/16" D x 3" H</b>
<b>Weight Capacity</b>	<b>35 lb</b>
Brushed Oil Rubbed Bronze	276LV-DBAC
Polished Chrome	276LV-PC
Satin Nickel	276LV-SN

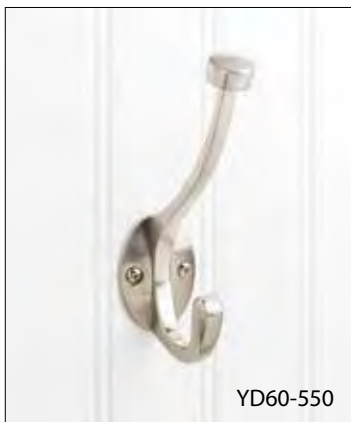
4 pcs/box  
32 pcs/ctn



# Decorative Hooks

## All Hardware Resources hooks are:

- Made to Last – Manufactured from zinc die-cast and weight tested to hold up to 35 lb.
- Same Beautiful Finishes – Available in the same popular finishes as our Jeffrey Alexander and Elements decorative cabinet hardware for a cohesive look throughout the house.
- Lifetime Warranty – Hardware Resources believes in quality, integrity, and reliability by offering a lifetime warranty on all our hooks.



Brushed Oil Rubbed Bronze (DBAC)

Satin Nickel (SN)

Polished Chrome (PC)

YD60-550



Brushed Oil Rubbed Bronze (DBAC)

Satin Nickel (SN)

Polished Chrome (PC)

YD55-587

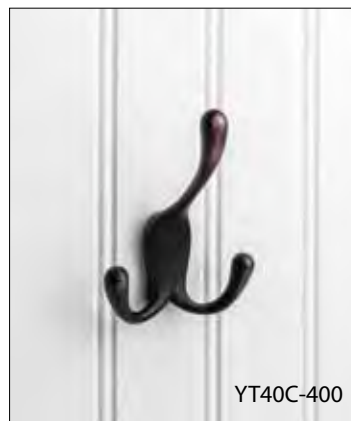


Brushed Oil Rubbed Bronze (DBAC)

Satin Nickel (SN)

Polished Chrome (PC)

YD45-431



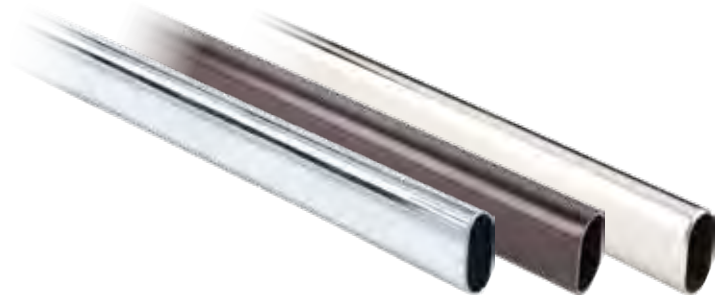
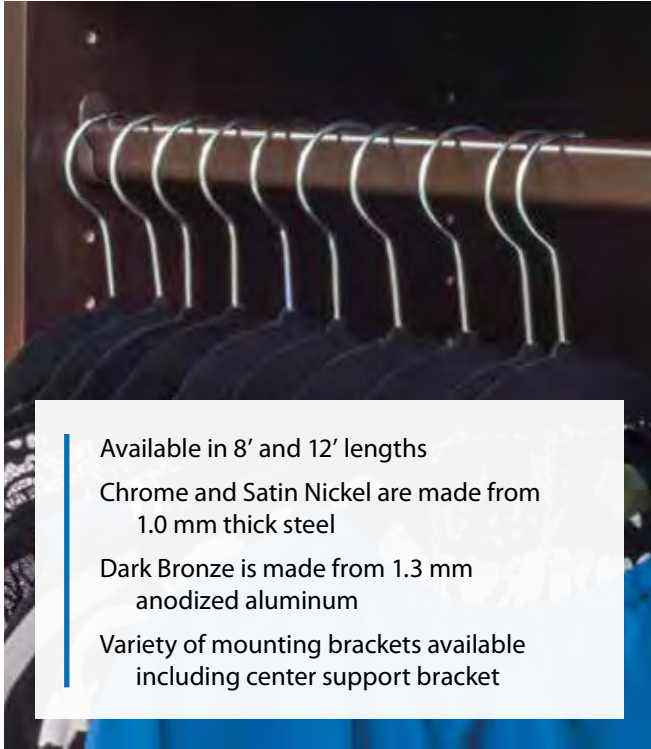
Brushed Oil Rubbed Bronze (DBAC)

Satin Nickel (SN)

Polished Chrome (PC)

YT40C-400

# Oval Closet Rods



Available in 8' and 12' lengths  
 Chrome and Satin Nickel are made from 1.0 mm thick steel  
 Dark Bronze is made from 1.3 mm anodized aluminum  
 Variety of mounting brackets available including center support bracket

	8' Oval Rod	12' Oval Rod
<b>Dimensions</b>	19/32" x 1-3/16" x 8' CH & SN 1.0 mm Thick ORB 1.3 mm Thick	19/32" x 1-3/16" x 12' CH 1.0 mm Thickness ORB 1.3 mm Thickness
Chrome STEEL	15302CH-2	153012CH-2
Dark Bronze ALUMINUM	15302ORB-2	153012ORB-2
Satin Nickel STEEL	15302SN-2	
	10 pcs/ctn*	10 pcs/ctn*

*\*NO BROKEN CARTONS. FULL CARTONS ONLY*

## Shelf & Rod Support Bracket

Heavy duty 1" wide steel design  
 Supports up to 150 lbs per bracket  
 Designed for use with Hardware Resources 15 mm x 30 mm Oval Closet Rods.  
 8' and 12' rods available in Chrome (steel), Dark Bronze (aluminum) and Satin Nickel (steel)  
 10-3/4" overall height x 11-3/4" overall depth (11" interior bracket depth) x 1" wide  
 Screws included: 2 pcs #8 x 2" pan head for wall installation and #8 x 5/8" pan head to secure shelf



Dimensions	1" W x 11-3/4" D x 10-3/4" H
<b>Weight Capacity</b>	<b>150 lb</b>
Chrome STEEL	1530CH
Dark Bronze STEEL	1530ORB
Satin Nickel STEEL	1530SN
	2 pc/box 20 pcs/ctn





## Support Brackets



*Knock-in Mounting Bracket*



*Screw-in Mounting Bracket*

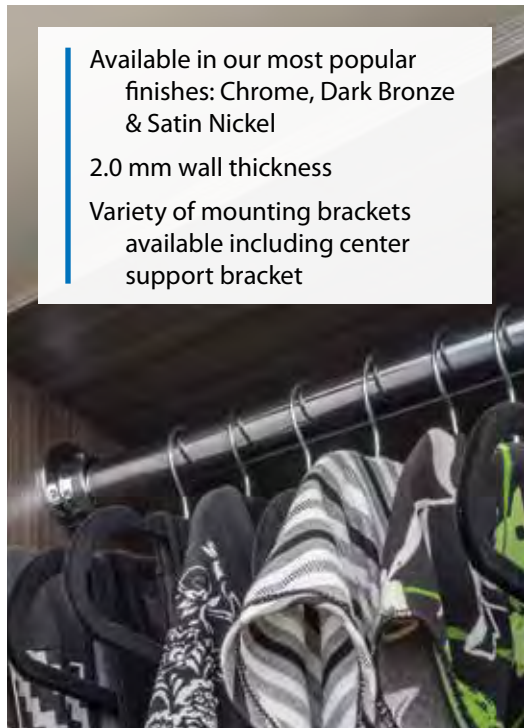


*Center Support Bracket*

Dimensions	5 mm Diameter Posts 32 mm Center to Center 1 Hole for Extra Screw	22 mm Center to Center Holes	28 mm Center to Center Holes 3" Overall Height
Chrome	M7160	M7175	M7190
Dark Bronze	M7160-ORB	M7175-ORB	M7190-ORB
Satin Nickel	M7160-SN	M7175-SN	M7190-SN
<b>Recommended screw:</b>	<b>#6 flat head (optional)</b>	<b>#6 flat head</b>	<b>#6 flat head</b>
	100 pcs/box 1000 pcs/ctn	100 pcs/box 1000 pcs/ctn	50 pcs/box 500 pcs/ctn

# Round Closet Rods

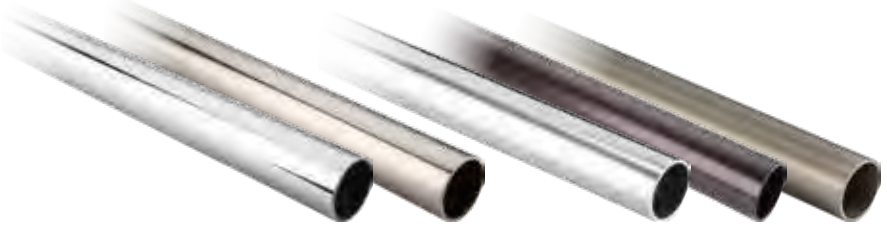
## Rods - 1-5/16" Diameter



Available in our most popular finishes: Chrome, Dark Bronze & Satin Nickel

2.0 mm wall thickness

Variety of mounting brackets available including center support bracket



	8' Round Rod - Steel	8' Round Rod - Aluminum
Dimensions	1-5/16" Diameter x 8' 2.0 mm Wall Thickness	1-5/16" Diameter x 8' 2.0 mm Wall Thickness
Chrome	151696CH-2	151696CH-A
Dark Bronze		151696ORB-2
Satin Nickel	151696SN-2	151696SN-A

6 pcs/ctn\*

6 pcs/ctn\*

*\*NO BROKEN CARTONS. FULL CARTONS ONLY*

## Shelf & Rod Support Bracket

Heavy duty 1" wide steel design

Supports up to 150 lbs per bracket

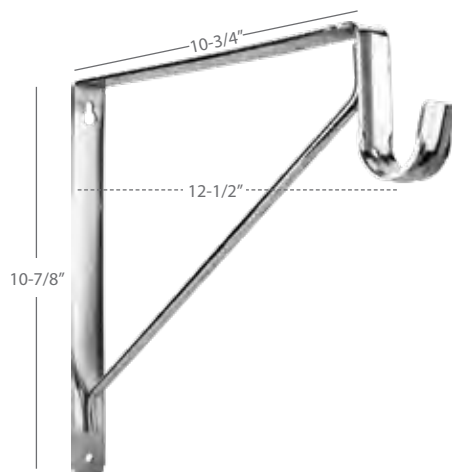
Designed for use with Hardware Resources 1-5/16" Diameter Round Closet Rods.

8' rods available in Chrome (steel), Dark Bronze (aluminum) and Satin Nickel (steel)

10-7/8" overall height x 12-1/2" overall depth (10-3/4" interior bracket depth) x 1" wide

Screws included: 2 pcs #8 x 2" pan head for wall installation and

#8 x 5/8" pan head to secure shelf

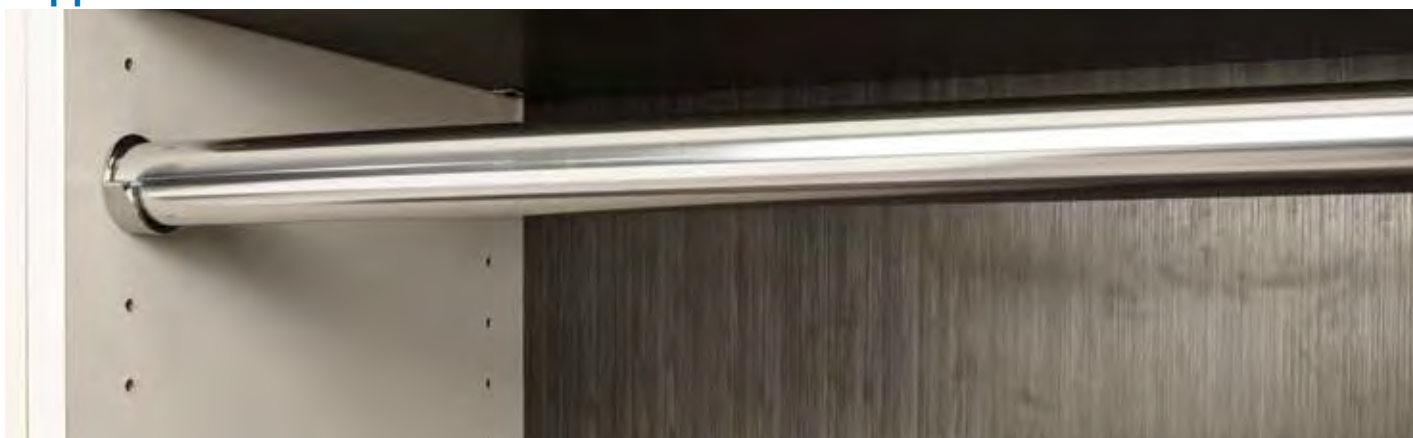


Dimensions	1" W x 12-1/2" D x 10-7/8" H
<b>Weight Capacity</b>	<b>150 lb</b>
Chrome STEEL	1516CH
Dark Bronze STEEL	1516ORB
Satin Nickel STEEL	1516SN
White STEEL	1516WH

2 pc/box  
20 pcs/ctn

# Round Closet Rods

## Support Brackets



Dimensions	5 mm Diameter Posts 32 mm Center to Center 1 Hole for Extra Screw		2-11/16" Overall Width 3 Holes for Screws		2" Center to Center Holes 3" Overall Height
Chrome	M7340-CH	M7345-CH	M7350-CH	M7360-CH	M7370-CH
Dark Bronze	M7340-ORB	M7345-ORB	M7350-ORB	M7360-ORB	M7370-ORB
Satin Nickel	M7340-SN	M7345-SN	M7350-SN	M7360-SN	M7370-SN
<b>Recommended screw:</b>	<b>#6 flat head (optional)</b>	<b>#6 flat head (optional)</b>	<b>screws included</b>	<b>screws included</b>	<b>#6 flat head</b>
	50 pcs/box 200 pcs/ctn	50 pcs/box 200 pcs/ctn	20 pcs/box 200 pcs/ctn	50 pcs/box 200 pcs/ctn	50 pcs/box 200 pcs/ctn

# Round Closet Rods

## Rods - 1-1/16" Diameter

Woodwork Institute Approved  
 Available in 8' and 12' lengths  
 2.0 mm wall thickness  
 Heavy duty steel  
 Variety of mounting brackets available including center support bracket



	8' Round Rod	12' Round Rod
<b>Dimensions</b>	1-1/16" Dia. x 8' 2.0 mm Wall Thickness	1-1/16" Dia. x 12' 2.0 mm Wall Thickness
Chrome STEEL	111696CH-2	111612CH

6 pcs/ctn\*

6 pcs/ctn\*

\*NO BROKEN CARTONS. FULL CARTONS ONLY

## Support Brackets



Open Knock-in Mounting Bracket



Open Screw-in Mounting Bracket



Closed Screw-in Mounting Bracket



Center Support Bracket

Dimensions	5 mm Diameter Posts 32 mm Center to Center 1 Hole for Extra Screw	2-11/16" Overall Length 2" Center to Center Holes	28 mm Center to Center Holes 3" Overall Height	
Chrome	M7240	M7250	M7260	M7270
<b>Recommended screw:</b>	#6 flat head (optional)	screws included	screws included	#6 flat head
	250 pcs/ctn	250 pcs/ctn	250 pcs/ctn	50 pcs/box 200 pcs/ctn

# Round Closet Rods

## Rods - 1" Diameter

Anodized aluminum  
 1.2 mm wall thickness  
 Variety of mounting brackets available including center bracket



8' Round Rod

Dimensions	1" Diameter x 8' 1.2 mm Wall Thickness
Dark Bronze ALUMINUM	100096ORB-2

6 pcs/ctn\*

\*NO BROKEN CARTONS. FULL CARTONS ONLY

## Support Brackets



Open Knock-in Mounting Bracket



Open Screw-in Mounting Bracket



Closed Screw-in Mounting Bracket



Center Support Bracket

Dimensions	5 mm Diameter Posts 32 mm Center to Center 1 Hole for Extra Screw	2-11/16" Overall Length 2" Center to Center Holes	2" Center to Center Holes 3" Overall Height
Dark Bronze	M7240-ORB	M7250-ORB	M7260-ORB
Recommended screw:	#6 flat head (optional)	screws included	screws included
	250 pcs/ctn	250 pcs/ctn	250 pcs/ctn
			50 pcs/box 200 pcs/ctn

## LED Lighted Closet Rod

High light output – 400 lumens per foot  
Fully assembled LED round closet rod with a rigid LED board for "no dot" effect

Design By: Artistic Cabinetry

### APPLICATIONS

- Closet
- Laundry Room
- Stair Railing

### FEATURES

- Flange set included with each Lighted Closet Rod
- Compatible with WAV Smart Control
- Each end is field trimmable up to 3"
- High light output at 400 lumens per foot
- 4 watts per foot
- 90 CRI (Color Rendering Index - true color)
- Fully assembled round-shaped rod fixture with frosted, light-diffusing lens for "no dot" effect
- No Ultraviolet (UV) or Infrared (IR)
- 50,000 hour LED life at 70% lumen maintenance
- 12 volt DC plug-in or hardwired power supply required (order separately)
- **Accessories sold separately:** WireWay and Center Bracket Support
- UL Listed

### KELVIN TEMPERATURE OPTIONS

- 2700K (27) – Warm White
- 3000K (30) – Soft White
- 4000K (40) – Cool White
- 5000K (50) – Daylight White

### LED SPECIFICATIONS

LED Beam Angle – 120°

LED Board – 6" or 12"

**NOTE:** LED boards are placed in the center of each fixture

### INSTALLATION COMPONENTS

See page <?>

### POWER SUPPLIES

**NOTE:** This product requires a 12V DC power supply

See page <?>

### WIRE

See page <?>

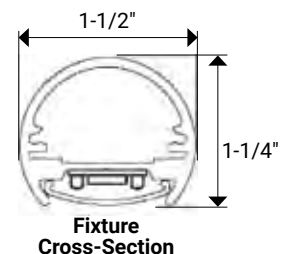
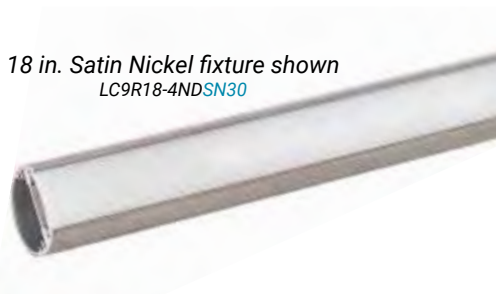
### COMPATIBLE DIMMING SYSTEMS

See page <?>

### SENSORS AND SWITCHES

See page <?>

18 in. Satin Nickel fixture shown  
LC9R18-4NDSN30

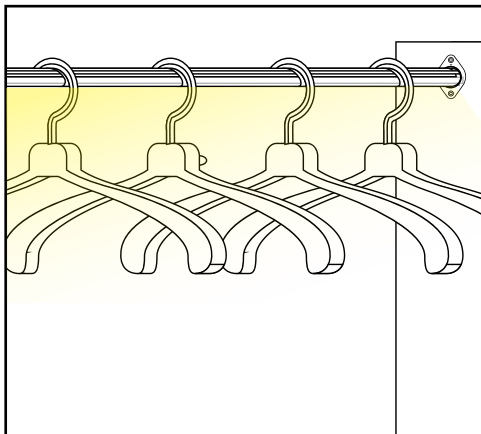
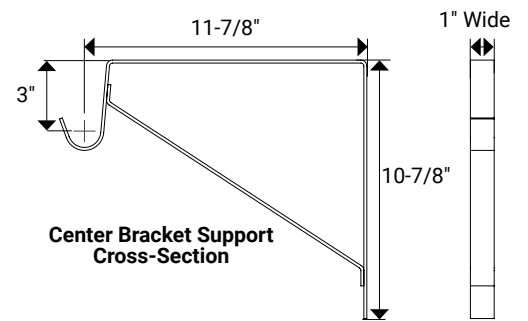
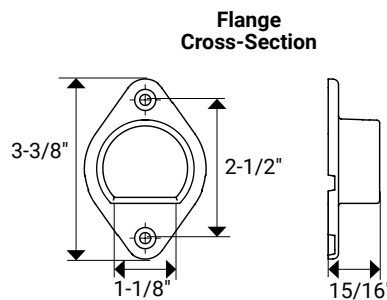
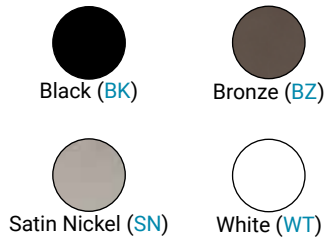


Blue indicates dealer choice. Finish indicates Finish Option. Temp indicates Kelvin Temperature.  
LC9R24-6NDBK30 (Example part number for 24" Lighted Closet Rod with a Black Finish in 3000K Kelvin temperature)

## 4 WATTS PER FOOT

Part Number	Dimensions	Total Watts	Lumens
LC9R18-4NDFinishTemp	18" x 1-1/2" x 1-1/4" (457 mm x 38 mm x 32 mm)	4	400
LC9R24-6NDFinishTemp	24" x 1-1/2" x 1-1/4" (610 mm x 38 mm x 32 mm)	6	600
LC9R30-8NDFinishTemp	30" x 1-1/2" x 1-1/4" (762 mm x 38 mm x 32 mm)	8	800
LC9R36-10NDFinishTemp	36" x 1-1/2" x 1-1/4" (914 mm x 38 mm x 32 mm)	10	1000
LC9R42-12NDFinishTemp	42" x 1-1/2" x 1-1/4" (1067 mm x 38 mm x 32 mm)	12	1200
LC9R48-14NDFinishTemp	48" x 1-1/2" x 1-1/4" (1219 mm x 38 mm x 32 mm)	14	1400
LC9R54-16NDFinishTemp	54" x 1-1/2" x 1-1/4" (1372 mm x 38 mm x 32 mm)	16	1600
LC9R60-18NDFinishTemp	60" x 1-1/2" x 1-1/4" (1524 mm x 38 mm x 32 mm)	18	1800
LC9R66-20NDFinishTemp	66" x 1-1/2" x 1-1/4" (1676 mm x 38 mm x 32 mm)	20	2000
LC9R72-22NDFinishTemp	72" x 1-1/2" x 1-1/4" (1829 mm x 38 mm x 32 mm)	22	2200
LC9R78-24NDFinishTemp	78" x 1-1/2" x 1-1/4" (1981 mm x 38 mm x 32 mm)	24	2400
LC9R84-26NDFinishTemp	84" x 1-1/2" x 1-1/4" (2134 mm x 38 mm x 32 mm)	26	2600
LC9R90-28NDFinishTemp	90" x 1-1/2" x 1-1/4" (2286 mm x 38 mm x 32 mm)	28	2800

## FINISH OPTIONS



Mount similar to regular closet rod

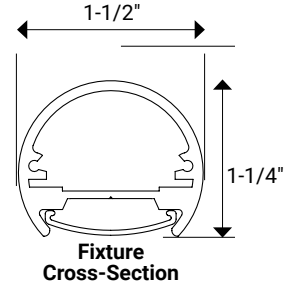
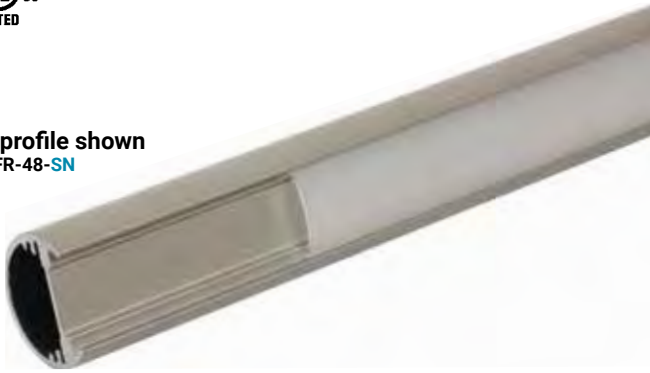


# Lighted Closet Rod Profile

Circular closet rod profile with frosted lens

**3 YEAR WARRANTY** 

Satin Nickel profile shown  
L-0CL-FR-48-SN

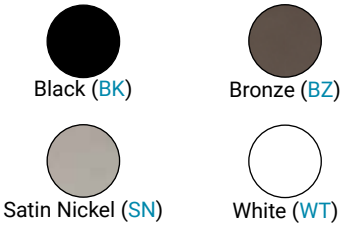


## Profile

PART NUMBER	DESCRIPTION	DIMENSIONS	FINISH OPTIONS
L-0LC-FR-48- <i>Finish</i>	48" Lighted Closet Rod Profile with frosted lens.	48" x 1-1/2" x 1-1/4"	Black (BK), Bronze (BZ), Satin Nickel (SN), White (WT)
L-0LC-FR-90- <i>Finish</i>	90" Lighted Closet Rod Profile with frosted lens.	90" x 1-1/2" x 1-1/4"	Black (BK), Bronze (BZ), Satin Nickel (SN), White (WT)

*Blue indicates customer choice. Finish indicates fixture finish color.*

## FINISH OPTIONS



## OPTIONAL INSTALLATION COMPONENTS

PART NUMBER	DESCRIPTION	DIMENSIONS
LC9R-CBS- <i>Finish</i>	Center Bracket Support (Use every 48") Available in Black (BK), Bronze (BZ), Satin Nickel (SN) or White (WT)	11-7/8" x 1" x 10-7/8"
LC9R-FS-P- <i>Finish</i>	Flange set for Lighted Closet Rod and profile. Available in Black (BK), Bronze (BZ), Satin Nickel (SN) or White (WT)	3-3/8" x 2-1/2" x 1-1/8"
SG9-WW-48 <i>Color</i>	48" field-cuttable WireWay. Available in Black (BK), Grey (GR), or White (WT)	48" x 3/4" x 11/16"

## FEATURES

- Circular Closet Rod – 1-1/4"
- Concealed wire management
- Field trimmable
- Simple to install
- 3-year limited warranty
- Profile with frosted, light-diffusing lens
- Accessories sold separately: WireWay, Center Bracket Support, Flange Set
- 12-volt or 24-volt DC plug-in or hardwired power supply required (order separately)

## TECHNICAL INFORMATION

<b>Series</b>	Profiles – Lighted Closet Rod
<b>Cuttable</b>	Yes
<b>Rating</b>	UL & cUL Listed
<b>Mounting</b>	Flange Set (sold separately), Screws (included with flange set)
<b>Environment</b>	Dry, Damp, Wet locations
<b>Construction Material</b>	Extruded aluminum, IR Acrylic (lens)
<b>Warranty</b>	3 years

## APPLICATIONS

- Closet
- Stair Railing
- Laundry Room



## COMPATIBLE 12 VOLT TAPE LIGHTING

PART NUMBER	DESCRIPTION	LUMENS PER FOOT	KELVIN TEMPERATURES
L-T600-16-MW	16 ft. roll of tunable white LED Tape Light featuring two-wire TandemLED technology. Protective IP65 rated micro-waterproof coating.	280 (918/M)	Tunable White Light from 2700K – 5000K
L-RGMW300-16-Temp	(2) 8 ft. rolls of 10 mm wide, higher light output, LED Tape Lighting. Protective IP65 rate micro-waterproof coating.	466 (1527/M)	2700K (27), 3000K (30), 4000K (40), 5000K (50)
L-VMW600-16-Temp	16 ft. roll of 8 mm wide, high light output, LED Tape Light. Protective IP65 rate micro-waterproof coating.	225 (738/M)	2700K (27), 3000K (30), 4000K (40), 5000K (50)
L-VMW600-32-Temp	32 ft. roll of 8 mm wide, high light output, LED Tape Light. Protective IP65 rate micro-waterproof coating.	225 (738/M)	2700K (27), 3000K (30), 4000K (40), 5000K (50)
L-V600-100-Temp	16 ft. roll of 8 mm wide, high light output, LED Tape Light. NON-waterproof rated.	225 (738/M)	2700K (27), 3000K (30), 4000K (40), 5000K (50)
L-RMW300-16-Temp	16 ft. roll of 8 mm wide, medium light output, LED Tape Light. Protective IP65 rate micro-waterproof coating.	120 (395/M)	2700K (27), 3000K (30), 4000K (40), 5000K (50)
L-RMW300-32-Temp	32 ft. roll of 8 mm wide, medium light output, LED Tape Light. Protective IP65 rate micro-waterproof coating.	120 (395/M)	2700K (27), 3000K (30), 4000K (40), 5000K (50)
L-DMW150-16	16 ft. roll of 8 mm wide, multi-color light output, LED Tape Light. Protective IP65 rate micro-waterproof coating.	49 (160/M)	2700K (27), 3000K (30), 4000K (40), 5000K (50)
L-RGB-M300-16	16 ft. roll of 10 mm wide, multi-color light output, LED Tape Light. Protective IP65 rate micro-waterproof coating.	260 (854/M)	Multi-Color Changing
L-RGBM300-32	32 ft. roll of 10 mm wide, medium light output, LED Tape Light. Protective IP65 rate micro-waterproof coating.	260 (854/M)	Multi-Color Changing

## COMPATIBLE 24 VOLT TAPE LIGHTING

PART NUMBER	DESCRIPTION	LUMENS PER FOOT	KELVIN TEMPERATURES
L-T24-16-MW	16 ft. roll of tunable white LED Tape Light featuring two-wire TandemLED technology. Protective IP65 rated micro-waterproof coating.	280 (918/M)	Tunable White Light from 2700K – 5000K
L-VMW24-16-Temp	16 ft. roll of 8 mm wide, high light output, LED Tape Light. Protective IP65 rate micro-waterproof coating.	225 (738/M)	2700K (27) 3000K (30) 4000K (40)
L-RMW24-16-Temp	16 ft. roll of 8 mm wide, medium light output, LED Tape Light. Protective IP65 rate micro-waterproof coating.	120 (395/M)	2700K (27) 3000K (30) 4000K (40)

# Dovetail Drawer Boxes for Closets

## Ordering specifications:

- Standard Drawer, Rollout, or High-Back Rollout Boxes
- Assembled or Unassembled
- Standard Heights with Custom Depth & Width
- 1/4" Standard or 1/2" Bottom
- Optional Universal Notch for Undermount Slides
- Optional Undermount Slide Clip factory installed

Easy Online Ordering & Instant Price Quoting

See website for details

## Production and delivery:

- Competitive pricing
- Standard 7 Day Turnaround after order confirmation
- Quick-to-Ship production on qualifying states



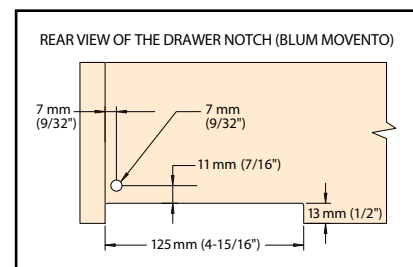
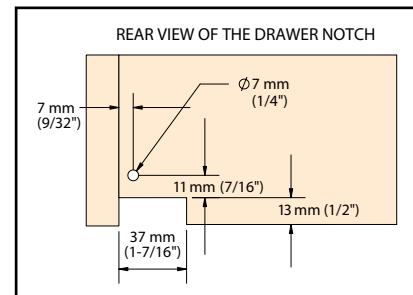
- A** 5/8" Hard Maple ..... UV Coated or Unfinished
- B** 5/8" Aspen ..... UV Coated
- C** 5/8" White Birch, Imported, Finger Jointed..... UV Coated
- D** 1/2" Birch Plywood ..... UV Coated or Unfinished
- E** 1/2" Birch Plywood Edgebanded ..... UV Coated
- F** 5/8" Rustic White Birch, Imported, Finger Jointed.. UV Coated
- G** 5/8" Rubberwood, Imported, Finger Jointed ..... UV Coated

HEIGHT OPTIONS	2"	2.5"	3"	3.5"	4"	5"	6"	7"	8"	9"	9.5"	10"	11"	12"
1/2" Birch Plywood	x	x	x	x	x	x	x	x	x	x	x	x	x	x
1/2" Edgebanded Plywood		x	x		x	x	x	x	x	x		x	x	
5/8" Hardwoods	x	x	x	x	x	x	x	x	x	x	x	x	x	x
High-Back (all species)							x	x	x	x	x	x	x	x

\*All high-back drawers will have a 3" front and a scoop cutout on the front face. 6" minimum height.

SIZING	Min. Depth	Max Depth	Min. Width (without clips)	Min. Width (with 4 & 6-way clips)	Min. Width (with 2-way clips)	Max Width	Min. Height
Standard Drawer							
5/8" Material	7"	51"	6"	7-1/4"	6-1/4"	51"	2"
1/2" Material	7"	51"	6"	7"	6"	51"	2"
Rollout Drawer							
5/8" Material	7"	51"	6"	7-1/4"	6-1/4"	51"	2"
1/2" Material	7"	51"	6"	7"	6"	51"	2"
High-Back Rollout							
5/8" Material	12"	51"	5-1/2"	7-1/4"	6-1/4"	51"	6"
1/2" Material	12"	51"	5-1/2"	7"	6"	51"	6"

Drawer boxes are manufactured in the USA by Hardware Resources. Hard Maple and Aspen are North American hardwoods. White Birch, Rustic White Birch, and Rubberwood are imported A/B grade hardwood, laminated & finger jointed. Birch plywood is Carb Compliant 9-ply high density plywood with no internal voids. UV cured coating is 100% solid and contains no VOC. Each UV coated piece is double coated to ensure a lasting finish.

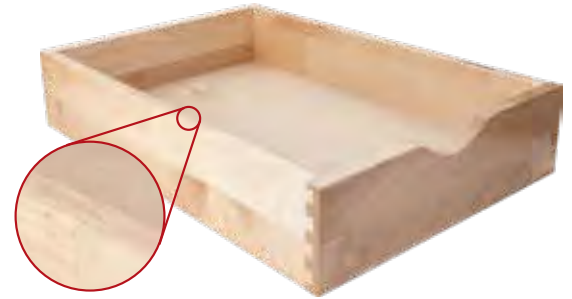




# Dovetail Drawer Boxes for Closets

Closet Organizers

## Rollouts & High-Back Rollouts



Finger joints may be visible on top edge of box for White Birch



High-Back Rollout (minimum 6" height)

## Complimentary High Definition Laser Engraving on Hardwood Boxes

- Upcharge per box for plywood
- Simply provide a high-resolution file of your logo. We'll do the rest!
- Accepted file types are EPS, AI, PDF, PSD, JPEG, TIFF
- Maximum logo size is 1-1/2" tall x 6" long
- Minimum box height for engraving is 3", minimum depth is 8"
- Not available on high-back rollouts or boxes over 24" deep
- Placed on the front left inside edge of the box
- One logo per customer - logos are kept on file for future orders
- *Don't have a logo? Choose from our preselected fonts to customize your company name*



# Shelf Supports: Angled

## 5 mm Pin Diameter

Solid steel construction

3/4" long arm

Available in carton of 1000 pcs



*Standard      With 1/8" Hole      With Brown Sleeve      With White Sleeve      With Clear Sleeve      With Diamond Hole*

Antique Brass	1706AB	1707AB	1708AB			
Antique Copper		1707AC	1708AC			1710AC
Black		1707BLK				
Bright Nickel	1706BN	1707BN	1708BN	1708WBN	1708CBN	1710BN
Polished Brass	1706PB	1707PB				1710PB
	1000 pcs/ctn*	1000 pcs/ctn*	1000 pcs/ctn*	1000 pcs/ctn*	1000 pcs/ctn*	1000 pcs/ctn*

*\*NO BROKEN CARTONS. FULL CARTONS ONLY*

## 1/4" Pin Diameter

Solid steel construction

3/4" long arm

Available in carton of 1000 pcs



*Standard      With 1/8" Hole      With Brown Sleeve      With Brown Sleeve & 7/8" Long Arm*

Antique Brass	1609AB	1610AB		
Antique Copper		1610AC	1611AC	1915AC
Bright Nickel	1609BN	1610BN		
Polished Brass		1610PB		
	1000 pcs/ctn*	1000 pcs/ctn*	1000 pcs/ctn*	1000 pcs/ctn*

*\*NO BROKEN CARTONS. FULL CARTONS ONLY*

# Shelf Supports: Spoon

Closet  
Organizers

## 3 mm Pin Diameter



*Spoon*

Bright Nickel	1103BN
	1000 pcs/box*
	10,000 pcs/ctn

\*NO BROKEN BOXES. FULL BOXES ONLY

Solid steel construction

Available in boxes of 1000 pcs and 10,000 pcs master carton

## 5 mm Pin Diameter



*Spoon*



*Spoon with Anti-Slide Barb*



*Grommet 5.5mm drill Ø*

Antique Brass	1306AB		1283AB
Antique Copper	1306AC		
Black	1306BLK		1283BLK
Bright Nickel	1306BN	1306BN-2	1283BN
Polished Brass	1306PB		1283PB
	1000 pcs/box*	1000 pcs/box*	1000 pcs/box*
	6000 pcs/ctn	6000 pcs/ctn	5000 pcs/ctn

\*NO BROKEN BOXES. FULL BOXES ONLY

Solid steel construction

Anti-slide barb cuts into shelf and prevents shelf movement (1306BN-2)

Supports available in boxes of 1000 pcs and 6000 pcs master carton

Grommets available in boxes of 1000 pcs and 5000 pcs master carton

## 1/4" Pin Diameter



*Spoon*



*Grommet 7.5mm drill Ø*

Antique Brass	1206AB	1284AB
Antique Copper	1206AC	
Black	1206BLK	1284BLK
Bright Nickel	1206BN	1284BN
Polished Brass	1206PB	1284PB
	1000 pcs/box*	1000 pcs/box*
	6000 pcs/ctn	5000 pcs/ctn

\*NO BROKEN BOXES. FULL BOXES ONLY

Solid steel construction

Supports available in boxes of 1000 pcs and 6000 pcs master carton

Grommets available in boxes of 1000 pcs and 5000 pcs master carton

# Shelf Supports: Pins & Locks

## 5mm Pins



	16 mm Duplo	24 mm Straight	30 mm Straight	45 mm Straight
Antique Copper				
Bright Nickel		1402BN	418BN	1400BN
Zinc	1401ZN	1402ZN		
	1000 pcs/ctn*	1000 pcs/ctn*	1000 pcs/ctn*	1000 pcs/ctn*

*\*NO BROKEN CARTONS. FULL CARTONS ONLY*

Solid steel construction  
Available in carton of 1000 pcs

## Zinc Supports - 5mm Pin



*Support with 5 mm Shelf Hold Pin*

Zinc	1545ZN
	1000 pcs/box*
	5000 pcs/ctn

*\*NO BROKEN BOXES. FULL BOXES ONLY*

Solid zinc die cast construction  
Available in boxes of 1000 pcs and 5000 pcs master carton

## Plastic Supports - 5mm Pin



*Support*

Almond	1438ALM
	1000 pcs/box*
Brown	1438BRN
	1000 pcs/box*
Clear	1438CL
	100 pcs/box*
White	1438WH
	1000 pcs/box*
	5000 pcs/ctn

*\*NO BROKEN BOXES. FULL BOXES ONLY*

Synthetic injection molded plastic with steel pin  
Available in boxes of 1000 pcs and 5000 pcs master carton

# Shelf Supports: Spoon

## Plastic Shelf Locks



Highly durable synthetic plastic construction  
Available in a variety of pin diameters and shelf thickness combinations

	5 mm Pin 1/2" Shelf	5 mm Pin 5/8" Shelf	5 mm Pin 3/4" Shelf	1/4" Pin 5/8" Shelf	1/4" Pin 3/4" Shelf
Clear	7703CL	7704CL	7705CL	8704CL	8705CL
White	7705WH				
	1750 pcs/box* 3500 pcs/ctn	2000 pcs/box* 4000 pcs/ctn	2500 pcs/box* 5000 pcs/ctn	1750 pcs/box* 3500 pcs/ctn	1750 pcs/box* 3500 pcs/ctn

*\*NO BROKEN BOXES. FULL BOXES ONLY*

## Heavy Duty Plastic Shelf Lock



	5 mm Double Pin 3/4" or 1" Shelf
Clear	7706CL
	2000 pcs/ctn*

*\*NO BROKEN CARTONS. FULL CARTONS ONLY*

500 lb weight rating per set of 4  
Highly durable synthetic plastic construction  
Fits 3/4" or 1" shelf thickness  
Two pins are 32 mm spaced  
ANSI/BHMA A156.9-2003 Grade 1

# Shelf Supports: Miscellaneous

## Standards & Clips

Single track standards fit in 5/8" wide groove  
 Standards quickly install using nails or screws (not included)  
 Available in a variety of sizes which can also be cut to length  
 Clips snap into place in 3/8" increments for a secure fit and can be easily removed and reattached.

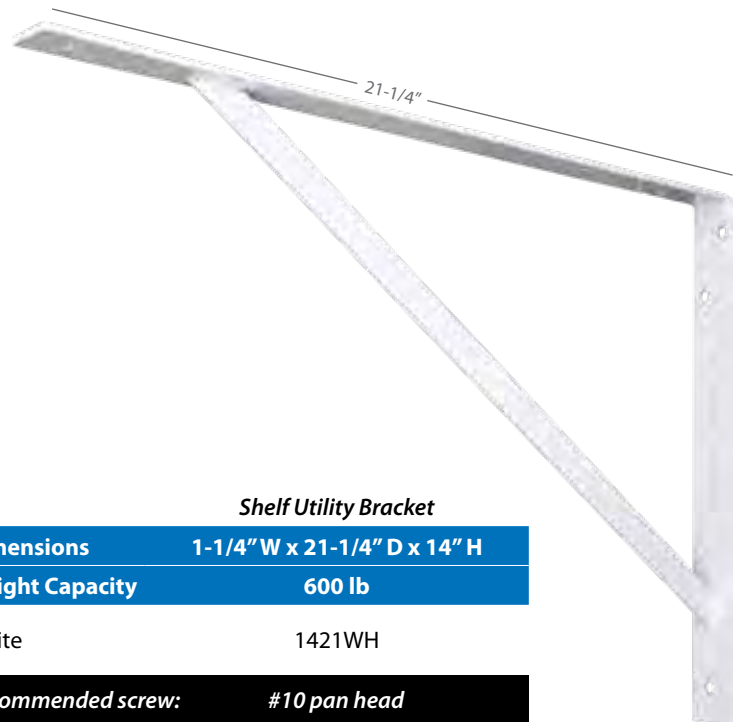


	<i>Standard Clip Builder Pack</i>	<i>Standard Clip Retail Pack</i>	<i>48" Standard</i>	<i>60" Standard</i>	<i>72" Standard</i>
Brass		1460BR-R			
Brown	1460AC	1460AC-R	TRK01-48BRN	TRK01-60BRN	TRK01-72BRN
Nickel/Zinc	1460NI	1460ZN-R	TRK01-48ZN	TRK01-60ZN	TRK01-72ZN
White	1460WH	1460WH-R	TRK01-48WH	TRK01-60WH	TRK01-72WH
	1000 pcs/ctn*	20 pcs/pack 100 pks/ctn	20 pcs/ctn*	20 pcs/ctn*	20 pcs/ctn*

*\*NO BROKEN CARTONS. FULL CARTONS ONLY*

## Heavy Duty Shelf Utility Bracket

Extra heavy duty 1-1/4" wide steel design – supports up to 1200 lbs per pair  
 Thick white painted finish is durable and rust resistant  
 Supports shelving in a variety of residential and commercial environments: closets, garages, utility rooms, tool sheds and laundry rooms  
 Also a perfect support for countertops  
 14" overall height x 21-1/4" overall depth  
 #10 x 3" pan head screws recommended for wall installation (sold separately)



<i>Shelf Utility Bracket</i>	
<b>Dimensions</b>	<b>1-1/4" W x 21-1/4" D x 14" H</b>
<b>Weight Capacity</b>	<b>600 lb</b>
White	1421WH
<b>Recommended screw:</b>	<b>#10 pan head</b>

2 pcs/box  
10 pcs/ctn

*\*NO BROKEN CARTONS. FULL CARTONS ONLY*






# Panel Connectors

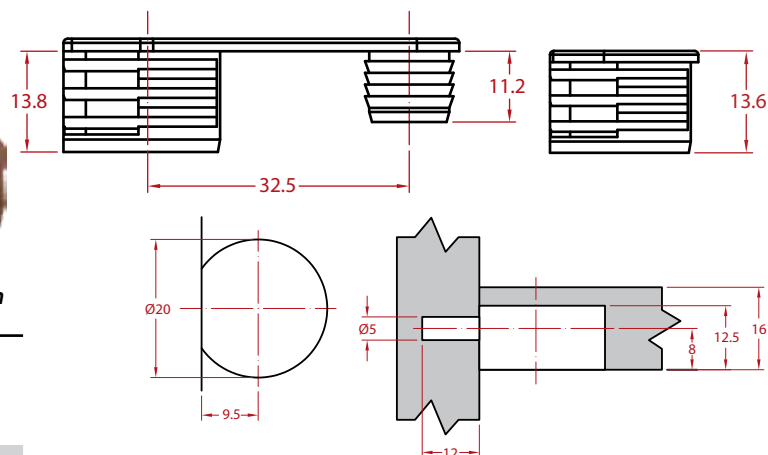
All measurements shown in mm



**Double Connector Cam**

**Connector Cam**

	Brown Plastic	9C19-BRN 250 pcs/ctn	8C19-BRN 250 pcs/ctn
	White Plastic	9C19-WH 250 pcs/ctn	
	Zinc with Nickel Plating	9C19-ZN 250 pcs/ctn	8C19-ZN 250 pcs/ctn



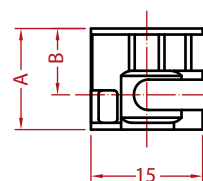
Plastic or zinc housing  
Zinc tightening element  
For use with 19 mm thickness material  
14mm drilling depth



**Metal Cam**

16 mm material	7C16 250 pcs/ctn
----------------	---------------------

Zinc die cast  
Center locking position 9 mm  
Drilling depth: 14.0-0.05 mm



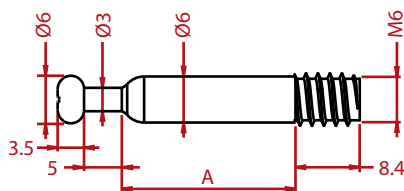
	A	B
7C16	12.2 mm	7.5 mm



**Connecting Bolt**

36 mm length	5C36 250 pcs/ctn*
--------------	----------------------

\*NO BROKEN BOXES.  
FULL BOXES ONLY

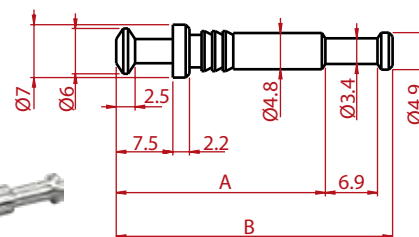


A	
5C36	19 mm



**Center Panel Double Bolt**

16 mm material	6C16 250 pcs/ctn
19 mm material	6C19 250 pcs/ctn



	A	B
6C16	24.7 mm	33.6 mm
6C19	27.7 mm	36.6 mm

# You Buy. You Try. You Decide.

Place a Trial Order any new-to-you cabinet organizer products and try them out. If you're not satisfied we'll take them back. Guaranteed!

## How the Trial Order program works

1. Place a Trial Order for any cabinet organizers. Trial Orders can be combined with a regular order. We pay the freight on Trial Orders.
2. Test the products risk-free.
3. If you're not completely satisfied, call us. We'll give you immediate full credit on the Trial Order purchase. We'll arrange for the products to be picked up later – no need to save the original packaging, ship them back, etc. We make it easy. We would appreciate hearing your observations on the products.



## How to order

1. Place an order with your local sales rep or call **800-463-0660**
2. Use code **TRIAL-CABINETORG** for the Trial Order products



Hardware Resources believes in quality, integrity, and reliability. We uphold the highest standards of service and responsibility in the industry.

As such, Hardware Resources warrants all cabinet and closet organizers against defects in material and workmanship as long as the original consumer purchaser owns the products, if the original consumer purchased the products from an authorized distributor of Hardware Resources. Hardware Resources cannot guarantee the quality or condition of products from distributors who do not agree to meet our high standards, and therefore, no warranty is provided for products from unauthorized sellers.

If the finish of any of these items tarnishes, corrodes, rusts, begins to chip or rub off or has any other defect, Hardware Resources will send to the original purchaser, a new replacement product of the same or comparable style and quality at no charge. If a replacement is no longer available, Hardware Resources will refund to the original purchaser, the current wholesale value of the item.

This warranty is a warranty of replacement only. Hardware Resources specifically does not warrant removal of the product nor installation of replacement new product. This warranty does not apply when the item has been tampered with, misused, improperly installed, altered from the original form, or damaged through improper cleaning, abuse or accident.

In the unlikely event that a defective cabinet or closet organizer is encountered, please contact Customer Service at 800.463.0660. Please be able to provide a brief description and photographs of the defect.

# Kitchen & Bath Sinks

*In the kitchens of today's modern homes we no longer find just a cook, we find aspiring chefs. All great chefs need great assistants, a handy helper, space and convenience. Find just that in a Stainless Steel Sink.*

## All Hardware Resources sinks are:

- Made of high quality materials – SUS304 Stainless Steel with 18/8 chromium/nickel content, has a high resistance to rust and corrosion, and oxidation.
- Insulated – Insulated layer to the bottom of these sinks reduces sound when items are placed in the sink.
- Reinforced – Reinforced plates on the sides and bottom of the sink help prevent bending or buckling to this quality addition in your kitchen.
- Manufactured responsibly – Care has been taken to protect the environment while giving you an easy-to-clean, quality product.
- UPC Certified – These codes are designed to provide consumers with safe and sanitary plumbing systems. Unless otherwise specified, all stainless steel sinks are UPC Certified.
- Lifetime Warranty – Hardware Resources believes in quality, integrity and reliability by offering a lifetime warranty on all of our stainless steel sinks and accessories (see page 250).



Complies with ASME  
A112.19.3-2008/CSA  
B45.4-08

**Premium Handmade Stainless Steel Sinks** – Made from flat, high quality steel that is bent and welded into a geometric shape to provide the best usable space for dishes. The steel holds an even thickness throughout the unit, as compared to a drawn sink which will tend to have thin spots. Hardware Resources offers a nice selection of a farm house or undermount kitchen, utility and bar sinks in 16- and 18-gauge stainless steel.

**Premium Drawn Stainless Steel Sinks** – Made from flat high quality steel that is pressed over a die with a punch to form the shape of the sink. This process is repeated until the desired shape is achieved. The die and punch ensure a uniform quality to the look of the finished sink. Premium Drawn Sinks offer only a limited reduction in usable space over a handmade sink. Hardware Resources offers a selection of undermount kitchen 16-gauge stainless steel.

**Drawn Stainless Steel Sinks** – The only difference in these sinks from our Premium Drawn Sinks is the thickness of steel. Hardware Resources offers a nice selection of undermount kitchen, utility and bar sinks in 18-gauge stainless steel and a drop-in kitchen sink in 20-gauge stainless steel.

## Mounting Kits:

All stainless steel sinks ship with mounting kits and templates. DXF files are available.

### Sinks

#### **Stainless Steel Sinks**

Premium Handmade .....	499
Premium Stainless Steel .....	503
Stainless Steel .....	504
Strainer .....	509

#### **Porcelain Sinks**

Oval Vanity Sinks .....	511
Rectangular Vanity Sinks .....	511
Care & Cleaning .....	512
Warranty .....	512

# Premium Handmade Stainless Sinks



HA200 shown in use



HA200 shown in use

# Premium Handmade Stainless Sinks



## HA200 - 16-Gauge

Stainless Steel Drop-In Farmhouse Style Kitchen Sink. 304 SS with Satin Finish. Insulated Bottom.

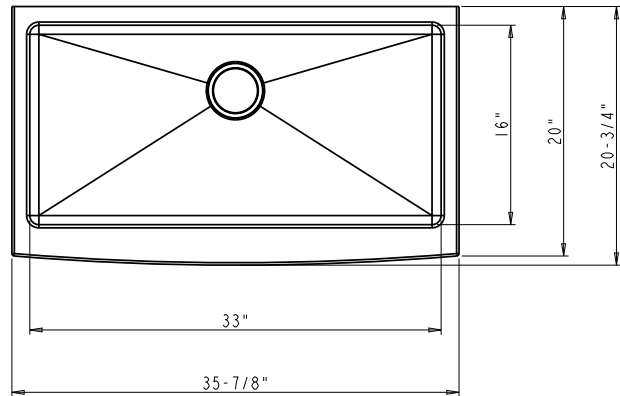
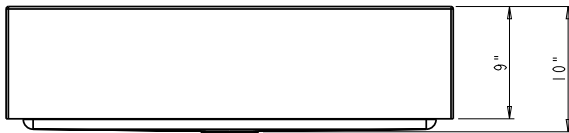
**Overall Measurements:** 35-7/8" x 20-3/4" x 10"

**Bowl Measurements:** 33" x 16" x 10"

**Drain Opening:** 3-1/2"

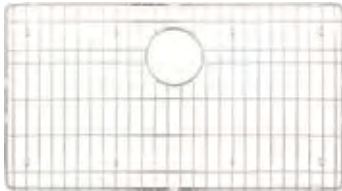
Strainer sold separately (STRAINER-200)

Grid sold separately (HA200-GRID)



### STRAINER-200

Strainer for 3-1/2" Drain Openings



HA200-GRID



## HA225 - 16-Gauge

Stainless Steel Drop-In Farmhouse Style Kitchen Sink with two unequal bowls. 304 SS with Satin Finish. Insulated Bottom.

**Overall Measurements:** 35-7/8" x 20-3/4" x 10"

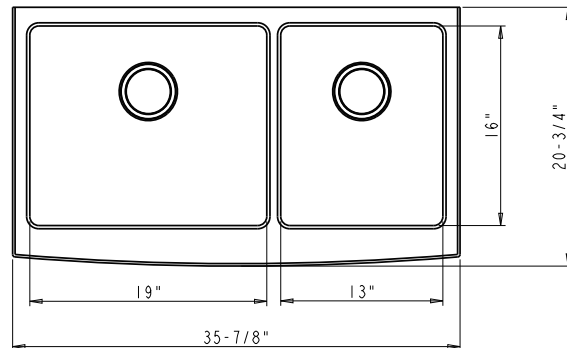
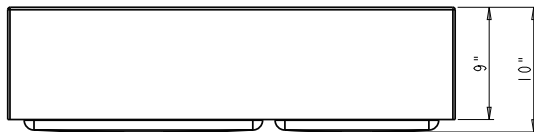
**Large Bowl Measurements:** 19" x 16" x 10"

**Small Bowl Measurements:** 13" x 16" x 10"

**Drain Opening:** 3-1/2"

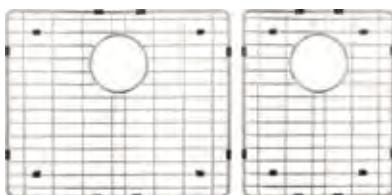
Strainer sold separately (STRAINER-200)

Grid sold separately (HA225-GRID)



### STRAINER-200

Strainer for 3-1/2" Drain Openings



HA225-GRID

# Premium Handmade Stainless Sinks



## HMS260L (larger bowl on left) - 16-Gauge

Stainless Steel Undermount Kitchen Sink with Two Unequal Bowls. 304 SS with Satin Finish. Insulated Bottom.

**Overall Measurements:** 32" x 19" x 10-3/8"

**Large Bowl Measurements:** 17" x 17" x 10"

**Small Bowl Measurements:** 12" x 17" x 10"

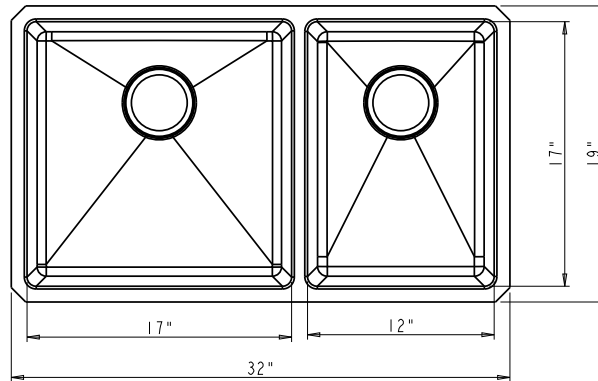
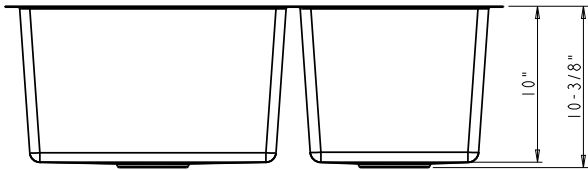
**Drain Opening:** 3-1/2"

Strainer sold separately (STRAINER-200)

Grid sold separately (HMS260-GRID)



HMS260-GRID



## STRAINER-200

Strainer for 3-1/2" Drain Openings



## HMS250 - 16-Gauge

Stainless Steel Undermount Kitchen Sink with Two Equal Bowls. 304 SS with Satin Finish. Insulated Bottom.

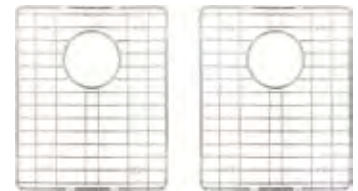
**Overall Measurements:** 32" x 19" x 10-3/8"

**Bowl Measurements:** 14-1/2" x 17" x 10"

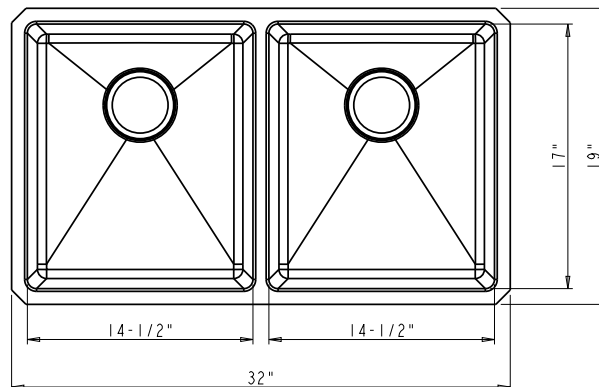
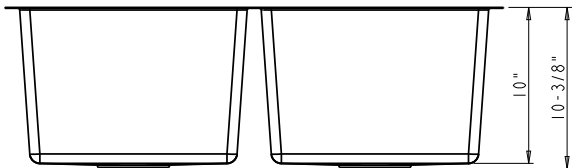
**Drain Opening:** 3-1/2"

Strainer sold separately (STRAINER-200)

Grid sold separately (HMS250-GRID)



HMS250-GRID



## STRAINER-200

Strainer for 3-1/2" Drain Openings

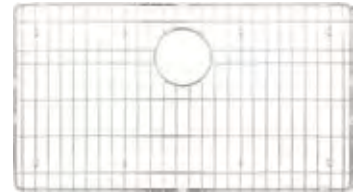
# Premium Handmade Stainless Sinks



**HMS200** - 16-Gauge  
Stainless Steel Undermount Utility Sink.  
304 SS with Satin Finish. Insulated Bottom.

**Overall Measurements:** 32" x 19" x 10-3/8"  
**Bowl Measurements:** 30" x 17" x 10"  
**Drain Opening:** 3-1/2"

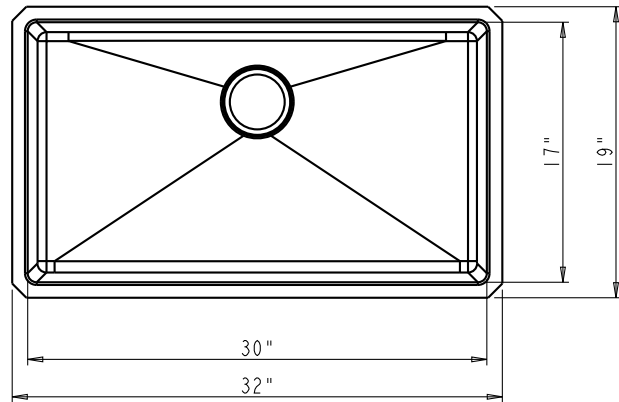
Strainer sold separately (STRAINER-200)  
Grid sold separately (HMS200-GRID)



**HMS200-GRID**



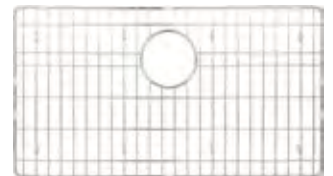
**STRAINER-200**  
Strainer for  
3-1/2" Drain Openings



**HMS190** - 16-Gauge  
Stainless Steel Undermount Utility Sink.  
304 SS with Satin Finish. Insulated Bottom.

**Overall Measurements:** 30" x 18" x 10-3/8"  
**Bowl Measurements:** 28" x 16" x 10"  
**Drain Opening:** 3-1/2"

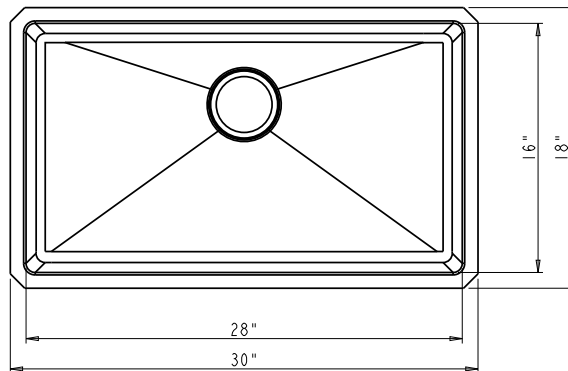
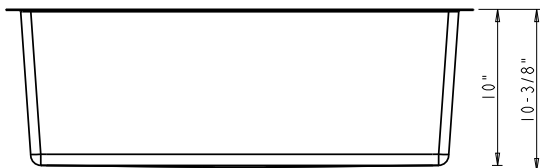
Strainer sold separately (STRAINER-200)  
Grid sold separately (HMS190-GRID)



**HMS190-GRID**



**STRAINER-200**  
Strainer for  
3-1/2" Drain Openings



# Premium Handmade Stainless Sinks



**HMS175** - 16-Gauge  
Stainless Steel Undermount Utility Sink.  
304 SS with Satin Finish. Insulated Bottom.

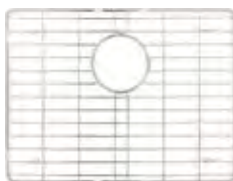
**Overall Measurements:** 23" x 18" x 10-3/8"

**Bowl Measurements:** 21" x 16" x 10"

**Drain Opening:** 3-1/2"

Strainer sold separately (STRAINER-200)

Grid sold separately (HMS175-GRID)

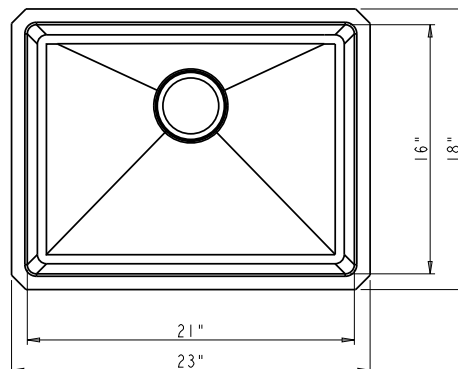
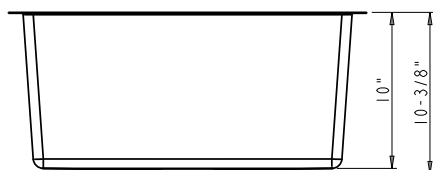


**HMS175-GRID**



**STRAINER-200**

Strainer for  
3-1/2" Drain Openings





# Premium Stainless Steel Sinks



**801L** (larger bowl on left) - 16-Gauge

Stainless Steel Undermount Kitchen Sink with Two Unequal Bowls. 304 SS with Satin Finish. Insulated Bottom.

**Overall Measurements:** 32" x 20-3/4" x 9"

**Large Bowl Measurements:** 15-3/4" x 18-3/4" x 9"

**Small Bowl Measurements:** 13" x 16-1/2" x 7-1/4"

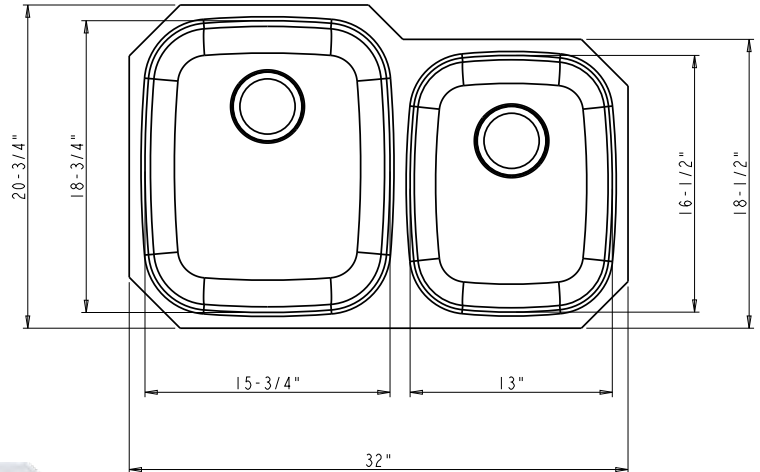
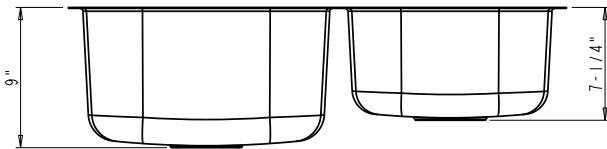
**Drain Opening:** 3-1/2"

Strainer sold separately (STRAINER-200)



**STRAINER-200**

Strainer for  
3-1/2" Drain Openings



**802** - 16-Gauge

Stainless Steel Undermount Kitchen Sink with Two Equal Bowls. 304 SS with Satin Finish. Insulated Bottom.

**Overall Measurements:** 32-1/4" x 18-1/2" x 9"

**Two Equal Bowls Measuring:** 14-1/2" x 16-1/2" x 9"

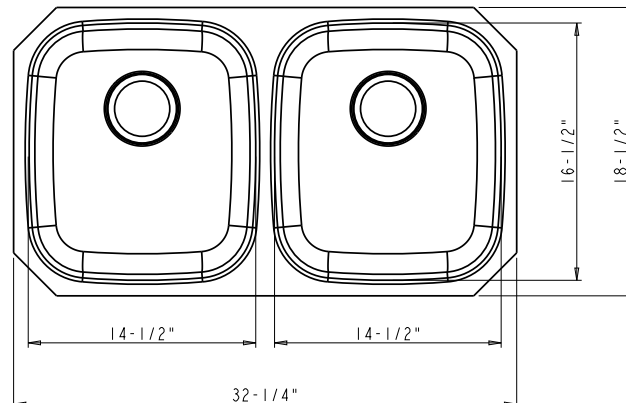
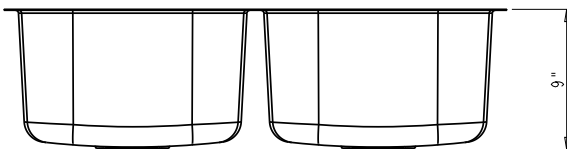
**Drain Opening:** 3-1/2"

Strainer sold separately (STRAINER-200)



**STRAINER-200**

Strainer for  
3-1/2" Drain Openings



# Stainless Steel Sinks



**801L-18** (larger bowl on left) - 18-Gauge

**801R-18** (larger bowl on right) - 18-Gauge

Stainless Steel Undermount Kitchen Sink with Two Unequal Bowls. 304 SS with Satin Finish. Insulated Bottom.

**Overall Measurements:** 32" x 20-5/8" x 9"

**Large Bowl Measurements:** 15-3/4" x 18-3/4" x 9"

**Small Bowl Measurements:** 13" x 16-5/8" x 7-1/2"

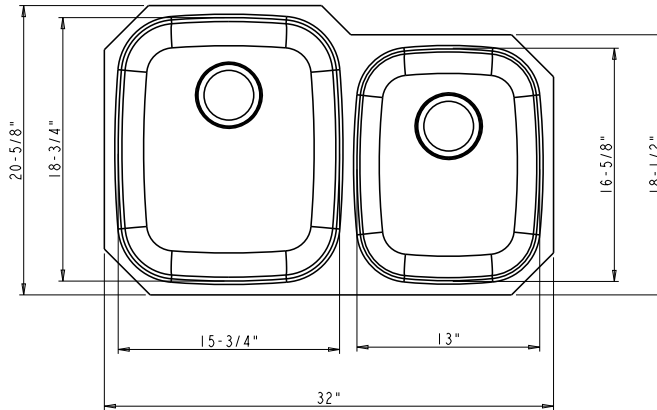
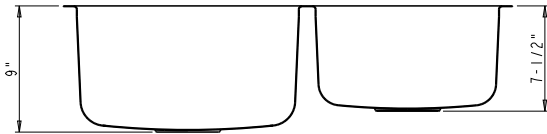
**Drain Opening:** 3-1/2"

Strainer sold separately (STRAINER-200)



**STRAINER-200**

Strainer for  
3-1/2" Drain Openings



**802-18** - 18-Gauge

Stainless Steel Undermount Kitchen Sink with Two Equal Bowls. 304 SS with Satin Finish. Insulated Bottom.

**Overall Measurements:** 32-1/4" x 18-1/2" x 9"

**Two Equal Bowls Measuring:** 14-1/2" x 16-1/2" x 9"

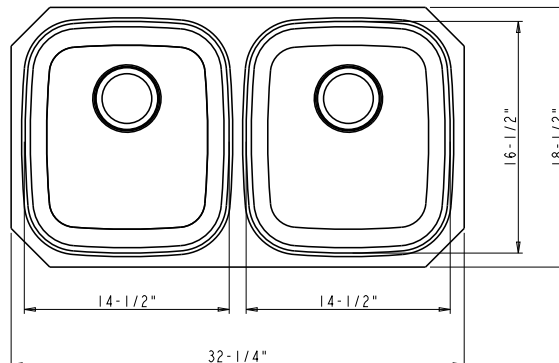
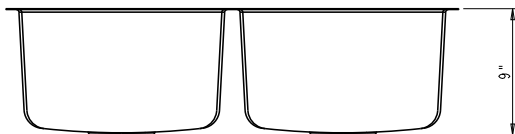
**Drain Opening:** 3-1/2"

Strainer sold separately (STRAINER-200)



**STRAINER-200**

Strainer for  
3-1/2" Drain Openings



# Stainless Steel Sinks



**807L** (larger bowl on left) - 18-Gauge

Stainless Steel Undermount Kitchen Sink with Two Unequal Bowls. 304 SS with Satin Finish. Insulated Bottom.

**Overall Measurements:** 31-1/2" x 20-1/2" x 9"

**Large (Left) Bowl Measurements:** 17-3/4" x 18-1/2" x 9"

**Small (Right) Bowl Measurements:** 10-1/2" x 16" x 7"

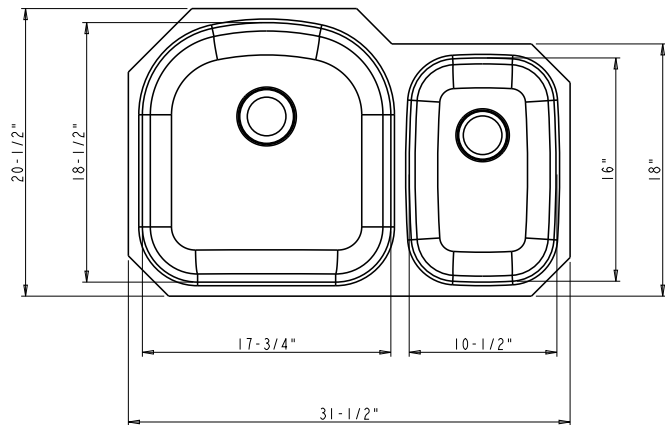
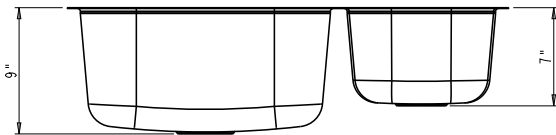
**Drain Opening:** 3-1/2"

Strainer sold separately (STRAINER-200)



**STRAINER-200**

Strainer for  
3-1/2" Drain Openings



**868** - 18-Gauge

Stainless Steel Undermount Rectangular Utility Sink. 304 SS with Satin Finish. Insulated Bottom.

**Overall Measurements:** 30" x 18" x 9"

**Bowl Measurements:** 28" x 16" x 9"

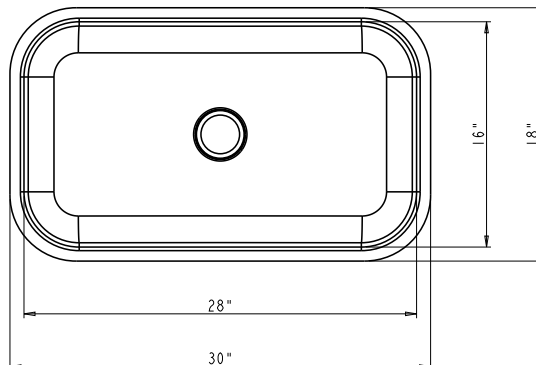
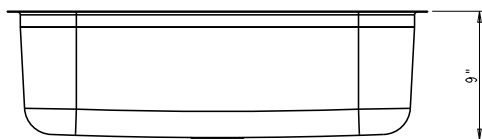
**Drain Opening:** 3-1/2"

Strainer sold separately (STRAINER-200)

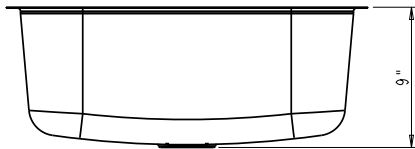


**STRAINER-200**

Strainer for  
3-1/2" Drain Openings



# Stainless Steel Sinks



**861** - 18-Gauge  
Stainless Steel Undermount Large Utility Sink.  
304 SS with Satin Finish. Insulated Bottom.

**Overall Measurements:** 23-1/4" x 20-7/8" x 9"

**Bowl Measurements:** 21-1/4" x 18-7/8" x 9"

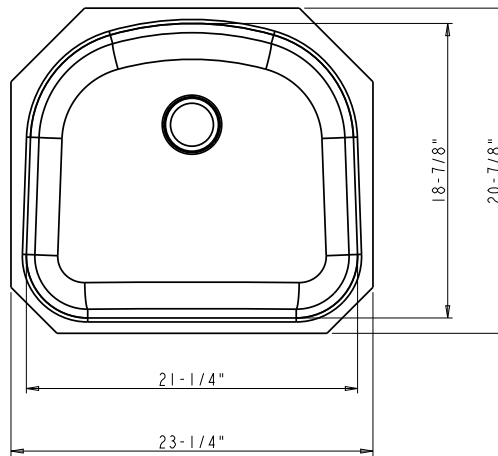
**Drain Opening:** 3-1/2"

Strainer sold separately (STRAINER-200)



**STRAINER-200**

Strainer for  
3-1/2" Drain Openings



# Stainless Steel Sinks



**863** - 18-Gauge  
Stainless Steel Undermount Utility Sink.  
304 SS with Satin Finish. Insulated Bottom.

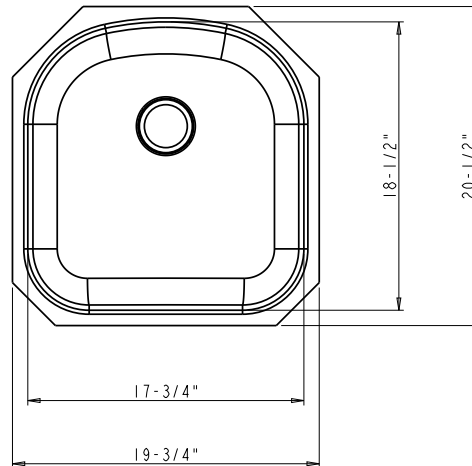
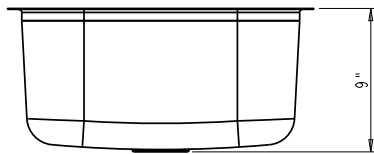
**Overall Measurements:** 19-3/4" x 20-1/2" x 9"  
**Bowl Measurements:** 17-3/4" x 18-1/2" x 9"  
**Drain Opening:** 3-1/2"

Strainer sold separately (STRAINER-200)

\*Does not comply with UPC Certification



**STRAINER-200**  
Strainer for  
3-1/2" Drain Openings



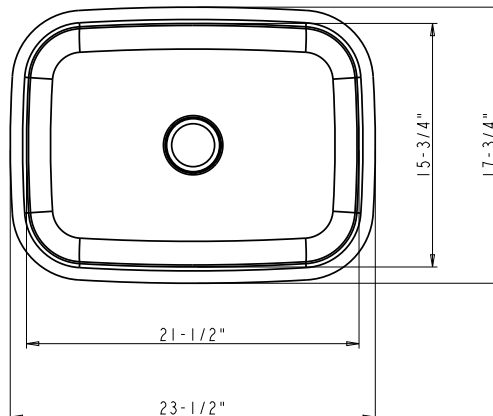
**862** - 18-Gauge  
Stainless Steel Undermount Utility Sink.  
304 SS with Satin Finish. Insulated Bottom.

**Overall Measurements:** 23-1/2" x 17-3/4" x 9"  
**Bowl Measurements:** 21-1/2" x 15-3/4" x 9"  
**Drain Opening:** 3-1/2"

Strainer sold separately (STRAINER-200)



**STRAINER-200**  
Strainer for  
3-1/2" Drain Openings



# Stainless Steel Sinks



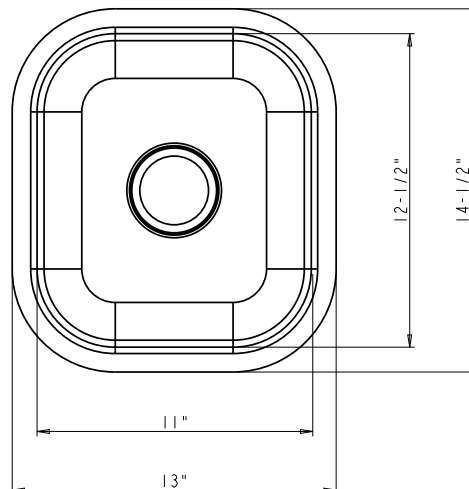
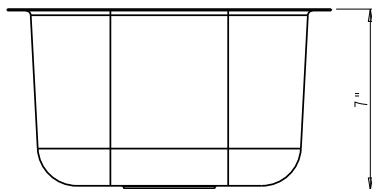
**869** - 18-Gauge  
Stainless Steel Undermount Bar Sink.  
304 SS with Satin Finish. Insulated Bottom.

**Overall Measurements:** 14-1/2" x 13" x 7"  
**Bowl Measurements:** 12-1/2" x 11" x 7"  
**Drain Opening:** 3-1/2"

Strainer sold separately (STRAINER-200)



**STRAINER-200**  
Strainer for  
3-1/2" Drain Openings



# Stainless Steel Sinks



**910-1\*** - 20-Gauge

Stainless Steel Drop-In Kitchen Sink with Two Equal Bowls. Three Plumbing Holes on Deck in 8" Spread. 304 SS with Satin Finish. Insulated Bottom.

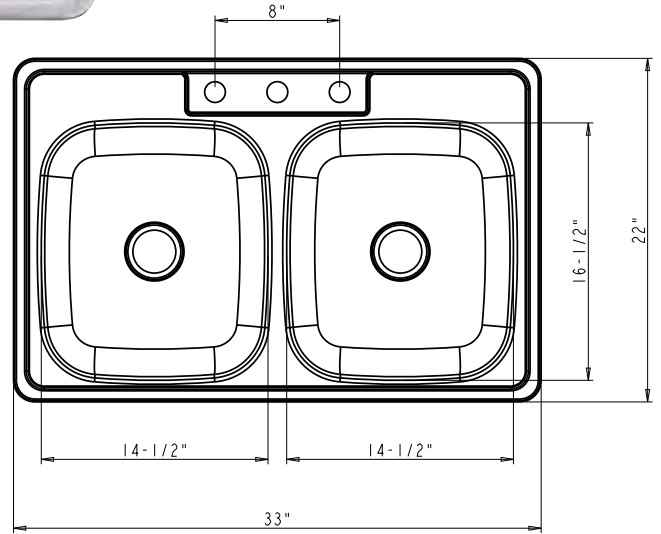
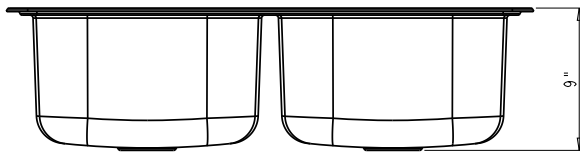
**Overall Measurements:** 33" x 22" x 9"

**Two Equal Bowls Measuring:** 14-1/2" x 16-1/2" x 9"

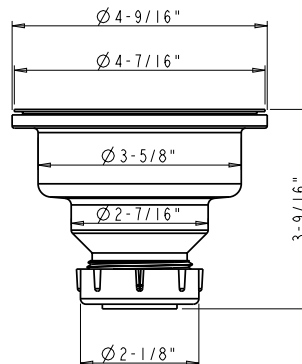
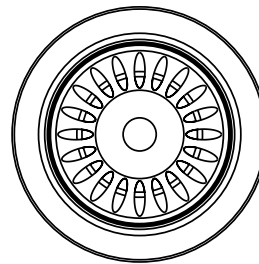
**Drain Opening:** 3-1/2"

Strainer sold separately (STRAINER-200)

\*Does not comply with UPC Standard



**STRAINER-200**  
Stainless Steel Sink Strainer for  
3-1/2" Drain Openings



# Porcelain Vanity Sinks

*In today's bathrooms, our sinks need to hold up against life yet still look sophisticated and elegant. Hardware Resources offers just that in our undermount porcelain vanity sinks with the classic oval and the more trendy rectangle designs, both offered in two popular sizes.*

## All Hardware Resources vanity sinks are:

- Designed with the customer in mind – Formed with a deep bowl, providing more usable space within the bowl and a built-in overflow drain.
- Made of high quality materials – Porcelain is durable, easy to clean and resistant to corrosion.
- Manufactured responsibly – Care has been taken to protect the environment while giving you an easy-to-clean, quality product.
- UPC Certified – These codes are designed to provide consumers with safe and sanitary plumbing systems. Unless otherwise specified, all porcelain sinks are UPC Certified.
- Lifetime Warranty – Hardware Resources believes in quality, integrity and reliability by offering a lifetime warranty on all of our porcelain sinks (see page 208).



Complies with ASME  
A112.19.3-2008/CSA  
B45.4-08



For beautiful furniture-style vanities that coordinate with these sinks, please see page 209

## Mounting Kits:

All porcelain sinks ship with mounting kits. DXF files are available.





# Porcelain Vanity Sinks



H8809



H8810



H8809WH



H8810WH



H8909WH



H8910WH

Item	Shape	Bowl Length	Bowl Width	Bowl Depth	Overall Length	Overall Width	Overall Depth	Finish
H8809	Oval	15-9/16"	13"	5-7/8"	17-1/2"	14-9/16"	7"	Parchment
H8809WH	Oval	15-9/16"	13"	5-7/8"	17-1/2"	14-9/16"	7"	White
H8810	Oval	17-3/8"	14-1/4"	5-3/8"	19-11/16"	15-3/4"	6-7/8"	Parchment
H8810WH	Oval	17-3/8"	14-1/4"	5-3/8"	19-11/16"	15-3/4"	6-7/8"	White
H8909WH	Rectangular	16"	9-7/8"	5-1/2"	18-1/8"	12"	6-7/8"	White
H8910WH	Rectangular	18-1/2"	11-1/8"	5-1/2"	20-7/8"	13-3/8"	6-7/8"	White

## The Do's:

1. When it comes to maintenance, the best thing is be consistent in cleaning. It is preferable to clean a little on a frequent basis than a heavy duty cleaning once in a while.
2. Make sure that the sink is always clean and dry when not in use. This is the best method of preventative maintenance.
3. Keep the drain clog-free to prevent standing water which can lead to mineral deposit build up. If a mineral build up should occur, use a mixture of vinegar and hot water to remove the deposit.
4. To clean the stainless steel sink, use a non abrasive cleaning cloth combined with a mild cleaning product or baking soda. For tougher stains use a mild abrasive cleaner like Barkeeper's Friend™, Ajax™ or Comet™.
5. Follow the direction of the grain when cleaning or scrubbing away stains, scrubbing against the grain will show as a scratch.



## The Don'ts:

1. Don't leave soaps and other cleaners in the sink overnight. Do not use solutions with bleach in the sink. All of these items contain chemicals that may damage the sink if left on the surface.
2. Don't use steel wool on the sink. If aggressive cleaning is needed, use a Scotch-Brite pad and rub in the direction of the satin finish lines.
3. Don't leave bars of soap, wet sponges or cleaning pads on the faucet ledge. These items over time will dull and possibly pit the surface of the sink.
4. Don't leave salt, vinegar, citric fruit juices, mustard or pickles on the sink; wipe them up immediately as they contain citric acids which over time can etch the surface.
5. Don't leave any steel or cast iron cookware in the sink for a long period of time. This may also leave iron particles that will corrode the sink.
6. Don't use Lime-A-Way™ or similar cleaners as they will damage the sink's surface and will cause rusting.



## Product Warranty

Hardware Resources believes in quality, integrity, and reliability. We uphold the highest standards of service and responsibility in the industry.

As such, Hardware Resources warrants all stainless steel and porcelain sinks against defects in material and workmanship as long as the original consumer purchaser owns the products, if the original consumer purchased the products from an authorized distributor of Hardware Resources. Hardware Resources cannot guarantee the quality or condition of products from distributors who do not agree to meet our high standards, and therefore, no warranty is provided for products from unauthorized sellers.

If the finish of any of these items tarnishes, corrodes, rusts, begins to chip or rub off or has any other defect, Hardware Resources will send to the original purchaser, a new replacement product of the same or comparable style and quality at no charge. If a replacement is no longer available, Hardware Resources will refund to the original purchaser, the current wholesale value of the sink.

This warranty is a warranty of replacement only. Hardware Resources specifically does not warrant removal of the product nor installation of replacement new product. This warranty does not apply when the item has been tampered with, misused, improperly installed, altered from the original form, or damaged through improper cleaning, abuse or accident.

In the unlikely event that a defective stainless steel sink is encountered, please contact Customer Service at 800.463.0660. Please be able to provide a brief description and photographs of the defect.

# NORTH POINT

CABINETS®





## The NorthPoint Cabinetry Advantage

Made in North America, NorthPoint Cabinetry features a wide array of fast-to-assemble cabinet designs, providing value with a quality, custom look. Cabinets are in-stock, shipping quickly from our strategically located warehouses across the U.S.

- Unique dovetail and pocket screw cabinet construction for sturdy and fast assembly
- Robust replacement parts program
- Free freight on most orders
- Dedicated customer service support



With 3 dedicated warehouses across the country, NorthPoint Cabinetry typically ships within 48 hours and arrives in 2-3 business days.



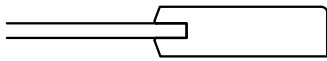
For more information, visit [NorthPointCabinetry.com](http://NorthPointCabinetry.com) or scan the QR code.

# Our Door Styles

## CATALINA

Premier Collection

More than modern. The Catalina door style features a full-overlay, Shaker style door and 5-piece drawer front.



Pebble Grey

## MAUI

Premier Collection

Sometimes the details make all the difference. The Maui door style features a full-overlay, transitional door and 5-piece drawer front with a twist of character.

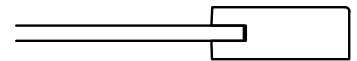


Pebble Grey

## HATTERAS

Essentials Collection

Simple and sleek. The Hatteras door style features a partial-overlay, Shaker style door and slab drawer front.



Pebble Grey

Maui in stained Espresso

Catalina in stained Slate  
Coming Summer 2021

Maui in painted Pebble Grey

Hatteras in painted Polar White

# Our Collections

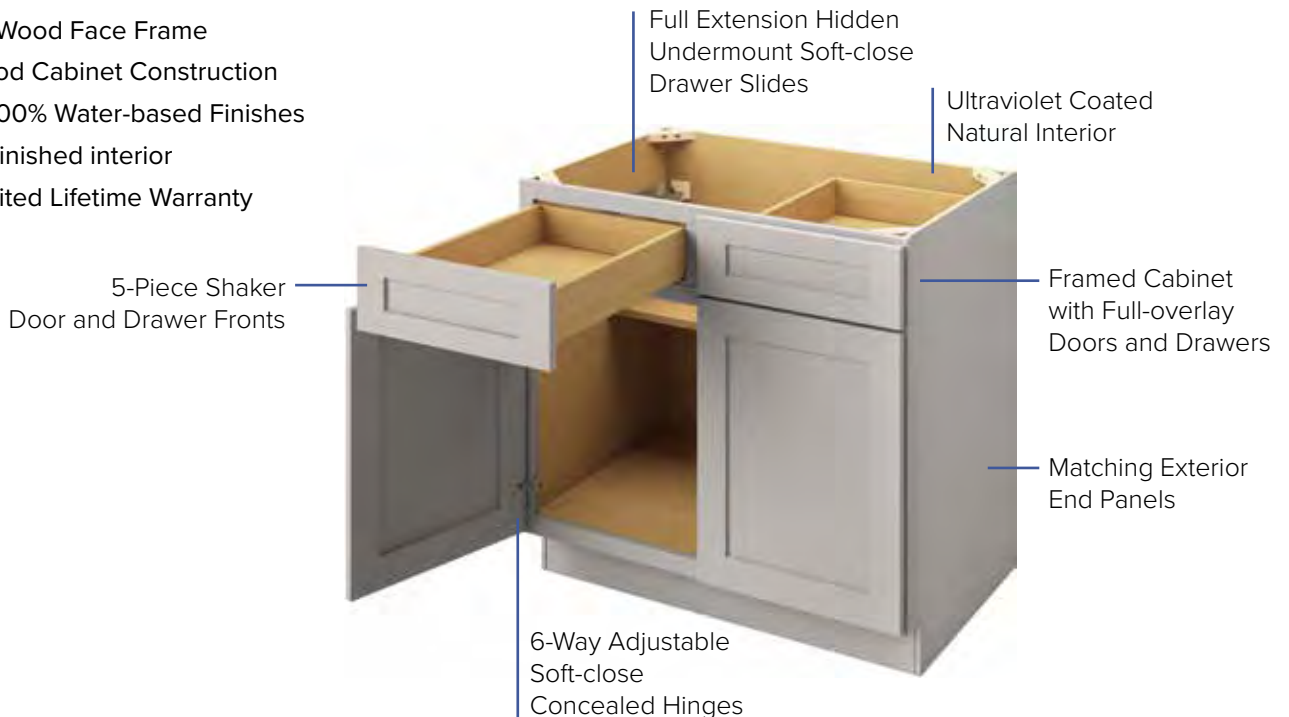


## PREMIER Collection

The Premier Collection features elegant upgrades like soft-close doors and drawers.

### Door Styles: Catalina, Maui

- 3/4" Solid Wood Face Frame
- 1/2" Plywood Cabinet Construction
- Premium 100% Water-based Finishes
- Beautiful, finished interior
- 5-year Limited Lifetime Warranty





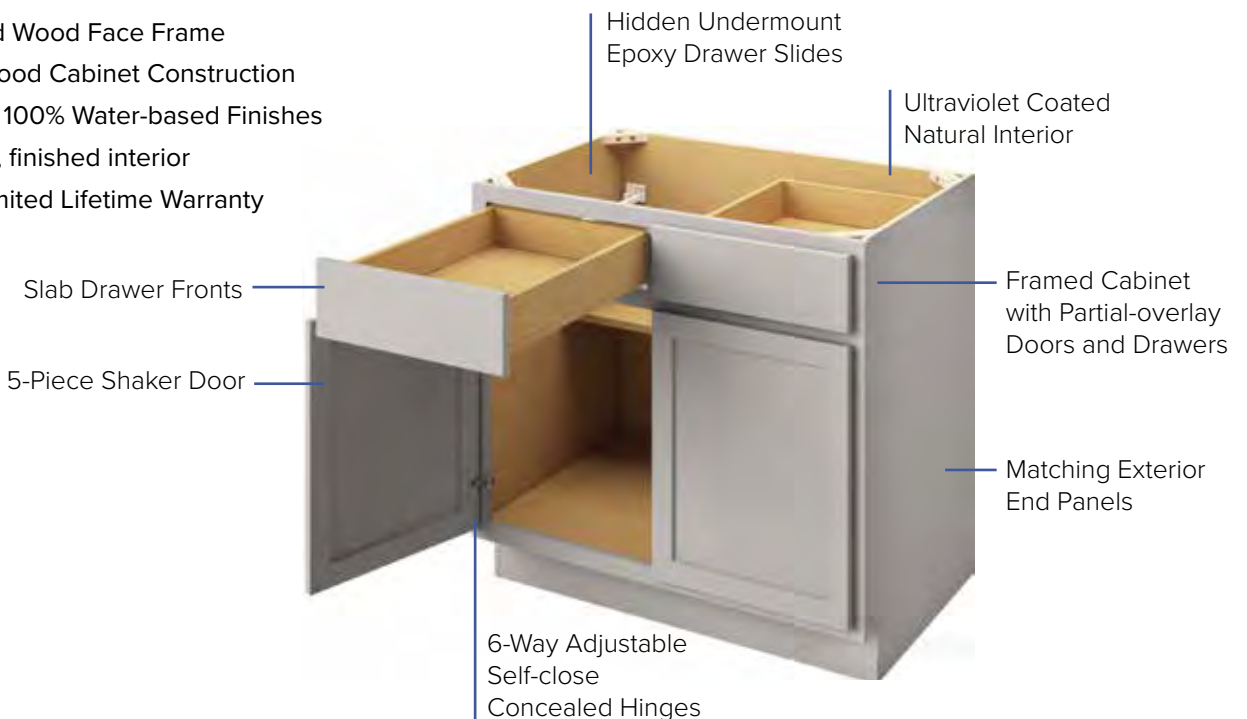
# ESSENTIALS

Collection

The Essentials Collection delivers on style at an impressive value.

## Door Style: Hatteras

- 3/4" Solid Wood Face Frame
- 1/2" Plywood Cabinet Construction
- Premium 100% Water-based Finishes
- Beautiful, finished interior
- 1-year Limited Lifetime Warranty



# Thoughtfully Designed. Carefully Crafted.

## PREMIER Collection

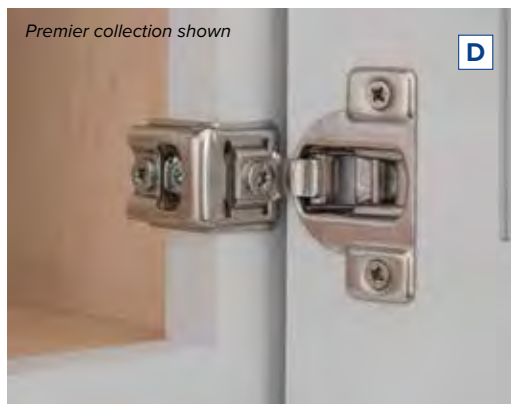
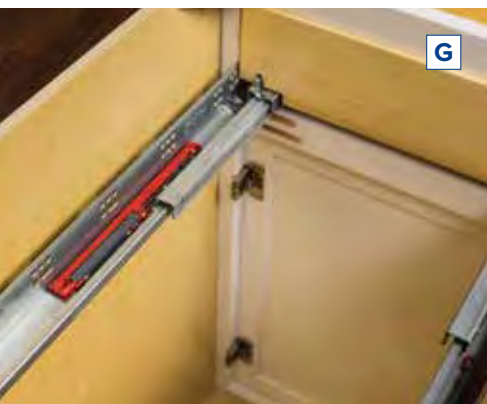
### Catalina, Maui

## ESSENTIALS Collection

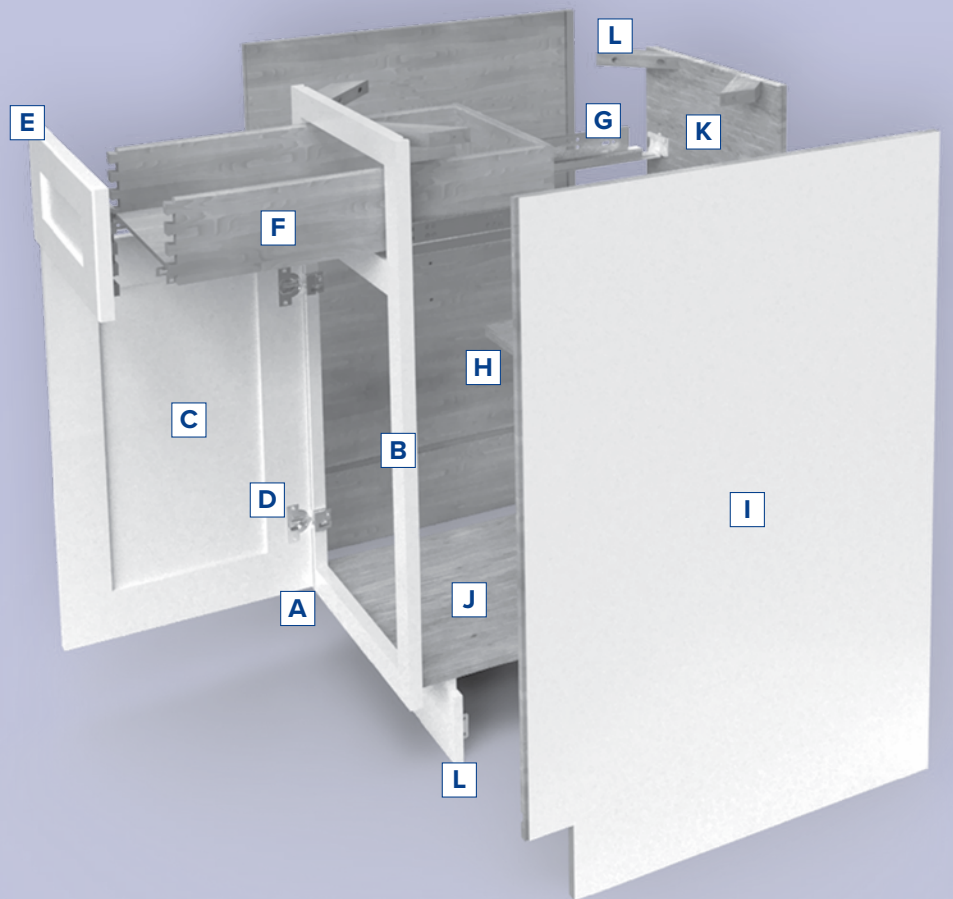
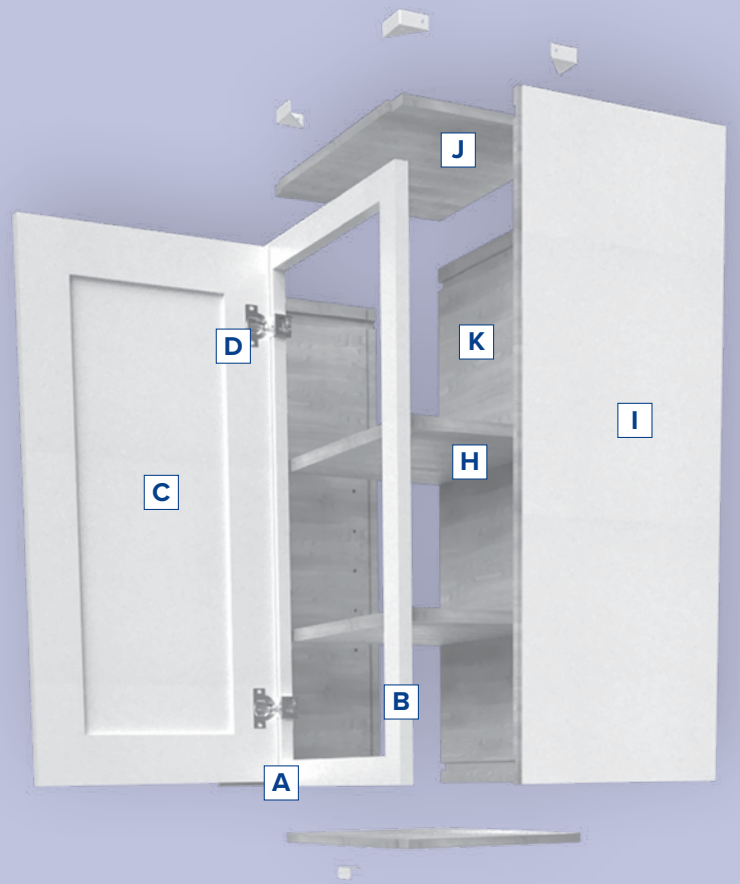
### Hatteras

#### DOOR STYLES

	PREMIER Collection <b>Catalina, Maui</b>	ESSENTIALS Collection <b>Hatteras</b>
<b>A</b> OVERLAY	<ul style="list-style-type: none"> <li>• <b>Full-overlay</b> doors and drawer fronts</li> </ul>	<ul style="list-style-type: none"> <li>• <b>Partial-overlay</b> doors and drawer fronts</li> </ul>
<b>B</b> FACE FRAME	<ul style="list-style-type: none"> <li>• 3/4" (19 mm) x 1-1/2" (36 mm) solid birch face frame</li> </ul>	<ul style="list-style-type: none"> <li>• 3/4" (19 mm) x 1-1/2" (36 mm) solid birch face frame</li> </ul>
<b>C</b> DOORS	<ul style="list-style-type: none"> <li>• Stained doors are 5-piece birch solid wood cope-and-stick construction with a 3/4" (19 mm) thick, <b>2-3/4" wide door frame</b> and 1/4" veneered center panel</li> <li>• Painted doors are 5-piece MDF cope-and-stick with a 3/4" (19 mm) thick, <b>2-3/4" wide door frame</b> with 1/4" MDF center panel</li> </ul>	<ul style="list-style-type: none"> <li>• Stained doors are 5-piece birch solid wood cope-and-stick construction with a 3/4" (19 mm) thick, <b>2" wide door frame</b> and 1/4" veneered center panel</li> <li>• Painted doors are 5-piece MDF cope-and-stick with a 3/4" (19 mm) thick, <b>2" wide door frame</b> and 1/4" MDF center panel</li> </ul>
<b>D</b> HINGES	<ul style="list-style-type: none"> <li>• 6-way adjustable <b>soft-close</b> concealed hinges</li> </ul>	<ul style="list-style-type: none"> <li>• 6-way adjustable <b>self-close</b> concealed hinges</li> </ul>
<b>E</b> DRAWER FRONTS	<ul style="list-style-type: none"> <li>• <b>5-piece</b> drawer fronts with 3/4" (19mm) thick frame and 1/4" thick center panel</li> </ul>	<ul style="list-style-type: none"> <li>• 3/4" (19 mm) thick <b>slab</b> drawer fronts</li> </ul>
<b>F</b> DRAWERS	<ul style="list-style-type: none"> <li>• 5/8" (18 mm) thick solid wood dovetail drawer boxes with 3/8" thick veneered plywood drawer bottom</li> </ul>	<ul style="list-style-type: none"> <li>• 5/8" (18 mm) thick solid wood dovetail drawer boxes with 3/8" thick veneered plywood drawer bottom</li> </ul>
<b>G</b> DRAWER SLIDES	<ul style="list-style-type: none"> <li>• Premium full extension, 100 lb <b>dynamic</b> weight rated, <b>adjustable undermount soft-close slides</b></li> </ul>	<ul style="list-style-type: none"> <li>• 3/4 extension, 100 lb <b>static</b> weight rated, undermount <b>epoxy slides</b></li> </ul>
<b>H</b> SHELVES	<ul style="list-style-type: none"> <li>• 3/4" (16 mm) thick veneered plywood adjustable shelves – half depth in base cabinets</li> </ul>	<ul style="list-style-type: none"> <li>• 3/4" (16 mm) thick veneered plywood adjustable shelves – half depth in base cabinets</li> </ul>
<b>I</b> END PANELS	<ul style="list-style-type: none"> <li>• 1/2" (12 mm) thick plywood end panels with exterior finish to match</li> <li>• UV coated, natural birch interior</li> </ul>	<ul style="list-style-type: none"> <li>• 1/2" (12 mm) thick plywood end panels with exterior finish to match</li> <li>• UV coated, natural birch interior</li> </ul>
<b>J</b> TOP/BOTTOM PANELS	<ul style="list-style-type: none"> <li>• 1/2" (12 mm) thick plywood captured top and bottom</li> <li>• UV coated, natural birch interior</li> </ul>	<ul style="list-style-type: none"> <li>• 1/2" (12 mm) thick plywood captured top and bottom</li> <li>• UV coated, natural birch interior</li> </ul>
<b>K</b> BACK PANELS	<ul style="list-style-type: none"> <li>• UV coated plywood back panel</li> </ul>	<ul style="list-style-type: none"> <li>• UV coated plywood back panel</li> </ul>
<b>L</b> CONSTRUCTION	<ul style="list-style-type: none"> <li>• All plywood cabinet construction</li> <li>• Dovetail / Pocket screw assembly system</li> <li>• 3/4" (19 mm) thick solid wood corner braces</li> <li>• 4-1/2" (114 mm) high toe kick</li> </ul>	<ul style="list-style-type: none"> <li>• All plywood cabinet construction</li> <li>• Dovetail / Pocket screw assembly system</li> <li>• 3/4" (19 mm) thick solid wood corner braces</li> <li>• 4-1/2" (114 mm) high toe kick</li> </ul>







# Quality Comes First

---

Your choice of cabinetry makes a personality-defining statement in your home. Selecting the right cabinets is an important first step because your cabinets should be just as functional on the inside as they are beautiful on the outside. Cabinets should withstand the demands of daily use, and maintain their integrity throughout their lifetime.

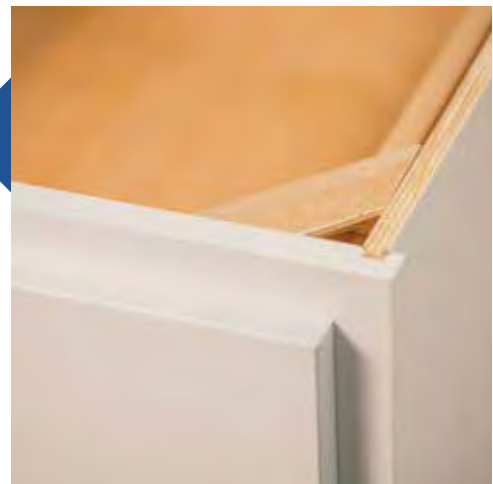


## It Starts with Quality Wood

Just as a healthy tree needs strong roots to thrive, so too does a quality cabinet require premium lumber at its core. Our cabinets feature a solid wood construction, so the quality of wood is of utmost importance.

## Structural Integrity

Meaningful yet hidden reinforcements, like solid wood corner blocks and strategically placed pocket screws, help reinforce the structural integrity of the cabinet. Take comfort that these well-constructed cabinets will stand the test of time.



## Thoughtful Craftsmanship

Boasting an innovative dovetail and hidden pocket screw construction, these cleverly designed cabinets result in robust quality and quick, accurate assembly.



## Pretty on the Inside Too

NorthPoint Cabinetry features a clean and beautifully finished birch interior that enhances the cabinet's luxurious, high-quality appeal.

## Premium Drawer Boxes

Dovetail joinery is the hallmark of high-quality drawer boxes. The finished interior of the drawer boxes coupled with the dovetail construction, and silky-smooth concealed slides make this drawer box the star of the show.

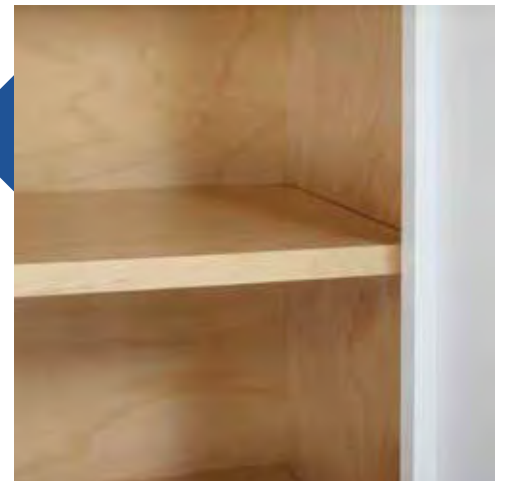


## Hardworking Hardware

Our cabinets feature discreet compact hinges and concealed undermount slides. The hinges & slides have been 3rd party tested and exceed industry standards. The Premier collection (shown) features full extension slides so that you can easily access and make use of the whole drawer.

## Sturdy Shelves

NorthPoint Cabinetry shelves are constructed from an impressive  $\frac{3}{4}$ " thick, veneered plywood. This means that you don't have to worry about shelves sagging under pressure of normal use. Shelf height is adjustable so that you can optimize storage space for your needs.



# Expert Finishing

Count on consistent, high-quality finishing. Our state-of-the-art manufacturing facility utilizes a multi-step professional finishing process. This meticulous process guarantees that finishes maintain a high degree of color and application accuracy from cabinet to cabinet, which means that your cabinets will look stunning.

Our cabinets and accessories feature water-based ultraviolet (UV) finishes. Water-based UV finishes emit low Volatile Organic Compounds (VOCs) and are environmentally responsible. Ultraviolet finishing uses light instead of heat for curing and the benefits include no environmental pollutants or solvents to evaporate, increased chemical resistance and durability.



ESPRESSO



SLATE

*Coming Summer 2021*



PEBBLE GREY



POLAR WHITE

## Premium Multi-Step Finishing Process

1. The finest wood components are sanded with precision
2. A balanced base coat is applied to ensure a consistent, quality finish
3. First stage ultraviolet (UV) curing process occurs
4. The wood is finely sanded and vacuumed
5. A tinted primer is applied as a foundation for our superior finish
6. Second stage (UV) curing
7. The wood is finely sanded and vacuumed
8. The solid paint layer is evenly applied
9. Third stage (UV) curing
10. The wood is finely sanded and vacuumed
11. First layer of water based clear coat is applied
12. The components go through the dryer to prepare for final processing
13. The wood is finely sanded and vacuumed
14. Second layer of water-based clear coat is applied
15. The components go through the dryer once again
16. Final sanding for a smooth surface and vacuumed for a thorough cleaning
17. A final layer of topcoat is evenly applied
18. Oven cured for catalyzed hardened finish
19. Visual inspection with a color consistency examination performed

*Process for stained products varies slightly from the above steps.*



## Product Depth & Breadth

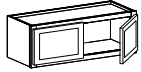
Our comprehensive line of 2,100 kitchen cabinets and accessories can accommodate almost any kitchen or bathroom layout.

Personalize your cabinets with cabinet organizers, cabinet lighting, and knobs and pulls offered through NorthPoint Cabinetry's sister brands - Hardware Resources, Jeffrey Alexander, Elements, Task Lighting.

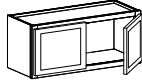
# Cabinet Lineup

## WALL CABINETS

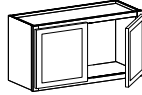
12" deep except where noted  
 42" high wall cabinets will have 3 shelves  
 \*39" and 42" widths will have a vertical center stile unless otherwise noted



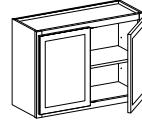
**Double Door**  
 12" Height  
 30", 33", 36"  
 or \*39" Width



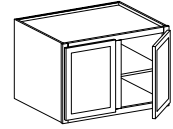
**Double Door**  
 15" Height  
 30", 33", 36"  
 or \*39" Width



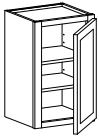
**Double Door**  
 18" Height  
 21", 24", 30", 33", 36"  
 or \*39" Width



**Double Door**  
 24" Height  
 30", 33", 36" or \*39" Width



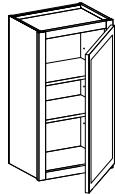
**Deep Double Door**  
 18" or 24" Height • 24" Depth  
 36" or \*39" Width  
 18" Height does not have shelf



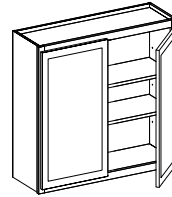
**Single Door**  
 30" Height  
 9", 12", 15", 18" or 21" Width



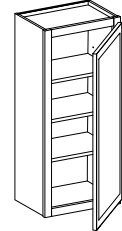
**Double Door**  
 30" Height  
 24", 27", 30", 33",  
 36", \*39" or \*42" Width



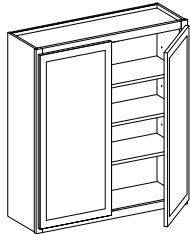
**Single Door**  
 36" Height  
 9", 12", 15", 18" or 21" Width



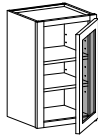
**Double Door**  
 36" Height  
 24", 27", 30", 33",  
 36", \*39" or \*42" Width



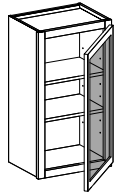
**Single Door**  
 42" Height  
 9", 12", 15", 18" or 21" Width



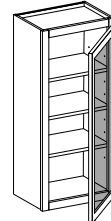
**Double Door**  
 42" Height  
 24", 27", 30", 33",  
 36", \*39" or \*42" Width



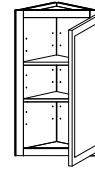
**Single & Double Glass Door**  
 Matching Finish Color Interior  
 30" Height  
 15", 18", 30" or 36" Width



**Single & Double Glass Door**  
 Matching Finish Color Interior  
 36" Height  
 15", 18", 30" or 36" Width

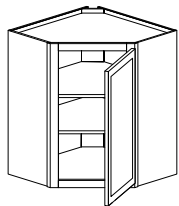


**Single & Double Glass Door**  
 Matching Finish Color Interior  
 42" Height  
 15", 18", 30" or 36" Width

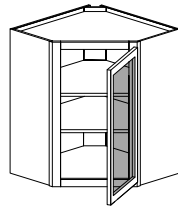


**Wall End Single Door**  
 30", 36" or 42" Height  
 12" Width

*Glass door wall cabinets only available in the Premier collection*

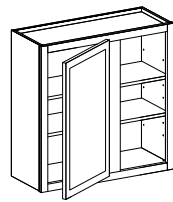


**Diagonal Corner**  
 30", 36" or 42" Height  
 12 or 15" Depth  
 24" and 27" Width

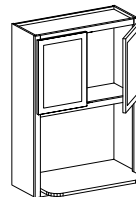


**Diagonal Corner Glass Door**  
 Matching Finish Color Interior  
 30", 36" or 42" Height  
 12 or 15" Depth  
 24" and 27" Width

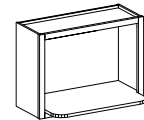
*Glass door wall cabinets only available in the Premier collection*



**Universal Blind Corner**  
 30", 36" or 42" Height  
 30"-33" Width



**Microwave Wall Cabinet**  
 Extended Shelf  
 36" Height  
 30" Width

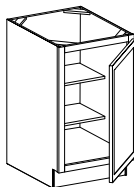


**Microwave Wall Cabinet**  
 Extended Shelf  
 18" Height  
 30" Width

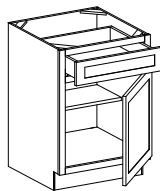
## BASE CABINETS

24" deep, 34-1/2" high  
 except where noted

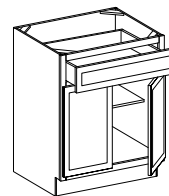
\*39" and 42" widths will  
 have a vertical center stile  
 unless otherwise noted



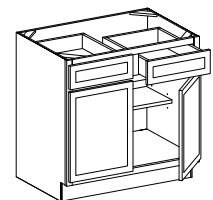
**Full Height  
 Single Door**  
 9", 12", 15" or 18" Width



**Single Door  
 and Drawer**  
 12", 15", 18" or 21" Width

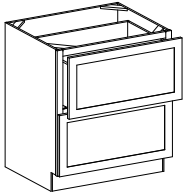


**Double Door and  
 Single Drawer**  
 24", 27" or 30" Width

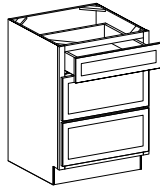


**Double Door and  
 Double Drawer**  
 33", 36", \*39" or \*42" Width

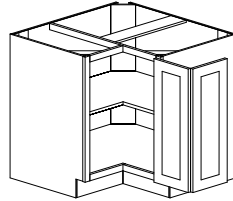
# 2,100 Cabinet Options in Stock for Immediate Delivery



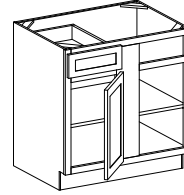
**Double Drawer**  
30" or 36" Width



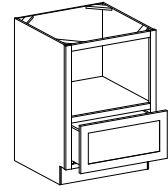
**Triple Drawer**  
12", 15", 18", 21", 24", 30"  
or 36" Width



**Base Corner Cabinet**  
33" or 36" Width  
  
(Lazy Susan inserts available)



**Universal Blind  
Base Corner**  
39"-42", 42"-45" or  
\*45-48" Width

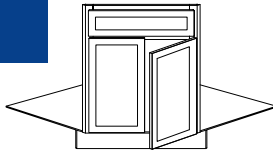


**Microwave Base  
Cabinet with Drawer**  
30" Width

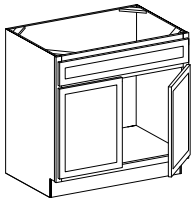
## SINK BASE CABINETS

24" deep, 34-1/2" high  
except where noted.

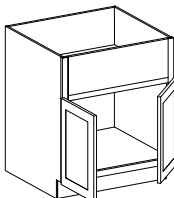
\*39" and 42" widths will  
have a vertical center stile  
unless otherwise noted



**Corner Sink Front  
Double Door**  
24" Depth  
(2-piece bottom panel)



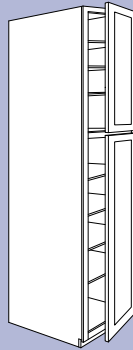
**Sink Base  
Double Door**  
30", 33", 36" or 39" Width



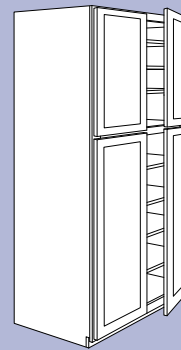
**Farmhouse Sink  
Base Double Door**  
36" or 39" Width  
(No center stile)

## TALL CABINETS

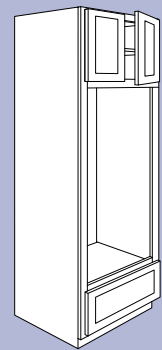
24" deep except  
where noted.



**Utility/Pantry  
Single Door**  
84", 90" (6 shelves),  
or 96" Height (7 shelves)  
18" Width



**Utility/Pantry  
Double Door**  
84", 90" (6 shelves),  
or 96" Height (7 shelves)  
24" or 30" Width

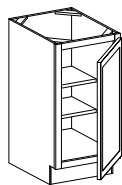


**Oven Double Door,  
Single Drawer**  
84", 90" or \*96" Height  
33" Width  
\*Single shelf in 96" only  
(Double Oven Overlay Panel available)

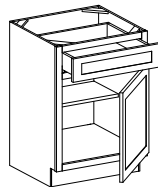
## VANITY CABINETS

21" deep, 34-1/2" high  
except where noted

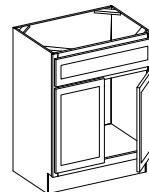
\*42" widths will have a  
vertical center stile



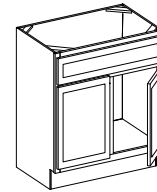
**Single Door**  
12" Width



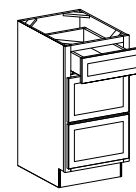
**Single Door  
and Drawer**  
12", 15" or 18" Width



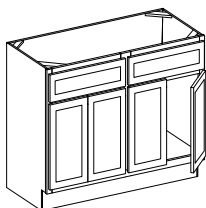
**Double Door**  
24", 27", 30", 33"  
or 36" Width



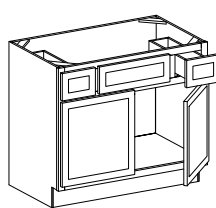
**Double Door  
Center Stile**  
42" Width



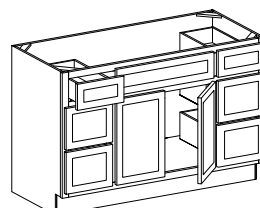
**Triple Drawer**  
12", 15", 18" and  
21" Width



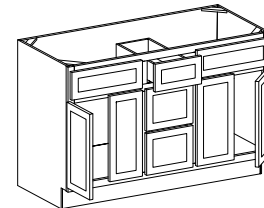
**Two Double Door**  
48" Width



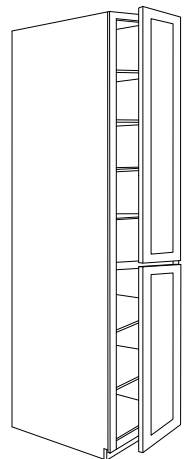
**Double Door and  
Double Drawer**  
36", 42" or 48" Width



**Double Door and  
Six Drawer**  
60" Width



**Two Double Door and  
Triple Drawer**  
60" Width



**Linen Single &  
Double Door**  
84" (6 shelves)  
Single - 15" and 18" Width  
Double - 24" Width

# PREMIER COLLECTION: CATALINA







## CATALINA FINISHES

---



POLAR WHITE  
(PAINTED)



PEBBLE GREY  
(PAINTED)



ESPRESSO  
(STAINED)



SLATE  
(STAINED)

*Coming Summer 2021*



# PREMIER COLLECTION: MAUI





## MAUI FINISHES

---



POLAR WHITE  
(PAINTED)



PEBBLE GREY  
(PAINTED)



ESPRESSO  
(STAINED)



SLATE  
(STAINED)

*Coming Summer 2021*



# ESSENTIALS COLLECTION: HATTERAS





## HATTERAS FINISHES

---



POLAR WHITE  
(PAINTED)



PEBBLE GREY  
(PAINTED)



ESPRESSO  
(STAINED)



# Cabinets for Any Space

---

The kitchen and bath are common spaces to install cabinetry. However, you can enhance your other spaces like the bathroom, laundry room, and entertainment areas with NorthPoint Cabinetry. Cabinets make those spaces more functional by providing additional storage and countertop work space.



## Wine Bar

Catalina Pebble Grey Cabinets

Decorative Cabinet Hardware: Marlo in Satin Nickel



## Bathroom

Maui Espresso Cabinets  
Decorative Cabinet Hardware:  
Bremen 2 in Gun Metal



## Laundry Room

Catalina Slate Cabinets  
Decorative Cabinet Hardware:  
Hudson Collection  
in Satin Nickel

# Ordering Made Easy

---

NorthPoint Cabinetry offers 3 convenient methods for easy order placement. We recommend placing orders online for faster processing and delivery, and to easily confirm products are in stock.

1. Online: [www.NorthPointCabinetry.com](http://www.NorthPointCabinetry.com)
2. Email: [Orders@NorthPointCabinetry.com](mailto:Orders@NorthPointCabinetry.com)
3. Fax: (318) 742-9513

## Order Placement

Place your online order by visiting [www.NorthPointCabinetry.com](http://www.NorthPointCabinetry.com). Login, select the items you wish to order, and simply checkout.

To order by email or fax, obtain a cabinet order form by logging in to the website, or request a form from a Customer Service team member or your Sales Representative. Submit the completed order form to the email address or fax number listed above. 20/20 and Pro Kitchen material lists are also accepted as long as NorthPoint Cabinetry's item number nomenclature is used.

For questions about your order, call (800) 463-0660. Our friendly customer service agents are available to help you from 7am until 6pm Central Time.

## Order Processing

Orders will be ready for pickup two hours after you have received your order confirmation email. Will Call orders are available for pickup at our facilities between the hours of 8am and 4pm local warehouse time. Should you have any questions about picking up your order or need to have the order modified in any way, contact your Customer Service Representative. All requests for returns must be made within 60 days of invoice date. Returns are subject to a 20% restocking fee unless the return is due to Hardware Resources' error or a quality issue.

## Returns

To request a Return Goods Authorization (RGA) contact Customer Service.

1. Phone: (800) 463-0660
2. Fax: (318) 742-9513
3. Email: [ReturnRequest@HardwareResources.com](mailto:ReturnRequest@HardwareResources.com)

Include the item number, quantity and reason for return when requesting an RGA. Items should be in original packaging, unassembled and shipped with care to avoid damage. Items received with damage may not be credited.

In the event that the return is due to an error by Hardware Resources, a return shipping label will be provided. Otherwise, shipments are the Customer's responsibility (including shipping fees) and should be shipped via a method which allows shipment tracking and proof of delivery.

# Warranty

---

## Premier Collection

Hardware Resources warrants to the original consumer purchaser that our Premier Cabinetry will be free from unnatural defects in material and workmanship under normal use and proper care for the period of FIVE (5) YEARS from the date of original purchase. This Limited Warranty applies only to the Original Purchaser and is not transferable to any other party.

### WARRANTY COVERAGE

Limited 5-Year Warranty on Cabinets to the original purchasing consumer from the date of original purchase that the cabinets will be free from defects in material and workmanship under normal use and proper care. Limited Lifetime Warranty on Drawer Slides and Hinges to the original purchasing consumer as long as they own the product. We warrant that the drawer slides and hinges shall be free from defects in material and workmanship under normal use.

## Essentials Collection

Hardware Resources warrants to the original consumer purchaser that our Essentials Cabinetry will be free from unnatural defects in material and workmanship under normal use and proper care for the period of ONE (1) YEAR from the date of original purchase. This Limited Warranty applies only to the Original Purchaser and is not transferable to any other party.

### WARRANTY COVERAGE

Limited 1-Year Warranty on Cabinets and on Drawer Slides to the original purchasing consumer from the date of original purchase that the cabinets will be free from defects in material and workmanship under normal use and proper care. Limited Lifetime Warranty on Hinges to the original purchasing consumer as long as they own the product. We warrant that the drawer slides and hinges shall be free from defects in material and workmanship under normal use.



# Task Lighting and Task Power

## About Task Lighting

Founded in 1985, by Ken Anderson, CKD, Task Lighting has been an innovative industry leader for over 35 years and operates a 35,000 sq. ft. manufacturing facility in Kearney, Nebraska.



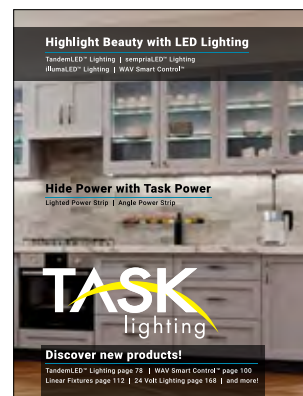
## Bring your kitchens to light!

Increase your revenue and increase your customer satisfaction by adding our simple-to-install no-electrician-needed lighting to your kitchen projects

Our FREE in-house Design Services team adds lighting and power to layouts and quotes, helping assist from start to finish and beyond

Contact your Hardware Resources representative or our Design Services team to receive the 2021 Task Lighting catalog, or find the full 2021 Task Lighting catalog online at [www.TaskLighting.com](http://www.TaskLighting.com)

## Ask for a catalog!



2021 Task Lighting and Task Power Catalog

## Videos that teach and sell

Visit [www.Vimeo.com/TaskLighting](http://www.Vimeo.com/TaskLighting) to explore our videos on installation, product benefits and highlights, and more.

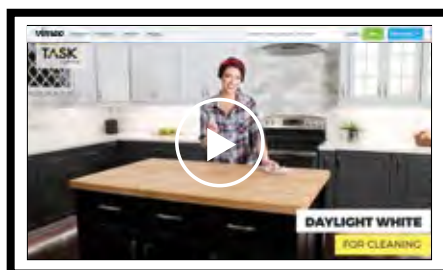


View our Videos  
Scan to go to our Vimeo page  
<https://delivr.com/2j2z3>

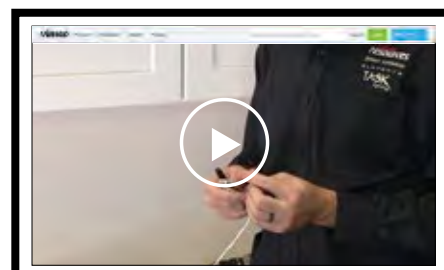
Videos for your customer



Product Videos



Installation Videos





TASK lighting

TASK power

TandemLED TASK lighting

illumLED TASK lighting

sempriaLED TASK lighting

WAV Wireless App Voice SMART CONTROL

## Task Lighting and Task Power offer a full range of 2100 products including:



LED Linear Fixtures



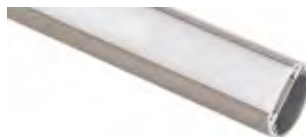
LED Tape Lighting



LED Tape Lighting Kits



LED Puck Lights



LED Lighted Closet Rods



LED Specialty Lighting



Angle Power Strip



Lighted Power Strip



For more information on Task Lighting products, scan the QR code or visit [www.TaskLighting.com](http://www.TaskLighting.com)

5 YEAR WARRANTY



## Your FREE Design Assistant for Lighting and Power Layouts

Call us at **866-848-9094** or e-mail [DesignAndSupport@TaskLighting.com](mailto:DesignAndSupport@TaskLighting.com).

Our friendly team will create FREE layouts like the one below, provide quotes, give advice on the best products for your project, and help in choosing between assembled light fixtures, puck lights, and tape lighting.

Are you unsure about the best color temperature for your application? We can help with that, too!

**TASK lighting**  
Design Services  
866-848-9094  
[DesignAndSupport@TaskLighting.com](mailto:DesignAndSupport@TaskLighting.com)

QUANTITY	SYMBOL	ITEM NUMBER		
1		L-VAN900-18-30 30 ft roll Vanol Series LED Tape Light		
2		T-60N-12V-FI 60 watt plug-in power supply		
2		T-Q-W36 36 watt receiver		
1		L-BUS-ENF-P-W Flame light for ultra connector (8 pieces in each pack)		
1		T-G20-875-50 20 gauge stranded, white jacket, 50 ft roll		
2		T-IG 12-REC-FI-WT Line 1 Zone controller		
2		L-APW-425 35 Adhesive Promoter Wipes		
1		T-TOOL-801 Flat style screwdriver, 3 sizes (Phillips and flat heads)		
1		TR12-DWD-P-WT 12" TR Series Angle Power Strip with white device, white fabric		
2		TR18-DWD-P-WT 18" TR Series Angle Power Strip with white device, white fabric		
2		TR30-DWD-P-WT 30" TR Series Angle Power Strip with white device, white fabric		
1		TR42-DWD-P-WT 42" TR Series Angle Power Strip with white device, white fabric		

Locations of wiring, power supplies, receivers, and switches are for illustration and do not indicate required installation locations. Installation locations are based upon job site conditions. Additional components may be needed when wireless controlling is set up by zones or areas.

Sample of a FREE layout from Design Services showing Angle Power Strip and LED Tape Lighting

## Product Warranties

All Task Lighting (TandemLED™, sempriaLED®, illumaLED™) and Task Power products are backed by a 5 year warranty. Accessories are backed by a 3 year warranty.

**5 YEAR**  
WARRANTY

**3 YEAR**  
WARRANTY

# Preserve the beauty of the backsplash

Eliminate unsightly power outlets with tucked away Angle Power Strip fixtures...



Angle Power Strip tucked up under the cabinet, preserving the backsplash (and "disappears" when standing)

OR use Lighting and Power together with Lighted Power Strip fixtures



Lighted Power Strip

Lighting and Power tucked up together underneath the cabinets, eliminating unsightly power outlets while illuminating the kitchen

# and island with **Tucked-Away Power**

## Lighted Power Strip Fixtures

Available from 10-1/2" – 72-1/2"

Finish options - Black, Bronze, Satin Nickel, and White



The patented angle design allows for easy access to the power outlets while keeping the outlets and lighting nicely hidden from sight



## Angle Power Strip Fixtures

Available from 9" – 72"

Finish options - Black, Bronze, Satin Nickel, and White



For more information on Angle Power Strip and Lighted Power Strip fixtures, scan the QR code or visit [www.TaskLighting.com](http://www.TaskLighting.com)

# TandemLED™ Lighting

A patented\*, two-wire, tunable white LED lighting technology



Easily select from Warm White 2700K to Daylight White 5000K and all white color temperatures in between. Eliminate the need to settle on one lighting color in a space.



**Avoid unhappy customers – select the white light Kelvin temperature AFTER the cabinets and lighting are installed. TandemLED is the safe choice – why buy anything else?**



## Tunable White LED Lighting

Tune the white light at any time to mirror outdoor lighting and synchronize with the body's circadian rhythm.

## Smart Home compatible

Easily create a personalized lighting experience at the click of a button or by the sound of your voice with a compatible Smart Home device.

## Why buy anything else?

Get the white color tuning and simplicity of TandemLED lighting for the same cost as regular LED lighting.

## TandemLED lighting is available in several products

LED Linear Fixtures



LED Puck Lights



LED Tape Lighting



LED Tape Lighting Kits



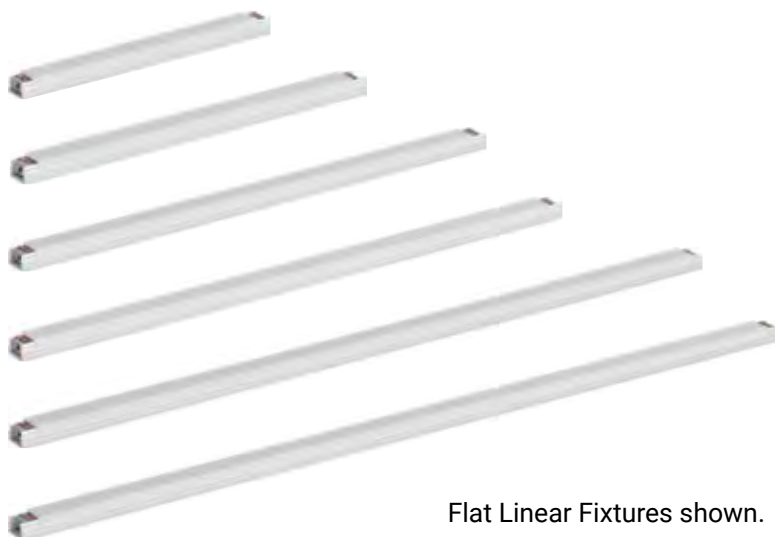
\*U.S. patent number 10721801

# Easily highlight the beauty of any space!

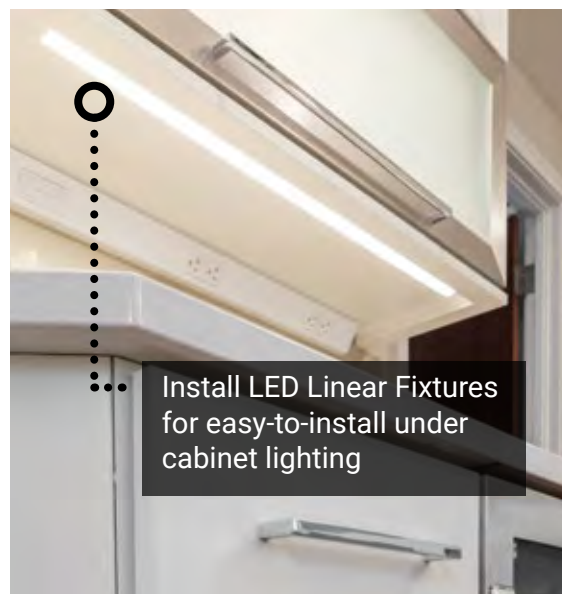
**Task Lighting has LED lighting to fit any space and design!**

## There's a linear fixture for every application

- 14 lengths
- color temperature options
- lumen output options
- easy-to-install fixtures



Flat Linear Fixtures shown.  
All 14 lengths available in Flat, Angled, and Recessed profiles



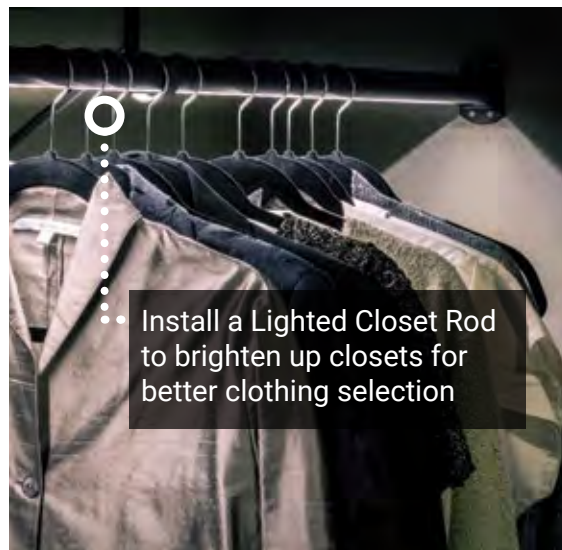
Install LED Linear Fixtures for easy-to-install under cabinet lighting



Use LED Tape Lighting under cabinets to illuminate countertops



Light up a kitchen island with LED Flex Sheet lighting



Install a Lighted Closet Rod to brighten up closets for better clothing selection

# LED Tape Lighting so easy to install

Professional-grade LED Tape Lighting Kits come with all components necessary to create beautiful lighting effects in a home. Our kits make installing tape lighting easy by eliminating the hassle of ordering individual pieces.

## TandemLED Tape Lighting Kit



## Single Color Tape Lighting Kit



## RGB Tape Lighting Kit



Wireless Controller magnetically attached to wall mounted Decora style mounting plate – no electrician needed!

### It's all in the box!

Variety of kits available, with 16 ft. to 65 ft. of tape lighting. Our most popular kits include:

- 16 ft. LED tape lighting
- 60 watt power supply
- Wireless controller/receiver
- Decora style mounting plate
- Connectors
- In-wall rated wire
- Adhesive promoter wipe
- Even a multi-bit screwdriver!

## Set a mood and enhance any space using LED Tape Lighting Kits





# that **no electrician is needed!**



- Designed for a cabinet installer to install
- Uncomplicated, clean connections
- FREE design layouts and technical assistance
- Easy to follow installation videos and installation instructions
- Plug into existing electrical outlet behind the microwave, refrigerator, or under the sink
- Simple-to-install snap-in linear fixtures
- All inclusive LED tape lighting kits make it easy
- 3M™ waterproof high-bond adhesive tape for secure installation
- Cut wire to length – no jumpers or leads!
- No bundles of cable to hide
- Wireless Controller means no need to wire in a light switch (but can mount on the wall to look like a wired-in switch)

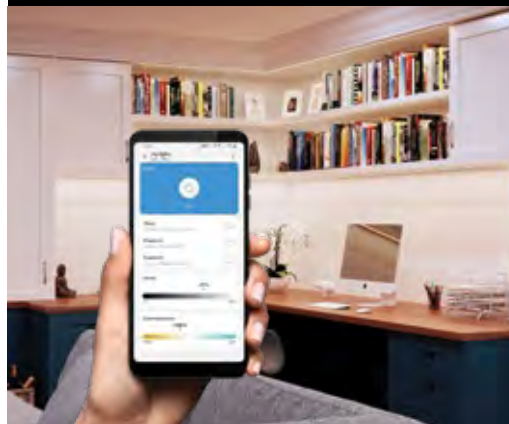


Scan to go to our Vimeo page for installation videos  
<https://delivr.com/2j2z3>

Use a Wireless Controller for control anywhere in the home



Use with a Smart Home device app to control with a smart phone



Use with a Smart Home speaker for voice control



Take LED lighting to the next level. Our WAV Smart Control™ interface provides lighting control using an existing Smart Home device, the smart phone app for that device, and/or using our Wireless Controller.

# Don't miss our products for manufacturing customers



**Cabinet Hinges**



**Drawer Slides**



**Commercial Hardware**



**Wood Corbels**



**Wood Posts**



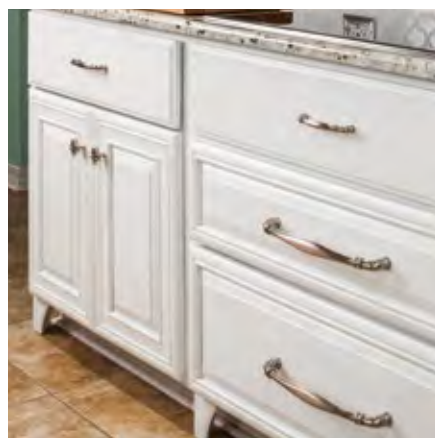
**Wood Accents**



**Wood Mouldings**



**Dovetail Drawer Boxes**



**Mitered Cabinet Doors & Drawer Fronts**



See these products online at [www.HardwareResources.com](http://www.HardwareResources.com)  
Ask your Sales Representative for a Manufacturing Catalog

# Policies and Procedures

## **ORDERING**

---

- Website: [www.HardwareResources.com](http://www.HardwareResources.com)
- Phone: (800) 463-0660
- Fax: (318) 742-9513
- Email: [CustomerService@HardwareResources.com](mailto:CustomerService@HardwareResources.com)
- Mail: 4319 Marlena Street, Bossier City, LA 71111
- Customer Service is available from 7:00 am until 6:00 pm Central Time
- \$25 order minimum unless purchasing items as part of our Preferred program
- Your Will Call order will be ready for pickup two hours after you have received your order confirmation email. Will Call orders will be available for pickup between the hours of 8 am and 4 pm local warehouse time. Should you have any questions about picking up your order or need to have the order modified in any way, contact your Customer Service Representative.

The Hardware Resources website allows you to place an order, track shipments, view payments, download price lists, add additional website users and offers many other features.

## **RETURNS**

---

All requests for returns must be made within 60 days of invoice date. Returns are subject to a 20% restocking fee unless the return is due to Hardware Resources' error or a quality issue.

To request a Return Goods Authorization contact Customer Service.

- Phone: (800) 463-0660
- Fax: (318) 742-9513
- Email: [ReturnRequest@HardwareResources.com](mailto:ReturnRequest@HardwareResources.com)
- Include the item number, quantity and reason for return when requesting an RGA

Items should be in original packaging and shipped with care to avoid damage. Items received damaged may not be credited.

In the event that the return is due to an error by Hardware Resources a return shipping label will be provided. Otherwise, shipments are the Customer's responsibility and should be via a method which allows shipment tracking and proof of delivery.

## **MINIMUM SELLING PRICE (MSP) POLICY**

---

Hardware Resources has a strict internet MSP (Minimum Selling Price) Policy. Our policy is a maximum 10% discount off of our current List Price across all Hardware Resources brands and products for sale on the internet.

The only exception to the MSP policy is for products Hardware Resources has designated on our [HardwareResources.com](http://HardwareResources.com) website as Discontinued.

Hardware Resources is committed to proactively seeking out, finding, and dealing with Internet MSP Policy violators. Customer websites are checked during weekdays, and also checked evenings and weekends to find violations outside of regular business hours. We strive to find and fix MSP violations before we hear a complaint from a Customer. Policy violations result in suspensions and customer terminations, and we do several such terminations each year.

**Log into your account on [www.HardwareResources.com](http://www.HardwareResources.com) for a more detailed listing of our Policies and Procedures.**

Everything you need for a **beautiful** and **organized** kitchen, bath, closet and more



KNOBES & PULLS

ORGANIZATION

SINKS

CABINETRY

LED LIGHTING & POWER

Want more inspiration? Find us on social media!



DESIGN by **hardwareresources**<sup>®</sup>

A BLOG FOR THE DESIGN COMMUNITY

<https://blog.hardwareresources.com>

Acct # \_\_\_\_\_

Website Login \_\_\_\_\_

Website Password \_\_\_\_\_

**hardware**  
**resources**<sup>®</sup>

4319 Marlena St, Bossier City, LA 71111

**www.HardwareResources.com**

800.463.0660 • fax 318.742.9513



CATSRM21-1 5-2021