

Wood Products

Decorative Wood & Moulding

| | |
|--|---------|
| Species | 353 |
| Warranty | 353 |
| Rubberwood | 354 |
| What's NEW | 355 |
| Corbels Chart | 356-357 |
| Fireplace Corbels Chart | 358 |
| Posts & Legs Chart | 359-361 |
| Onlays & Appliqués Chart | 362-363 |
| Cabinet Feet Chart | 364-365 |
| Custom Wood Display Tower | 366-367 |
| Decorative Wood | |
| Corbels | 370-422 |
| Countertop Support Bracket | 423 |
| L-Shaped Countertop Support Bracket NEW | 424 |
| Metal Corbels | 425 |
| Fireplace Corbels | 426-429 |
| Capitals | 430-432 |
| Onlays & Appliqués | 433-441 |
| Metal Onlays | 437 |
| Corner Post | 442-444 |
| Corner Legs | 445-447 |
| Post Sleeves | 448-449 |
| Posts | 451-494 |
| Feet & Legs | 496-504 |
| Metal Feet | 504 |
| Moulding | |
| Hand Carved Moulding | 506-508 |
| Crown NEW | 509-522 |
| Rope | 523-528 |
| Dentil | 529-531 |
| Embossed | 532-533 |
| Base NEW | 534-537 |
| Chair Rail | 538 |
| Accent | 539 |
| Light Rail | 540-543 |
| Shelf | 543 |
| Stemware | 543 |
| Beauty | 544 |
| Face Frame NEW | 545 |
| Creative Columns | 546-552 |
| Fluted | 553-554 |
| Corner | 555-556 |
| Transition Blocks | 557-559 |
| Moulding Cornice Blocks | 560 |
| Rosettes | 561-562 |

Dovetail Drawer Boxes

| | |
|---|---------|
| Dovetail Drawer Boxes | 564 |
| Rollouts & High-Back Rollouts | 565 |
| Drawer Box Linear Material | 565 |
| Custom Tray Organizers | 566-567 |
| In Stock Preassembled Rollout Drawers | 568-569 |
| Custom Laser Engraving | 570 |
| Calculations for Ordering | 571 |

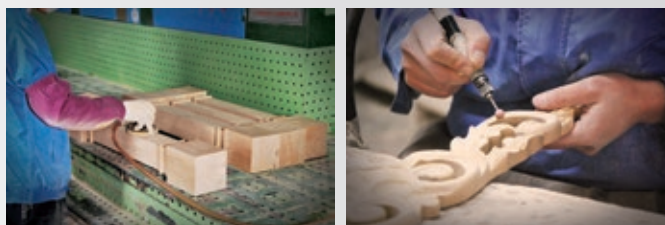
*All decorative wood products are stocked in our regional warehouses,
with 98% fill rates and same-day shipping for fast delivery*

Designer-driven selection of carvings:

- » Over 2500 SKUs of corbels, posts, legs & feet, onlays, capitals, and hand carved moulding.
- » Copyright-protected designs unique to Hardware Resources.
- » Designs offered in size families, allowing the same design to be carried throughout the home in different applications.
- » Each piece is CNC machined for exact pattern duplication and hand carved for finishing details.



- » All items are hand sanded to a smooth finish, and individually inspected under bright light.



- » Every carving is packed with a silica bag for moisture protection, shrink-wrapped to protect against soiling, and UPC labeled for retail sale.

Linear Moulding:

- » Made in the USA.
- » Over 600 SKUs – stocked in our Bossier warehouse in 100% clear/clean usable 8' lengths – perfect for ordering by the job.
- » Exact pattern duplication is guaranteed by using the finest CNC moulding technology. All knives are created and sharpened in our facility, ensuring a consistent product run after run.



- » Rope and dentil mouldings are applied by hand with glue – never nailed or stapled.
- » Every length is inspected individually under bright light before shipping.

Carvings and linear mouldings are available in North American hardwoods, including:



Alder (ALD) – superior clear FAS grade; typical “rustic” characteristics are defected out (such as heavy mineral, heavy sap, or severe knots); pulled for uniform pink coloration



Cherry (CH) – FAS select grade, pulled for maximum red-colored heartwood on the best face



Maple (MP/HMP) – New York and Michigan select hard maple; FAS grade 1&2 white



Oak (OK) – FAS superior grade select Appalachian red oak; pulled for wheat color



Poplar (POP) – Southern FAS natural poplar; a mixture of sap and heartwood; blacks, purples, and greens are acceptable; this is our paint-grade species for linear mouldings

Most carvings are also available in species designed for price-sensitive projects, including:



Rubberwood (RW) – a member of the maple family, this hardwood comes from trees whose sap produces latex (rubber); an environmentally friendly wood due to its secondary use in furniture and carvings; dense tight grain with even coloration ranging from pink to light brown; accepts stain readily to match a wide variety of North American species



White Birch (WB) – hardwoods including Asian white birch, Russian (Baltic) birch, and Asian soft maple; pale white in color with finely textured grain makes this species a good staining alternative to hard maple

Decorative Wood & Moulding Warranty

Hardware Resources believes in quality, integrity, and reliability. We uphold the highest standards of service and responsibility in the industry.

As such, Hardware Resources warrants all Decorative Wood and Moulding to be free from any defects in material and workmanship. This warranty is valid for up to 1 year from the time of original purchase. Hardware Resources will send the original consumer purchaser, without charge, new replacement product of equal size and species to replace any defective wood or moulding product subject to this warranty. This warranty is a warranty of replacement only. Hardware Resources specifically does not warrant removal of the defective product nor installation of the new one. This warranty does not cover the finish work on the new product, product that has been incorrectly installed, exposed to extreme temperatures or humidity, or otherwise used in any manner contrary to their intended purpose. Moulding sold in less than carton quantity is subject to damage in shipping and is not eligible for a warranty claim.

In the unlikely event that a defective Decorative Wood or Moulding is encountered, please contact Customer Service at 800.463.0660. Please be able to provide a brief description and photographs of the defect.



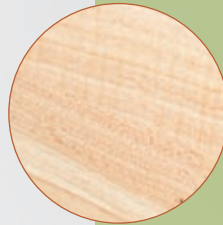
What is Rubberwood?

Rubberwood comes from the Para rubber tree, *Hevea Brasiliensis*, which is plantation-grown and produces latex used in making rubber.



Rubberwood is environmentally friendly!

Once the tree reaches maturity (usually about 25–30 years old), it ceases producing latex. Rather than being scrapped or burned, those mature trees are harvested and cut into lumber, and new trees are planted.



Rubberwood has consistent grain & coloring.

It is a light-colored medium-density hardwood that is characterized by straight grain with an open texture. Like all hardwoods, it takes on stains easily.



Rubberwood is a stable construction material.

It can be used to make many products due to its minimal shrinkage in the kiln drying process. Some products include: cabinets, drawer boxes, floors, counter & table tops, furniture, kitchen accessories and more.



CTOPSUP10-L

See page 424

Our newest countertop support bracket is L-shaped to provide extra support when mounted over the knee wall. Uniquely designed with holes on both sides, the L-support bracket provides the user options for the most optimal installation results.



BASE1-4-HMP

BASE2-4-HMP

BASE5-HMP

Contemporary moulding is NOW available in exclusive Hardware Resources designs!

Whatever your needs, we offer a variety of smooth curves, sleek lines, and crisp edges to complete any contemporary space.



CONCR4-HMP

See pages 518-519 & 535-357

Hardware Resources' face frame material is made with the same materials as your customer's doors, making the color match process much easier and more consistent.

We produce and stock the face frame material in Bossier City, LA, therefore it can be shipped at the same time as door purchases.



FACE150HMP

See page 545

Corbels



CORB
page 370-371



CORK
page 372-373



CORP
page 373



CORS
page 374



CORE
page 374



CORAA
page 375



CORC
page 376, 380



CORN
page 377



CORQ
page 378-379



CORF
page 380



COR17
page 381



COR30
page 382



CORY
page 383



COR2
page 383



COR4
page 383



COR26
page 384



CORG
page 385



CORJ
page 385



CORW
page 386



COR25
page 387



COR44
page 388



COR22
page 389



COR19
page 390



COR20
page 391



CORO/CORH
page 392-393



COR16
page 394



CORX
page 394



CORV
page 394



COR46
page 395



COR28
page 395



CORSM
page 396



CORSQ
page 396



COR9
page 397



COR18
page 398



COR21
page 399



CORU
page 400



COR32
page 401



COR33
page 402



CORZ
page 403



COR40
page 404



CORM
page 405



COR8
page 406



COR38
page 407



COR39
page 408



CORT-S
page 409



CORT-P
page 409



CORT-F
page 409



COR42
page 410



COR43
page 410



COR23
page 411



COR24
page 412



COR15
page 413



COR7
page 414



COR5
page 415



COR6
page 416



COR3
page 417



COR14
page 418



COR31
page 419



COR41
page 419



COR47
page 420



COR36
page 420



COR35
page 421



COR37
page 421



COR34
page 422



COR45
page 422



Fireplace Corbels



FCORB
page 426



FCORQ
page 426



FCOR5
page 427



FCOR6
page 427



FCORE
page 428



FCOR4
page 428



FCORV
page 429



FCOR21
page 429



CP-1
page 442



CP-2
page 443



CP-3
page 444



CL-1
page 445



CL-3
page 445



CL-2
page 445



LEGB
page 446



LEGC
page 446



LEGA
page 447



LEGD
page 447



P81
page 451



P1
page 452-453



P23
page 454



P28/P29
page 455



P4
page 456



P4-2
page 456



P6
page 456



P26
page 457



P11
page 458



P15
page 458



P16
page 458



P14
page 459

Posts & Legs



P19
page 459



P22
page 459



P2/P20
page 460-461



P3/P21
page 462



P9
page 463



PS-9
page 463



P27
page 464



P35
page 465



P78
page 466



P70
page 467



P38
page
468-469



P13
page 470



P37
page 471



P83
page 472



P82
page 473



P34
page 473



P39
page 474



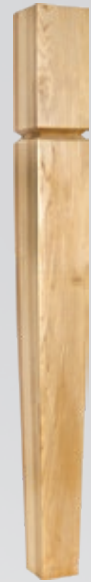
P36
page 474



P41
page 474



P73
page 475



P60
page 476



P62
page 477



P74
page 478



P72
page 479



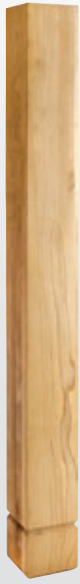
P64
page 480



P32
page 480



P61
page 481



P33
page 481



P42
page 482



P31
page 482



P43
page 483



P63
page 484



P75
page 485



P65
page 486



P67
page 487



P68
page 488



P79
page 489



P80
page 490



P71
page 491



P76
page 492



P77
page 493



P66
page 494

Onlays & Appliqués



PAPL-12
APL-12
page 441



PAPL-13
APL-13
page 440



PAPL-08
APL-08
page 440



PAPL-09
APL-09
page 440



PAPL-06
APL-06
page 440



PAPL-07
APL-07
page 440



PAPL-14
APL-14
APL-14-5
page 441



PONL-02
APL-02
page 434



ONL-01
page 433



ONL-02-16
page 434



ONL-09
page 436



ONL-02
page 434



ONL-04
page 436



PONL-043
APL-04
page 435



ONL-07
page 437



PONL-08
ONL-08
page 435



ONL06
page 438



PAPL-05
APL-05
page 438



PAPL-10
APL-10
page 439



PAPL-11
APL-11
page 439



ONL-10
page 436



AP001
page 433

Cabinet Feet



WL80 - 8"
WL60 - 6"
page 496



WLC86 - 8"
WLC60 - 6"
page 496



WLC80 - 8"
page 496



WLF80 - 8"
WLF60 - 6"
page 497



WLFC80 - 8"
WLFC60 - 6"
page 497



WL85 - 8"
WL65 - 6"
page 496



WLC85-8"
WLC65-6"
page 496



WL82 - 8"
page 496



WLC50 - 5"
page 497



WL50 - 5"
page 497



PFL/PFR - 4"
page 498



PFC - 4"
page 498



PFCS - 4"
page 498



PFM1 - Middle
page 498



PFL-B/PFR-B - 4-1/2"
page 499



PFC-B - 4-1/2"
page 499



PFCS-B - 4-1/2"
page 499



PFM1-B - Middle
page 499



PFL2/PFR2 - 4-1/2"
page 500



PFCS2 - 4-1/2"
page 500



PFM2 - Middle
page 500



PFSHA - 4-1/2"
page 500



PFCSHA - 4-1/2"
page 500



PFCCOV - 4-1/2"
page 501



PFCCOV - 4-1/2"
page 501



LBF45 - 4-1/2"
page 501



FBF45 - 4-1/2"
page 501



SBF45 - 4-1/2"
page 501



BF70 - 4"
page 502



BF45 - 4-1/2"
page 502



BF14-5 - 4"
page 502



BF14-4 - 5"
page 502



BF42 - 4"
page 501



BF14-3 - 4"
page 502



BF14-1 - 5"
page 502



BF14-2 - 4"
page 502



BF15-1-8 - 8"
BF15-1-6 - 6"
page 503



BF15-2-8 - 8"
BF15-2-6 - 6"
page 503



BF33 - 4-1/2"
page 502



BF32 - 4-1/2"
page 501



BF34 - 4"
BF34-5 - 4-1/2"
page 501



BF90 - 4-1/4"
page 502



BF41 - 4-1/2"
page 503



BF35 - 4-1/2"
page 501



BF40 - 4-1/2"
page 502



BF16-1 - 4-1/2"
page 502



BF16-2 - 4-1/2"
page 502



BF16-3-6 - 6"
page 503



BF16-4-8 - 8"
page 503



BF4 - 4"
page 503



BF60 - 6"
page 503



BF30 - 3"
page 503



BFC40 - 3"
page 503

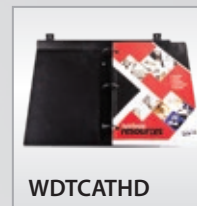
Showcase decorative corbels & posts so your customer can visualize their design.



Wood Display Tower
Item #: WDT-36

Display Tower Features

- Mix-and-match corbels & posts for a custom design option or order our predesigned tower (see page 367 for details)
- Display coordinating corbels & posts together
- Unfinished wood products allow you to customize with your preferred finish
- Use pin hooks & post brackets to arrange the selected wood products on the slat wall panels
- Dimensions: 34-15/16" x 30-1/4" x 80-7/8"



Available Accessories:

| | |
|----------------------|---|
| PINHOOK-MULTI | Pin hooks for slat walls, 5-piece package |
| 5.0PB-MULTI | 5" post brackets, 3 sets per package |
| 3.5PB-MULTI | 3-1/2" post brackets, 3 sets per package |
| WDTCATHD | Catalog Holder for Wood Display Tower |
| WDTSOHD | Special Order Form Holder |

We've created a Predesigned Wood Display Tower to help get your started.

Each wing features the most popular corbels & posts in each category.

- 3 different styles: Transitional, Traditional, and Contemporary
- The towers are stocked with unfinished rubberwood corbels and posts.
- Alternate wood species upgrades are available by request.
- The tower is included FREE with the purchase of the predesigned layout.

Transitional

Item Number

| | |
|----|-------------|
| 1 | CORG-5-RW |
| 2 | CORG-4-RW |
| 3 | CORG-RW |
| 4 | CORG-3-RW |
| 5 | COR39-1-RW |
| 6 | COR39-2-RW |
| 7 | COR39-RW |
| 8 | COR39-3-RW |
| 9 | COR38-1-RW |
| 10 | COR38-2-RW |
| 11 | COR38-RW |
| 12 | COR38-3-RW |
| 13 | CORZ-1RW |
| 14 | CORZ-5-RW |
| 15 | CORZ-3RW |
| 16 | P83-5-42-RW |
| 17 | P83-RW |



Traditional

Item Number

| | |
|----|------------|
| 1 | CORMJ-RW |
| 2 | CORBB-5-RW |
| 3 | CORB-PRW |
| 4 | CORBB-1RW |
| 5 | CORD-RW |
| 6 | CORBB-2RW |
| 7 | CORBB-3RW |
| 8 | CORN-4RW |
| 9 | CORC-5-RW |
| 10 | CORF-5-RW |
| 11 | CORC-PRW |
| 12 | CORN-2RW |
| 13 | CORN-3RW |
| 14 | CORC-1RW |
| 15 | CORN-6RW |
| 16 | CORC-2RW |



Contemporary

Item Number

| | |
|----|-------------|
| 1 | CORO-5-RW |
| 2 | CORO-2RW |
| 3 | CORO-4-RW |
| 4 | COR22-5-RW |
| 5 | CORO-6-RW |
| 6 | CORH-2-RW |
| 7 | PS-9-5-RW |
| 8 | COR41-1-RW |
| 9 | COR41-2-RW |
| 10 | COR41-3-RW |
| 11 | P78-RW |
| 12 | P78-5-42-RW |





SUB ZERO

Corbels



Corbels



| CORBB-24 | | |
|------------------|-------|--------|
| Width | Depth | Height |
| 9-1/2" | 16" | 24" |
| Carton Quantity: | | 1 |
| White Birch | | |



| CORB-4 | | |
|---------------------------------------|--------|--------|
| Width | Depth | Height |
| 8-1/4" | 6-1/4" | 14" |
| Carton Quantity: | | 2 |
| Alder, Cherry, Hard Maple, Rubberwood | | |



| CORD | | |
|--|--------|--------|
| Width | Depth | Height |
| 4-7/8" | 4-1/2" | 12" |
| Carton Quantity: | | 8 |
| Alder, Cherry, Hard Maple, Oak, Rubberwood | | |



CORBB-3

| Width | Depth | Height |
|------------------|-------|--------|
| 6-3/4" | 8" | 22" |
| Carton Quantity: | | 2 |

Alder, Cherry, Hard Maple, Oak, Rubberwood



CORBB-2

| Width | Depth | Height |
|------------------|-------|--------|
| 5" | 7" | 14" |
| Carton Quantity: | | 4 |

Alder, Cherry, Hard Maple, Oak, Rubberwood



CORB-P

| Width | Depth | Height |
|------------------|--------|--------|
| 2-1/2" | 2-5/8" | 7" |
| Carton Quantity: | | 50 |

Cherry, Hard Maple, Rubberwood



CORMJ

| Width | Depth | Height |
|------------------|--------|--------|
| 3" | 1-3/4" | 4-1/4" |
| Carton Quantity: | | 50 |

Cherry, Hard Maple, Oak, Rubberwood



CORBB-5

| Width | Depth | Height |
|-------------------|--------|--------|
| 3" | 2-1/2" | 5" |
| Inner Carton Qty: | | 10 |

Alder, Cherry, Hard Maple, Rubberwood, White Birch



CORBB-1

| Width | Depth | Height |
|------------------|-------|--------|
| 4-1/2" | 5" | 10" |
| Carton Quantity: | | 8 |

Alder, Cherry, Hard Maple, Oak, Rubberwood

Corbels



CORK-5

| Width | Depth | Height |
|--------|--------|--------|
| 8-1/2" | 4-3/4" | 35" |

Carton Quantity: 2

Alder, Cherry, Hard Maple, Rubberwood



CORK-4

| Width | Depth | Height |
|-------|--------|--------|
| 7" | 3-3/4" | 22" |

Carton Quantity: 4

Alder, Cherry, Hard Maple, Rubberwood



CORK-6

| Width | Depth | Height |
|--------|--------|--------|
| 5-1/2" | 3-1/2" | 14" |

Carton Quantity: 10

Alder, Cherry, Hard Maple, Rubberwood



| CORK-3 | | |
|------------------|--------|--------|
| Width | Depth | Height |
| 4-1/2" | 1-7/8" | 10" |
| Carton Quantity: | | 25 |

Alder, Cherry, Hard Maple, Oak, Rubberwood



| CORK-2 | | |
|------------------|--------|--------|
| Width | Depth | Height |
| 3-5/8" | 1-1/2" | 8" |
| Carton Quantity: | | 40 |

Alder, Cherry, Hard Maple, Oak, Rubberwood



| CORK-1 | | |
|------------------|--------|--------|
| Width | Depth | Height |
| 2-3/4" | 1-3/8" | 6" |
| Carton Quantity: | | 50 |

Alder, Cherry, Hard Maple, Oak, Rubberwood



| CORP-1 | | |
|------------------|--------|--------|
| Width | Depth | Height |
| 2-7/8" | 1-1/2" | 4-1/2" |
| Carton Quantity: | | 50 |

Cherry, Hard Maple, Rubberwood



| CORP-2 | | |
|------------------|--------|--------|
| Width | Depth | Height |
| 3-5/8" | 1-1/2" | 5-1/2" |
| Carton Quantity: | | 50 |

Cherry, Hard Maple, Rubberwood



| CORP-3 | | |
|------------------|-------|--------|
| Width | Depth | Height |
| 4-1/2" | 2" | 7" |
| Carton Quantity: | | 50 |

Cherry, Hard Maple, Rubberwood

Corbels



| COR S | | |
|------------------|-------|---------|
| Width | Depth | Height |
| 2-5/8" | 9" | 13-1/8" |
| Carton Quantity: | | 10 |

Alder, Cherry, Hard Maple, Rubberwood



| CORE | | |
|------------------|--------|--------|
| Width | Depth | Height |
| 3-3/8" | 7-3/4" | 13" |
| Carton Quantity: | | 8 |

Alder, Cherry, Hard Maple, Oak, Rubberwood, White Birch



| CORE-1 | | |
|------------------|-------|--------|
| Width | Depth | Height |
| 3" | 7" | 10" |
| Carton Quantity: | | 8 |

Alder, Cherry, Hard Maple, Rubberwood, White Birch



| CORE-2 | | |
|------------------|-------|--------|
| Width | Depth | Height |
| 3" | 6" | 8" |
| Carton Quantity: | | 12 |

Alder, Cherry, Hard Maple, Rubberwood, White Birch



CORAA-3

| Width | Depth | Height |
|------------------|--------|--------|
| 6-3/4" | 7-5/8" | 22" |
| Carton Quantity: | | 2 |

Alder, Hard Maple, Rubberwood



CORAA-2

| Width | Depth | Height |
|------------------|-------|--------|
| 5" | 7" | 14" |
| Carton Quantity: | | 4 |

Alder, Cherry, Hard Maple, Rubberwood



CORAA-1

| Width | Depth | Height |
|------------------|-------|--------|
| 4-1/2" | 5" | 10" |
| Carton Quantity: | | 8 |

Alder, Cherry, Hard Maple, Rubberwood, White Birch

Corbels



| CORC-3 | | |
|--|--------|--------|
| Width | Depth | Height |
| 6-3/4" | 7-5/8" | 22" |
| Carton Quantity: | | 2 |
| Alder, Cherry, Hard Maple, Oak, Rubberwood | | |



| CORC-2 | | |
|--|--------|--------|
| Width | Depth | Height |
| 5" | 6-3/4" | 14" |
| Carton Quantity: | | 4 |
| Alder, Cherry, Hard Maple, Oak, Rubberwood | | |



| CORC-1 | | |
|--|-------|--------|
| Width | Depth | Height |
| 4-1/2" | 5" | 10" |
| Carton Quantity: | | 8 |
| Alder, Cherry, Hard Maple, Oak, Rubberwood | | |



| CORMI | | |
|-------------------------------------|--------|--------|
| Width | Depth | Height |
| 3" | 1-1/2" | 4-1/4" |
| Carton Quantity: | | 50 |
| Cherry, Hard Maple, Oak, Rubberwood | | |



| CORC-5 | | |
|--|--------|--------|
| Width | Depth | Height |
| 3" | 2-1/2" | 5" |
| Inner Carton Qty: | | 10 |
| Alder, Cherry, Hard Maple, Rubberwood, White Birch | | |



| CORC-P | | |
|---------------------------------------|--------|--------|
| Width | Depth | Height |
| 2-5/8" | 2-5/8" | 7" |
| Carton Quantity: | | 50 |
| Alder, Cherry, Hard Maple, Rubberwood | | |



| CORN-5 | | |
|------------------|--------|--------|
| Width | Depth | Height |
| 8-1/2" | 5-1/2" | 22" |
| Carton Quantity: | | 2 |

Alder, Cherry, Hard Maple, Rubberwood



| CORN-6 | | |
|------------------|--------|--------|
| Width | Depth | Height |
| 7" | 3-3/4" | 22" |
| Carton Quantity: | | 4 |

Alder, Cherry, Hard Maple, Rubberwood



| CORN-4 | | |
|------------------|--------|--------|
| Width | Depth | Height |
| 5-3/8" | 3-1/2" | 14" |
| Carton Quantity: | | 10 |

Alder, Cherry, Hard Maple, Rubberwood



| CORN-4.5 | | |
|-------------------|---------|--------|
| Width | Depth | Height |
| 2" | 1-7/16" | 4" |
| Inner Carton Qty: | | 10 |

Alder, Cherry, Hard Maple, Rubberwood, White Birch



| CORN-3 | | |
|------------------|--------|--------|
| Width | Depth | Height |
| 3-7/8" | 2-1/2" | 10" |
| Carton Quantity: | | 25 |

Alder, Cherry, Hard Maple, Rubberwood



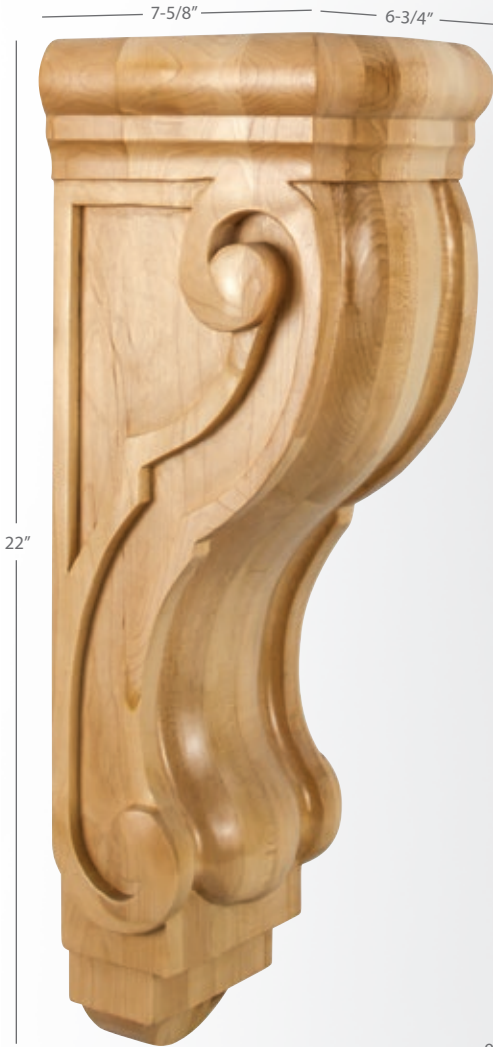
| CORN-2 | | |
|------------------|-------|--------|
| Width | Depth | Height |
| 3-1/16" | 2" | 8" |
| Carton Quantity: | | 50 |

Alder, Cherry, Hard Maple, Rubberwood



| CORN-1 | | |
|------------------|--------|--------|
| Width | Depth | Height |
| 2-5/16" | 1-1/2" | 6" |
| Carton Quantity: | | 50 |

Alder, Cherry, Hard Maple, Rubberwood



CORQ-3

| Width | Depth | Height |
|------------------|--------|--------|
| 6-3/4" | 7-5/8" | 22" |
| Carton Quantity: | | 2 |

Alder, Cherry, Hard Maple, Rubberwood



CORQ-2

| Width | Depth | Height |
|------------------|--------|--------|
| 5" | 6-3/4" | 14" |
| Carton Quantity: | | 4 |

Alder, Cherry, Hard Maple, Rubberwood



CORQ-7

| Width | Depth | Height |
|------------------|--------|--------|
| 8-1/8" | 6-1/8" | 14" |
| Carton Quantity: | | 6 |

Cherry, Hard Maple, Rubberwood



CORQ-1

| Width | Depth | Height |
|------------------|--------|--------|
| 4-1/2" | 5-3/4" | 9-3/4" |
| Carton Quantity: | | 8 |

Alder, Cherry, Hard Maple, Rubberwood



| CORQ-6 | | |
|------------------|--------|--------|
| Width | Depth | Height |
| 8-1/4" | 5-1/4" | 22" |
| Carton Quantity: | | 2 |

Cherry, Hard Maple,
Rubberwood



| CORQ-5 | | |
|------------------|---------|--------|
| Width | Depth | Height |
| 5" | 3-5/16" | 14" |
| Carton Quantity: | | 10 |

Cherry, Hard Maple,
Rubberwood



| CORQ-4 | | |
|------------------|--------|--------|
| Width | Depth | Height |
| 3-5/8" | 2-1/2" | 10" |
| Carton Quantity: | | 16 |

Cherry, Hard Maple,
Rubberwood



CORC-24

| Width | Depth | Height |
|------------------|-------|--------|
| 9-1/2" | 16" | 24" |
| Carton Quantity: | | 1 |

White Birch



CORF

| Width | Depth | Height |
|------------------|--------|--------|
| 3-3/8" | 7-3/4" | 13" |
| Carton Quantity: | | 8 |

Alder, Cherry, Hard Maple, Oak, Rubberwood, White Birch



CORF-1

| Width | Depth | Height |
|------------------|-------|--------|
| 3" | 7" | 10" |
| Carton Quantity: | | 8 |

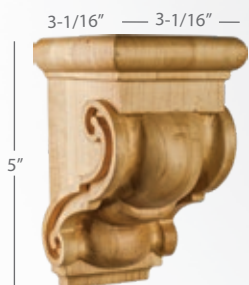
Alder, Cherry, Hard Maple, Rubberwood, White Birch



CORF-2

| Width | Depth | Height |
|------------------|-------|--------|
| 3" | 6" | 8" |
| Carton Quantity: | | 12 |

Alder, Cherry, Hard Maple, Rubberwood, White Birch



CORF-5

| Width | Depth | Height |
|-------------------|---------|--------|
| 3-1/16" | 3-1/16" | 5" |
| Inner Carton Qty: | | 10 |

Alder, Cherry, Hard Maple, Rubberwood, White Birch



COR17-3[†]

| Width | Depth | Height |
|-------|-------|--------|
| 7" | 7" | 22" |

Carton Quantity: 2

Alder, Hard Maple, Rubberwood



COR17-2

| Width | Depth | Height |
|--------|-------|--------|
| 5-1/2" | 5" | 14" |

Carton Quantity: 4

Alder, Cherry, Hard Maple, Rubberwood



COR17-1

| Width | Depth | Height |
|--------|-------|--------|
| 4-1/2" | 3" | 10" |

Carton Quantity: 10

Alder, Cherry, Hard Maple, Rubberwood





COR30-3[†]

| Width | Depth | Height |
|--------|--------|--------|
| 6-1/2" | 7-1/2" | 18" |

Carton Quantity: 2

Alder, Cherry, Hard Maple, Oak, Rubberwood



COR30-2[†]

| Width | Depth | Height |
|-------|--------|--------|
| 5" | 6-1/2" | 14" |

Carton Quantity: 4

Alder, Cherry, Hard Maple, Oak



COR30-1[†]

| Width | Depth | Height |
|-------|-------|--------|
| 4" | 5" | 10" |

Carton Quantity: 8

Alder, Cherry, Hard Maple, Oak, Rubberwood



These products are being retired.
Check availability online or call for products marked with "†".



CORY+

| Width | Depth | Height |
|------------------|-------|--------|
| 3" | 9" | 14" |
| Carton Quantity: | | 10 |

Alder, Cherry, Hard Maple



COR2-2

| Width | Depth | Height |
|------------------|--------|--------|
| 3" | 9-3/8" | 14" |
| Carton Quantity: | | 8 |

Alder, Cherry, Hard Maple, Rubberwood



COR2-1

| Width | Depth | Height |
|------------------|--------|--------|
| 3" | 6-5/8" | 10" |
| Carton Quantity: | | 8 |

Alder, Cherry, Hard Maple, Rubberwood



COR4-2

| Width | Depth | Height |
|------------------|-------|--------|
| 3" | 9" | 14" |
| Carton Quantity: | | 4 |

Alder, Cherry, Hard Maple, Rubberwood



COR4-1

| Width | Depth | Height |
|------------------|--------|--------|
| 3" | 6-1/2" | 10" |
| Carton Quantity: | | 8 |

Alder, Cherry, Hard Maple, Rubberwood





COR26-3

| Width | Depth | Height |
|-------|--------|--------|
| 4" | 9-3/4" | 16" |

Carton Quantity: 4

Alder, Cherry, Hard Maple,
Rubberwood



COR26-2

| Width | Depth | Height |
|-------|--------|--------|
| 3" | 7-3/4" | 14" |

Carton Quantity: 6

Alder, Cherry, Hard Maple,
Rubberwood



COR26-1

| Width | Depth | Height |
|-------|--------|--------|
| 3" | 5-3/4" | 12" |

Carton Quantity: 8

Alder, Cherry, Hard Maple,
Rubberwood



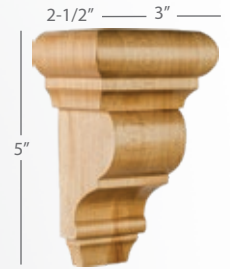
| CORG-2 | | |
|------------------|---------|--------|
| Width | Depth | Height |
| 3" | 8-5/16" | 14" |
| Carton Quantity: | | 12 |

Alder, Cherry, Hard Maple, Rubberwood, White Birch



| CORG | | |
|------------------|--------|--------|
| Width | Depth | Height |
| 3" | 6-1/2" | 12" |
| Carton Quantity: | | 12 |

Alder, Cherry, Hard Maple, Oak, Rubberwood, White Birch



| CORG-5 | | |
|-------------------|--------|--------|
| Width | Depth | Height |
| 3" | 2-1/2" | 5" |
| Inner Carton Qty: | | 10 |

Alder, Cherry, Hard Maple, Rubberwood, White Birch



| CORJ | | |
|------------------|--------|--------|
| Width | Depth | Height |
| 3" | 6-1/2" | 12" |
| Carton Quantity: | | 20 |

Alder, Cherry, Hard Maple, Oak, Rubberwood, White Birch



| CORG-3 | | |
|------------------|--------|--------|
| Width | Depth | Height |
| 3" | 6-1/2" | 10" |
| Carton Quantity: | | 8 |

Alder, Cherry, Hard Maple, Rubberwood, White Birch



| CORG-4 | | |
|------------------|--------|--------|
| Width | Depth | Height |
| 3" | 5-1/2" | 8" |
| Carton Quantity: | | 8 |

Alder, Cherry, Hard Maple, Rubberwood, White Birch



CORW-3

| Width | Depth | Height |
|--------|-------|--------|
| 3-1/2" | 10" | 16" |

Carton Quantity: 4

Alder, Cherry, Hard Maple,
Rubberwood



CORW-2

| Width | Depth | Height |
|-------|-------|--------|
| 3" | 8" | 14" |

Carton Quantity: 8

Alder, Cherry, Hard Maple,
Rubberwood

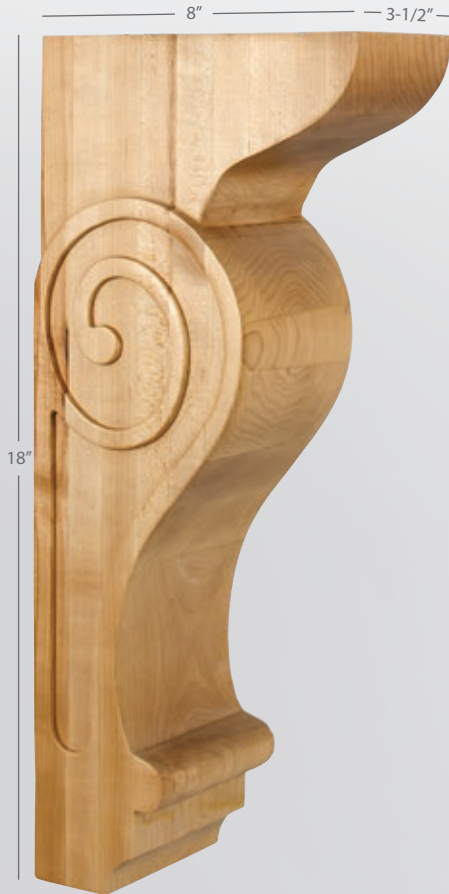


CORW-1

| Width | Depth | Height |
|--------|-------|--------|
| 2-1/2" | 6" | 12" |

Carton Quantity: 12

Alder, Cherry, Hard Maple,
Rubberwood



COR25-3[†]

| Width | Depth | Height |
|------------------|-------|--------|
| 3-1/2" | 8" | 18" |
| Carton Quantity: | | 4 |

Alder, Cherry, Hard Maple



COR25-2[†]

| Width | Depth | Height |
|------------------|-------|--------|
| 2-1/2" | 6" | 14" |
| Carton Quantity: | | 8 |

Alder, Cherry, Hard Maple



COR25-1[†]

| Width | Depth | Height |
|------------------|-------|--------|
| 1-1/2" | 5" | 10" |
| Carton Quantity: | | 20 |

Cherry, Hard Maple





COR44-3

| Width | Depth | Height |
|-------|-------|--------|
| 5" | 8" | 12" |

Carton Quantity: 4

Alder, Cherry, Hard Maple,
Rubberwood



COR44-2

| Width | Depth | Height |
|-------|-------|--------|
| 5" | 7" | 10" |

Carton Quantity: 8

Alder, Cherry, Hard Maple,
Rubberwood



COR44-1

| Width | Depth | Height |
|-------|-------|--------|
| 4" | 6" | 8" |

Carton Quantity: 12

Alder, Cherry, Hard Maple,
Rubberwood



COR22-3[†]

| Width | Depth | Height |
|------------------|-------|--------|
| 7" | 12" | 22" |
| Carton Quantity: | | 2 |

Alder, Hard Maple, Rubberwood



COR22-2

| Width | Depth | Height |
|------------------|-------|--------|
| 5" | 7" | 14" |
| Carton Quantity: | | 4 |

Alder, Cherry, Hard Maple, Rubberwood



COR22-1

| Width | Depth | Height |
|------------------|-------|--------|
| 4" | 5" | 10" |
| Carton Quantity: | | 8 |

Alder, Cherry, Hard Maple, Rubberwood



COR22-5

| Width | Depth | Height |
|-------------------|-------|--------|
| 3" | 2" | 4" |
| Inner Carton Qty: | | 10 |

Alder, Cherry, Hard Maple, Rubberwood, White Birch





COR19-3

| Width | Depth | Height |
|-------|-------|--------|
| 7" | 6" | 22" |

Carton Quantity: 2

Alder, Cherry, Hard Maple, Rubberwood



COR19-2

| Width | Depth | Height |
|-------|-------|--------|
| 6" | 5" | 14" |

Carton Quantity: 4

Alder, Cherry, Hard Maple, Rubberwood



COR19-1

| Width | Depth | Height |
|-------|-------|--------|
| 5" | 4" | 10" |

Carton Quantity: 8

Alder, Cherry, Hard Maple, Rubberwood



COR20-3[†]

| Width | Depth | Height |
|-------|-------|--------|
| 7" | 6" | 22" |

Carton Quantity: 2

Alder, Rubberwood



COR20-2

| Width | Depth | Height |
|-------|-------|--------|
| 6" | 5" | 14" |

Carton Quantity: 4

Alder, Cherry, Hard Maple, Rubberwood



COR20-1

| Width | Depth | Height |
|-------|-------|--------|
| 5" | 4" | 10" |

Carton Quantity: 8

Alder, Cherry, Hard Maple, Rubberwood



Corbels



CORO-3

| Width | Depth | Height |
|------------------|--------|--------|
| 6-3/4" | 7-3/4" | 22" |
| Carton Quantity: | | 2 |

Alder, Cherry, Hard Maple, Rubberwood



CORO-4

| Width | Depth | Height |
|------------------|-------|--------|
| 5" | 8" | 12" |
| Carton Quantity: | | 4 |

Alder, Cherry, Hard Maple, Rubberwood, White Birch



CORO-5

| Width | Depth | Height |
|------------------|-------|--------|
| 5" | 7" | 10" |
| Carton Quantity: | | 4 |

Alder, Cherry, Hard Maple, Rubberwood, White Birch



CORO-2

| Width | Depth | Height |
|------------------|-------|--------|
| 5" | 6" | 14" |
| Carton Quantity: | | 4 |

Alder, Cherry, Hard Maple, Rubberwood



CORO-6

| Width | Depth | Height |
|-------------------|-------|--------|
| 3" | 2" | 4" |
| Inner Carton Qty: | | 10 |

Alder, Cherry, Hard Maple, Rubberwood, White Birch



CORH-1

| Width | Depth | Height |
|------------------|-------|--------|
| 3" | 12" | 12" |
| Carton Quantity: | | 4 |

Alder, Cherry, Hard Maple, Rubberwood, White Birch



CORH

| Width | Depth | Height |
|------------------|-------|--------|
| 2-15/16" | 6" | 14" |
| Carton Quantity: | | 8 |

Alder, Cherry, Hard Maple, Oak, Rubberwood



CORH-2

| Width | Depth | Height |
|------------------|-------|--------|
| 3" | 6" | 8" |
| Carton Quantity: | | 4 |

Alder, Cherry, Hard Maple, Rubberwood, White Birch

Corbels



| COR16-A | | |
|-------------------------------|-------|--------|
| Width | Depth | Height |
| 2" | 6" | 8" |
| Carton Quantity: | | 8 |
| <i>Hard Maple, Rubberwood</i> | | |



| COR16-B | | |
|-------------------------------|-------|--------|
| Width | Depth | Height |
| 2" | 6" | 8" |
| Carton Quantity: | | 8 |
| <i>Hard Maple, Rubberwood</i> | | |



| COR16-C ⁺ | | |
|-------------------------------|-------|--------|
| Width | Depth | Height |
| 2" | 6" | 8" |
| Carton Quantity: | | 8 |
| <i>Hard Maple, Rubberwood</i> | | |



| COR16-D ⁺ | | |
|-------------------------------|-------|--------|
| Width | Depth | Height |
| 2" | 6" | 8" |
| Carton Quantity: | | 8 |
| <i>Hard Maple, Rubberwood</i> | | |



| CORX-1 | | |
|--|-------|--------|
| Width | Depth | Height |
| 4-3/8" | 5" | 10" |
| Carton Quantity: | | 8 |
| <i>Cherry, Hard Maple, Rubberwood, White Birch</i> | | |



| CORV | | |
|--------------------------------------|--------|---------|
| Width | Depth | Height |
| 1-7/8" | 7-1/2" | 10-1/2" |
| Carton Quantity: | | 20 |
| <i>Alder, Hard Maple, Rubberwood</i> | | |



These products are being retired.
Check availability online or call for products marked with "+".



COR46-3

| Width | Depth | Height |
|------------------|-------|--------|
| 1-3/4" | 9" | 12" |
| Carton Quantity: | | 8 |

Alder, Cherry, Hard Maple, Rubberwood, White Birch



COR46-4

| Width | Depth | Height |
|------------------|-------|----------|
| 1-3/4" | 10" | 10-1/16" |
| Carton Quantity: | | 8 |

Alder, Cherry, Hard Maple, Rubberwood, White Birch



COR46-2

| Width | Depth | Height |
|------------------|-------|--------|
| 1-3/4" | 7" | 10" |
| Carton Quantity: | | 12 |

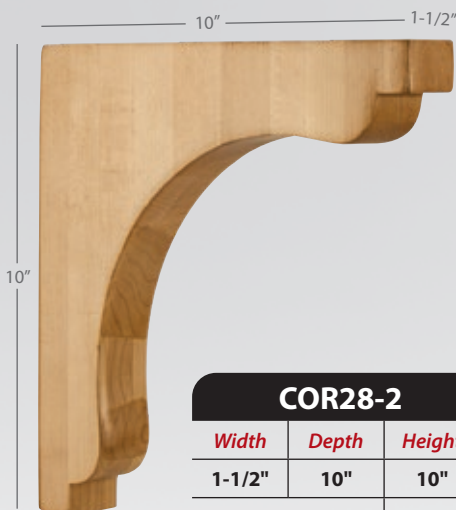
Alder, Cherry, Hard Maple, Rubberwood, White Birch



COR46

| Width | Depth | Height |
|------------------|-------|--------|
| 1-3/4" | 6" | 8" |
| Carton Quantity: | | 8 |

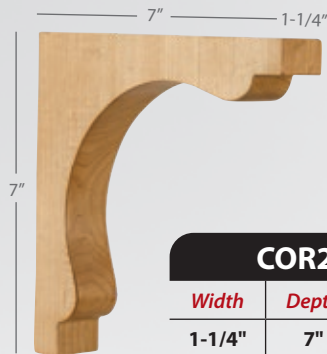
Alder, Cherry, Hard Maple, Rubberwood, White Birch



COR28-2

| Width | Depth | Height |
|------------------|-------|--------|
| 1-1/2" | 10" | 10" |
| Carton Quantity: | | 28 |

Alder, Cherry, Hard Maple, Oak, Rubberwood



COR28-1

| Width | Depth | Height |
|------------------|-------|--------|
| 1-1/4" | 7" | 7" |
| Carton Quantity: | | 56 |

Alder, Cherry, Hard Maple, Oak, Rubberwood

Corbels



| CORSM-3 | | |
|--|---------|---------|
| Width | Depth | Height |
| 1-3/4" | 10-1/2" | 13-1/8" |
| Carton Quantity: | | 10 |
| <i>Alder, Cherry, Hard Maple, Rubberwood</i> | | |



| CORSM-2 | | |
|--|--------|--------|
| Width | Depth | Height |
| 1-3/4" | 8-1/2" | 11" |
| Carton Quantity: | | 16 |
| <i>Alder, Cherry, Hard Maple, Rubberwood</i> | | |



| CORSM-1 | | |
|--|--------|--------|
| Width | Depth | Height |
| 1-3/4" | 7-1/2" | 9-1/2" |
| Carton Quantity: | | 20 |
| <i>Alder, Cherry, Hard Maple, Rubberwood</i> | | |



| CORSQ-3 | | |
|--|--------|--------|
| Width | Depth | Height |
| 1-3/4" | 8-1/2" | 11" |
| Carton Quantity: | | 16 |
| <i>Alder, Cherry, Hard Maple, Rubberwood</i> | | |



| CORSQ-2 | | |
|--|--------|--------|
| Width | Depth | Height |
| 1-3/4" | 7-1/2" | 9-1/2" |
| Carton Quantity: | | 20 |
| <i>Alder, Cherry, Hard Maple, Rubberwood</i> | | |



| CORSQ-1 | | |
|--|-------|--------|
| Width | Depth | Height |
| 1-3/4" | 5" | 7" |
| Carton Quantity: | | 30 |
| <i>Alder, Cherry, Hard Maple, Rubberwood</i> | | |



COR9-4

| Width | Depth | Height |
|------------------|-------|--------|
| 5-15/16" | 18" | 16" |
| Carton Quantity: | | 2 |

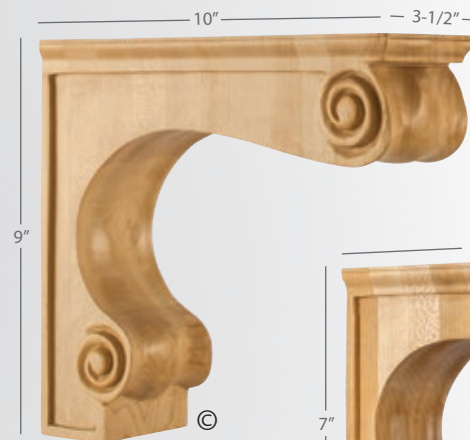
Hard Maple, Rubberwood



COR9-3

| Width | Depth | Height |
|------------------|-------|---------|
| 4-5/8" | 14" | 12-1/2" |
| Carton Quantity: | | 4 |

Hard Maple, Rubberwood



COR9-2

| Width | Depth | Height |
|------------------|-------|--------|
| 3-1/2" | 10" | 9" |
| Carton Quantity: | | 8 |

Hard Maple, Rubberwood



COR9-1

| Width | Depth | Height |
|------------------|-------|--------|
| 2-11/16" | 8" | 7" |
| Carton Quantity: | | 8 |

Hard Maple, Rubberwood

Corbels



COR18-3[†]

| Width | Depth | Height |
|-------|-------|--------|
| 6" | 7" | 22" |

Carton Quantity: 2
Alder, Rubberwood



COR18-2[†]

| Width | Depth | Height |
|-------|-------|--------|
| 5" | 6" | 14" |

Carton Quantity: 4
Alder, Hard Maple



COR18-1[†]

| Width | Depth | Height |
|-------|-------|--------|
| 4" | 5" | 10" |

Carton Quantity: 8
Alder, Rubberwood



These products are being retired.
Check availability online or call for products marked with "†".



COR21-3[†]

| Width | Depth | Height |
|------------------|-------|--------|
| 7" | 6" | 22" |
| Carton Quantity: | | 4 |

Alder, Rubberwood



COR21-2[†]

| Width | Depth | Height |
|------------------|-------|--------|
| 5" | 5" | 14" |
| Carton Quantity: | | 4 |

Cherry, Hard Maple, Rubberwood



COR21-1[†]

| Width | Depth | Height |
|------------------|-------|--------|
| 4" | 4" | 10" |
| Carton Quantity: | | 8 |

Alder, Hard Maple, Rubberwood





CORU-3[†]

| Width | Depth | Height |
|------------------|-------|--------|
| 7" | 6" | 22" |
| Carton Quantity: | | 2 |

Alder, Hard Maple,
Rubberwood



CORU-2[†]

| Width | Depth | Height |
|------------------|-------|--------|
| 5" | 5" | 14" |
| Carton Quantity: | | 4 |

Hard Maple, Rubberwood



CORU-1[†]

| Width | Depth | Height |
|------------------|-------|--------|
| 4" | 4" | 10" |
| Carton Quantity: | | 8 |

Alder, Cherry, Hard Maple,
Rubberwood



These products are being retired.
Check availability online or call for products marked with "†".



COR32-3

| Width | Depth | Height |
|-------|-------|--------|
| 5" | 18" | 18" |

Carton Quantity: 2

Alder, Hard Maple, Rubberwood



COR32-2

| Width | Depth | Height |
|-------|-------|--------|
| 5" | 7" | 14" |

Carton Quantity: 4

Alder, Hard Maple, Rubberwood



COR32-1

| Width | Depth | Height |
|-------|-------|--------|
| 5" | 5" | 9" |

Carton Quantity: 8

Alder, Hard Maple, Rubberwood



COR33-3

| Width | Depth | Height |
|-------|-------|--------|
| 5" | 9" | 12" |

Carton Quantity: 4

Alder, Cherry, Hard Maple,
Rubberwood



COR33-2

| Width | Depth | Height |
|-------|-------|--------|
| 5" | 6" | 10" |

Carton Quantity: 4

Alder, Cherry, Hard Maple,
Rubberwood



COR33-1

| Width | Depth | Height |
|-------|-------|--------|
| 5" | 6" | 8" |

Carton Quantity: 8

Alder, Cherry, Hard Maple,
Rubberwood



| CORZ-3 | | |
|------------------|-------|--------|
| Width | Depth | Height |
| 3" | 6" | 18" |
| Carton Quantity: | | 12 |

Alder, Cherry, Hard Maple, Rubberwood, White Birch



| CORZ-1 | | |
|------------------|-------|--------|
| Width | Depth | Height |
| 3" | 10" | 14" |
| Carton Quantity: | | 16 |

Alder, Cherry, Hard Maple, Rubberwood, White Birch



| CORZ-5 | | |
|------------------|-------|--------|
| Width | Depth | Height |
| 1-3/4" | 8" | 11" |
| Carton Quantity: | | 8 |

Alder, Cherry, Hard Maple, Rubberwood, White Birch



| CORZ-2 | | |
|------------------|-------|--------|
| Width | Depth | Height |
| 3" | 8" | 9" |
| Carton Quantity: | | 8 |

Alder, Cherry, Hard Maple, Rubberwood, White Birch



| CORZ-4 | | |
|-------------------|--------|--------|
| Width | Depth | Height |
| 3" | 2-1/2" | 4" |
| Inner Carton Qty: | | 10 |

Alder, Cherry, Hard Maple, Rubberwood, White Birch



COR40[†]

| Width | Depth | Height |
|------------------|-------|--------|
| 2" | 8" | 22" |
| Carton Quantity: | | 8 |

Alder, Cherry, Hard Maple,
Rubberwood



COR40-2[†]

| Width | Depth | Height |
|------------------|-------|--------|
| 2" | 8" | 18" |
| Carton Quantity: | | 8 |

Alder, Cherry



COR40-1[†]

| Width | Depth | Height |
|------------------|-------|--------|
| 2" | 8" | 14" |
| Carton Quantity: | | 10 |

Alder, Cherry, Hard Maple,
Rubberwood



These products are being retired.
Check availability online or call for products marked with "†".



| CORM-2 | | |
|------------------|-------|--------|
| Width | Depth | Height |
| 2" | 9" | 14" |
| Carton Quantity: | | 8 |

Alder, Cherry, Hard Maple, Rubberwood, White Birch



| CORM-1 | | |
|------------------|-------|--------|
| Width | Depth | Height |
| 2" | 8" | 12" |
| Carton Quantity: | | 8 |

Alder, Cherry, Hard Maple, Rubberwood, White Birch



| CORM | | |
|------------------|--------|---------|
| Width | Depth | Height |
| 2" | 7-1/2" | 10-1/2" |
| Carton Quantity: | | 8 |

Alder, Hard Maple, Rubberwood, White Birch



| CORM-3 | | |
|------------------|--------|---------|
| Width | Depth | Height |
| 3" | 7-5/8" | 10-1/2" |
| Carton Quantity: | | 16 |

Alder, Hard Maple, Rubberwood, White Birch

Corbels



COR8-2

| Width | Depth | Height |
|------------------|-------|--------|
| 2-1/2" | 12" | 12" |
| Carton Quantity: | | 20 |

*Alder, Hard Maple,
Rubberwood, White Birch*



COR8-1

| Width | Depth | Height |
|------------------|-------|--------|
| 2-1/2" | 8" | 8" |
| Carton Quantity: | | 20 |

*Cherry, Rubberwood,
White Birch*



COR8-6

| Width | Depth | Height |
|------------------|-------|--------|
| 2-1/2" | 6" | 8" |
| Carton Quantity: | | 20 |

Rubberwood, White Birch



COR8-6.5

| Width | Depth | Height |
|------------------|-------|--------|
| 2-1/2" | 6" | 6" |
| Carton Quantity: | | 20 |

Rubberwood, White Birch



| COR38-3 | | |
|--|-------|--------|
| Width | Depth | Height |
| 3" | 8" | 14" |
| Carton Quantity: | | 12 |
| <i>Alder, Cherry, Hard Maple, Rubberwood</i> | | |



| COR38 | | |
|--|--------|--------|
| Width | Depth | Height |
| 3" | 6-1/2" | 12" |
| Carton Quantity: | | 12 |
| <i>Alder, Cherry, Hard Maple, Rubberwood</i> | | |



| COR38-2 | | |
|--|--------|--------|
| Width | Depth | Height |
| 3" | 6-1/2" | 10" |
| Carton Quantity: | | 8 |
| <i>Alder, Cherry, Hard Maple, Rubberwood</i> | | |



| COR38-1 | | |
|--|--------|--------|
| Width | Depth | Height |
| 3" | 6-1/2" | 8" |
| Carton Quantity: | | 12 |
| <i>Alder, Cherry, Hard Maple, Rubberwood</i> | | |



| COR39-3 | | |
|---------------------------------------|-------|--------|
| Width | Depth | Height |
| 3" | 8" | 14" |
| Carton Quantity: | | 12 |
| Alder, Cherry, Hard Maple, Rubberwood | | |



| COR39 | | |
|---------------------------------------|--------|--------|
| Width | Depth | Height |
| 3" | 6-1/2" | 12" |
| Carton Quantity: | | 12 |
| Alder, Cherry, Hard Maple, Rubberwood | | |



| COR39-2 | | |
|---------------------------------------|--------|--------|
| Width | Depth | Height |
| 3" | 6-1/2" | 10" |
| Carton Quantity: | | 8 |
| Alder, Cherry, Hard Maple, Rubberwood | | |



| COR39-1 | | |
|---------------------------------------|--------|--------|
| Width | Depth | Height |
| 3" | 6-1/2" | 8" |
| Carton Quantity: | | 12 |
| Alder, Cherry, Hard Maple, Rubberwood | | |



COR-T-S

| Width | Depth | Height |
|--------|-------|-----------|
| 3-1/2" | 8" | 11-13/16" |

Carton Quantity: 8

Alder, Cherry, Hard Maple,
Rubberwood



COR-T-P

| Width | Depth | Height |
|--------|-------|-----------|
| 3-1/2" | 8" | 11-13/16" |

Carton Quantity: 8

Alder, Cherry, Hard Maple,
Rubberwood



COR-T-F

| Width | Depth | Height |
|--------|-------|-----------|
| 3-1/2" | 8" | 11-13/16" |

Carton Quantity: 8

Alder, Cherry, Hard Maple,
Rubberwood

Corbels



COR42-3[†]

| Width | Depth | Height |
|------------------|-------|--------|
| 5" | 8" | 12" |
| Carton Quantity: | | 4 |

Alder, Cherry, Hard Maple, Rubberwood



COR42-2[†]

| Width | Depth | Height |
|------------------|-------|--------|
| 5" | 7" | 10" |
| Carton Quantity: | | 8 |

Alder, Cherry, Hard Maple, Rubberwood



COR42-1[†]

| Width | Depth | Height |
|------------------|-------|--------|
| 4" | 6" | 8" |
| Carton Quantity: | | 12 |

Alder, Cherry, Hard Maple



COR43-3[†]

| Width | Depth | Height |
|------------------|-------|--------|
| 5" | 8" | 12" |
| Carton Quantity: | | 4 |

Alder, Cherry, Hard Maple, Rubberwood



COR43-2[†]

| Width | Depth | Height |
|------------------|-------|--------|
| 5" | 7" | 10" |
| Carton Quantity: | | 8 |

Alder, Cherry, Hard Maple, Rubberwood



COR43-1[†]

| Width | Depth | Height |
|------------------|-------|--------|
| 4" | 6" | 8" |
| Carton Quantity: | | 12 |

Alder, Cherry, Hard Maple, Rubberwood



These products are being retired. Check availability online or call for products marked with "†".



COR23-3

| Width | Depth | Height |
|-------|-------|--------|
| 7" | 7" | 22" |

Carton Quantity: 2

Alder, Hard Maple,
Rubberwood



COR23-2

| Width | Depth | Height |
|-------|-------|--------|
| 6" | 4" | 14" |

Carton Quantity: 4

Alder, Cherry, Hard Maple,
Rubberwood



COR23-1

| Width | Depth | Height |
|-------|-------|--------|
| 5" | 3" | 10" |

Carton Quantity: 8

Alder, Cherry, Hard Maple,
Rubberwood



COR24-3[†]

| Width | Depth | Height |
|------------------|-------|--------|
| 7" | 9" | 21" |
| Carton Quantity: | | 2 |

Alder, Cherry, Rubberwood



COR24-2[†]

| Width | Depth | Height |
|------------------|-------|--------|
| 5" | 7" | 14" |
| Carton Quantity: | | 4 |

Cherry, Hard Maple,
Rubberwood



COR24-1[†]

| Width | Depth | Height |
|------------------|-------|--------|
| 4" | 5" | 10" |
| Carton Quantity: | | 8 |

Hard Maple, Rubberwood



These products are being retired.
Check availability online or call for products marked with "†".



COR15-3[†]

| Width | Depth | Height |
|------------------|--------|--------|
| 6-3/4" | 7-3/4" | 22" |
| Carton Quantity: | | 2 |

Cherry, Hard Maple, Rubberwood



COR15-2[†]

| Width | Depth | Height |
|------------------|-------|--------|
| 5" | 6" | 14" |
| Carton Quantity: | | 4 |

Alder, Cherry, Hard Maple, Rubberwood



COR15-1[†]

| Width | Depth | Height |
|------------------|-------|--------|
| 5" | 4" | 10" |
| Carton Quantity: | | 8 |

Alder, Hard Maple, Rubberwood





COR7-3[†]

| Width | Depth | Height |
|------------------|-------|--------|
| 2-1/2" | 9" | 14" |
| Carton Quantity: | | 4 |

Alder, Cherry, Hard Maple



COR7-2[†]

| Width | Depth | Height |
|------------------|--------|--------|
| 2-1/2" | 6-1/2" | 10" |
| Carton Quantity: | | 8 |

Alder, Cherry, Hard Maple



COR7-1[†]

| Width | Depth | Height |
|------------------|--------|--------|
| 2-1/2" | 5-1/4" | 8" |
| Carton Quantity: | | 8 |

Alder, Cherry, Hard Maple



These products are being retired.
Check availability online or call for products marked with "†".



COR5-5[†]

| Width | Depth | Height |
|---------------------------|---------|--------|
| 2" | 16-7/8" | 22" |
| Carton Quantity: | | 4 |
| Alder, Cherry, Rubberwood | | |

COR5-4

| Width | Depth | Height |
|---------------------------------------|-----------|--------|
| 2" | 10-11/16" | 14" |
| Carton Quantity: | | 4 |
| Alder, Cherry, Hard Maple, Rubberwood | | |

COR5-3

| Width | Depth | Height |
|---------------------------------------|--------|--------|
| 2" | 7-5/8" | 10" |
| Carton Quantity: | | 8 |
| Alder, Cherry, Hard Maple, Rubberwood | | |

COR5-2

| Width | Depth | Height |
|---------------------------------------|-------|--------|
| 2" | 6" | 8" |
| Carton Quantity: | | 8 |
| Alder, Cherry, Hard Maple, Rubberwood | | |

COR5-1

| Width | Depth | Height |
|---------------------------------------|--------|--------|
| 2" | 4-5/8" | 6" |
| Carton Quantity: | | 16 |
| Alder, Cherry, Hard Maple, Rubberwood | | |





COR6-3

| Width | Depth | Height |
|-------|----------|--------|
| 3" | 11-5/16" | 14" |

Carton Quantity: 4

Alder, Cherry, Hard Maple, Rubberwood



COR6-2

| Width | Depth | Height |
|-------|-------|--------|
| 3" | 8" | 10" |

Carton Quantity: 8

Alder, Cherry, Hard Maple, Rubberwood



COR6-1

| Width | Depth | Height |
|-------|--------|--------|
| 3" | 6-3/8" | 8" |

Carton Quantity: 8

Alder, Cherry, Hard Maple, Rubberwood



COR3-3[†]

| Width | Depth | Height |
|--------|-------|---------|
| 6-1/2" | 11" | 15-3/4" |

Carton Quantity: 4

Cherry, Hard Maple, Rubberwood

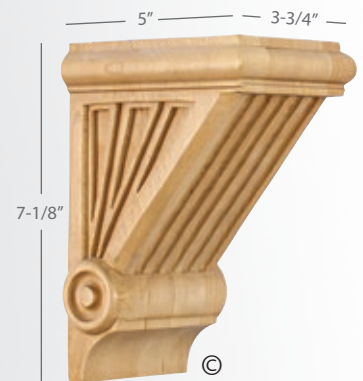


COR3-2[†]

| Width | Depth | Height |
|--------|-------|--------|
| 5-1/4" | 7" | 10" |

Carton Quantity: 8

Alder, Cherry, Hard Maple, Rubberwood



COR3-1[†]

| Width | Depth | Height |
|--------|-------|--------|
| 3-3/4" | 5" | 7-1/8" |

Carton Quantity: 8

Alder, Hard Maple



Corbels



COR14-3[†]

| Width | Depth | Height |
|--------|--------|--------|
| 6-3/4" | 7-3/4" | 22" |

Carton Quantity: 2

Rubberwood



COR14-2[†]

| Width | Depth | Height |
|-------|-------|--------|
| 5" | 6" | 14" |

Carton Quantity: 4

Alder, Cherry, Hard Maple, Rubberwood




COR14-1[†]

| Width | Depth | Height |
|-------|-------|--------|
| 4" | 5" | 10" |

Carton Quantity: 8

Alder, Cherry, Hard Maple, Rubberwood

 These products are being retired. Check availability online or call for products marked with "†".



COR31-3[†]

| Width | Depth | Height |
|------------------|-------|--------|
| 5" | 9" | 14" |
| Carton Quantity: | | 2 |

Alder, Hard Maple, Rubberwood



COR31-2[†]

| Width | Depth | Height |
|------------------|-------|--------|
| 5" | 7" | 10" |
| Carton Quantity: | | 4 |

Alder, Hard Maple, Rubberwood



COR31-1[†]

| Width | Depth | Height |
|------------------|-------|--------|
| 5" | 6" | 8" |
| Carton Quantity: | | 8 |

Alder, Hard Maple, Rubberwood



COR41-1

| Width | Depth | Height |
|------------------|-------|--------|
| 4" | 6" | 8" |
| Carton Quantity: | | 4 |

Alder, Cherry, Hard Maple



COR41-2

| Width | Depth | Height |
|------------------|-------|--------|
| 5" | 7" | 10" |
| Carton Quantity: | | 8 |

Alder, Cherry, Hard Maple



COR41-3

| Width | Depth | Height |
|------------------|-------|--------|
| 5" | 8" | 12" |
| Carton Quantity: | | 4 |

Alder, Cherry, Hard Maple



Corbels



| COR47-3 | | |
|------------------|---------|--------|
| Width | Depth | Height |
| 5" | 8-1/16" | 12" |
| Carton Quantity: | | 4 |

Alder, Cherry, Hard Maple, Rubberwood, White Birch



| COR47-2 | | |
|------------------|-------|--------|
| Width | Depth | Height |
| 4" | 7" | 10" |
| Carton Quantity: | | 8 |

Alder, Cherry, Hard Maple, Rubberwood, White Birch



| COR47-1 | | |
|------------------|-------|--------|
| Width | Depth | Height |
| 3" | 6" | 8" |
| Carton Quantity: | | 12 |

Alder, Cherry, Hard Maple, Rubberwood, White Birch



| COR36-1 | | |
|------------------|-------|--------|
| Width | Depth | Height |
| 4" | 6" | 8" |
| Carton Quantity: | | 12 |

Alder, Cherry, Hard Maple, Oak, Rubberwood



| COR36-2 | | |
|------------------|-------|--------|
| Width | Depth | Height |
| 5" | 7" | 10" |
| Carton Quantity: | | 8 |

Alder, Cherry, Hard Maple, Oak, Rubberwood



| COR36-3 | | |
|------------------|-------|--------|
| Width | Depth | Height |
| 5" | 8" | 12" |
| Carton Quantity: | | 4 |

Alder, Cherry, Hard Maple, Oak, Rubberwood



| COR35-3 [†] | | | |
|----------------------|-------|--------|---|
| Width | Depth | Height | |
| 5" | 8" | 12" | |
| Carton Quantity: | | | 4 |

Alder, Cherry, Hard Maple, Rubberwood



| COR35-2 [†] | | | |
|----------------------|-------|--------|---|
| Width | Depth | Height | |
| 5" | 7" | 10" | |
| Carton Quantity: | | | 8 |

Alder, Cherry, Hard Maple, Rubberwood



| COR35-1 [†] | | | |
|----------------------|-------|--------|----|
| Width | Depth | Height | |
| 4" | 6" | 8" | |
| Carton Quantity: | | | 12 |

Alder, Cherry, Hard Maple, Rubberwood



| COR37-1 [†] | | | |
|----------------------|-------|--------|----|
| Width | Depth | Height | |
| 4" | 6" | 8" | |
| Carton Quantity: | | | 12 |

Alder, Cherry, Hard Maple, Rubberwood



| COR37-2 [†] | | | |
|----------------------|-------|--------|---|
| Width | Depth | Height | |
| 5" | 7" | 10" | |
| Carton Quantity: | | | 8 |

Alder, Cherry, Hard Maple, Rubberwood



| COR37-3 [†] | | | |
|----------------------|-------|--------|---|
| Width | Depth | Height | |
| 5" | 8" | 12" | |
| Carton Quantity: | | | 4 |

Alder, Cherry, Hard Maple, Rubberwood



Corbels



| COR34-3 [†] | | |
|----------------------|-------|--------|
| Width | Depth | Height |
| 5" | 8" | 12" |
| Carton Quantity: | | 4 |

Alder, Cherry, Hard Maple, Rubberwood



| COR34-2 [†] | | |
|----------------------|-------|--------|
| Width | Depth | Height |
| 5" | 7" | 10" |
| Carton Quantity: | | 8 |

Alder, Cherry, Hard Maple, Rubberwood



| COR34-1 [†] | | |
|----------------------|-------|--------|
| Width | Depth | Height |
| 4" | 6" | 8" |
| Carton Quantity: | | 12 |

Alder, Cherry, Hard Maple, Rubberwood



| COR45-1 [†] | | |
|----------------------|-------|--------|
| Width | Depth | Height |
| 4" | 6" | 8" |
| Carton Quantity: | | 12 |

Alder, Cherry, Hard Maple, Rubberwood



| COR45-2 [†] | | |
|----------------------|-------|--------|
| Width | Depth | Height |
| 5" | 7" | 10" |
| Carton Quantity: | | 8 |

Alder, Cherry, Hard Maple, Rubberwood



| COR45-3 [†] | | |
|----------------------|-------|--------|
| Width | Depth | Height |
| 5" | 8" | 12" |
| Carton Quantity: | | 4 |

Alder, Cherry, Hard Maple, Rubberwood



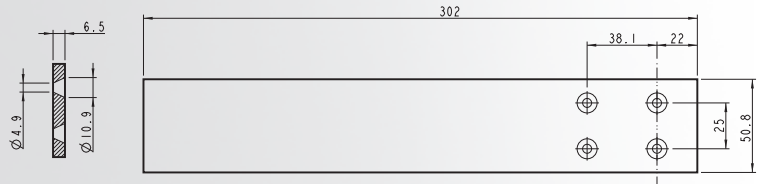
These products are being retired. Check availability online or call for products marked with "†".



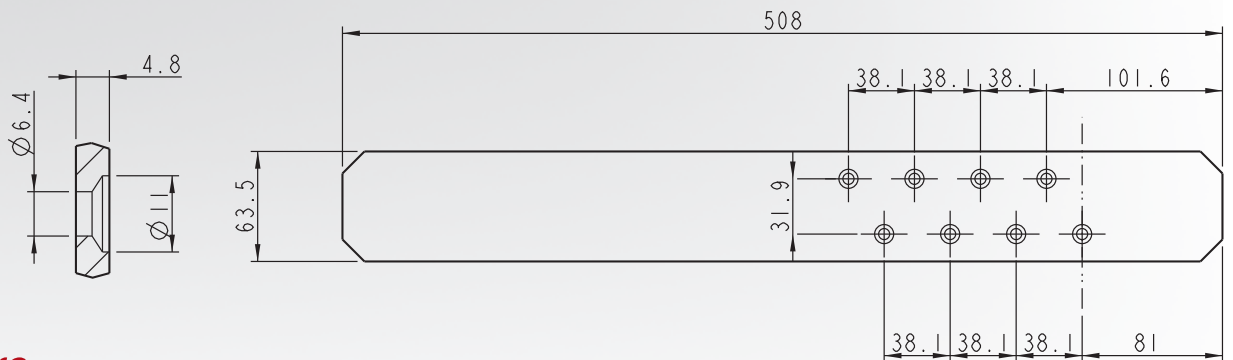
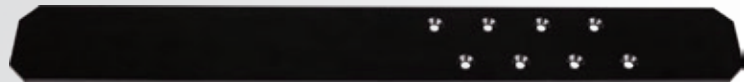
Create a floating countertop or bar top with concealed support brackets.

- Support brackets are mounted under the countertop for a clean, modern look
- Can be used to support the weight of the countertop in lieu of corbels and posts
- Attach directly to the knee wall for optimal support
- Available in two sizes: 12" and 20"

CTOPSUP12



CTOPSUP20



L-Shaped Countertop Support Brackets

Hardware Resources is proud to present our next iteration of countertop support!

NEW



Our newest countertop support bracket is L-shaped to provide extra support when mounted over the knee wall. Uniquely designed with holes on both sides, the L-support bracket provides the user options for the most optimal installation results.

CTOPSUP10-L

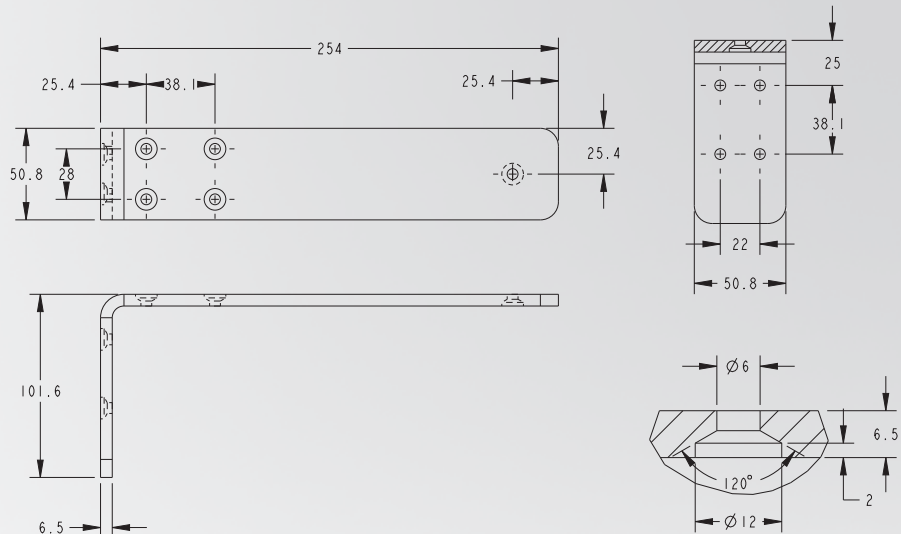


Horizontal Dimensions:

10" x 2" x 1/4"

Vertical Dimensions:

4" x 2" x 1/4"





| MCOR2-DBAC [†] | | |
|-------------------------|------------------------------|--------|
| Width | Depth | Height |
| 1-1/2" | 10" | 13" |
| Carton Quantity: | | 5 |
| Finish | Distressed Oil Rubbed Bronze | |
| screws included | | |



| MCOR2-BLK [†] | | |
|------------------------|-------|--------|
| Width | Depth | Height |
| 1-1/2" | 10" | 13" |
| Carton Quantity: | | 5 |
| Finish | Black | |
| screws included | | |



| MCOR3-BLK [†] | | |
|------------------------|-------|--------|
| Width | Depth | Height |
| 1-1/2" | 10" | 13" |
| Carton Quantity: | | 5 |
| Finish | Black | |
| screws included | | |



| MCOR5-DBAC [†] | | |
|-------------------------|------------------------------|---------|
| Width | Depth | Height |
| 1-7/8" | 10" | 13-1/2" |
| Carton Quantity: | | 5 |
| Finish | Distressed Oil Rubbed Bronze | |
| screws included | | |



| MCOR5-BLK [†] | | |
|------------------------|-------|---------|
| Width | Depth | Height |
| 1-7/8" | 10" | 13-1/2" |
| Carton Quantity: | | 5 |
| Finish | Black | |
| screws included | | |



| MCOR9-DBAC [†] | | |
|-------------------------|------------------------------|---------|
| Width | Depth | Height |
| 1-7/8" | 10" | 13-1/2" |
| Carton Quantity: | | 5 |
| Finish | Distressed Oil Rubbed Bronze | |
| screws included | | |



| MCOR10-DBAC [†] | | |
|--------------------------|------------------------------|---------|
| Width | Depth | Height |
| 1-7/8" | 10" | 13-1/2" |
| Carton Quantity: | | 5 |
| Finish | Distressed Oil Rubbed Bronze | |
| screws included | | |



| MCOR10-SIM [†] | | |
|-------------------------|---------------------------|---------|
| Width | Depth | Height |
| 1-7/8" | 10" | 13-1/2" |
| Carton Quantity: | | 5 |
| Finish | Distressed Antique Silver | |
| screws included | | |



Fireplace Corbels



FCORB

| Width | Depth | Height |
|-------|-------|--------|
| 8" | 8" | 36" |

Carton Quantity: 1

Alder, Cherry, Hard Maple, Rubberwood



FCORQ

| Width | Depth | Height |
|-------|-------|--------|
| 8" | 8" | 36" |

Carton Quantity: 1

Alder, Cherry, Hard Maple, Rubberwood

Fireplace Corbels

Wood
Products



©

FCOR5

| Width | Depth | Height |
|-------|-------|--------|
| 8" | 8" | 36" |

Carton Quantity: 1

Alder, Cherry, Hard Maple,
Rubberwood



©

FCOR6⁺

| Width | Depth | Height |
|-------|-------|--------|
| 8" | 8" | 36" |

Carton Quantity: 1

Alder, Hard Maple,
Rubberwood



Fireplace Corbels



FCORE

| Width | Depth | Height |
|-------|--------|--------|
| 8" | 6-1/2" | 36" |

Carton Quantity: 1

Alder, Cherry, Hard Maple, Rubberwood



FCOR4⁺

| Width | Depth | Height |
|-------|-------|--------|
| 6" | 8" | 36" |

Carton Quantity: 1

Alder, Hard Maple, Rubberwood



These products are being retired.
Check availability online or call for products marked with " + ".



FCORV

| Width | Depth | Height |
|-------|-------|--------|
| 8" | 7" | 36" |

Carton Quantity: 1

Alder, Cherry, Hard Maple,
Rubberwood



FCOR21

| Width | Depth | Height |
|-------|-------|--------|
| 8" | 6" | 36" |

Carton Quantity: 1

Alder, Cherry, Hard Maple,
Rubberwood

Capitals



CAP4

| Width | Depth | Height |
|-------|--------|--------|
| 8" | 1-3/4" | 8" |

Carton Quantity: 20

Alder, Cherry, Hard Maple, Rubberwood



CAP3

| Width | Depth | Height |
|-------|--------|--------|
| 6" | 1-1/4" | 6" |

Carton Quantity: 50

Alder, Cherry, Hard Maple, Oak, Rubberwood



CAP2

| Width | Depth | Height |
|--------|--------|--------|
| 4-3/4" | 1-1/4" | 4-3/4" |

Carton Quantity: 50

Alder, Cherry, Hard Maple, Oak, Rubberwood



CAP1

| Width | Depth | Height |
|--------|-------|--------|
| 3-7/8" | 1" | 3-1/2" |

Carton Quantity: 50

Cherry, Hard Maple, Rubberwood



CAP5

| Width | Depth | Height |
|------------------|--------|--------|
| 4-3/8" | 2-1/8" | 4-3/4" |
| Carton Quantity: | | 50 |

Cherry, Hard Maple, Rubberwood



CAP6-250

| Width | Depth | Height |
|------------------|---------|--------|
| 4-7/16" | 2-3/16" | 5-7/8" |
| Carton Quantity: | | 100 |

Alder, Cherry, Hard Maple, Oak, Rubberwood



CAP6-2

| Width | Depth | Height |
|------------------|--------|----------|
| 3-7/16" | 1-3/4" | 4-13/16" |
| Carton Quantity: | | 100 |

Alder, Cherry, Hard Maple, Oak, Rubberwood

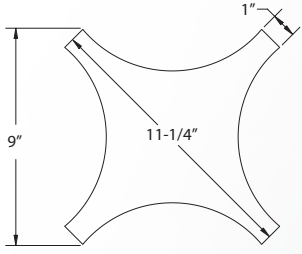


CAP6-150

| Width | Depth | Height |
|------------------|---------|--------|
| 2-5/8" | 1-5/16" | 3-5/8" |
| Carton Quantity: | | 100 |

Alder, Cherry, Hard Maple, Oak, Rubberwood

Capitals



| FC1 | | |
|------------------|-------|--------|
| Width | Depth | Height |
| 9" | 9" | 7" |
| Carton Quantity: | | 2 |

Alder, Cherry, Hard Maple, Rubberwood



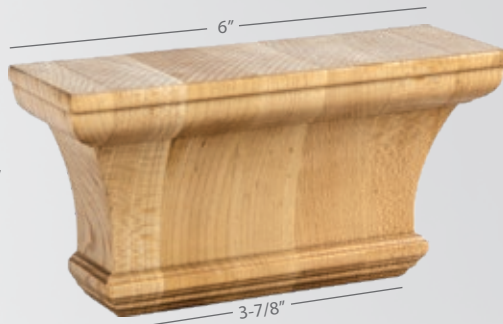
| FPB1 | | |
|------------------|-------|---------|
| Width | Depth | Height |
| 5-1/16" | 5" | 7-1/16" |
| Carton Quantity: | | 8 |

Alder, Cherry, Hard Maple, Rubberwood



| PC-2 | | |
|------------------|-------|--------|
| Width | Depth | Height |
| 6" | 2" | 3" |
| Carton Quantity: | | 50 |

Cherry, Hard Maple, Rubberwood



| PC-1 | | |
|------------------|--------|--------|
| Width | Depth | Height |
| 6" | 1-7/8" | 3" |
| Carton Quantity: | | 50 |

Cherry, Hard Maple, Rubberwood



| PC-3 | | |
|------------------|-------|--------|
| Width | Depth | Height |
| 6" | 2" | 3" |
| Carton Quantity: | | 50 |

Cherry, Hard Maple, Rubberwood



| FP1 | | |
|------------------|-------|--------|
| Width | Depth | Height |
| 5" | 5" | 35" |
| Carton Quantity: | | 2 |

Alder, Cherry, Hard Maple, Rubberwood



MRH-1-72

| Width | Depth | Height |
|-------|---------|----------|
| 73" | 30-1/2" | 9-13/16" |

Carton Quantity: 1

Hard Maple



AP001

| Width | Depth | Height |
|-------|--------|--------|
| 40" | 1-1/2" | 5" |

Carton Quantity: 5

Rubberwood, White Birch



ONL-01-20

| Width | Depth | Height |
|-------|-------|--------|
| 20" | 3/4" | 4" |

Carton Quantity: 10

Cherry, Hard Maple, Oak, Rubberwood

ONL-01-24

| Width | Depth | Height |
|-------|-------|--------|
| 24" | 3/4" | 5" |

Carton Quantity: 10

Cherry, Hard Maple, Oak, Rubberwood

ONL-01-36

| Width | Depth | Height |
|-------|-------|--------|
| 36" | 1" | 7-3/4" |

Carton Quantity: 10

Cherry, Hard Maple, Rubberwood

Onlays & Appliqués

APL-02-20

| Width | Depth | Height |
|------------------|-------|--------|
| 20" | 1/4" | 5-1/2" |
| Carton Quantity: | | 50 |

Cherry, Hard Maple



PONL-02-20

| Width | Depth | Height |
|------------------|-------|--------|
| 20-1/8" | 5/16" | 5-3/8" |
| Carton Quantity: | | 50 |

Embossed Rubberwood



ONL-02-16

| Width | Depth | Height |
|------------------|-------|--------|
| 15-1/4" | 1/2" | 3-1/4" |
| Carton Quantity: | | 50 |

Cherry, Hard Maple,
Rubberwood



ONL-02-20

| Width | Depth | Height |
|------------------|-------|--------|
| 20" | 3/4" | 4" |
| Carton Quantity: | | 10 |

Alder, Cherry, Hard Maple, Oak,
Rubberwood

ONL-02-24

| Width | Depth | Height |
|------------------|-------|--------|
| 24" | 3/4" | 5" |
| Carton Quantity: | | 10 |

Alder, Cherry, Hard Maple, Oak,
Rubberwood

ONL-02-36

| Width | Depth | Height |
|------------------|-------|--------|
| 36-7/16" | 1" | 7-1/2" |
| Carton Quantity: | | 10 |

Alder, Cherry, Hard Maple,
Rubberwood

APL-04-20

| Width | Depth | Height |
|------------------|-------|--------|
| 20" | 1/4" | 4-1/2" |
| Carton Quantity: | | 50 |

Cherry, Hard Maple



PONL-04-20

| Width | Depth | Height |
|------------------|-------|--------|
| 20-1/4" | 5/16" | 4-1/2" |
| Carton Quantity: | | 50 |

Embossed Rubberwood



ONL-08-20

| Width | Depth | Height |
|------------------|-------|---------|
| 20" | 7/8" | 4-3/16" |
| Carton Quantity: | | 10 |

Alder, Cherry, Hard Maple,
Rubberwood

ONL-08-24

| Width | Depth | Height |
|------------------|-------|---------|
| 24" | 7/8" | 5-3/16" |
| Carton Quantity: | | 10 |

Alder, Cherry, Hard Maple,
Rubberwood

ONL-08-36

| Width | Depth | Height |
|------------------|-------|--------|
| 36-7/16" | 7/8" | 7-1/2" |
| Carton Quantity: | | 10 |

Alder, Cherry, Hard Maple,
Rubberwood

PONL-08-20

| Width | Depth | Height |
|------------------|-------|---------|
| 20" | 5/16" | 4-3/16" |
| Carton Quantity: | | 25 |

Embossed Rubberwood

Onlays & Appliqués



©

ONL-09-20

| Width | Depth | Height |
|-----------|-------|--------|
| 19-15/16" | 3/4" | 3-5/8" |

Carton Quantity: 10

Alder, Cherry, Hard Maple, Rubberwood

ONL-09-24

| Width | Depth | Height |
|-------|-------|--------|
| 24" | 3/4" | 4-3/8" |

Carton Quantity: 10

Alder, Cherry, Hard Maple, Rubberwood



ONL-10-20

| Width | Depth | Height |
|-------|-------|--------|
| 20" | 1" | 4-1/8" |

Carton Quantity: 10

Alder, Cherry, Hard Maple, Rubberwood, White Birch

ONL-10-24

| Width | Depth | Height |
|-------|--------|--------|
| 24" | 1-1/8" | 5" |

Carton Quantity: 10

Alder, Cherry, Hard Maple, Rubberwood, White Birch

ONL-10-36

| Width | Depth | Height |
|-------|--------|--------|
| 36" | 1-1/4" | 7-1/2" |

Carton Quantity: 10

Alder, Cherry, Hard Maple, Rubberwood, White Birch

ONL-04-20

| Width | Depth | Height |
|-------|-------|--------|
| 20" | 3/4" | 5-3/4" |

Carton Quantity: 10

Cherry, Hard Maple, Rubberwood

ONL-04-24

| Width | Depth | Height |
|-------|-------|--------|
| 24" | 7/8" | 6-7/8" |

Carton Quantity: 10

Cherry, Hard Maple, Rubberwood



©

ONL-07-20

| <i>Width</i> | <i>Depth</i> | <i>Height</i> |
|------------------|--------------|---------------|
| 20" | 3/4" | 5-5/8" |
| Carton Quantity: | | 10 |

Cherry, Hard Maple,
Rubberwood



MONL-01BLK†

| <i>Width</i> | <i>Depth</i> | <i>Height</i> |
|------------------|--------------|---------------|
| 25" | 1/2" | 5-3/8" |
| Carton Quantity: | | 5 |
| Finish | Black | |

screws included



MONL-01DBAC†

| <i>Width</i> | <i>Depth</i> | <i>Height</i> |
|------------------|---------------------------------|---------------|
| 25" | 1/2" | 5-3/8" |
| Carton Quantity: | | 5 |
| Finish | Distressed Oil Rubbed Bronze | |

screws included



Onlays & Appliqués



ONL-06-L

| Width | Depth | Height |
|------------------|-------|--------|
| 10" | 3/4" | 3-1/2" |
| Carton Quantity: | | 30 |

*Cherry, Hard Maple,
Rubberwood*



ONL-06-R

| Width | Depth | Height |
|------------------|-------|--------|
| 10" | 3/4" | 3-1/2" |
| Carton Quantity: | | 30 |

*Cherry, Hard Maple,
Rubberwood*



APL-05-L

| Width | Depth | Height |
|------------------|-------|--------|
| 10-3/8" | 1/4" | 3-1/4" |
| Carton Quantity: | | 50 |

Cherry, Hard Maple



APL-05-R

| Width | Depth | Height |
|------------------|-------|--------|
| 10-3/8" | 1/4" | 3-1/4" |
| Carton Quantity: | | 50 |

Cherry, Hard Maple



PAPL-05-L

| Width | Depth | Height |
|------------------|-------|--------|
| 10-1/2" | 5/16" | 3-1/4" |
| Carton Quantity: | | 50 |

Embossed Rubberwood



PAPL-05-R

| Width | Depth | Height |
|------------------|-------|--------|
| 10-1/2" | 5/16" | 3-1/4" |
| Carton Quantity: | | 50 |

Embossed Rubberwood



APL-11-L

| Width | Depth | Height |
|------------------|-------|--------|
| 10-5/8" | 1/4" | 4" |
| Carton Quantity: | | 50 |

Cherry, Hard Maple



APL-11-R

| Width | Depth | Height |
|------------------|-------|--------|
| 10-5/8" | 1/4" | 4" |
| Carton Quantity: | | 50 |

Cherry, Hard Maple



PAPL-11-L

| Width | Depth | Height |
|------------------|-------|--------|
| 10-5/8" | 5/16" | 4-3/8" |
| Carton Quantity: | | 50 |

Embossed Rubberwood



PAPL-11-R

| Width | Depth | Height |
|------------------|-------|--------|
| 10-5/8" | 5/16" | 4-3/8" |
| Carton Quantity: | | 50 |

Embossed Rubberwood



APL-10-L

| Width | Depth | Height |
|------------------|-------|--------|
| 12-1/4" | 1/4" | 3" |
| Carton Quantity: | | 50 |

Cherry, Hard Maple



APL-10-R

| Width | Depth | Height |
|------------------|-------|--------|
| 12-1/4" | 1/4" | 3" |
| Carton Quantity: | | 50 |

Cherry, Hard Maple



PAPL-10-L

| Width | Depth | Height |
|------------------|-------|--------|
| 12-1/4" | 5/16" | 3" |
| Carton Quantity: | | 50 |

Embossed Rubberwood



PAPL-10-R

| Width | Depth | Height |
|------------------|-------|--------|
| 12-1/4" | 5/16" | 3" |
| Carton Quantity: | | 50 |

Embossed Rubberwood

Onlays & Appliqués



APL-06

PAPT-06

APL-07

PAPT-07

| Width | Depth | Height |
|------------------|-------|--------|
| 2-1/2" | 1/2" | 2-3/4" |
| Carton Quantity: | | 100 |

| Width | Depth | Height |
|------------------|-------|--------|
| 2-1/2" | 5/16" | 2-3/4" |
| Carton Quantity: | | 50 |

| Width | Depth | Height |
|------------------|-------|--------|
| 3-1/8" | 1/2" | 2-7/8" |
| Carton Quantity: | | 100 |

| Width | Depth | Height |
|------------------|-------|--------|
| 3-1/4" | 5-16" | 3" |
| Carton Quantity: | | 50 |

Cherry, Hard Maple

Embossed Rubberwood

Cherry, Hard Maple

Embossed Rubberwood



APL-08

PAPT-08

APL-09

PAPT-09

| Width | Depth | Height |
|------------------|-------|--------|
| 3-1/4" | 5/8" | 4-3/8" |
| Carton Quantity: | | 100 |

| Width | Depth | Height |
|------------------|-------|--------|
| 3-1/4" | 5/16" | 4-3/8" |
| Carton Quantity: | | 50 |

| Width | Depth | Height |
|------------------|-------|--------|
| 3-1/4" | 3/4" | 3-3/4" |
| Carton Quantity: | | 100 |

| Width | Depth | Height |
|------------------|-------|--------|
| 3-1/4" | 5/16" | 3-3/4" |
| Carton Quantity: | | 50 |

Cherry, Hard Maple

Embossed Rubberwood

Cherry, Hard Maple

Embossed Rubberwood



APL-13

PAPT-13

| Width | Depth | Height |
|------------------|-------|--------|
| 3-5/8" | 3/4" | 4-1/4" |
| Carton Quantity: | | 100 |

| Width | Depth | Height |
|------------------|-------|--------|
| 3-5/8" | 5/16" | 4-1/4" |
| Carton Quantity: | | 50 |

Cherry, Hard Maple

Embossed Rubberwood



| APL-14 | | |
|------------------|-------|--------|
| Width | Depth | Height |
| 3-3/4" | 1/2" | 4-1/8" |
| Carton Quantity: | | 100 |

Alder, Cherry, Hard Maple



| APL-14-5 | | |
|------------------|-------|--------|
| Width | Depth | Height |
| 4-5/8" | 1/2" | 5" |
| Carton Quantity: | | 100 |

Alder, Cherry, Hard Maple,
Rubberwood



| PAPL-14 | | |
|------------------|-------|--------|
| Width | Depth | Height |
| 3-3/4" | 5/16" | 4-1/4" |
| Carton Quantity: | | 50 |

Embossed Rubberwood



| APL-12-L | | |
|------------------|-------|--------|
| Width | Depth | Height |
| 3-3/4" | 3/8" | 4-1/2" |
| Carton Quantity: | | 150 |

Cherry, Hard Maple



| APL-12-R | | |
|------------------|-------|--------|
| Width | Depth | Height |
| 3-3/4" | 3/8" | 4-1/2" |
| Carton Quantity: | | 150 |

Cherry, Hard Maple



| PAPL-12-L | | |
|------------------|-------|--------|
| Width | Depth | Height |
| 3-3/4" | 5/16" | 4-1/2" |
| Carton Quantity: | | 150 |

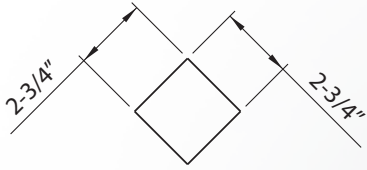
Embossed Rubberwood



| PAPL-12-R | | |
|------------------|-------|--------|
| Width | Depth | Height |
| 3-3/4" | 5/16" | 4-1/2" |
| Carton Quantity: | | 150 |

Embossed Rubberwood

Corner Posts



| CP-1 | | |
|------------------|--------|---------|
| Width | Depth | Height |
| 2-3/4" | 2-3/4" | 35-1/2" |
| Carton Quantity: | | 6 |

Alder, Cherry, Hard Maple, Oak, Rubberwood

| CP-1-42 | | |
|------------------|--------|--------|
| Width | Depth | Height |
| 2-3/4" | 2-3/4" | 42" |
| Carton Quantity: | | 4 |

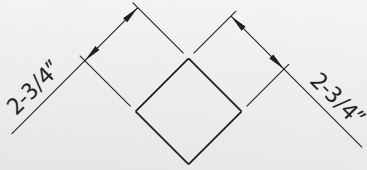
Alder, Cherry, Hard Maple, Oak, Rubberwood

| CP-1-84 | | |
|------------------|--------|--------|
| Width | Depth | Height |
| 2-3/4" | 2-3/4" | 84" |
| Carton Quantity: | | 4 |

Alder, Cherry, Hard Maple

| CP-1-96 | | |
|------------------|--------|--------|
| Width | Depth | Height |
| 2-3/4" | 2-3/4" | 96" |
| Carton Quantity: | | 4 |

Alder, Cherry, Hard Maple



| CP-2 | | |
|------------------|--------|---------|
| Width | Depth | Height |
| 2-3/4" | 2-3/4" | 35-1/2" |
| Carton Quantity: | | 6 |

Alder, Cherry, Hard Maple, Oak, Rubberwood

| CP-2-42 | | |
|------------------|--------|--------|
| Width | Depth | Height |
| 2-3/4" | 2-3/4" | 42" |
| Carton Quantity: | | 4 |

Cherry, Hard Maple, Rubberwood

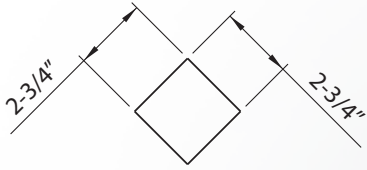
| CP-2-84 | | |
|------------------|--------|--------|
| Width | Depth | Height |
| 2-3/4" | 2-3/4" | 84" |
| Carton Quantity: | | 4 |

Cherry, Hard Maple

| CP-2-96 | | |
|------------------|--------|--------|
| Width | Depth | Height |
| 2-3/4" | 2-3/4" | 96" |
| Carton Quantity: | | 4 |

Cherry, Hard Maple

Corner Posts



| CP-3 | | |
|------------------|--------|---------|
| Width | Depth | Height |
| 2-3/4" | 2-3/4" | 35-1/2" |
| Carton Quantity: | | 6 |

Alder, Cherry, Hard Maple, Oak, Rubberwood

| CP-3-42 | | |
|------------------|--------|--------|
| Width | Depth | Height |
| 2-3/4" | 2-3/4" | 42" |
| Carton Quantity: | | 4 |

Cherry, Hard Maple, Oak, Rubberwood

| CP-3-84 | | |
|------------------|--------|--------|
| Width | Depth | Height |
| 2-3/4" | 2-3/4" | 84" |
| Carton Quantity: | | 4 |

Cherry, Hard Maple

| CP-3-96 | | |
|------------------|--------|--------|
| Width | Depth | Height |
| 2-3/4" | 2-3/4" | 96" |
| Carton Quantity: | | 4 |

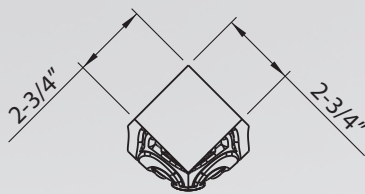
Cherry, Hard Maple

Corner Legs

Wood
Products



35-1/4"

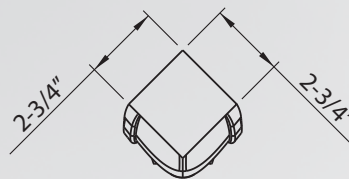


| CL-1 | | |
|------------------|--------|---------|
| Width | Depth | Height |
| 2-3/4" | 2-3/4" | 35-1/4" |
| Carton Quantity: | | 4 |

Alder, Cherry, Hard Maple,
Rubberwood



35-1/4"

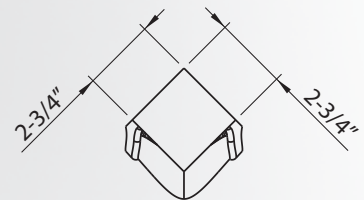


| CL-3 | | |
|------------------|--------|---------|
| Width | Depth | Height |
| 2-3/4" | 2-3/4" | 35-1/4" |
| Carton Quantity: | | 4 |

Alder, Cherry, Hard Maple,
Rubberwood



35-1/4"



| CL-2 | | |
|------------------|--------|---------|
| Width | Depth | Height |
| 2-3/4" | 2-3/4" | 35-1/4" |
| Carton Quantity: | | 4 |

Alder, Cherry, Hard Maple,
Rubberwood

Corner Legs



| LEGB-1 | | |
|------------------------|--------|--------|
| Width | Depth | Height |
| 2-1/2" | 2-1/2" | 31" |
| Carton Quantity: | | 4 |
| Hard Maple, Rubberwood | | |

| LEGB-2 | | |
|------------------------|--------|---------|
| Width | Depth | Height |
| 2-1/2" | 2-1/2" | 35-1/2" |
| Carton Quantity: | | 4 |
| Hard Maple, Rubberwood | | |

| LEGC-1 | | |
|------------------------|--------|--------|
| Width | Depth | Height |
| 5" | 2-1/2" | 31" |
| Carton Quantity: | | 4 |
| Hard Maple, Rubberwood | | |

| LEGC-2 | | |
|------------------------|--------|---------|
| Width | Depth | Height |
| 5" | 2-1/2" | 35-1/2" |
| Carton Quantity: | | 4 |
| Hard Maple, Rubberwood | | |



| LEGA-1 ⁺ | | |
|---------------------|--------|--------|
| Width | Depth | Height |
| 2-1/2" | 2-1/2" | 31" |
| Carton Quantity: | | 4 |
| Rubberwood | | |



| LEGA-2 | | |
|------------------------|--------|---------|
| Width | Depth | Height |
| 2-1/2" | 2-1/2" | 35-1/2" |
| Carton Quantity: | | 4 |
| Hard Maple, Rubberwood | | |



| LEGD-1 | | |
|------------------------|--------|--------|
| Width | Depth | Height |
| 2-3/4" | 2-3/4" | 31" |
| Carton Quantity: | | 4 |
| Hard Maple, Rubberwood | | |



| LEGD-2 | | |
|------------------------|--------|---------|
| Width | Depth | Height |
| 3-1/2" | 3-1/2" | 35-1/2" |
| Carton Quantity: | | 4 |
| Hard Maple, Rubberwood | | |



Post Sleeves



POSL-3[†]

| Width | Depth | Height |
|------------------|--------|--------|
| 5-1/8" | 5-1/8" | 9-3/4" |
| Carton Quantity: | | 6 |

Alder, Cherry, Hard Maple,
Rubberwood, White Birch



POSL-5[†]

| Width | Depth | Height |
|------------------|--------|--------|
| 6-5/8" | 6-5/8" | 9-3/4" |
| Carton Quantity: | | 4 |

Alder, Cherry, Hard Maple,
Rubberwood, White Birch



POSL-6[†]

| Width | Depth | Height |
|------------------|--------|--------|
| 7-5/8" | 7-5/8" | 9-3/4" |
| Carton Quantity: | | 4 |

Alder, Cherry, Hard Maple,
Rubberwood, White Birch



POSLB-3[†]

| Width | Depth | Height |
|------------------|--------|--------|
| 6-3/8" | 6-3/8" | 9-3/4" |
| Carton Quantity: | | 6 |

Alder, Cherry, Hard Maple,
Rubberwood, White Birch



POSLB-5[†]

| Width | Depth | Height |
|------------------|--------|--------|
| 7-7/8" | 7-7/8" | 9-3/4" |
| Carton Quantity: | | 4 |

Alder, Cherry, Hard Maple,
Rubberwood, White Birch



POSLB-6[†]

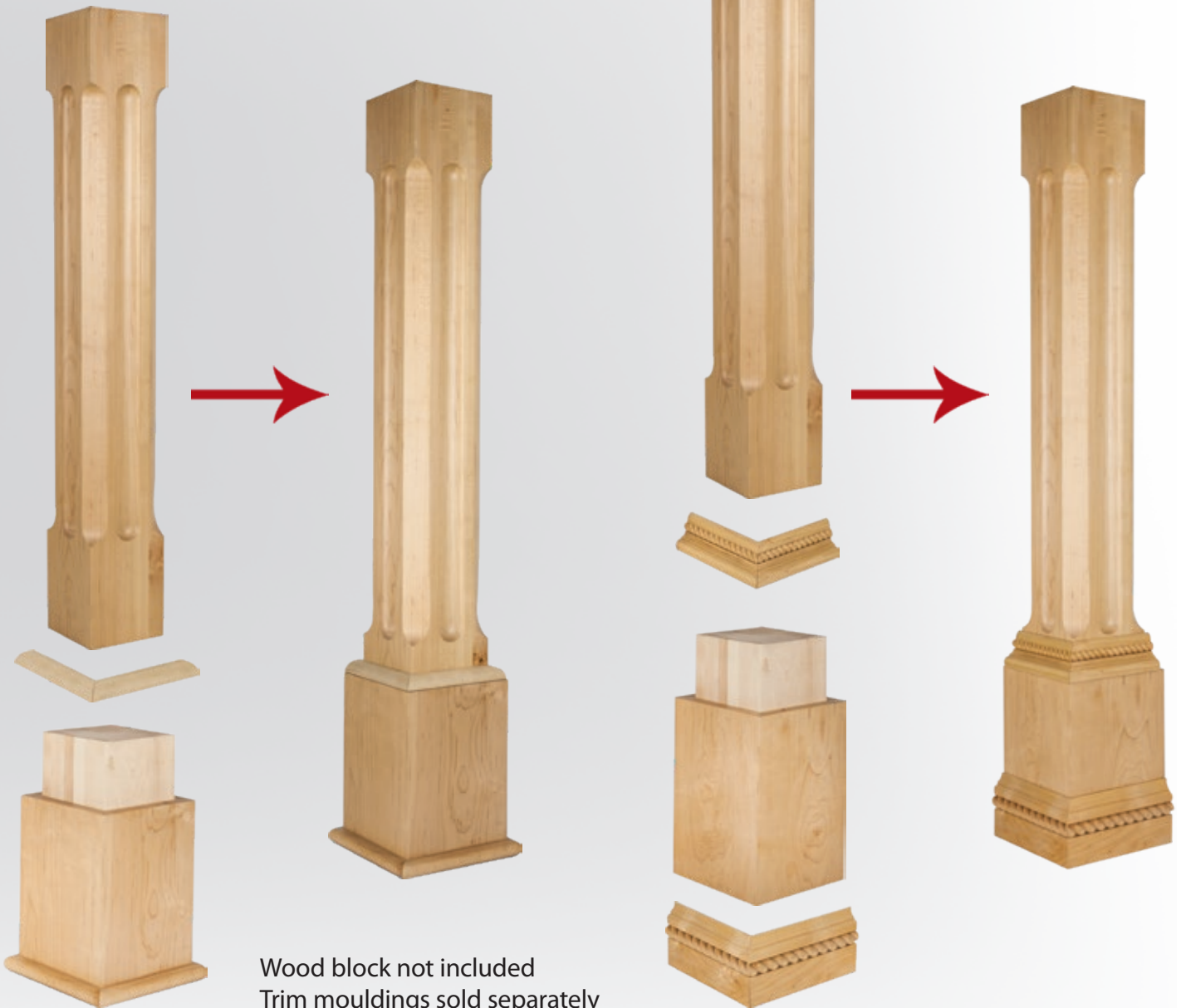
| Width | Depth | Height |
|------------------|--------|--------|
| 8-7/8" | 8-7/8" | 9-3/4" |
| Carton Quantity: | | 4 |

Alder, Cherry, Hard Maple,
Rubberwood, White Birch



These products are being retired.
Check availability online or call for products marked with "†".

Post
+ Post sleeve
+ Wood block
+ Trim moulding
**ENDLESS
POSSIBILITIES**



Posts



P13-5-42 & P13-35 Shown

[450]

800.463.0660 | www.HardwareResources.com

hardware
resources[®]



P81

| Width | Depth | Height |
|------------------|--------|---------|
| 3-1/2" | 3-1/2" | 35-1/2" |
| Carton Quantity: | | 4 |

Alder, Cherry, Hard Maple, Rubberwood, White Birch

P81-5

| Width | Depth | Height |
|------------------|-------|---------|
| 5" | 5" | 35-1/2" |
| Carton Quantity: | | 2 |

Alder, Cherry, Hard Maple, Rubberwood, White Birch

P81-5-42

| Width | Depth | Height |
|------------------|-------|--------|
| 5" | 5" | 42" |
| Carton Quantity: | | 2 |

Alder, Cherry, Hard Maple, Rubberwood, White Birch

P81-6

| Width | Depth | Height |
|------------------|-------|---------|
| 6" | 6" | 35-1/2" |
| Carton Quantity: | | 1 |

Alder, Cherry, Hard Maple, Rubberwood, White Birch

P81-6-42

| Width | Depth | Height |
|------------------|-------|--------|
| 6" | 6" | 42" |
| Carton Quantity: | | 1 |

Alder, Cherry, Hard Maple, Rubberwood, White Birch

Posts

| P1S (split) | | |
|-------------|--------|---------|
| Width | Depth | Height |
| 3-1/2" | 1-3/4" | 35-1/2" |



| P1-3 | | |
|------------------|-------|---------|
| Width | Depth | Height |
| 3" | 3" | 35-1/2" |
| Carton Quantity: | | 4 |

Alder, Cherry, Hard Maple, Rubberwood

| P1 | | |
|------------------|--------|---------|
| Width | Depth | Height |
| 3-1/2" | 3-1/2" | 35-1/2" |
| Carton Quantity: | | 4 |

Alder, Cherry, Hard Maple, Oak, Rubberwood, White Birch

| P1-3-42 | | |
|------------------|-------|--------|
| Width | Depth | Height |
| 3" | 3" | 42" |
| Carton Quantity: | | 4 |

Rubberwood

| P1-42 | | |
|------------------|--------|--------|
| Width | Depth | Height |
| 3-1/2" | 3-1/2" | 42" |
| Carton Quantity: | | 4 |

Alder, Cherry, Hard Maple, Rubberwood



P1-5-36

| Width | Depth | Height |
|-------|-------|---------|
| 5" | 5" | 35-1/2" |

Carton Quantity: 2

Alder, Cherry, Hard Maple, Rubberwood, White Birch

P1-5-42

| Width | Depth | Height |
|-------|-------|--------|
| 5" | 5" | 42" |

Carton Quantity: 2

Alder, Cherry, Hard Maple, Rubberwood, White Birch

P1-6

| Width | Depth | Height |
|-------|-------|---------|
| 6" | 6" | 35-1/2" |

Carton Quantity: 1

Alder, Cherry, Hard Maple, Rubberwood, White Birch

P1-6-42

| Width | Depth | Height |
|-------|-------|--------|
| 6" | 6" | 42" |

Carton Quantity: 1

Alder, Cherry, Hard Maple, Rubberwood, White Birch

Posts



P23-3.5

| Width | Depth | Height |
|------------------|--------|---------|
| 3-1/2" | 3-1/2" | 35-1/2" |
| Carton Quantity: | | 4 |

Alder, Cherry, Hard Maple, Rubberwood, White Birch

P23

| Width | Depth | Height |
|------------------|-------|---------|
| 4" | 4" | 35-1/2" |
| Carton Quantity: | | 4 |

Alder, Cherry, Hard Maple, Rubberwood

P23-5

| Width | Depth | Height |
|------------------|-------|---------|
| 5" | 5" | 35-1/2" |
| Carton Quantity: | | 2 |

Alder, Cherry, Hard Maple, Rubberwood, White Birch

P23-5-42

| Width | Depth | Height |
|------------------|-------|--------|
| 5" | 5" | 42" |
| Carton Quantity: | | 2 |

Alder, Cherry, Hard Maple, Rubberwood, White Birch



P29-3.5

| Width | Depth | Height |
|------------------|--------|---------|
| 3-1/2" | 3-1/2" | 35-1/2" |
| Carton Quantity: | | 4 |

Alder, Cherry, Hard Maple, Rubberwood, White Birch

P28

| Width | Depth | Height |
|------------------|--------|---------|
| 3-3/4" | 3-3/4" | 35-1/2" |
| Carton Quantity: | | 4 |

Alder, Cherry, Hard Maple, Rubberwood

P28-42

| Width | Depth | Height |
|------------------|--------|--------|
| 3-3/4" | 3-3/4" | 42" |
| Carton Quantity: | | 4 |

Alder, Cherry, Hard Maple, Rubberwood

P29

| Width | Depth | Height |
|------------------|-------|---------|
| 5" | 5" | 35-1/2" |
| Carton Quantity: | | 2 |

Alder, Cherry, Hard Maple, Rubberwood

P29-42

| Width | Depth | Height |
|------------------|-------|--------|
| 5" | 5" | 42" |
| Carton Quantity: | | 2 |

Alder, Cherry, Hard Maple, Rubberwood



P4

| Width | Depth | Height |
|------------------|--------|---------|
| 3-3/4" | 3-3/4" | 35-1/2" |
| Carton Quantity: | | 4 |

Alder, Hard Maple,
Rubberwood

P4-2

| Width | Depth | Height |
|------------------|--------|---------|
| 3-3/4" | 3-3/4" | 35-1/2" |
| Carton Quantity: | | 4 |

Alder, Hard Maple,
Rubberwood

P6

| Width | Depth | Height |
|------------------|--------|---------|
| 3-3/4" | 3-3/4" | 35-1/2" |
| Carton Quantity: | | 4 |

Alder, Cherry, Hard Maple,
Rubberwood



35-1/2"



35-1/2"



35-1/2"

P26-1

| Width | Depth | Height |
|------------------|-------|---------|
| 3" | 3" | 35-1/2" |
| Carton Quantity: | | 6 |

Rubberwood, White Birch

P26-2

| Width | Depth | Height |
|------------------|-------|---------|
| 6" | 6" | 35-1/2" |
| Carton Quantity: | | 1 |

Rubberwood, White Birch

P26-3

| Width | Depth | Height |
|------------------|-------|---------|
| 8" | 8" | 35-1/2" |
| Carton Quantity: | | 1 |

Rubberwood, White Birch



| P11 ⁺ | | |
|------------------|--------|---------|
| Width | Depth | Height |
| 5-3/4" | 5-3/4" | 35-1/2" |
| Carton Quantity: | | 2 |

Rubberwood



| P15 | | |
|------------------|--------|---------|
| Width | Depth | Height |
| 4-1/2" | 4-1/2" | 35-1/2" |
| Carton Quantity: | | 4 |

Alder, Hard Maple,
Rubberwood



| P16 | | |
|------------------|--------|---------|
| Width | Depth | Height |
| 4-1/2" | 4-1/2" | 35-1/2" |
| Carton Quantity: | | 4 |

Hard Maple, Rubberwood



These products are being retired.
Check availability online or call for products marked with " + ".



P14-3.5

| Width | Depth | Height |
|------------------|--------|---------|
| 3-1/2" | 3-1/2" | 35-1/2" |
| Carton Quantity: | | 4 |

Alder, Cherry, Hard Maple, Rubberwood, White Birch

P14

| Width | Depth | Height |
|------------------|--------|---------|
| 4-1/2" | 4-1/2" | 35-1/2" |
| Carton Quantity: | | 4 |

Alder, Hard Maple, Rubberwood

P19

| Width | Depth | Height |
|------------------|--------|---------|
| 4-1/2" | 4-1/2" | 35-1/2" |
| Carton Quantity: | | 4 |

Hard Maple, Rubberwood

P22

| Width | Depth | Height |
|------------------|--------|---------|
| 3-1/2" | 3-1/2" | 35-1/2" |
| Carton Quantity: | | 4 |

Cherry, Hard Maple, Oak, Rubberwood



P2-3

| Width | Depth | Height |
|-------|-------|---------|
| 3" | 3" | 35-1/2" |

Carton Quantity: 4

Alder, Hard Maple, Rubberwood



P2-3-42

| Width | Depth | Height |
|-------|-------|--------|
| 3" | 3" | 42" |

Carton Quantity: 4

Rubberwood

P2S (split)

| Width | Depth | Height |
|--------|--------|---------|
| 3-1/2" | 1-3/4" | 35-1/2" |

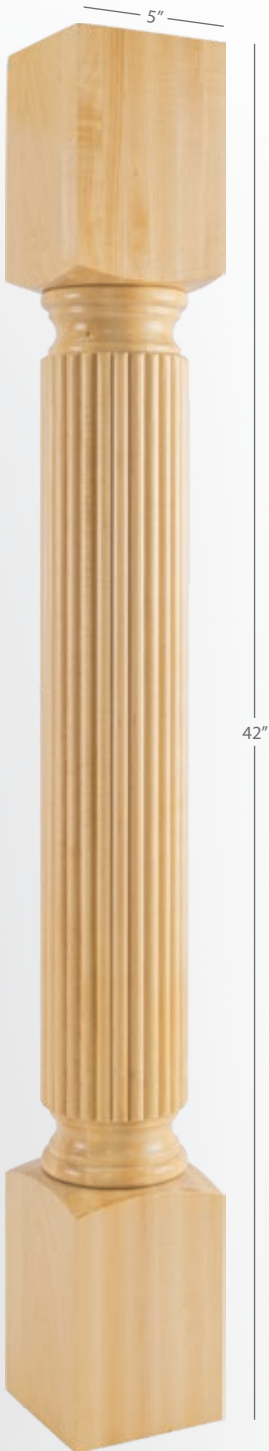


P2

| Width | Depth | Height |
|--------|--------|---------|
| 3-1/2" | 3-1/2" | 35-1/2" |

Carton Quantity: 4

Alder, Cherry, Hard Maple, Oak, Rubberwood



P2-42

| Width | Depth | Height |
|------------------|--------|--------|
| 3-1/2" | 3-1/2" | 42" |
| Carton Quantity: | | 4 |

Alder, Cherry, Hard Maple, Rubberwood

P20

| Width | Depth | Height |
|------------------|-------|---------|
| 5" | 5" | 35-1/2" |
| Carton Quantity: | | 2 |

Alder, Cherry, Hard Maple, Rubberwood, White Birch

P20-5-42

| Width | Depth | Height |
|------------------|-------|--------|
| 5" | 5" | 42" |
| Carton Quantity: | | 2 |

Alder, Cherry, Hard Maple, Rubberwood, White Birch

Posts

P3S (split)

| Width | Depth | Height |
|--------|--------|---------|
| 3-1/2" | 1-3/4" | 35-1/2" |



| P3-3 | | |
|--|-------|---------|
| Width | Depth | Height |
| 3" | 3" | 35-1/2" |
| Carton Quantity: | | 4 |
| <i>Alder, Cherry, Hard Maple, Rubberwood</i> | | |

| P3 | | |
|---|--------|---------|
| Width | Depth | Height |
| 3-1/2" | 3-1/2" | 35-1/2" |
| Carton Quantity: | | 4 |
| <i>Alder, Cherry, Hard Maple, Oak, Rubberwood</i> | | |

| P3-3-42 | | |
|-------------------|-------|--------|
| Width | Depth | Height |
| 3" | 3" | 42" |
| Carton Quantity: | | 4 |
| <i>Rubberwood</i> | | |

| P3-42 | | |
|--|--------|--------|
| Width | Depth | Height |
| 3-1/2" | 3-1/2" | 42" |
| Carton Quantity: | | 4 |
| <i>Alder, Cherry, Hard Maple, Rubberwood</i> | | |

| P21 | | |
|---------------------------------------|-------|---------|
| Width | Depth | Height |
| 5" | 5" | 35-1/2" |
| Carton Quantity: | | 2 |
| <i>Cherry, Hard Maple, Rubberwood</i> | | |



| P9 | | |
|---------------------------------------|--------|---------|
| Width | Depth | Height |
| 3-3/4" | 3-3/4" | 35-1/2" |
| Carton Quantity: | | 4 |
| Alder, Cherry, Hard Maple, Rubberwood | | |

| PS-9-3 | | |
|--------------------------------|-------|---------|
| Width | Depth | Height |
| 3" | 3" | 35-1/2" |
| Carton Quantity: | | 4 |
| Cherry, Hard Maple, Rubberwood | | |

| PS-9 | | |
|---------------------------------------|--------|---------|
| Width | Depth | Height |
| 3-3/4" | 3-3/4" | 35-1/2" |
| Carton Quantity: | | 4 |
| Alder, Cherry, Hard Maple, Rubberwood | | |

| PS-9-5 | | |
|--|-------|---------|
| Width | Depth | Height |
| 5" | 5" | 35-1/2" |
| Carton Quantity: | | 2 |
| Alder, Cherry, Hard Maple, Rubberwood, White Birch | | |

| PS-9-5-42 | | |
|--|-------|--------|
| Width | Depth | Height |
| 5" | 5" | 42" |
| Carton Quantity: | | 2 |
| Alder, Cherry, Hard Maple, Rubberwood, White Birch | | |

Posts



| P27-3.5 | | | P27 | | | P27-5-42 | | | P27-6 | | | P27-6-42 | | |
|--|--------|---------|--|-------|---------|--|-------|--------|--|-------|---------|--|-------|--------|
| Width | Depth | Height | Width | Depth | Height | Width | Depth | Height | Width | Depth | Height | Width | Depth | Height |
| 3-1/2" | 3-1/2" | 35-1/2" | 5" | 5" | 35-1/2" | 5" | 5" | 42" | 6" | 6" | 35-1/2" | 6" | 6" | 42" |
| Carton Quantity: | | 4 | Carton Quantity: | | 2 | Carton Quantity: | | 2 | Carton Quantity: | | 1 | Carton Quantity: | | 1 |
| Alder, Cherry, Hard Maple, Rubberwood, White Birch | | | Alder, Cherry, Hard Maple, Rubberwood, White Birch | | | Alder, Cherry, Hard Maple, Rubberwood, White Birch | | | Alder, Cherry, Hard Maple, Rubberwood, White Birch | | | Alder, Cherry, Hard Maple, Rubberwood, White Birch | | |



P35-3.5

| Width | Depth | Height |
|------------------|--------|---------|
| 3-1/2" | 3-1/2" | 35-1/2" |
| Carton Quantity: | | 4 |

Alder, Cherry, Hard Maple, Rubberwood, White Birch

P35

| Width | Depth | Height |
|------------------|-------|---------|
| 5" | 5" | 35-1/2" |
| Carton Quantity: | | 2 |

Alder, Hard Maple, Rubberwood

P35-5-42

| Width | Depth | Height |
|------------------|-------|--------|
| 5" | 5" | 42" |
| Carton Quantity: | | 2 |

Alder, Cherry, Hard Maple, Rubberwood, White Birch

P35-6

| Width | Depth | Height |
|------------------|-------|---------|
| 6" | 6" | 35-1/2" |
| Carton Quantity: | | 1 |

Alder, Cherry, Hard Maple, Rubberwood, White Birch

P35-6-42

| Width | Depth | Height |
|------------------|-------|--------|
| 6" | 6" | 42" |
| Carton Quantity: | | 1 |

Alder, Cherry, Hard Maple, Rubberwood, White Birch

Posts



P78

| Width | Depth | Height |
|------------------|--------|---------|
| 3-1/2" | 3-1/2" | 35-1/2" |
| Carton Quantity: | | 4 |

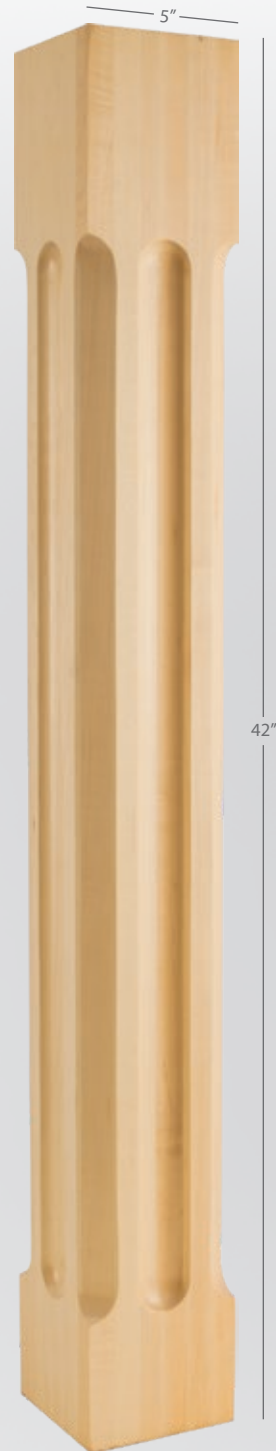
Alder, Cherry, Hard Maple, Rubberwood



P78-5

| Width | Depth | Height |
|------------------|-------|---------|
| 5" | 5" | 35-1/2" |
| Carton Quantity: | | 2 |

Alder, Cherry, Hard Maple, Rubberwood



P78-5-42

| Width | Depth | Height |
|------------------|-------|--------|
| 5" | 5" | 42" |
| Carton Quantity: | | 2 |

Alder, Cherry, Hard Maple, Rubberwood



P70⁺

| Width | Depth | Height |
|------------------|--------|---------|
| 3-1/2" | 3-1/2" | 35-1/2" |
| Carton Quantity: | | 4 |

Alder, Hard Maple, Rubberwood

P70-5

| Width | Depth | Height |
|------------------|-------|---------|
| 5" | 5" | 35-1/2" |
| Carton Quantity: | | 2 |

Alder, Hard Maple, Rubberwood

P70-5-42

| Width | Depth | Height |
|------------------|-------|--------|
| 5" | 5" | 42" |
| Carton Quantity: | | 2 |

Alder, Hard Maple, Rubberwood





P38

| Width | Depth | Height |
|------------------|-------|---------|
| 5" | 5" | 35-1/2" |
| Carton Quantity: | | 2 |

Alder, Hard Maple, Rubberwood

P38-3.5

| Width | Depth | Height |
|------------------|--------|---------|
| 3-1/2" | 3-1/2" | 35-1/2" |
| Carton Quantity: | | 4 |

Alder, Cherry, Hard Maple, Rubberwood, White Birch

P38-5-42

| Width | Depth | Height |
|------------------|-------|--------|
| 5" | 5" | 42" |
| Carton Quantity: | | 2 |

Alder, Cherry, Hard Maple, Rubberwood, White Birch



P38-6

| <i>Width</i> | <i>Depth</i> | <i>Height</i> |
|--------------|--------------|---------------|
| 6" | 6" | 35-1/2" |

Carton Quantity: 1

Alder, Cherry, Hard Maple, Rubberwood, White Birch

P38-6-42

| <i>Width</i> | <i>Depth</i> | <i>Height</i> |
|--------------|--------------|---------------|
| 6" | 6" | 42" |

Carton Quantity: 1

Alder, Cherry, Hard Maple, Rubberwood, White Birch



P13-3.5

| Width | Depth | Height |
|--------|--------|---------|
| 3-1/2" | 3-1/2" | 35-1/2" |

Carton Quantity: 4

Alder, Cherry, Hard Maple, Rubberwood, White Birch

P13-5

| Width | Depth | Height |
|-------|-------|---------|
| 5" | 5" | 35-1/2" |

Carton Quantity: 2

Alder, Cherry, Hard Maple, Rubberwood, White Birch

P13-5-42

| Width | Depth | Height |
|-------|-------|--------|
| 5" | 5" | 42" |

Carton Quantity: 2

Alder, Cherry, Hard Maple, Rubberwood, White Birch

P13

| Width | Depth | Height |
|-------|-------|---------|
| 6" | 6" | 35-1/2" |

Carton Quantity: 1

Alder, Cherry, Hard Maple, Rubberwood

P13-6-42

| Width | Depth | Height |
|-------|-------|--------|
| 6" | 6" | 42" |

Carton Quantity: 1

Alder, Cherry, Hard Maple, Rubberwood, White Birch



P37

| Width | Depth | Height |
|--------|--------|---------|
| 3-3/4" | 3-3/4" | 35-1/2" |

Carton Quantity: 4

Alder, Cherry, Hard Maple, Rubberwood

P37-5

| Width | Depth | Height |
|-------|-------|---------|
| 5" | 5" | 35-1/2" |

Carton Quantity: 2

Alder, Cherry, Hard Maple, Rubberwood

P37-6.5

| Width | Depth | Height |
|--------|--------|---------|
| 6-1/2" | 6-1/2" | 35-1/2" |

Carton Quantity: 1

Alder, Cherry, Hard Maple, Rubberwood

Posts



P83

| Width | Depth | Height |
|--------|--------|---------|
| 3-1/2" | 3-1/2" | 35-1/2" |

Carton Quantity: 4

Alder, Cherry, Hard Maple, Rubberwood, White Birch

P83-5

| Width | Depth | Height |
|-------|-------|---------|
| 5" | 5" | 35-1/2" |

Carton Quantity: 2

Alder, Cherry, Hard Maple, Rubberwood, White Birch

P83-5-42

| Width | Depth | Height |
|-------|-------|--------|
| 5" | 5" | 42" |

Carton Quantity: 2

Alder, Cherry, Hard Maple, Rubberwood, White Birch

P83-6

| Width | Depth | Height |
|-------|-------|---------|
| 6" | 6" | 35-1/2" |

Carton Quantity: 1

Alder, Cherry, Hard Maple, Rubberwood, White Birch

P83-6-42

| Width | Depth | Height |
|-------|-------|--------|
| 6" | 6" | 42" |

Carton Quantity: 1

Alder, Cherry, Hard Maple, Rubberwood, White Birch



| P82 | | | P82-5 | | | P82-5-42 | | | P34 | | | P34-5 | | |
|--|--------|---------|--|-------|---------|--|-------|--------|---------------------------------------|--------|---------|---------------------------------------|-------|---------|
| Width | Depth | Height | Width | Depth | Height | Width | Depth | Height | Width | Depth | Height | Width | Depth | Height |
| 3-1/2" | 3-1/2" | 35-1/2" | 5" | 5" | 35-1/2" | 5" | 5" | 42" | 3-3/4" | 3-3/4" | 35-1/2" | 5" | 5" | 35-1/2" |
| Carton Quantity: | | 2 | Carton Quantity: | | 2 | Carton Quantity: | | 2 | Carton Quantity: | | 4 | Carton Quantity: | | 2 |
| Alder, Cherry, Hard Maple, Rubberwood, White Birch | | | Alder, Cherry, Hard Maple, Rubberwood, White Birch | | | Alder, Cherry, Hard Maple, Rubberwood, White Birch | | | Alder, Cherry, Hard Maple, Rubberwood | | | Alder, Cherry, Hard Maple, Rubberwood | | |



P39

| Width | Depth | Height |
|--------|--------|---------|
| 3-3/4" | 3-3/4" | 35-1/2" |

Carton Quantity: 4

Alder, Cherry, Hard Maple, Rubberwood

P39-5⁺

| Width | Depth | Height |
|-------|-------|---------|
| 5" | 5" | 35-1/2" |

Carton Quantity: 2

Hard Maple, Rubberwood

P36

| Width | Depth | Height |
|-------|-------|---------|
| 5" | 5" | 35-1/2" |

Carton Quantity: 2

Alder, Hard Maple, Rubberwood

P41

| Width | Depth | Height |
|-------|-------|---------|
| 5" | 5" | 35-1/2" |

Carton Quantity: 2

Alder, Hard Maple, Rubberwood



These products are being retired.
Check availability online or call for products marked with "+".



| P73[†] | | |
|------------------------|--------------|---------------|
| <i>Width</i> | <i>Depth</i> | <i>Height</i> |
| 3-1/2" | 3-1/2" | 35-1/2" |
| Carton Quantity: | | 4 |

Alder, Cherry, Hard Maple, Rubberwood



| P73-5[†] | | |
|--------------------------|--------------|---------------|
| <i>Width</i> | <i>Depth</i> | <i>Height</i> |
| 5" | 5" | 35-1/2" |
| Carton Quantity: | | 2 |

Alder, Cherry, Hard Maple



| P73-5-42[†] | | |
|-----------------------------|--------------|---------------|
| <i>Width</i> | <i>Depth</i> | <i>Height</i> |
| 5" | 5" | 42" |
| Carton Quantity: | | 2 |

Alder, Cherry, Hard Maple, Rubberwood

Posts



P60

| Width | Depth | Height |
|------------------|--------|---------|
| 3-1/2" | 3-1/2" | 35-1/2" |
| Carton Quantity: | | 4 |

Alder, Hard Maple, Rubberwood

P60-5

| Width | Depth | Height |
|------------------|-------|---------|
| 5" | 5" | 35-1/2" |
| Carton Quantity: | | 2 |

Alder, Hard Maple, Rubberwood

P60-5-42

| Width | Depth | Height |
|------------------|-------|--------|
| 5" | 5" | 42" |
| Carton Quantity: | | 2 |

Alder, Hard Maple, Rubberwood



P62-5[†]

| Width | Depth | Height |
|------------------|-------|---------|
| 5" | 5" | 35-1/2" |
| Carton Quantity: | | 2 |

Alder, Hard Maple



P62-5-42[†]

| Width | Depth | Height |
|------------------|-------|--------|
| 5" | 5" | 42" |
| Carton Quantity: | | 2 |

Alder, Hard Maple, Rubberwood





| P74 [†] | | |
|------------------|--------|---------|
| Width | Depth | Height |
| 3-1/2" | 3-1/2" | 35-1/2" |
| Carton Quantity: | | 4 |

Alder, Cherry



| P74-5 [†] | | |
|--------------------|-------|---------|
| Width | Depth | Height |
| 5" | 5" | 35-1/2" |
| Carton Quantity: | | 2 |

Alder, Cherry, Hard Maple



| P74-5-42 [†] | | |
|-----------------------|-------|--------|
| Width | Depth | Height |
| 5" | 5" | 42" |
| Carton Quantity: | | 2 |

Alder, Cherry, Hard Maple, Rubberwood



These products are being retired.
Check availability online or call for products marked with "†".



P72[†]

| Width | Depth | Height |
|------------------|--------|---------|
| 3-1/2" | 3-1/2" | 35-1/2" |
| Carton Quantity: | | 4 |

Alder, Cherry, Hard Maple, Rubberwood



P72-5[†]

| Width | Depth | Height |
|------------------|-------|---------|
| 5" | 5" | 35-1/2" |
| Carton Quantity: | | 2 |

Alder, Cherry, Hard Maple, Rubberwood



P72-5-42[†]

| Width | Depth | Height |
|------------------|-------|--------|
| 5" | 5" | 42" |
| Carton Quantity: | | 2 |

Alder, Cherry, Hard Maple, Rubberwood





P64

| Width | Depth | Height |
|--------|--------|---------|
| 3-1/2" | 3-1/2" | 35-1/2" |

Carton Quantity: 4

Alder, Hard Maple, Rubberwood

P64-5

| Width | Depth | Height |
|-------|-------|---------|
| 5" | 5" | 35-1/2" |

Carton Quantity: 2

Alder, Hard Maple, Rubberwood

P64-5-42

| Width | Depth | Height |
|-------|-------|--------|
| 5" | 5" | 42" |

Carton Quantity: 2

Alder, Hard Maple, Rubberwood

P32

| Width | Depth | Height |
|--------|--------|---------|
| 3-1/2" | 3-1/2" | 35-1/2" |

Carton Quantity: 4

Alder, Hard Maple, Rubberwood



P61[†]

| Width | Depth | Height |
|------------------|--------|---------|
| 3-1/2" | 3-1/2" | 35-1/2" |
| Carton Quantity: | | 4 |

Alder, Hard Maple

P61-5[†]

| Width | Depth | Height |
|------------------|-------|---------|
| 5" | 5" | 35-1/2" |
| Carton Quantity: | | 2 |

Alder, Hard Maple

P61-5-42[†]

| Width | Depth | Height |
|------------------|-------|--------|
| 5" | 5" | 42" |
| Carton Quantity: | | 2 |

Alder, Hard Maple,
Rubberwood

P33

| Width | Depth | Height |
|------------------|--------|---------|
| 3-1/2" | 3-1/2" | 35-1/2" |
| Carton Quantity: | | 4 |

Alder, Hard Maple,
Rubberwood



Posts



| P42 | | |
|------------------------------------|--------|---------|
| Width | Depth | Height |
| 3-1/2" | 3-1/2" | 35-1/2" |
| Carton Quantity: | | 4 |
| Alder, Hard Maple, Oak, Rubberwood | | |

| P42-42 | | |
|------------------------------------|--------|--------|
| Width | Depth | Height |
| 3-1/2" | 3-1/2" | 42" |
| Carton Quantity: | | 4 |
| Alder, Hard Maple, Oak, Rubberwood | | |

| P42-5 | | |
|------------------------------------|-------|---------|
| Width | Depth | Height |
| 5" | 5" | 35-1/2" |
| Carton Quantity: | | 2 |
| Alder, Hard Maple, Oak, Rubberwood | | |

| P31 | | |
|-------------------------------|--------|---------|
| Width | Depth | Height |
| 3-1/2" | 3-1/2" | 35-1/2" |
| Carton Quantity: | | 4 |
| Alder, Hard Maple, Rubberwood | | |

| P31TL | | |
|--|--------|---------|
| Width | Depth | Height |
| 3-1/2" | 3-1/2" | 25-1/4" |
| Carton Quantity: | | 4 |
| Alder, Hard Maple, Rubberwood, White Birch | | |



— 2" —
(tapered on 4 sides)

| P43 | | |
|------------------|--------|---------|
| Width | Depth | Height |
| 3-1/2" | 3-1/2" | 35-1/2" |
| Carton Quantity: | | 4 |

Alder, Cherry, Hard Maple, Oak, Rubberwood



— 2" —
(tapered on 4 sides)

| P43-42 | | |
|------------------|--------|--------|
| Width | Depth | Height |
| 3-1/2" | 3-1/2" | 42" |
| Carton Quantity: | | 4 |

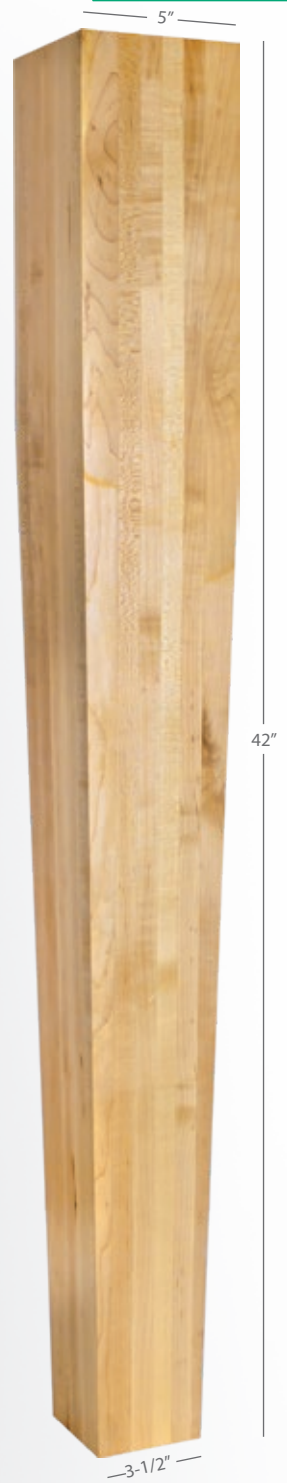
Alder, Cherry, Hard Maple, Oak, Rubberwood



— 3-1/2" —
(tapered on 4 sides)

| P43-5 | | |
|------------------|-------|---------|
| Width | Depth | Height |
| 5" | 5" | 35-1/2" |
| Carton Quantity: | | 2 |

Alder, Cherry, Hard Maple, Oak, Rubberwood



— 3-1/2" —
(tapered on 4 sides)

| P43-5-42 | | |
|------------------|-------|--------|
| Width | Depth | Height |
| 5" | 5" | 42" |
| Carton Quantity: | | 2 |

Alder, Cherry, Hard Maple, Oak, Rubberwood

Posts



| P63[†] | | |
|------------------------|--------|---------|
| Width | Depth | Height |
| 3-1/2" | 3-1/2" | 35-1/2" |
| Carton Quantity: | | 4 |

Alder, Hard Maple



| P63-5[†] | | |
|--------------------------|-------|---------|
| Width | Depth | Height |
| 5" | 5" | 35-1/2" |
| Carton Quantity: | | 2 |

Alder, Hard Maple,
Rubberwood



| P63-5-42[†] | | |
|-----------------------------|-------|--------|
| Width | Depth | Height |
| 5" | 5" | 42" |
| Carton Quantity: | | 2 |

Alder, Hard Maple,
Rubberwood



These products are being retired.
Check availability online or call for products marked with "†".



P75⁺

| Width | Depth | Height |
|------------------|--------|---------|
| 3-1/2" | 3-1/2" | 35-1/2" |
| Carton Quantity: | | 4 |

Alder, Cherry, Hard Maple, Rubberwood

P75-5⁺

| Width | Depth | Height |
|------------------|-------|---------|
| 5" | 5" | 35-1/2" |
| Carton Quantity: | | 2 |

Alder, Cherry, Hard Maple, Rubberwood

P75-5-42⁺

| Width | Depth | Height |
|------------------|-------|--------|
| 5" | 5" | 42" |
| Carton Quantity: | | 2 |

Alder, Cherry, Hard Maple, Rubberwood



Posts



P65[†]

| Width | Depth | Height |
|------------------|--------|---------|
| 3-1/2" | 3-1/2" | 35-1/2" |
| Carton Quantity: | | 4 |

Alder, Hard Maple, Rubberwood



P65-5[†]

| Width | Depth | Height |
|------------------|-------|---------|
| 5" | 5" | 35-1/2" |
| Carton Quantity: | | 2 |

Alder, Hard Maple



P65-5-42[†]

| Width | Depth | Height |
|------------------|-------|--------|
| 5" | 5" | 42" |
| Carton Quantity: | | 2 |

Alder, Hard Maple, Rubberwood



These products are being retired.
Check availability online or call for products marked with "†".



P67[†]

| Width | Depth | Height |
|------------------|--------|---------|
| 3-1/2" | 3-1/2" | 35-1/2" |
| Carton Quantity: | | 4 |

Alder, Hard Maple, Rubberwood

P67-5[†]

| Width | Depth | Height |
|------------------|-------|---------|
| 5" | 5" | 35-1/2" |
| Carton Quantity: | | 2 |

Alder, Hard Maple, Rubberwood

P67-5-42[†]

| Width | Depth | Height |
|------------------|-------|--------|
| 5" | 5" | 42" |
| Carton Quantity: | | 2 |

Alder, Hard Maple, Rubberwood





| P68 | | |
|--------------------------------------|--------|---------|
| Width | Depth | Height |
| 3-1/2" | 3-1/2" | 35-1/2" |
| Carton Quantity: | | 4 |
| <i>Alder, Hard Maple, Rubberwood</i> | | |



| P68-5 | | |
|--------------------------------------|-------|---------|
| Width | Depth | Height |
| 5" | 5" | 35-1/2" |
| Carton Quantity: | | 2 |
| <i>Alder, Hard Maple, Rubberwood</i> | | |



| P68-5-42 | | |
|--------------------------------------|-------|--------|
| Width | Depth | Height |
| 5" | 5" | 42" |
| Carton Quantity: | | 2 |
| <i>Alder, Hard Maple, Rubberwood</i> | | |



| P79[†] | | |
|------------------------|--------|---------|
| Width | Depth | Height |
| 3-1/2" | 3-1/2" | 35-1/2" |
| Carton Quantity: | | 4 |

Alder, Cherry, Hard Maple



| P79-5[†] | | |
|--------------------------|-------|---------|
| Width | Depth | Height |
| 5" | 5" | 35-1/2" |
| Carton Quantity: | | 2 |

Alder, Cherry, Hard Maple, Rubberwood



| P79-5-42[†] | | |
|-----------------------------|-------|--------|
| Width | Depth | Height |
| 5" | 5" | 42" |
| Carton Quantity: | | 2 |

Alder, Cherry, Hard Maple, Rubberwood



| P80 | | |
|--|--------|---------|
| Width | Depth | Height |
| 3-1/2" | 3-1/2" | 35-1/2" |
| Carton Quantity: | | 4 |
| <i>Alder, Cherry, Hard Maple, Rubberwood</i> | | |



| P80-5 | | |
|--|-------|---------|
| Width | Depth | Height |
| 5" | 5" | 35-1/2" |
| Carton Quantity: | | 2 |
| <i>Alder, Cherry, Hard Maple, Rubberwood</i> | | |



| P80-5-42 | | |
|--|-------|--------|
| Width | Depth | Height |
| 5" | 5" | 42" |
| Carton Quantity: | | 2 |
| <i>Alder, Cherry, Hard Maple, Rubberwood</i> | | |



P71

| Width | Depth | Height |
|------------------|--------|---------|
| 3-1/2" | 3-1/2" | 35-1/2" |
| Carton Quantity: | | 4 |

Alder, Cherry, Hard Maple, Rubberwood

P71-5

| Width | Depth | Height |
|------------------|-------|---------|
| 5" | 5" | 35-1/2" |
| Carton Quantity: | | 2 |

Alder, Cherry, Hard Maple, Rubberwood

P71-5-42

| Width | Depth | Height |
|------------------|-------|--------|
| 5" | 5" | 42" |
| Carton Quantity: | | 2 |

Alder, Cherry, Hard Maple, Rubberwood

Posts



P76[†]

| Width | Depth | Height |
|------------------|--------|---------|
| 3-1/2" | 3-1/2" | 35-1/2" |
| Carton Quantity: | | 4 |

Alder, Cherry, Hard Maple, Rubberwood

P76-5[†]

| Width | Depth | Height |
|------------------|-------|---------|
| 5" | 5" | 35-1/2" |
| Carton Quantity: | | 2 |

Alder, Cherry, Hard Maple, Rubberwood

P76-5-42[†]

| Width | Depth | Height |
|------------------|-------|--------|
| 5" | 5" | 42" |
| Carton Quantity: | | 2 |

Alder, Cherry, Hard Maple, Rubberwood



These products are being retired.
Check availability online or call for products marked with "†".



P77[†]

| Width | Depth | Height |
|------------------|--------|---------|
| 3-1/2" | 3-1/2" | 35-1/2" |
| Carton Quantity: | | 4 |

Alder, Cherry, Hard Maple, Rubberwood

P77-5[†]

| Width | Depth | Height |
|------------------|-------|---------|
| 5" | 5" | 35-1/2" |
| Carton Quantity: | | 2 |

Alder, Cherry, Hard Maple, Rubberwood

P77-5-42[†]

| Width | Depth | Height |
|------------------|-------|--------|
| 5" | 5" | 42" |
| Carton Quantity: | | 2 |

Alder, Cherry, Hard Maple, Rubberwood





| P66 [†] | | |
|--------------------------------------|--------|---------|
| Width | Depth | Height |
| 3-1/2" | 3-1/2" | 35-1/2" |
| Carton Quantity: | | 4 |
| <i>Alder, Hard Maple, Rubberwood</i> | | |



| P66-5 [†] | | |
|--------------------------------------|-------|---------|
| Width | Depth | Height |
| 5" | 5" | 35-1/2" |
| Carton Quantity: | | 2 |
| <i>Alder, Hard Maple, Rubberwood</i> | | |



| P66-5-42 [†] | | |
|--------------------------------------|-------|--------|
| Width | Depth | Height |
| 5" | 5" | 42" |
| Carton Quantity: | | 2 |
| <i>Alder, Hard Maple, Rubberwood</i> | | |



These products are being retired.
Check availability online or call for products marked with "†".

Feet & Legs



Feet and legs give your cabinets and furniture projects a lighter feel by raising them off the floor. Our collection includes a wide variety of styles including bun feet, pedestal feet, carved ball & claw legs, French legs, Queen Anne legs and more.





| WL80 | | |
|-------------------------------------|--------|--------|
| Width | Depth | Height |
| 4-1/2" | 4-1/2" | 8" |
| Carton Quantity: | | 36 |
| Cherry, Hard Maple, Oak, Rubberwood | | |

| WLC86 | | |
|-------------------------------------|--------|--------|
| Width | Depth | Height |
| 4-1/2" | 2-3/4" | 8" |
| Carton Quantity: | | 40 |
| Cherry, Hard Maple, Oak, Rubberwood | | |

| WLC80 | | |
|-------------------------------------|--------|--------|
| Width | Depth | Height |
| 4-1/2" | 4-1/2" | 8" |
| Carton Quantity: | | 36 |
| Cherry, Hard Maple, Oak, Rubberwood | | |

| WL60 | | |
|--|--------|--------|
| Width | Depth | Height |
| 4-1/2" | 4-1/2" | 6" |
| Carton Quantity: | | 36 |
| Alder, Cherry, Hard Maple, Oak, Rubberwood | | |

| WLC60 | | |
|-------------------------------------|--------|--------|
| Width | Depth | Height |
| 4-1/2" | 2-3/4" | 6" |
| Carton Quantity: | | 40 |
| Cherry, Hard Maple, Oak, Rubberwood | | |



| WL85 | | |
|-------------------------------------|--------|--------|
| Width | Depth | Height |
| 4-1/2" | 4-1/2" | 8" |
| Carton Quantity: | | 36 |
| Cherry, Hard Maple, Oak, Rubberwood | | |

| WLC85 ⁺ | | |
|--------------------|--------|--------|
| Width | Depth | Height |
| 4-5/8" | 2-3/4" | 8" |
| Carton Quantity: | | 40 |
| Rubberwood | | |

| WL82 | | |
|-------------------------------------|--------|--------|
| Width | Depth | Height |
| 2-1/4" | 2-1/4" | 8" |
| Carton Quantity: | | 30 |
| Cherry, Hard Maple, Oak, Rubberwood | | |

| WL65 | | |
|-------------------------------------|--------|--------|
| Width | Depth | Height |
| 4-1/4" | 4-1/4" | 6" |
| Carton Quantity: | | 36 |
| Cherry, Hard Maple, Oak, Rubberwood | | |

| WLC65 | | |
|-----------------------------|--------|--------|
| Width | Depth | Height |
| 4-1/4" | 2-5/8" | 6" |
| Carton Quantity: | | 40 |
| Hard Maple, Oak, Rubberwood | | |



These products are being retired.
Check availability online or call for products marked with "+".



| WLF80 | | |
|-------------------------|-------|--------|
| Width | Depth | Height |
| 5" | 5" | 8" |
| Carton Quantity: | | 36 |
| Cherry, Hard Maple, Oak | | |



| WLFC80 ⁺ | | |
|---------------------|--------|--------|
| Width | Depth | Height |
| 4-3/4" | 4-1/8" | 8" |
| Carton Quantity: | | 36 |
| Cherry, Hard Maple | | |



| WLF60 | | |
|-------------------------------------|-------|--------|
| Width | Depth | Height |
| 5" | 5" | 6" |
| Carton Quantity: | | 48 |
| Cherry, Hard Maple, Oak, Rubberwood | | |



| WLFC60 | | |
|--------------------------------|--------|--------|
| Width | Depth | Height |
| 4-3/4" | 4-1/2" | 6" |
| Carton Quantity: | | 48 |
| Cherry, Hard Maple, Rubberwood | | |



| WLC50 ⁺ | | |
|--------------------------------|--------|--------|
| Width | Depth | Height |
| 3-1/2" | 3-1/2" | 5" |
| Carton Quantity: | | 50 |
| Cherry, Hard Maple, Rubberwood | | |



| WL50 | | |
|-------------------------------------|--------|--------|
| Width | Depth | Height |
| 3-1/2" | 3-1/2" | 5" |
| Carton Quantity: | | 50 |
| Cherry, Hard Maple, Oak, Rubberwood | | |





PFL

| Width | Depth | Height |
|------------------|--------|--------|
| 6" | 1-1/8" | 4" |
| Carton Quantity: | | 100 |

Alder, Cherry, Hard Maple, Oak, Rubberwood

PFR

| Width | Depth | Height |
|------------------|--------|--------|
| 6" | 1-1/8" | 4" |
| Carton Quantity: | | 100 |

Alder, Cherry, Hard Maple, Oak, Rubberwood

PFM1

| Width | Depth | Height |
|------------------|--------|----------|
| 11-3/8" | 1-3/4" | 1-11/16" |
| Carton Quantity: | | 50 |

Alder, Cherry, Hard Maple, Oak, Rubberwood



PFC

| Width | Depth | Height |
|------------------|--------|--------|
| 6-3/4" | 6-3/4" | 4" |
| Carton Quantity: | | 20 |

Alder, Cherry, Hard Maple, Oak, Rubberwood

PFCS

| Width | Depth | Height |
|------------------|--------|--------|
| 6-3/4" | 6-3/4" | 4" |
| Carton Quantity: | | 20 |

Alder, Cherry, Hard Maple, Oak, Rubberwood



PFC & PFM1 shown in use



PFL-B

| Width | Depth | Height |
|------------------|-------|--------|
| 6-3/8" | 1" | 4-1/2" |
| Carton Quantity: | | 100 |

Alder, Cherry, Hard Maple,
Oak, Rubberwood

PFR-B

| Width | Depth | Height |
|------------------|-------|--------|
| 6-3/8" | 1" | 4-1/2" |
| Carton Quantity: | | 100 |

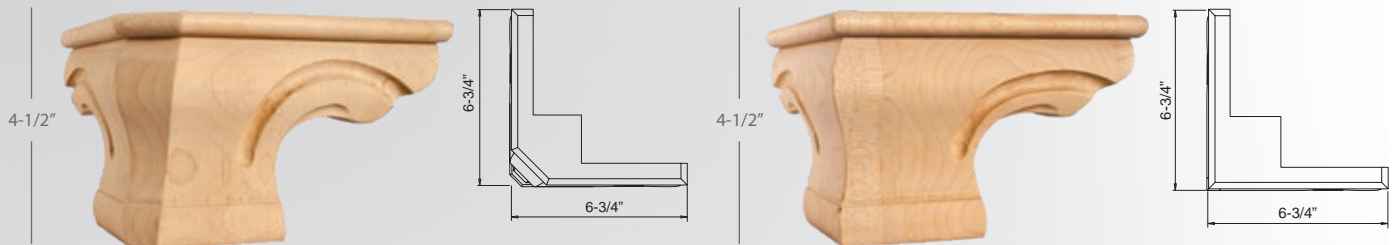
Alder, Cherry, Hard Maple,
Oak, Rubberwood



PFM1-B

| Width | Depth | Height |
|------------------|--------|--------|
| 11-3/4" | 1-3/4" | 2-1/4" |
| Carton Quantity: | | 50 |

Alder, Cherry, Hard Maple,
Oak, Rubberwood



PFC-B

| Width | Depth | Height |
|------------------|--------|--------|
| 6-3/4" | 6-3/4" | 4-1/2" |
| Carton Quantity: | | 20 |

Alder, Cherry, Hard Maple,
Oak, Rubberwood

PFCS-B

| Width | Depth | Height |
|------------------|--------|--------|
| 6-3/4" | 6-3/4" | 4-1/2" |
| Carton Quantity: | | 20 |

Alder, Cherry, Hard Maple,
Oak, Rubberwood



PFL2

| Width | Depth | Height |
|------------------|--------|--------|
| 8-1/4" | 1-1/2" | 4-1/2" |
| Carton Quantity: | | 50 |

Alder, Cherry, Hard Maple, Oak, Rubberwood

PFR2

| Width | Depth | Height |
|------------------|--------|--------|
| 8-1/4" | 1-1/2" | 4-1/2" |
| Carton Quantity: | | 50 |

Alder, Cherry, Hard Maple, Oak, Rubberwood



PFM2

| Width | Depth | Height |
|------------------|-------|--------|
| 16" | 1" | 2-1/2" |
| Carton Quantity: | | 50 |

Alder, Cherry, Hard Maple, Oak, Rubberwood



PFSHA

| Width | Depth | Height |
|------------------|-------|--------|
| 8" | 7/8" | 4-1/2" |
| Carton Quantity: | | 50 |

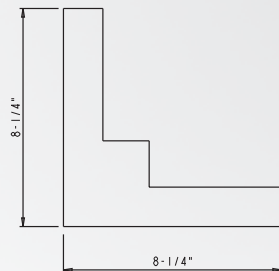
Alder, Cherry, Hard Maple, Rubberwood, White Birch



PFCS2

| Width | Depth | Height |
|------------------|--------|--------|
| 8-1/4" | 8-1/4" | 4-1/2" |
| Carton Quantity: | | 12 |

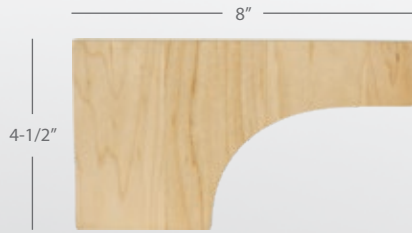
Alder, Cherry, Hard Maple, Oak, Rubberwood



PFCSHA

| Width | Depth | Height |
|------------------|-------|--------|
| 8" | 8" | 4-1/2" |
| Carton Quantity: | | 12 |

Alder, Cherry, Hard Maple, Rubberwood, White Birch



PFCOV

| Width | Depth | Height |
|------------------|-------|--------|
| 8" | 7/8" | 4-1/2" |
| Carton Quantity: | | 50 |

Alder, Cherry, Hard Maple, Rubberwood, White Birch



PFCCOV

| Width | Depth | Height |
|------------------|-------|--------|
| 8" | 8" | 4-1/2" |
| Carton Quantity: | | 12 |

Alder, Cherry, Hard Maple, Rubberwood, White Birch



BF34-5

| Width | Depth | Height |
|------------------|--------|--------|
| 2-1/4" | 2-1/4" | 4-1/2" |
| Carton Quantity: | | 50 |

Alder, Cherry, Hard Maple, Oak, Rubberwood, White Birch



BF34

| Width | Depth | Height |
|------------------|--------|--------|
| 2-1/4" | 2-1/4" | 4" |
| Carton Quantity: | | 50 |

Alder, Hard Maple, Oak, Rubberwood



BF32

| Width | Depth | Height |
|------------------|--------|--------|
| 3-1/2" | 3-1/2" | 4-1/2" |
| Carton Quantity: | | 40 |

Alder, Hard Maple, Rubberwood



BF35

| Width | Depth | Height |
|------------------|--------|--------|
| 3-1/2" | 3-1/2" | 4-1/2" |
| Carton Quantity: | | 100 |

Alder, Hard Maple, Rubberwood



LBF45

| Width | Depth | Height |
|------------------|--------|--------|
| 4-1/2" | 4-1/2" | 4-1/2" |
| Carton Quantity: | | 20 |

Hard Maple, Rubberwood



FBF45

| Width | Depth | Height |
|------------------|--------|--------|
| 4-1/2" | 4-1/2" | 4-1/2" |
| Carton Quantity: | | 20 |

Hard Maple, Rubberwood



SBF45

| Width | Depth | Height |
|------------------|--------|--------|
| 4-1/2" | 4-1/2" | 4-1/2" |
| Carton Quantity: | | 20 |

Hard Maple, Rubberwood



BF42

| Width | Depth | Height |
|------------------|--------|--------|
| 3-1/2" | 3-1/2" | 4" |
| Carton Quantity: | | 40 |

Alder, Cherry, Hard Maple, Rubberwood



| BF70 | | |
|--------------------------------------|--------|--------|
| Width | Depth | Height |
| 4-3/4" | 4-3/4" | 4" |
| Carton Quantity: | | 20 |
| <i>Alder, Hard Maple, Rubberwood</i> | | |



| BF45 | | |
|--------------------------------------|--------|--------|
| Width | Depth | Height |
| 4-1/2" | 4-1/2" | 4-1/2" |
| Carton Quantity: | | 20 |
| <i>Alder, Hard Maple, Rubberwood</i> | | |



| BF14-5 | | |
|--------------------------------------|-------|--------|
| Width | Depth | Height |
| 4" | 4" | 4" |
| Carton Quantity: | | 27 |
| <i>Alder, Hard Maple, Rubberwood</i> | | |



| BF14-4 | | |
|--------------------------------------|-------|--------|
| Width | Depth | Height |
| 4" | 4" | 5" |
| Carton Quantity: | | 27 |
| <i>Alder, Hard Maple, Rubberwood</i> | | |



| BF14-3 | | |
|--------------------------------------|-------|--------|
| Width | Depth | Height |
| 4" | 4" | 4" |
| Carton Quantity: | | 27 |
| <i>Alder, Hard Maple, Rubberwood</i> | | |



| BF14-1 | | |
|--------------------------------------|-------|--------|
| Width | Depth | Height |
| 4" | 4" | 5" |
| Carton Quantity: | | 27 |
| <i>Alder, Hard Maple, Rubberwood</i> | | |



| BF16-1 | | |
|---|-------|--------|
| Width | Depth | Height |
| 5" | 5" | 4-1/2" |
| Carton Quantity: | | 20 |
| <i>Alder, Cherry, Hard Maple, Rubberwood, White Birch</i> | | |



| BF16-2 | | |
|---|--------|--------|
| Width | Depth | Height |
| 3-1/2" | 3-1/2" | 4-1/2" |
| Carton Quantity: | | 20 |
| <i>Alder, Cherry, Hard Maple, Rubberwood, White Birch</i> | | |



| BF33 | | |
|--------------------------------------|--------|--------|
| Width | Depth | Height |
| 3-1/2" | 3-1/2" | 4-1/2" |
| Carton Quantity: | | 25 |
| <i>Alder, Hard Maple, Rubberwood</i> | | |



| BF14-2 | | |
|--------------------------------------|-------|--------|
| Width | Depth | Height |
| 4" | 4" | 4" |
| Carton Quantity: | | 27 |
| <i>Alder, Hard Maple, Rubberwood</i> | | |



| BF40 | | |
|--------------------------------------|--------|--------|
| Width | Depth | Height |
| 3-1/2" | 3-1/2" | 4-1/2" |
| Carton Quantity: | | 50 |
| <i>Alder, Hard Maple, Rubberwood</i> | | |



| BF90 | | |
|--|--------|--------|
| Width | Depth | Height |
| 4-1/4" | 4-1/4" | 4-1/4" |
| Carton Quantity: | | 20 |
| <i>Alder, Cherry, Hard Maple, Rubberwood</i> | | |



BF41

| Width | Depth | Height |
|------------------|--------|--------|
| 3-1/2" | 3-1/2" | 4-1/2" |
| Carton Quantity: | | 50 |

Alder, Hard Maple, Rubberwood



BF15-2-6

| Width | Depth | Height |
|------------------|-------|--------|
| 3" | 3" | 6" |
| Carton Quantity: | | 27 |

Alder, Cherry, Hard Maple, Rubberwood, White Birch



BF15-2-8

| Width | Depth | Height |
|------------------|-------|--------|
| 3" | 3" | 8" |
| Carton Quantity: | | 27 |

Alder, Cherry, Hard Maple, Rubberwood, White Birch



BF16-3-6

| Width | Depth | Height |
|------------------|-------|--------|
| 4" | 4" | 6" |
| Carton Quantity: | | 27 |

Alder, Cherry, Hard Maple, Rubberwood, White Birch



BF16-3-8

| Width | Depth | Height |
|------------------|-------|--------|
| 4" | 4" | 8" |
| Carton Quantity: | | 27 |

Alder, Cherry, Hard Maple, Rubberwood, White Birch



BF15-1-6

| Width | Depth | Height |
|------------------|-------|--------|
| 3" | 3" | 6" |
| Carton Quantity: | | 27 |

Alder, Cherry, Hard Maple, Rubberwood, White Birch



BF15-1-8

| Width | Depth | Height |
|------------------|-------|--------|
| 3" | 3" | 8" |
| Carton Quantity: | | 27 |

Alder, Cherry, Hard Maple, Rubberwood, White Birch



BF4

| Width | Depth | Height |
|------------------|-------|--------|
| 4" | 4" | 4" |
| Carton Quantity: | | 40 |

Cherry, Hard Maple, Rubberwood



BF60

| Width | Depth | Height |
|------------------|-------|--------|
| 4" | 4" | 6" |
| Carton Quantity: | | 30 |

Cherry, Hard Maple, Rubberwood



BF30

| Width | Depth | Height |
|------------------|-------|--------|
| 5" | 5" | 3" |
| Carton Quantity: | | 36 |

Hard Maple, Rubberwood



BFC40

| Width | Depth | Height |
|------------------|-------|--------|
| 5" | 5" | 3" |
| Carton Quantity: | | 20 |

Hard Maple, Rubberwood



89104-SN

Diameter *Adjustable Height*

2-3/8" **4" to 4-1/2"**

Carton Quantity: 50

Finish *Satin Nickel*

**Recommended screw:
#8 Pan head**

89102-SN

Diameter *Adjustable Height*

2-3/8" **4-1/2" to 4-5/8"**

Carton Quantity: 50

Finish *Satin Nickel*

**Recommended screw:
#8 Pan head**

89102-DC

Diameter *Adjustable Height*

2-3/8" **4-1/2" to 4-5/8"**

Carton Quantity: 50

Finish *Dull Chrome*

**Recommended screw:
#8 Pan head**



89101-SN

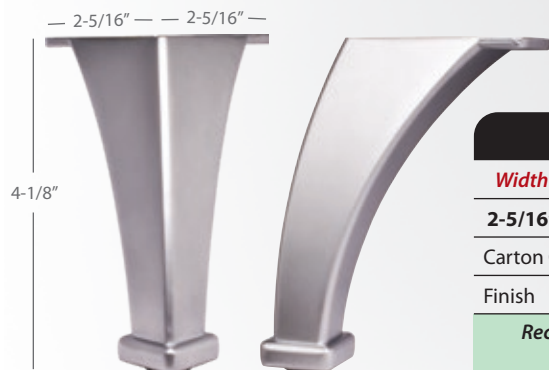
Width *Depth* *Height*

2-5/16" **2-5/16"** **4-1/8"**

Carton Quantity: 50

Finish *Satin Nickel*

**Recommended screw:
#8 Pan head**



89101-DC

Width *Depth* *Height*

2-5/16" **2-5/16"** **4-1/8"**

Carton Quantity: 50

Finish *Dull Chrome*

**Recommended screw:
#8 Pan head**

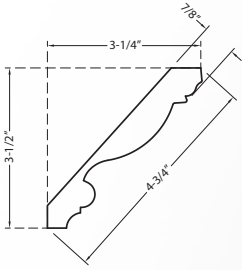
Moulding



Hand carved mouldings make great focal points on range hoods, mantels and cabinet trims. Rope, Dentil, Crown and other mouldings are made in the USA on the highest quality CNC machinery, ensuring a consistent product throughout each run and from one run to another.

Hand Carved Moulding

Moulding priced by the linear foot and sold in 8' lengths



HCM10

| Height | Depth | Repeat |
|--------|-------|---------|
| 4-3/4" | 7/8" | 3-9/16" |

Carton Quantity: 80LF

Alder, Basswood, Cherry, Maple

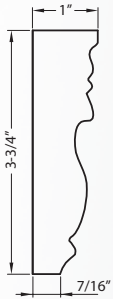


HCM10B

| Height | Depth | Repeat |
|--------|--------|---------|
| 5-3/4" | 1-1/4" | 3-9/16" |

Carton Quantity: 80LF

Basswood, Maple

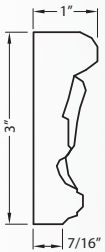


HCM01

| Height | Depth | Repeat |
|--------|-------|----------|
| 3-3/4" | 1" | 2-13/16" |

Carton Quantity: 80LF

Alder, Basswood, Cherry, Maple

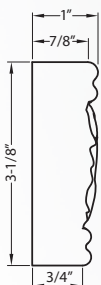


HCM06

| Height | Depth | Repeat |
|--------|-------|--------|
| 3" | 1" | 24" |

Carton Quantity: 80LF

Alder, Basswood, Cherry, Maple




HCM09⁺

| Height | Depth | Repeat |
|--------|-------|--------|
| 3-1/8" | 1" | 3-3/4" |

Carton Quantity: 80LF

Alder, Cherry, Basswood, Maple

 These products are being retired.
Check availability online or call for products marked with " + ".

800.463.0660 | www.HardwareResources.com

hardware
resources[®]

Hand Carved Moulding

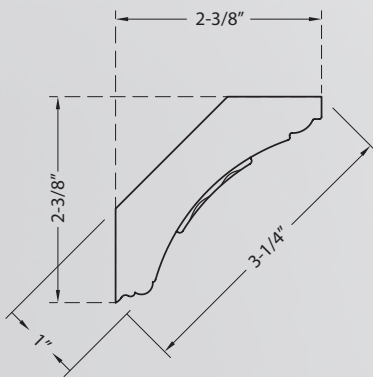
Moulding priced by the linear foot and sold in 8' lengths



©

HCM13⁺

| Height | Depth | Repeat | Carton Quantity: | |
|--------|-------|---------|------------------|----------------------|
| 4" | 7/8" | 5-1/16" | 80LF | Alder, Cherry, Maple |



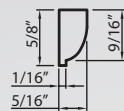
HCM08

| Height | Depth | Repeat | Carton Quantity: | |
|--------|-------|---------|------------------|-------------------------|
| 3-1/4" | 1" | 16-7/8" | 80LF | Basswood, Cherry, Maple |



HCM11

| Height | Depth | Repeat | Carton Quantity: | |
|---------|-------|----------|------------------|-----------------|
| 1-5/16" | 3/4" | 1-13/16" | 80LF | Basswood, Maple |



©

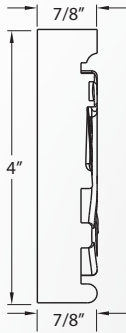
HCM14

| Height | Depth | Repeat | Carton Quantity: | |
|--------|-------|--------|------------------|-------|
| 5/8" | 5/16" | 1" | 80LF | Maple |



Hand Carved Moulding

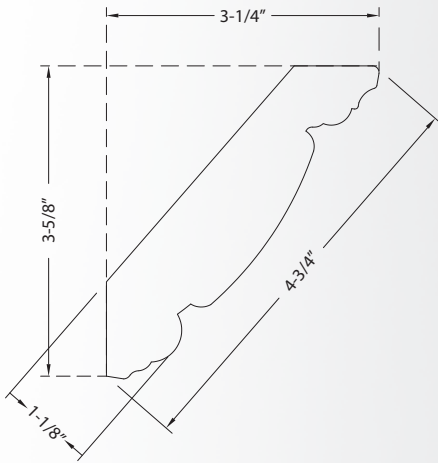
Moulding priced by the linear foot and sold in 8' lengths



©

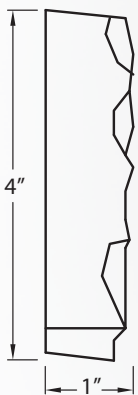
HCM12

| Height | Depth | Repeat | Carton Quantity: | |
|--------|-------|----------|------------------|----------------------|
| 4" | 7/8" | 4-13/16" | 80LF | Alder, Cherry, Maple |



HCM07

| Height | Depth | Repeat | Carton Quantity: | |
|--------|--------|---------|------------------|-------------------------|
| 4-3/4" | 1-1/8" | 11-7/8" | 80LF | Basswood, Cherry, Maple |



HCM05

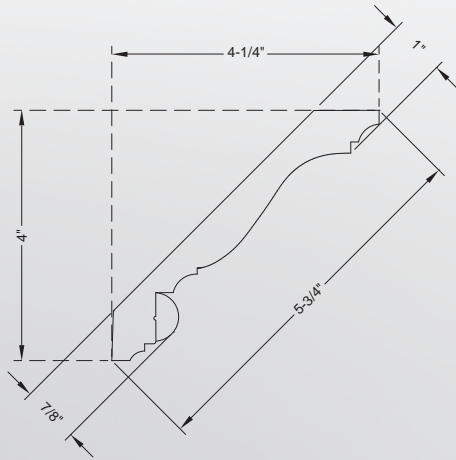
| Height | Depth | Repeat | Carton Quantity: | |
|--------|-------|--------|------------------|--------------------------------|
| 4" | 1" | 12" | 80LF | Alder, Basswood, Cherry, Maple |



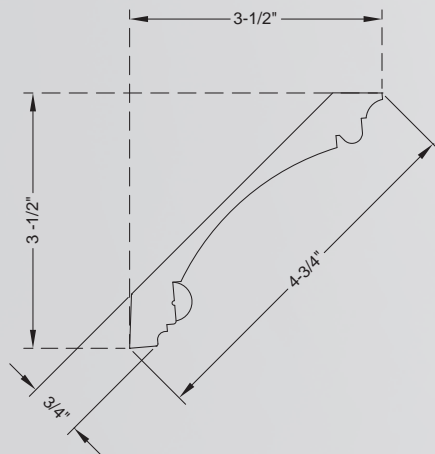
Rope Crown

Moulding & Trim

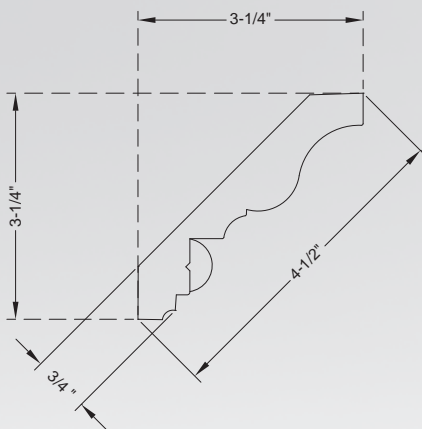
Moulding priced by the linear foot and sold in 8' lengths



| MC1 ⁺ | | | |
|------------------|-------|------------------|---------------------|
| Height | Depth | Carton Quantity: | |
| 5-3/4" | 1" | 56LF | Cherry, Oak, Poplar |



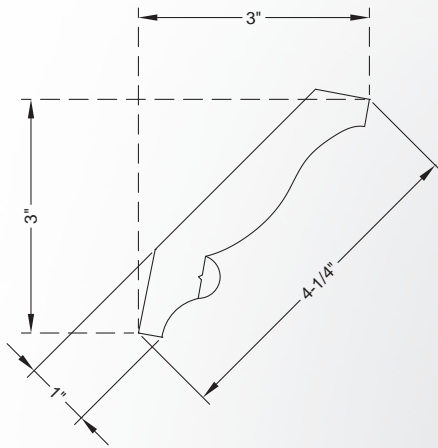
| MC2 | | | |
|--------|-------|------------------|--|
| Height | Depth | Carton Quantity: | |
| 4-3/4" | 3/4" | 64LF | Alder, Cherry, Hard Maple, Oak, Poplar |



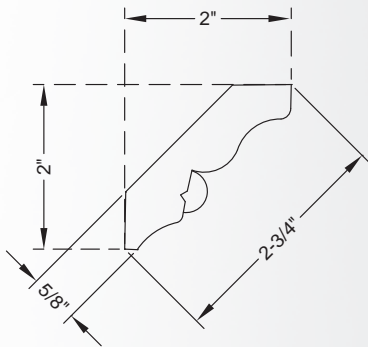
| MC4 | | | |
|--------|-------|------------------|--|
| Height | Depth | Carton Quantity: | |
| 4-1/2" | 3/4" | 72LF | Alder, Cherry, Hard Maple, Oak, Poplar |



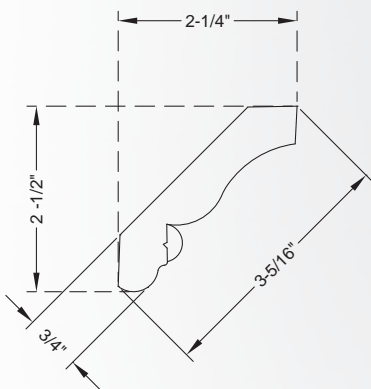
Moulding priced by the linear foot and sold in 8' lengths



| RC1 | | | |
|---------------|--------------|------------------|---|
| <i>Height</i> | <i>Depth</i> | Carton Quantity: | <i>Alder, Cherry, Hard Maple, Oak, Poplar</i> |
| 4-1/4" | 3/4" | 72LF | |



| RC2 | | | |
|---------------|--------------|------------------|---|
| <i>Height</i> | <i>Depth</i> | Carton Quantity: | <i>Alder, Cherry, Hard Maple, Oak, Poplar</i> |
| 2-3/4" | 5/8" | 120LF | |



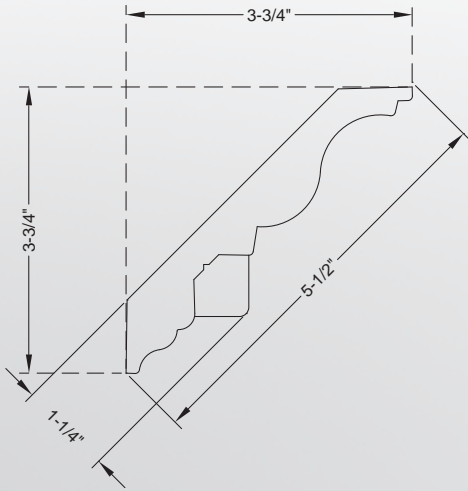
| SC2R | | | |
|----------------|--------------|------------------|---|
| <i>Height</i> | <i>Depth</i> | Carton Quantity: | <i>Alder, Cherry, Hard Maple, Oak, Poplar</i> |
| 3-5/16" | 3/4" | 80LF | |



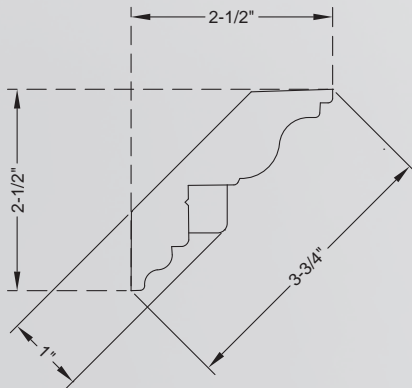
Dentil Crown

Moulding & Trim

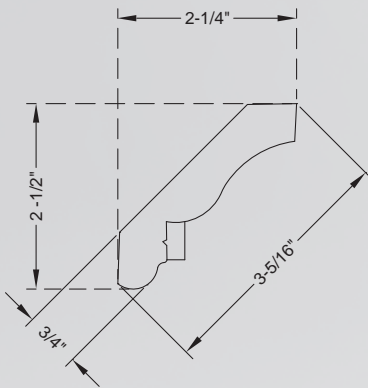
Moulding priced by the linear foot and sold in 8' lengths



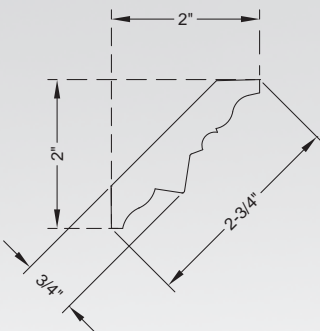
| DC2 | | | |
|--------|--------|------------------|--|
| Height | Depth | Carton Quantity: | |
| 5-1/2" | 1-1/4" | 56LF | Alder, Cherry, Hard Maple, Oak, Poplar |



| DC1 | | | |
|--------|-------|------------------|--|
| Height | Depth | Carton Quantity: | |
| 3-3/4" | 1" | 72LF | Alder, Cherry, Hard Maple, Oak, Poplar |



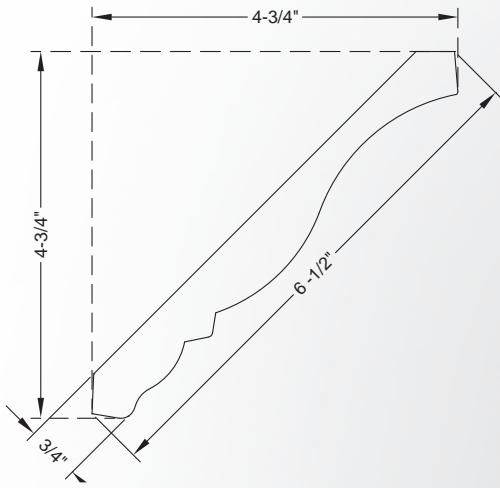
| SC2D ⁺ | | | |
|-------------------|-------|------------------|----------------|
| Height | Depth | Carton Quantity: | |
| 3-3/8" | 3/4" | 80LF | Cherry, Poplar |



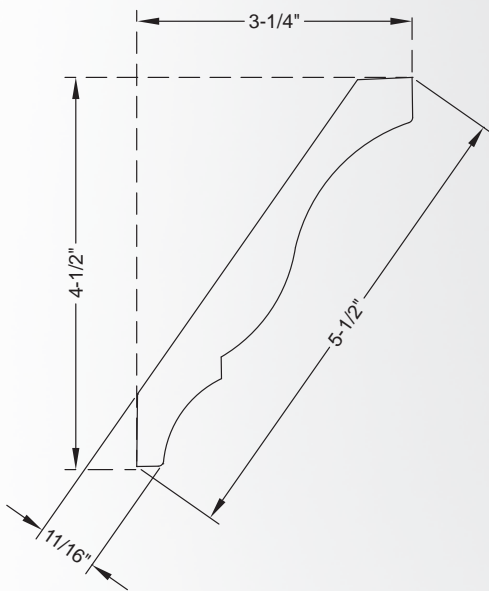
| DC4 ⁺ | | | |
|------------------|-------|------------------|--|
| Height | Depth | Carton Quantity: | |
| 2-3/4" | 3/4" | 80LF | Alder, Cherry, Hard Maple, Oak, Poplar |




Moulding priced by the linear foot and sold in 8' lengths



| SC15 ⁺ | | | |
|-------------------|--------------|------------------|--------------------------------|
| <i>Height</i> | <i>Depth</i> | Carton Quantity: | <i>Cherry, Hard Maple, Oak</i> |
| 6-1/2" | 3/4" | 56LF | |



| SC12 | | | |
|---------------|--------------|------------------|---|
| <i>Height</i> | <i>Depth</i> | Carton Quantity: | <i>Alder, Cherry, Hard Maple, Oak, Poplar</i> |
| 5-1/2" | 11/16" | 64LF | |

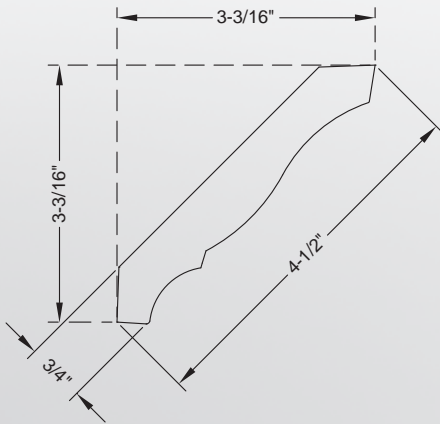
 These products are being retired.
Check availability online or call for products marked with " + ".



Standard Crown

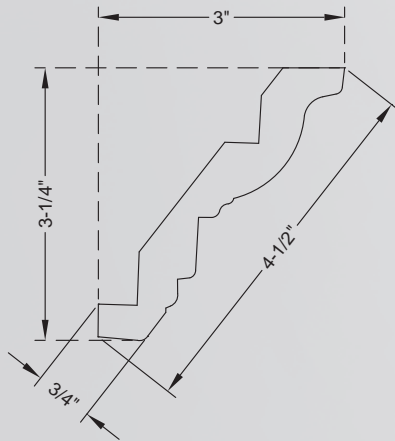
Moulding & Trim

Moulding priced by the linear foot and sold in 8' lengths



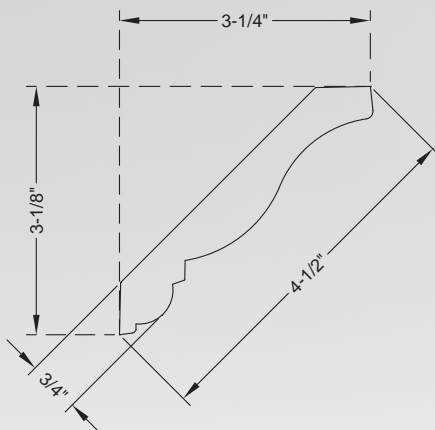
SC14

| Height | Depth | Carton Quantity: | Alder, Cherry, Hard Maple, Oak, Poplar |
|--------|-------|------------------|--|
| 4-1/2" | 3/4" | 72LF | |



SC21[†]

| Height | Depth | Carton Quantity: | Alder, Cherry, Hard Maple, Poplar |
|--------|-------|------------------|-----------------------------------|
| 4-1/2" | 3/4" | 72LF | |

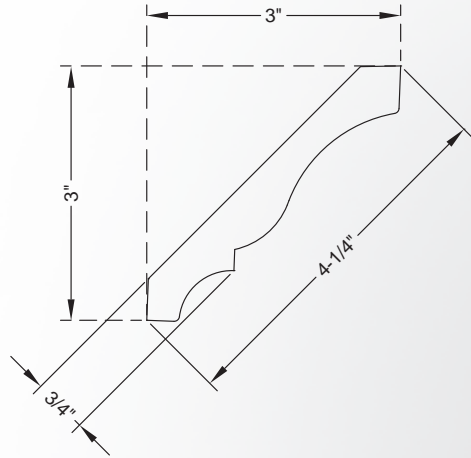


SC20

| Height | Depth | Carton Quantity: | Alder, Cherry, Hard Maple, Oak, Poplar |
|--------|-------|------------------|--|
| 4-1/2" | 3/4" | 72LF | |

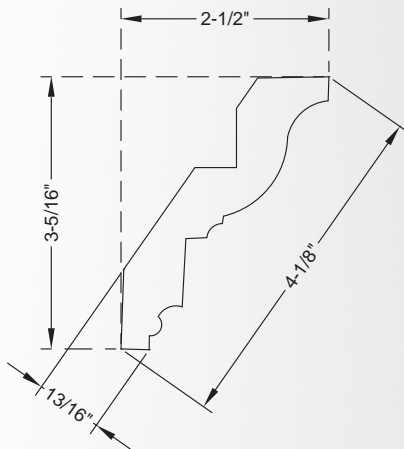


Moulding priced by the linear foot and sold in 8' lengths



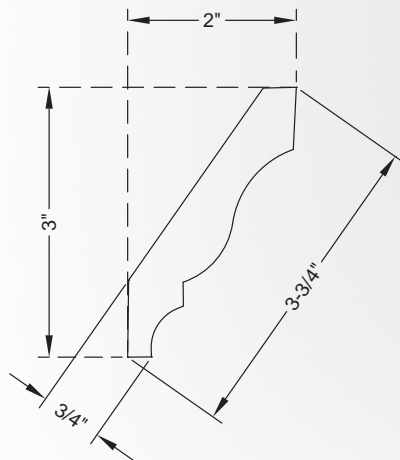
SC11

| Height | Depth | Carton Quantity: | Alder, Cherry, Hard Maple, Oak, Poplar |
|--------|-------|------------------|--|
| 4-1/4" | 3/4" | 72LF | |



SC19

| Height | Depth | Carton Quantity: | Alder, Cherry, Hard Maple, Oak, Poplar |
|--------|--------|------------------|--|
| 4-1/8" | 13/16" | 72LF | |



SC5

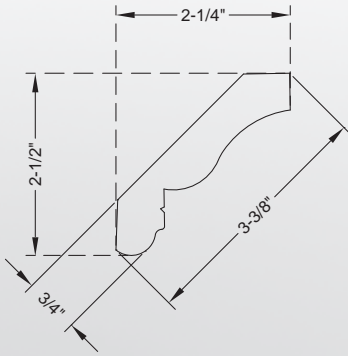
| Height | Depth | Carton Quantity: | Alder, Cherry, Hard Maple, Oak, Poplar |
|--------|-------|------------------|--|
| 3-3/4" | 3/4" | 80LF | |



Standard Crown

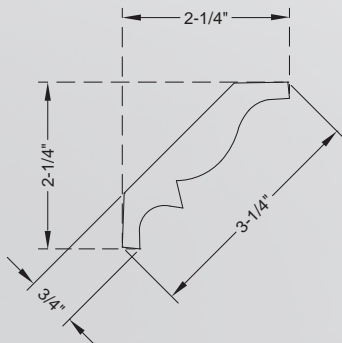
Moulding & Trim

Moulding priced by the linear foot and sold in 8' lengths



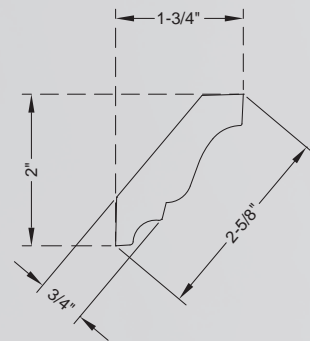
SC2

| Height | Depth |
|--|-------|
| 3-3/8" | 3/4" |
| Carton Quantity: 80LF | |
| Alder, Cherry, Hard Maple, Oak, Poplar | |



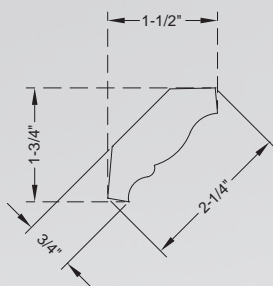
SC1

| Height | Depth |
|--|-------|
| 3-1/4" | 3/4" |
| Carton Quantity: 80LF | |
| Alder, Cherry, Hard Maple, Oak, Poplar | |



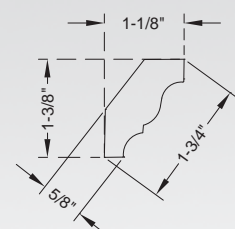
SC3

| Height | Depth |
|--|-------|
| 2-5/8" | 3/4" |
| Carton Quantity: 120LF | |
| Alder, Cherry, Hard Maple, Oak, Poplar | |



SC16

| Height | Depth |
|--|-------|
| 2-1/4" | 3/4" |
| Carton Quantity: 120LF | |
| Alder, Cherry, Hard Maple, Oak, Poplar | |

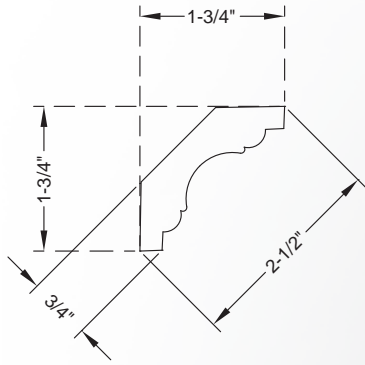


SC13[†]

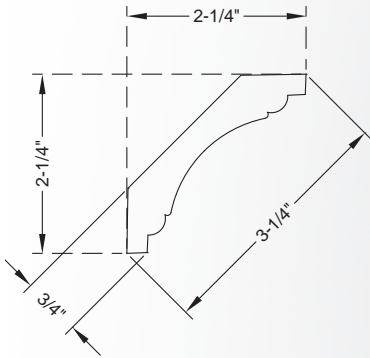
| Height | Depth |
|--|-------|
| 1-3/4" | 3/4" |
| Carton Quantity: 120LF | |
| Alder, Cherry, Hard Maple, Oak, Poplar | |



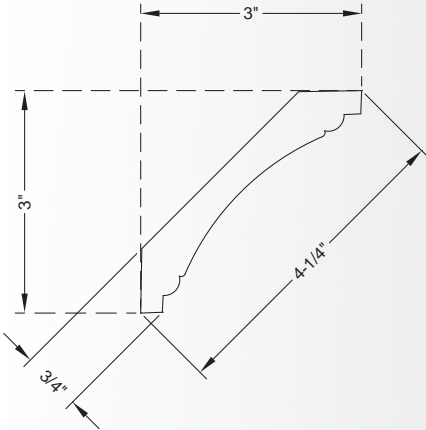
Moulding priced by the linear foot and sold in 8' lengths



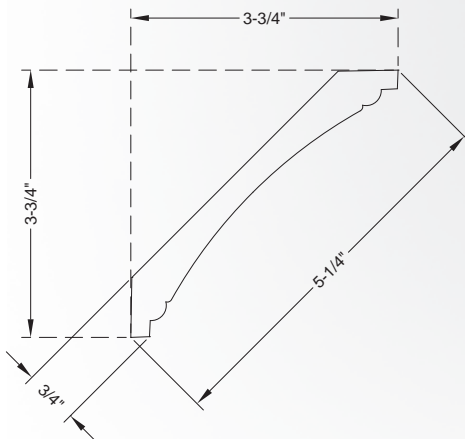
| MC8 | |
|-----------------------------------|-------|
| Height | Depth |
| 2-1/2" | 3/4" |
| Carton Quantity: 80LF | |
| Alder, Cherry, Hard Maple, Poplar | |



| MC9 | |
|-----------------------------------|-------|
| Height | Depth |
| 3-1/4" | 3/4" |
| Carton Quantity: 80LF | |
| Alder, Cherry, Hard Maple, Poplar | |



| MC7 | |
|-----------------------------------|-------|
| Height | Depth |
| 4-1/4" | 3/4" |
| Carton Quantity: 64LF | |
| Alder, Cherry, Hard Maple, Poplar | |



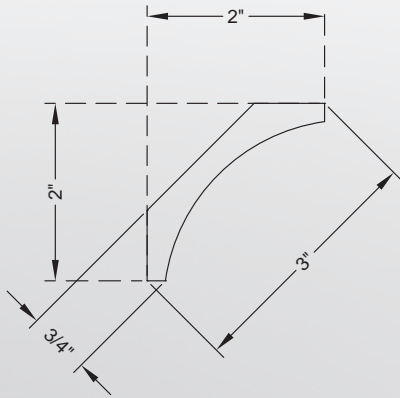
| MC10 | |
|-----------------------------------|-------|
| Height | Depth |
| 5-1/4" | 3/4" |
| Carton Quantity: 56LF | |
| Alder, Cherry, Hard Maple, Poplar | |



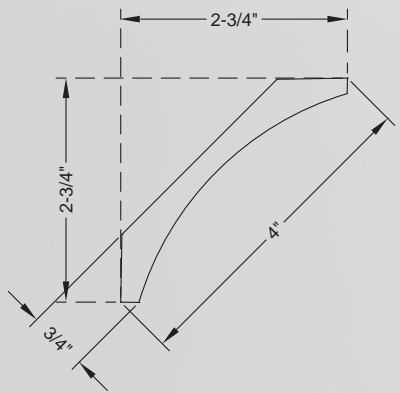
Cove Crown

Moulding & Trim

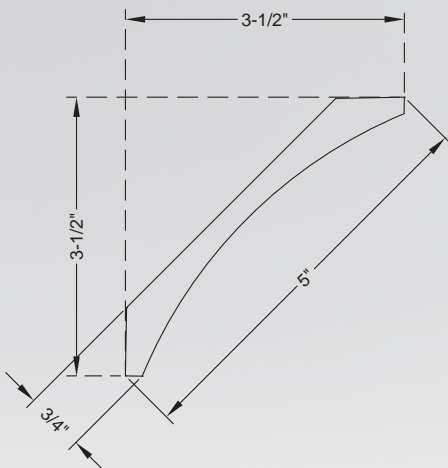
Moulding priced by the linear foot and sold in 8' lengths



| COV-3 | | | |
|--------|-------|------------------|--|
| Height | Depth | Carton Quantity: | Material |
| 3" | 3/4" | 80LF | Alder, Cherry, Hard Maple, Oak, Poplar |

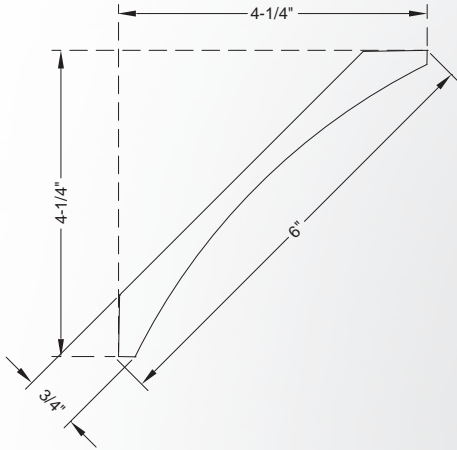


| COV-4 | | | |
|--------|-------|------------------|--|
| Height | Depth | Carton Quantity: | Material |
| 4" | 3/4" | 64LF | Alder, Cherry, Hard Maple, Oak, Poplar |

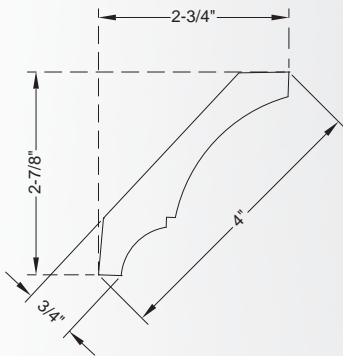


| COV-5 | | | |
|--------|-------|------------------|--|
| Height | Depth | Carton Quantity: | Material |
| 5" | 3/4" | 56LF | Alder, Cherry, Hard Maple, Oak, Poplar |

Moulding priced by the linear foot and sold in 8' lengths



| COV-6 | | | |
|--------------|--------------|------------------|---|
| <i>Width</i> | <i>Depth</i> | Carton Quantity: | <i>Alder, Cherry, Hard Maple, Oak, Poplar</i> |
| 6" | 3/4" | 56LF | |



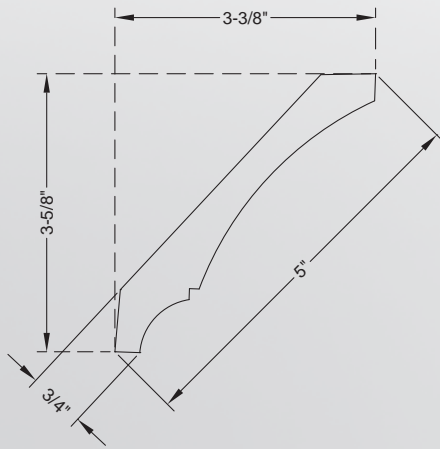
| CONCR-4 | | | |
|--------------|--------------|------------------|---------------------------|
| <i>Width</i> | <i>Depth</i> | Carton Quantity: | <i>Hard Maple, Poplar</i> |
| 4" | 3/4" | 64LF | |



Cove Crown

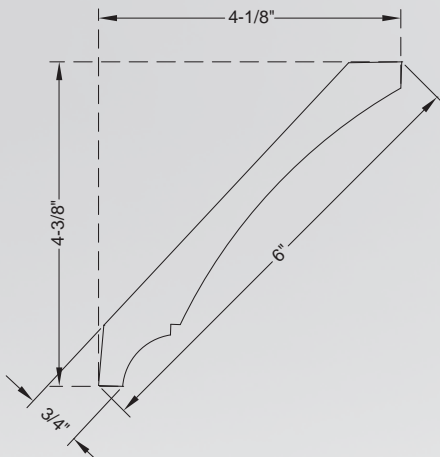
Moulding & Trim

Moulding priced by the linear foot and sold in 8' lengths



NEW

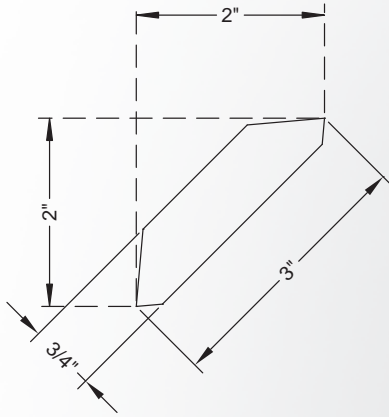
| CONCR-5 | | | |
|--------------|--------------|------------------|---------------------------|
| <i>Width</i> | <i>Depth</i> | Carton Quantity: | <i>Hard Maple, Poplar</i> |
| 5" | 3/4" | 56LF | |



NEW

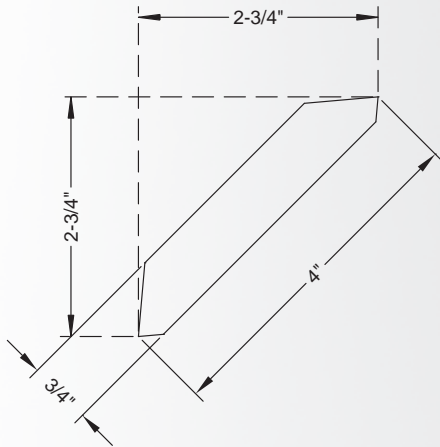
| CONCR-6 | | | |
|--------------|--------------|------------------|---------------------------|
| <i>Width</i> | <i>Depth</i> | Carton Quantity: | <i>Hard Maple, Poplar</i> |
| 6" | 3/4" | 80LF | |

Moulding priced by the linear foot and sold in 8' lengths



SHA-3

| Width | Depth | Carton Quantity: | |
|-------|-------|------------------|--|
| 3" | 3/4" | 80LF | Alder, Cherry, Hard Maple, Oak, Poplar |



SHA-4

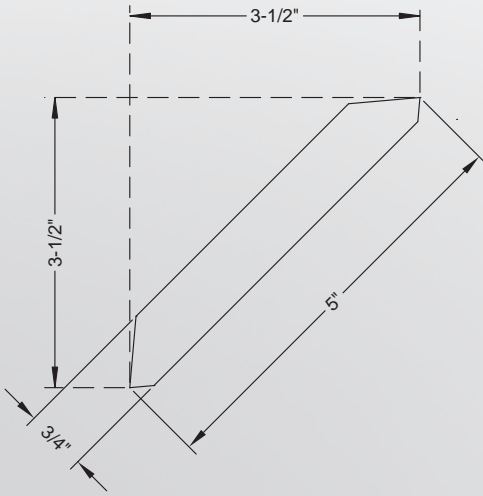
| Width | Depth | Carton Quantity: | |
|-------|-------|------------------|--|
| 4" | 3/4" | 64LF | Alder, Cherry, Hard Maple, Oak, Poplar |



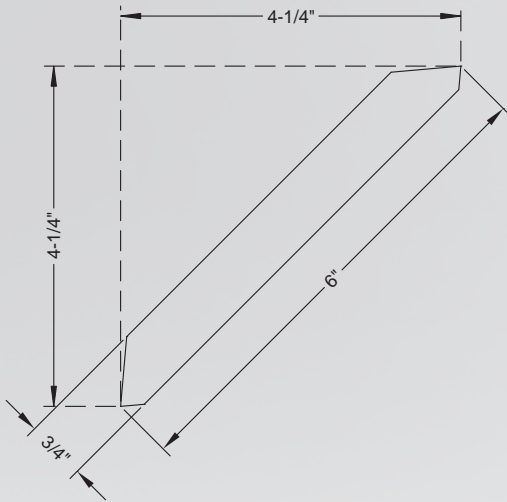
Shaker Crown

Moulding & Trim

Moulding priced by the linear foot and sold in 8' lengths



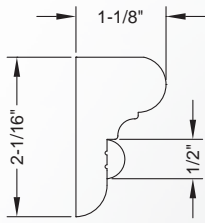
| SHA-5 | | | |
|--------------|--------------|------------------|---|
| <i>Width</i> | <i>Depth</i> | Carton Quantity: | <i>Alder, Cherry, Hard Maple, Oak, Poplar</i> |
| 5" | 3/4" | 64LF | |



| SHA-6 ⁺ | | | |
|--------------------|--------------|------------------|-----------------------------------|
| <i>Width</i> | <i>Depth</i> | Carton Quantity: | <i>Cherry, Hard Maple, Poplar</i> |
| 6" | 3/4" | 56LF | |

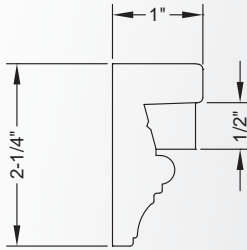


Moulding priced by the linear foot and sold in 8' lengths



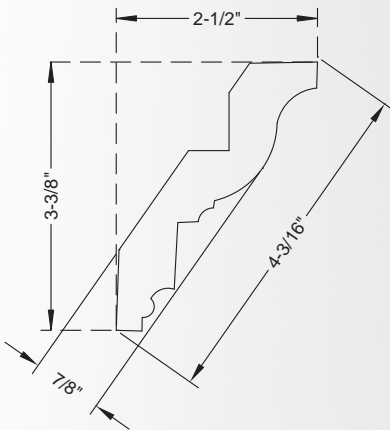
FBC1[†]

| Width | Depth | Carton Quantity: | |
|-------|--------|------------------|--------------------|
| 2" | 1-1/8" | 120LF | Alder, Oak, Poplar |



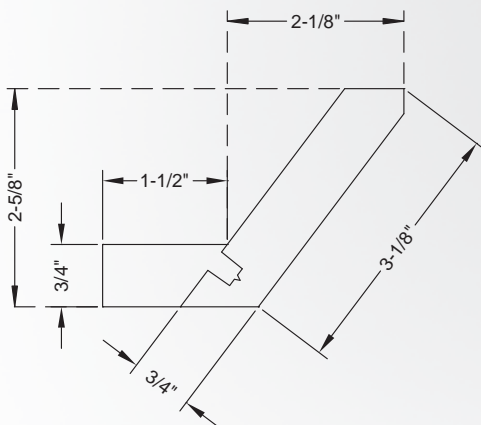
MC6[†]

| Width | Depth | Carton Quantity: | |
|--------|---------|------------------|----------------------------|
| 2-1/4" | 1-1/16" | 80LF | Alder, Cherry, Oak, Poplar |




SC19-E

| Width | Depth | Carton Quantity: | |
|--------|-------|------------------|--|
| 4-1/8" | 3/4" | 40LF | Alder, Cherry, Hard Maple, Oak, Poplar |



SC4-E

| Width | Depth | Carton Quantity: | |
|--------|-------|------------------|--|
| 3-5/8" | 3/4" | 48LF | Alder, Cherry, Hard Maple, Oak, Poplar |

 These products are being retired. Check availability online or call for products marked with "†".

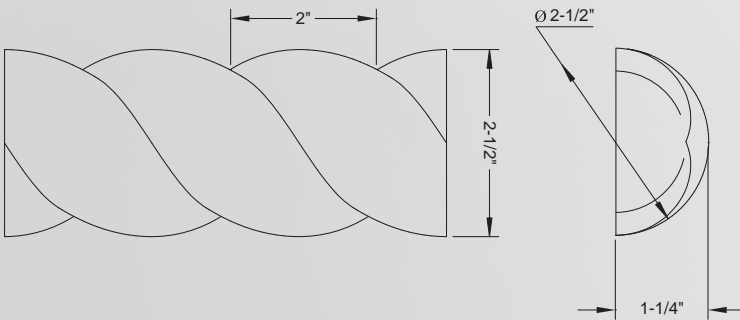


Half Round Rope

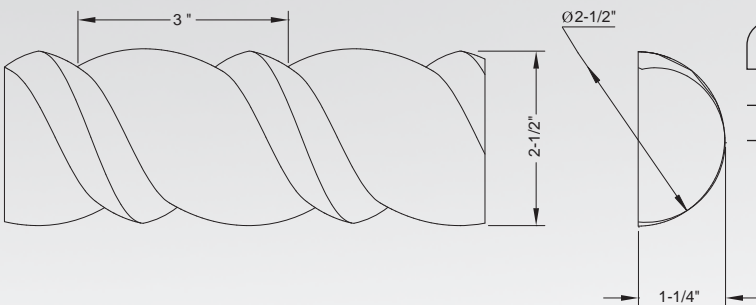
Moulding & Trim

Rope moulding priced and sold by 8' lengths

Shown actual size



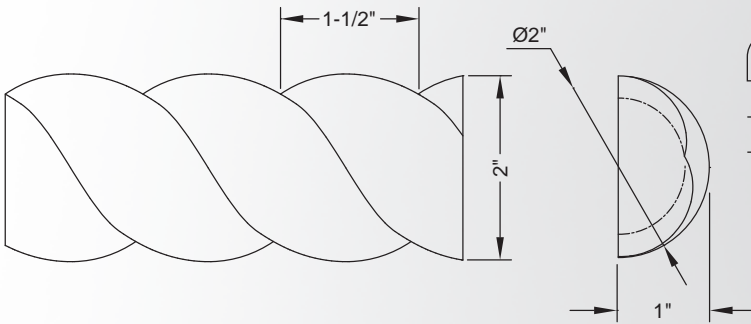
| RMH250 | | | |
|--------------|--------------|------------------|--|
| Width | Depth | Carton Quantity: | Alder, Cherry, Hard Maple, Oak, Poplar |
| 2-1/2" | 1-1/4" | 4 Lengths | |



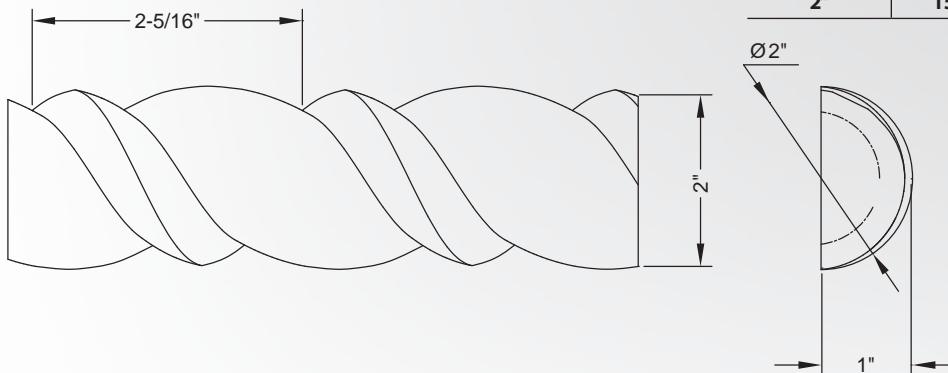
| RMH250B | | | |
|--------------|--------------|------------------|--|
| Width | Depth | Carton Quantity: | Alder, Cherry, Hard Maple, Oak, Poplar |
| 2-9/16" | 1-1/4" | 4 Lengths | |

Rope moulding priced and sold by 8' lengths

Shown actual size



| RMH2 | | | |
|--------------|----------------|------------------|---|
| <i>Width</i> | <i>Depth</i> | Carton Quantity: | <i>Alder, Cherry, Hard Maple, Oak, Poplar</i> |
| 2" | 1-1/16" | 5 Lengths | |



| RMH2B | | | |
|--------------|---------------|------------------|---|
| <i>Width</i> | <i>Depth</i> | Carton Quantity: | <i>Alder, Cherry, Hard Maple, Oak, Poplar</i> |
| 2" | 15/16" | 5 Lengths | |

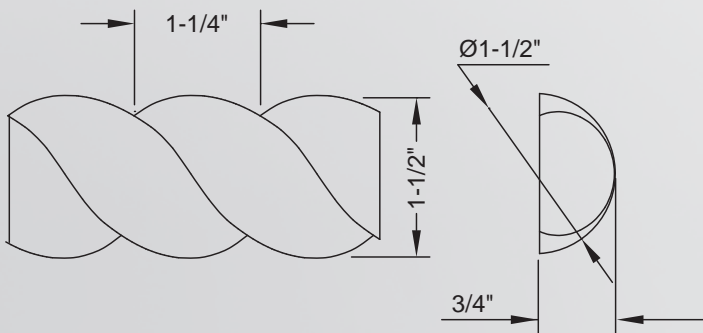


Half Round Rope

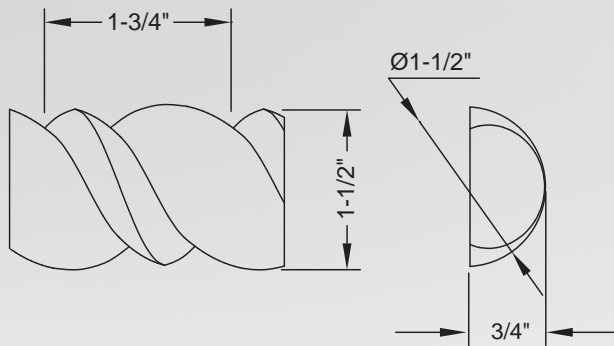
Moulding & Trim

Rope moulding priced and sold by 8' lengths

Shown actual size



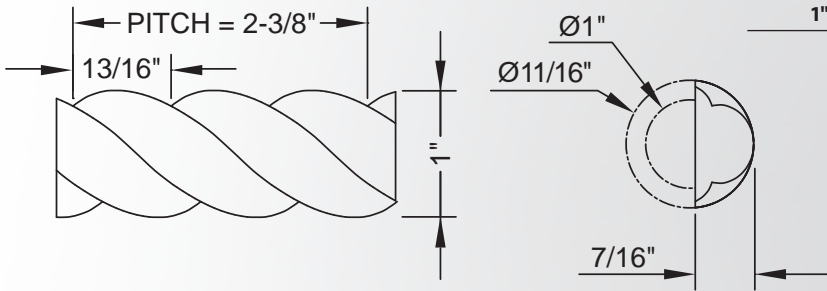
| RMH150 | | | |
|--------------|--------------|------------------|--|
| Width | Depth | Carton Quantity: | Alder, Cherry, Hard Maple, Oak, Poplar |
| 1-1/2" | 11/16" | 10 Lengths | |



| RMH150B | | | |
|--------------|--------------|------------------|--|
| Width | Depth | Carton Quantity: | Alder, Cherry, Hard Maple, Oak, Poplar |
| 1-7/16" | 5/8" | 10 Lengths | |

Rope moulding priced and sold by 8' lengths

Shown actual size



| RMH1 | | | |
|--------------|--------------|------------------|--|
| <i>Width</i> | <i>Depth</i> | Carton Quantity: | <i>Alder Cherry, Hard Maple, Oak, Poplar</i> |
| 1" | 7/16" | 20 Lengths | |



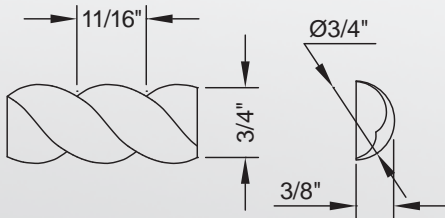


Half Round Rope

**Moulding
& Trim**

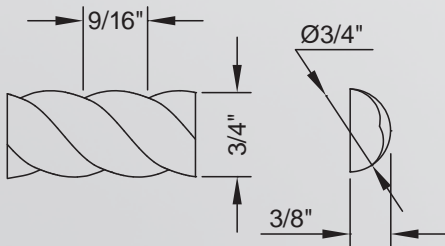
Rope moulding priced and sold by 8' lengths

Shown actual size



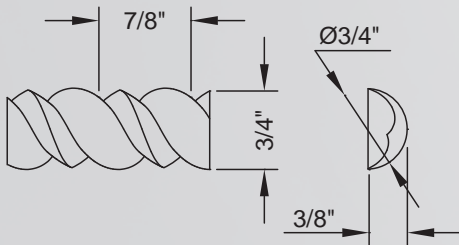
RMH34

| Width | Depth | Carton Quantity: | |
|-------|-------|------------------|--|
| 3/4" | 5/16" | 20 Sticks | Alder, Cherry, Hard Maple, Oak, Poplar |



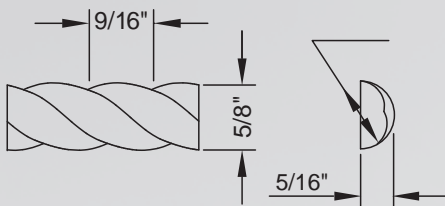
RMH34T

| Width | Depth | Carton Quantity: | |
|-------|-------|------------------|--|
| 3/4" | 5/16" | 20 Sticks | Alder, Cherry, Hard Maple, Oak, Poplar |



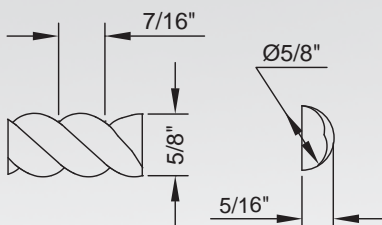
RMH34B

| Width | Depth | Carton Quantity: | |
|-------|-------|------------------|--|
| 3/4" | 3/8" | 20 Sticks | Alder, Cherry, Hard Maple, Oak, Poplar |



RMH58

| Width | Depth | Carton Quantity: | |
|-------|-------|------------------|--|
| 5/8" | 1/4" | 20 Sticks | Alder, Cherry, Hard Maple, Oak, Poplar |

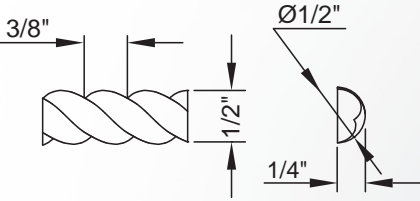


RMH58T

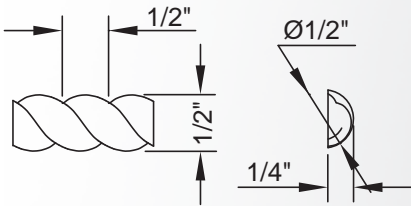
| Width | Depth | Carton Quantity: | |
|-------|-------|------------------|--|
| 5/8" | 1/4" | 20 Sticks | Alder, Cherry, Hard Maple, Oak, Poplar |

Rope moulding priced and sold by 8' lengths

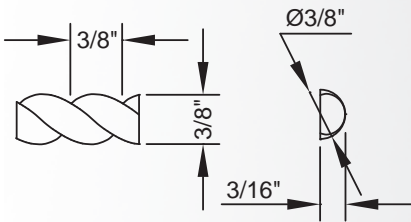
Shown actual size



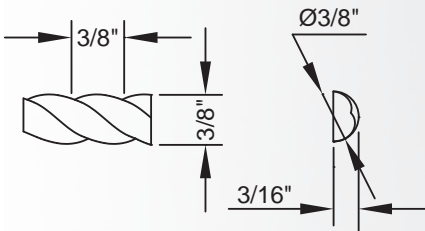
| RMH12 | | | |
|--------------|--------------|------------------|---|
| <i>Width</i> | <i>Depth</i> | Carton Quantity: | <i>Alder, Cherry, Hard Maple, Oak, Poplar</i> |
| 1/2" | 3/16" | 20 Sticks | |



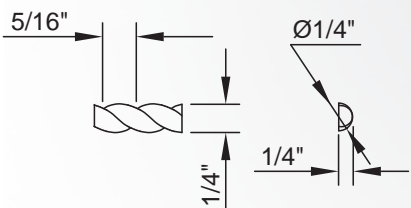
| RMH12T | | | |
|---------------|--------------|------------------|---|
| <i>Width</i> | <i>Depth</i> | Carton Quantity: | <i>Alder, Cherry, Hard Maple, Oak, Poplar</i> |
| 1/2" | 3/16" | 20 Sticks | |



| RMH38 | | | |
|--------------|--------------|------------------|---|
| <i>Width</i> | <i>Depth</i> | Carton Quantity: | <i>Alder, Cherry, Hard Maple, Oak, Poplar</i> |
| 3/8" | 3/16" | 20 Sticks | |



| RMH38T | | | |
|---------------|--------------|------------------|---|
| <i>Width</i> | <i>Depth</i> | Carton Quantity: | <i>Alder, Cherry, Hard Maple, Oak, Poplar</i> |
| 3/8" | 5/32" | 20 Sticks | |



| RMH14 | | | |
|--------------|--------------|------------------|---|
| <i>Width</i> | <i>Depth</i> | Carton Quantity: | <i>Alder, Cherry, Hard Maple, Oak, Poplar</i> |
| 1/4" | 1/8" | 20 Sticks | |

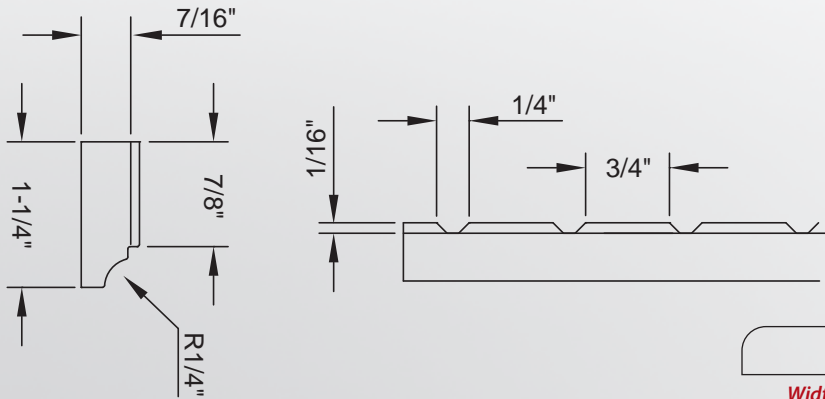


Dentil

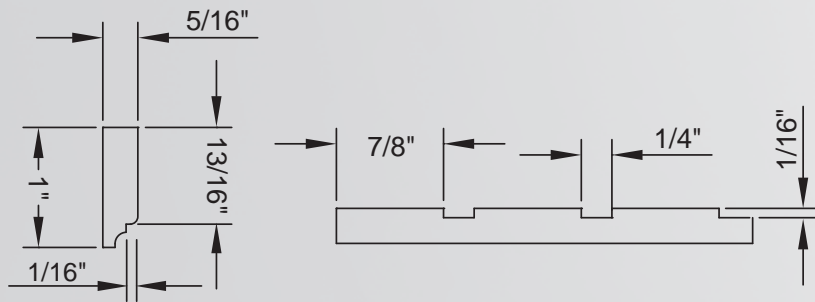
Moulding & Trim

Moulding priced by the linear foot and sold in 8' lengths

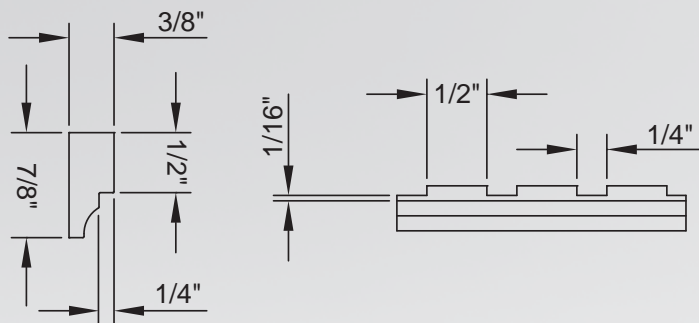
Shown actual size



| DEN1 [†] | | | |
|-------------------|-------|------------------|--------------------------------|
| Width | Depth | Carton Quantity: | Alder, Hard Maple, Oak, Poplar |
| 1-1/4" | 1/2" | 120LF | |



| DEN10 [†] | | | |
|--------------------|-------|------------------|--------------------------------|
| Width | Depth | Carton Quantity: | Alder, Hard Maple, Oak, Poplar |
| 1" | 1/4" | 120LF | |

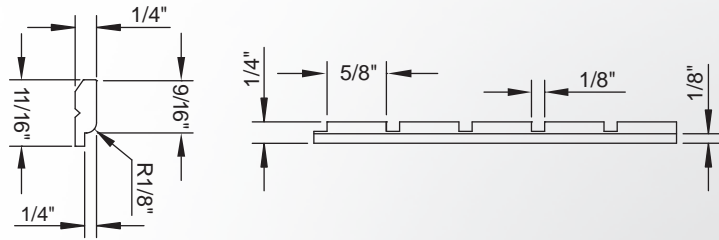


| DEN3 [†] | | | |
|-------------------|-------|------------------|---------------------------|
| Width | Depth | Carton Quantity: | Alder, Hard Maple, Poplar |
| 7/8" | 3/8" | 120LF | |



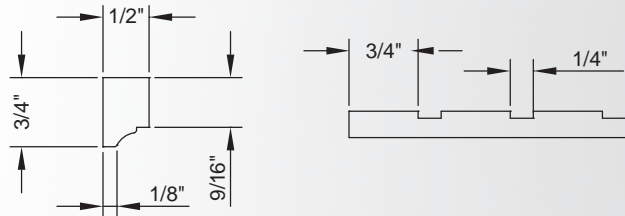
Moulding priced by the linear foot and sold in 8' lengths

Shown actual size



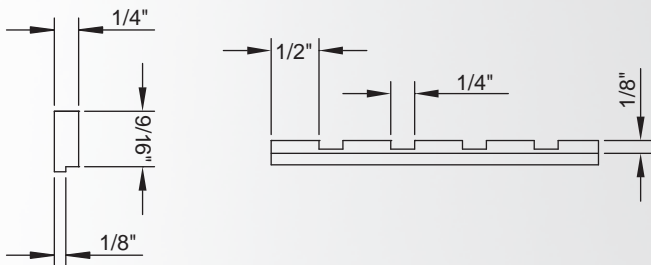
DEN7⁺

| Width | Depth | Carton Quantity: | |
|---------|-------|------------------|--------------------------------|
| 1 1/16" | 3/16" | 120LF | Alder, Hard Maple, Oak, Poplar |



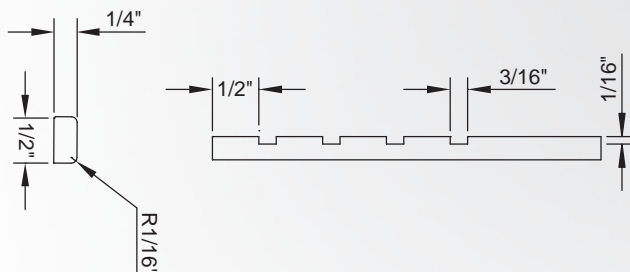
DEN19

| Width | Depth | Carton Quantity: | |
|-------|-------|------------------|--|
| 3/4" | 1/2" | 120LF | Alder, Cherry, Hard Maple, Oak, Poplar |




DEN18

| Width | Depth | Carton Quantity: | |
|-------|-------|------------------|--|
| 5/8" | 1/4" | 120LF | Alder, Cherry, Hard Maple, Oak, Poplar |



DEN5

| Width | Depth | Carton Quantity: | |
|-------|-------|------------------|--|
| 1/2" | 1/4" | 120LF | Alder, Cherry, Hard Maple, Oak, Poplar |

 These products are being retired. Check availability online or call for products marked with " + ".

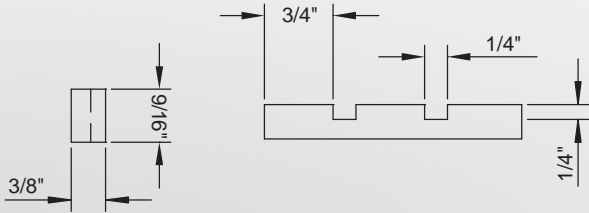


Dentil

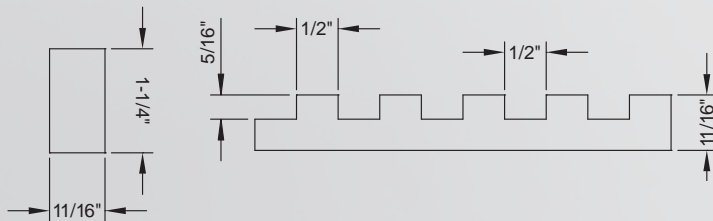
Moulding & Trim

Moulding priced by the linear foot and sold in 8' lengths

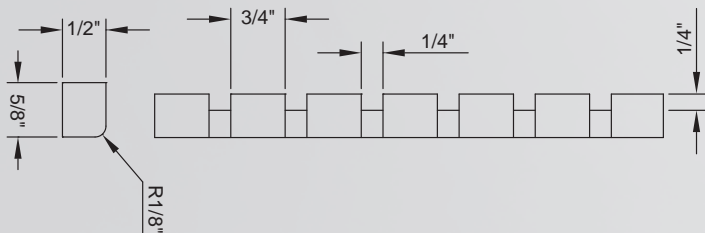
Shown actual size



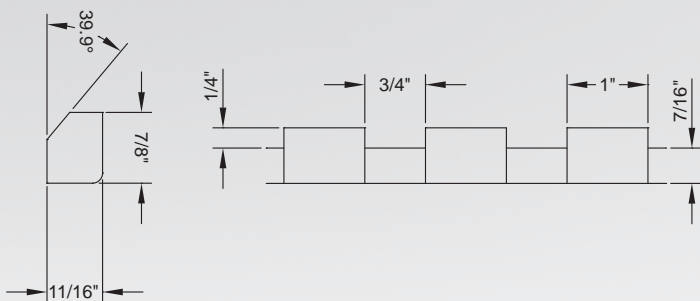
| DEN21 | | | |
|--------------|--------------|------------------|--|
| Width | Depth | Carton Quantity: | Alder, Cherry, Hard Maple, Oak, Poplar |
| 9/16" | 3/8" | 120LF | |



| DEN20 ⁺ | | | |
|--------------------|--------------|------------------|---------------|
| Width | Depth | Carton Quantity: | Alder, Cherry |
| 1-1/4" | 5/8" | 120LF | |



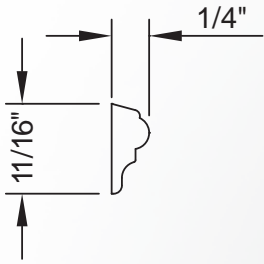
| DEN8 | | | |
|--------------|--------------|------------------|--|
| Width | Depth | Carton Quantity: | Alder, Cherry, Hard Maple, Oak, Poplar |
| 5/8" | 1/2" | 120LF | |



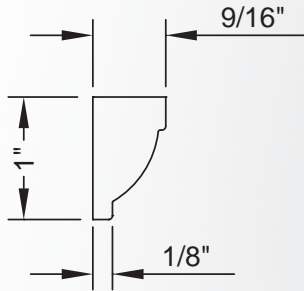
| DEN9 | | | |
|--------------|--------------|------------------|--------------------------------|
| Width | Depth | Carton Quantity: | Alder, Hard Maple, Oak, Poplar |
| 7/8" | 11/16" | 120LF | |



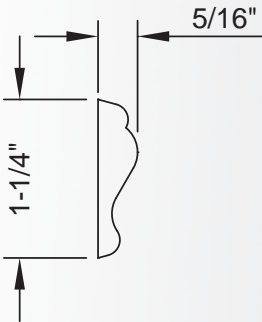
Moulding priced by the linear foot and sold in 8' lengths



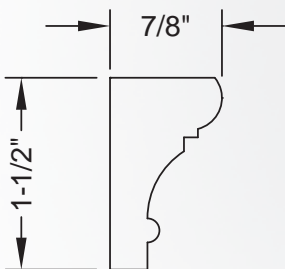
| EM-3 ⁺ | | | |
|-------------------|--------------|------------------|--------------------------------|
| <i>Width</i> | <i>Depth</i> | Carton Quantity: | Alder, Cherry, Hard Maple, Oak |
| 1 1/16" | 1/4" | 120LF | |




| EM-4 | | | |
|--------------|--------------|------------------|---|
| <i>Width</i> | <i>Depth</i> | Carton Quantity: | Alder, Cherry, Hard Maple, Oak, Poplar |
| 1" | 9/16" | 120LF | |



| EM-5 ⁺ | | | |
|-------------------|--------------|------------------|--------------------------------|
| <i>Width</i> | <i>Depth</i> | Carton Quantity: | Alder, Cherry, Hard Maple, Oak |
| 1-1/4" | 5/16" | 120LF | |



| EM-2 ⁺ | | | |
|-------------------|--------------|------------------|--------------------------------------|
| <i>Width</i> | <i>Depth</i> | Carton Quantity: | Alder, Cherry, Hard Maple, Poplar |
| 1-1/2" | 7/8" | 80LF | |

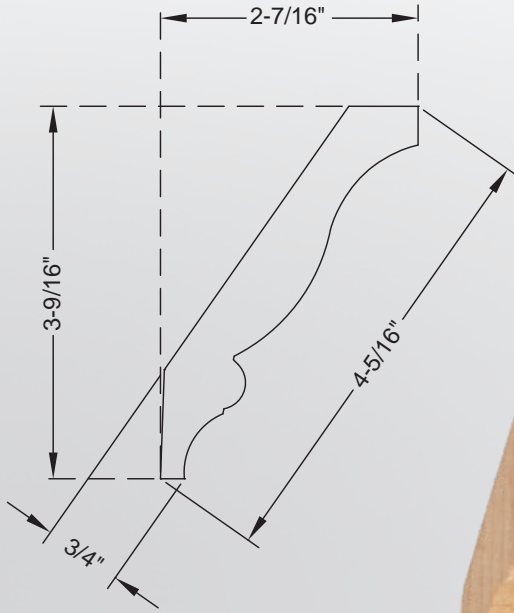
 These products are being retired.
Check availability online or call for products marked with " + ".



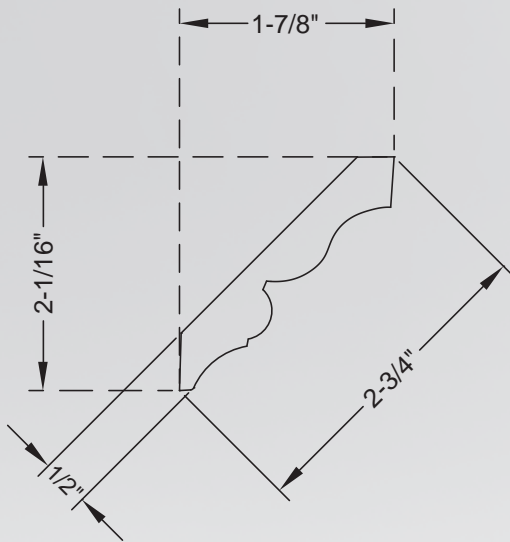
Embossed

Moulding & Trim

Moulding priced by the linear foot and sold in 8' lengths



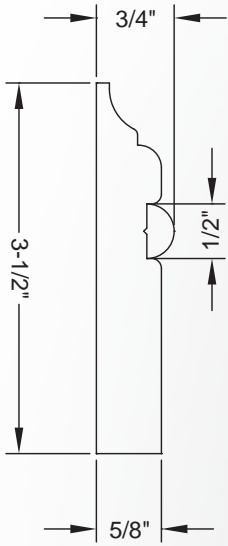
| EM-6 ⁺ | | | |
|-------------------|--------------|------------------|----------------------------------|
| <i>Width</i> | <i>Depth</i> | Carton Quantity: | <i>Alder, Hard Maple, Poplar</i> |
| 4-5/16" | 1/2" | 80LF | |



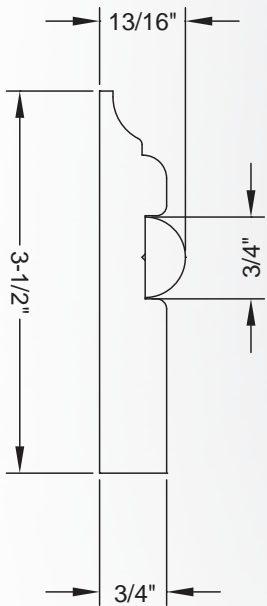
| EM-9 ⁺ | | | |
|-------------------|--------------|------------------|----------------------|
| <i>Width</i> | <i>Depth</i> | Carton Quantity: | <i>Alder, Poplar</i> |
| 2-3/4" | 1/2" | 120LF | |




Moulding priced by the linear foot and sold in 8' lengths



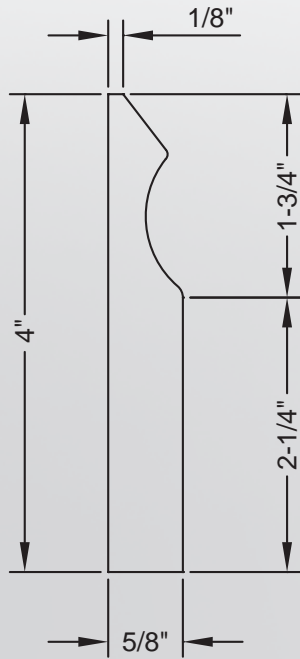
| BBM1 [†] | | | |
|-------------------|--------------|------------------|---------------------------|
| <i>Width</i> | <i>Depth</i> | Carton Quantity: | <i>Hard Maple, Poplar</i> |
| 3-1/2" | 5/8" | 80LF | |



| BBM2 [†] | | | |
|-------------------|--------------|------------------|------------------------|
| <i>Width</i> | <i>Depth</i> | Carton Quantity: | <i>Hard Maple, Oak</i> |
| 3-1/2" | 3/4" | 80LF | |

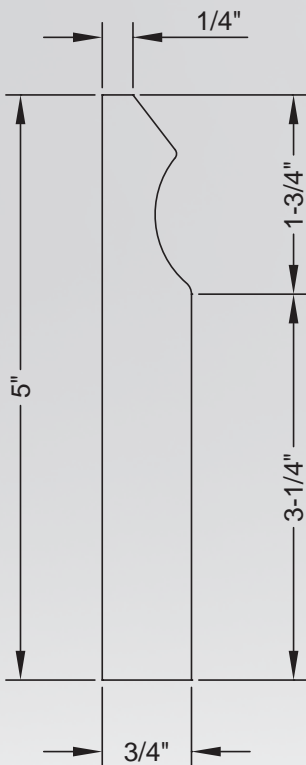
 These products are being retired.
Check availability online or call for products marked with "†".

Moulding priced by the linear foot and sold in 8' lengths



BASE1-4

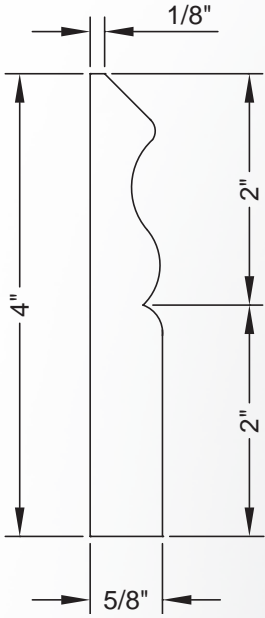
| | | | |
|--------------|--------------|------------------|---------------------------|
| <i>Width</i> | <i>Depth</i> | Carton Quantity: | <i>Hard Maple, Poplar</i> |
| 4" | 5/8" | 80LF | |



BASE1-5

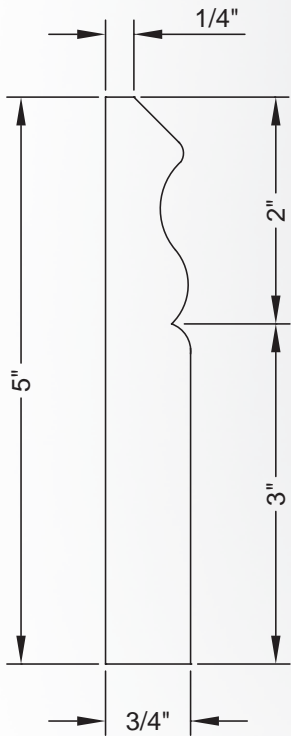
| | | | |
|--------------|--------------|------------------|---------------------------|
| <i>Width</i> | <i>Depth</i> | Carton Quantity: | <i>Hard Maple, Poplar</i> |
| 5" | 3/4" | 80LF | |

Moulding priced by the linear foot and sold in 8' lengths



NEW

| BASE2-4 | | | |
|--------------|--------------|------------------|---------------------------|
| <i>Width</i> | <i>Depth</i> | Carton Quantity: | <i>Hard Maple, Poplar</i> |
| 4" | 5/8" | 80LF | |



NEW

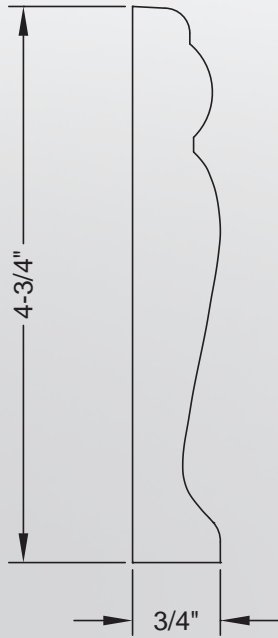
| BASE2-5 | | | |
|--------------|--------------|------------------|---------------------------|
| <i>Width</i> | <i>Depth</i> | Carton Quantity: | <i>Hard Maple, Poplar</i> |
| 5" | 3/4" | 80LF | |



Base

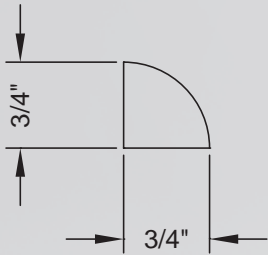
Moulding & Trim

Moulding priced by the linear foot and sold in 8' lengths

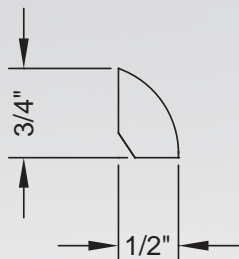


NEW

| BASE-5 | | | |
|--------|-------|------------------|--------------------|
| Width | Depth | Carton Quantity: | |
| 4-3/4" | 3/4" | 80LF | Hard Maple, Poplar |



| 34QTR | |
|--|-------|
| Width | Depth |
| 3/4" | 3/4" |
| Carton Quantity: | 120LF |
| Alder, Cherry, Hard Maple, Oak, Poplar | |



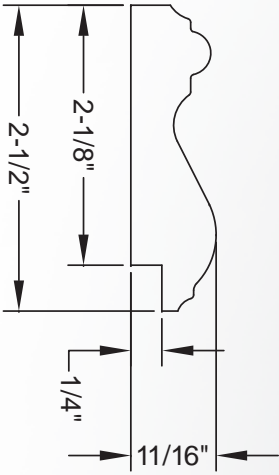
| 12QTR | |
|--|-------|
| Width | Depth |
| 3/4" | 1/2" |
| Carton Quantity: | 120LF |
| Alder, Cherry, Hard Maple, Oak, Poplar | |

Chair Rail

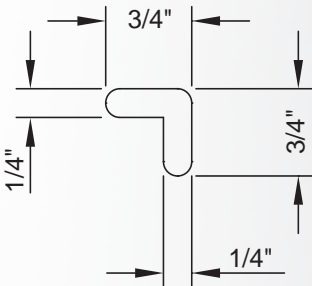


Moulding priced by the linear foot and sold in 8' lengths

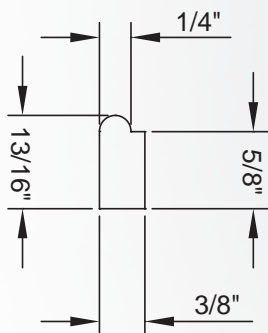
Shown actual size



| CHR1 ⁺ | |
|-------------------|--------|
| Width | Depth |
| 2-1/2" | 11/16" |
| Carton Quantity: | 80LF |
| Poplar | |



| OCM1 | | | |
|-------|-------|------------------|--|
| Width | Depth | Carton Quantity: | Material |
| 3/4" | 3/4" | 120LF | Alder, Cherry, Hard Maple, Oak, Poplar |



| BFM1 | | | |
|--------|-------|------------------|--|
| Width | Depth | Carton Quantity: | Material |
| 13/16" | 3/8" | 120LF | Alder, Cherry, Hard Maple, Oak, Poplar |

These products are being retired. Check availability online or call for products marked with " + ".

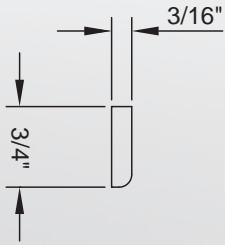


Accent

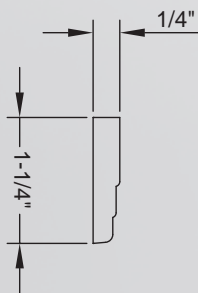
Moulding & Trim

Moulding priced by the linear foot and sold in 8' lengths

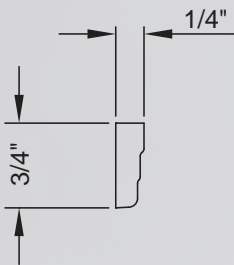
Shown actual size



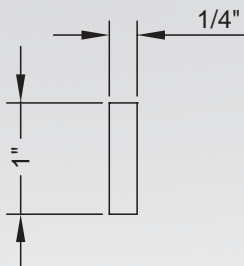
| SCRIBE1 | | | |
|---------|-------|------------------|--|
| Width | Depth | Carton Quantity: | |
| 3/4" | 3/16" | 320LF | Alder, Cherry, Hard Maple, Oak, Poplar |



| SCRIBE2 [†] | | | |
|----------------------|-------|------------------|------------------------|
| Width | Depth | Carton Quantity: | |
| 1-1/4" | 1/4" | 120LF | Alder, Hard Maple, Oak |



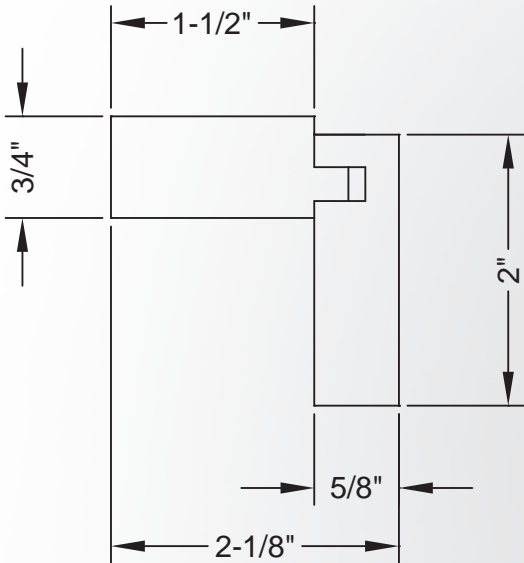
| SCRIBE3 [†] | | | |
|----------------------|-------|------------------|------------------------|
| Width | Depth | Carton Quantity: | |
| 3/4" | 1/4" | 160LF | Alder, Hard Maple, Oak |



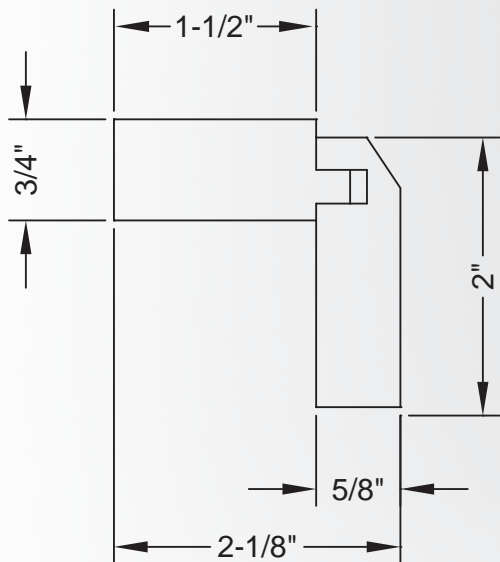
| SCRIBE7 | | | |
|---------|-------|------------------|--------------------|
| Width | Depth | Carton Quantity: | |
| 1" | 1/4" | 160LF | Hard Maple, Poplar |

Moulding priced by the linear foot and sold in 8' lengths

Shown actual size



| LR005 | | | |
|--------|-------|------------------|--|
| Width | Depth | Carton Quantity: | |
| 2-1/8" | 2" | 64LF | Alder, Cherry, Hard Maple, Oak, Poplar |



| LR006 | | | |
|--------|-------|------------------|---------------------------------|
| Width | Depth | Carton Quantity: | |
| 2-1/8" | 2" | 64LF | Cherry, Hard Maple, Oak, Poplar |

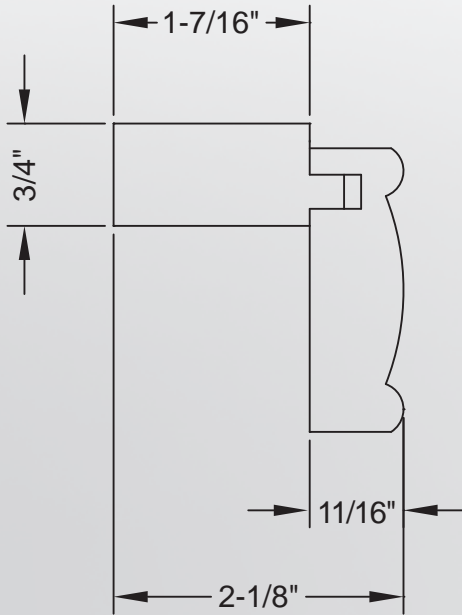


Light Rail

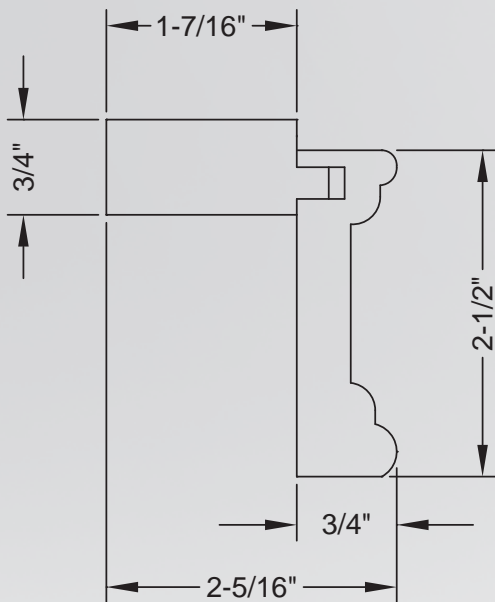
Moulding & Trim

Moulding priced by the linear foot and sold in 8' lengths

Shown actual size



| LR002 | | | |
|--------|---------|------------------|--|
| Width | Depth | Carton Quantity: | |
| 2-1/4" | 2-1/16" | 48LF | Alder, Cherry, Hard Maple, Oak, Poplar |



| LR003 ⁺ | | | |
|--------------------|---------|------------------|-------------------------|
| Width | Depth | Carton Quantity: | |
| 2-13/16" | 2-5/16" | 64LF | Hard Maple, Oak, Poplar |

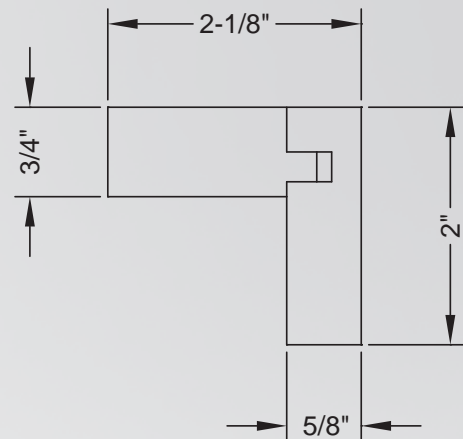
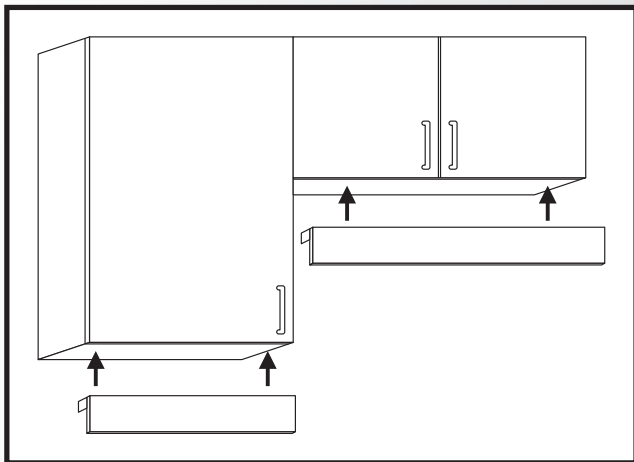


Moulding priced by the linear foot and sold in 8' lengths



*Designed for
Frameless
Cabinets*

| LR005-F | | | |
|--------------|--------------|------------------|---|
| <i>Width</i> | <i>Depth</i> | Carton Quantity: | <i>Alder, Cherry, Hard Maple, Oak, Poplar</i> |
| 2" | 2-1/8" | 64LF | |



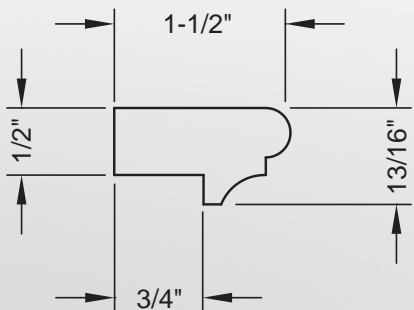


Light Rail, Shelf & Stemware

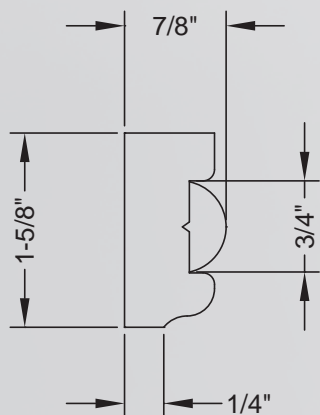
Moulding & Trim

Moulding priced by the linear foot and sold in 8' lengths

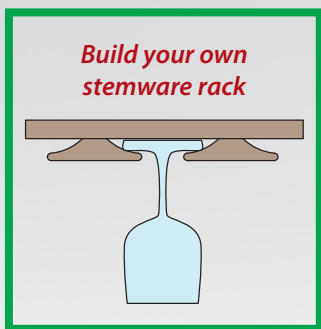
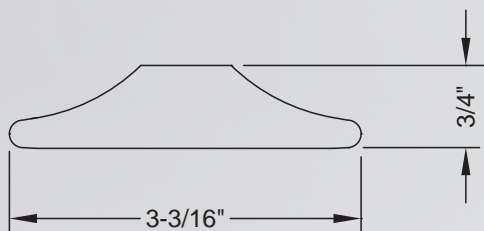
Shown actual size



| LR001 | | | |
|--------------|--------------|------------------|---|
| <i>Width</i> | <i>Depth</i> | Carton Quantity: | <i>Alder, Cherry, Hard Maple, Oak, Poplar</i> |
| 1-1/2" | 13/16" | 80LF | |



| SE1 [†] | | | |
|------------------|--------------|------------------|---------------------------------------|
| <i>Width</i> | <i>Depth</i> | Carton Quantity: | <i>Alder, Cherry, Hard Maple, Oak</i> |
| 1-5/8" | 7/8" | 120LF | |

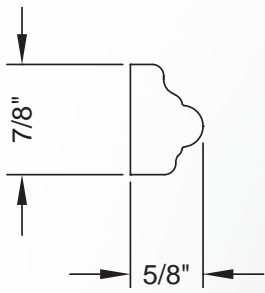


| STMW | | | |
|--------------|--------------|------------------|--------------------------|
| <i>Width</i> | <i>Depth</i> | Carton Quantity: | <i>Alder, Hard Maple</i> |
| 3-3/16" | 3/4" | 40LF | |

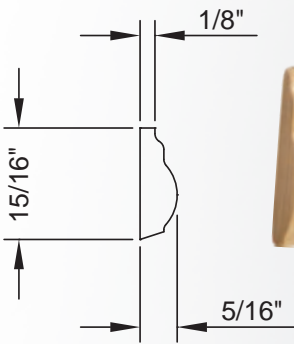


Moulding priced by the linear foot and sold in 8' lengths

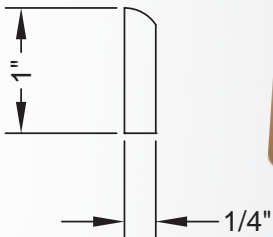
Shown actual size



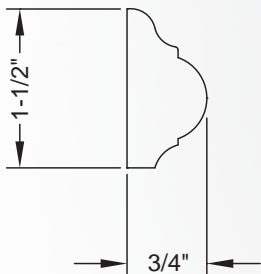
| BM1 | | | |
|--------------|--------------|------------------|---|
| <i>Width</i> | <i>Depth</i> | Carton Quantity: | <i>Alder, Cherry, Hard Maple, Oak, Poplar</i> |
| 7/8" | 5/8" | 120LF | |



| BM2 | | | |
|---------------|--------------|------------------|---|
| <i>Width</i> | <i>Depth</i> | Carton Quantity: | <i>Alder, Cherry, Hard Maple, Oak, Poplar</i> |
| 15/16" | 5/16" | 120LF | |



| BM3 | | | |
|--------------|--------------|------------------|---|
| <i>Width</i> | <i>Depth</i> | Carton Quantity: | <i>Alder, Cherry, Hard Maple, Oak, Poplar</i> |
| 1" | 1/4" | 120LF | |



| BM4 | | | |
|---------------|--------------|------------------|---|
| <i>Width</i> | <i>Depth</i> | Carton Quantity: | <i>Alder, Cherry, Hard Maple, Oak, Poplar</i> |
| 1-1/2" | 3/4" | 120LF | |



Face Frame Moulding

Moulding & Trim

Moulding priced by the linear foot and sold in 8' lengths

Hardware Resources' face frame material is made with the same materials as your customer's doors, making the color match process much easier and more consistent.

We produce and stock the face frame material in Bossier City, LA, therefore it can be shipped at the same time as door purchases.



NEW

| FACE150PGM | | | | |
|---------------|---------------|---------------|------------------|--------------------|
| | <i>Height</i> | <i>Length</i> | Carton Quantity: | |
| FACE150PGM-30 | 1-1/2" | 30" | 20LF | <i>Paint Grade</i> |
| FACE150PGM-96 | 1-1/2" | 96" | 64LF | |



NEW

| FACE300PGM | | | | |
|---------------|---------------|---------------|------------------|--------------------|
| | <i>Height</i> | <i>Length</i> | Carton Quantity: | |
| FACE300PGM-96 | 3" | 96" | 64LF | <i>Paint Grade</i> |



NEW

| FACE150HMP | | | | |
|---------------|---------------|---------------|------------------|-------------------|
| | <i>Height</i> | <i>Length</i> | Carton Quantity: | |
| FACE150HMP-30 | 1-1/2" | 30" | 20LF | <i>Hard Maple</i> |
| FACE150HMP-96 | 1-1/2" | 96" | 64LF | |



NEW

| FACE300HMP | | | | |
|---------------|---------------|---------------|------------------|-------------------|
| | <i>Height</i> | <i>Length</i> | Carton Quantity: | |
| FACE300HMP-96 | 3" | 96" | 64LF | <i>Hard Maple</i> |

Creative Column Transitions



CAP6-2

| Width | Depth | Height |
|---------|--------|----------|
| 3-7/16" | 1-3/4" | 4-13/16" |

Carton Quantity: 50

Alder, Cherry, Hard Maple, Oak, Rubberwood



CAP6-150

| Width | Depth | Height |
|--------|---------|--------|
| 2-5/8" | 1-5/16" | 3-5/8" |

Carton Quantity: 100

Alder, Cherry, Hard Maple, Oak, Rubberwood



CAP6-250

| Width | Depth | Height |
|---------|---------|--------|
| 4-7/16" | 2-3/16" | 5-7/8" |

Carton Quantity: 50

Alder, Cherry, Hard Maple, Oak, Rubberwood



SPLH150

| Width | Depth | Height |
|--------|---------|--------|
| 2-1/4" | 1-1/16" | 10" |

Carton Quantity: 50

Alder, Cherry, Hard Maple, Oak, Poplar



SPLH2

| Width | Depth | Height |
|--------|---------|--------|
| 2-3/4" | 1-5-16" | 10" |

Carton Quantity: 45

Alder, Cherry, Hard Maple, Oak, Poplar



SPLH250

| Width | Depth | Height |
|--------|---------|--------|
| 3-1/4" | 1-9/16" | 10" |

Carton Quantity: 40

Alder, Cherry, Hard Maple, Oak, Poplar



SPLICE150

| Width | Depth | Height |
|------------------|--------|--------|
| 2-1/4" | 1-1/8" | 2-1/2" |
| Carton Quantity: | | 50 |

Alder, Cherry, Hard Maple, Oak



SPLICE2

| Width | Depth | Height |
|------------------|--------|--------|
| 2-3/4" | 1-3/8" | 3" |
| Carton Quantity: | | 50 |

Alder, Cherry, Hard Maple, Oak



SPLICE250

| Width | Depth | Height |
|------------------|--------|--------|
| 3-1/4" | 1-5/8" | 3-1/2" |
| Carton Quantity: | | 50 |

Alder, Cherry, Hard Maple, Oak



TF150

| Width | Depth | Height |
|------------------|--------|--------|
| 2-1/4" | 1-1/8" | 3-1/2" |
| Carton Quantity: | | 100 |

Alder, Cherry, Hard Maple, Oak



TF2

| Width | Depth | Height |
|------------------|--------|--------|
| 2-3/4" | 1-3/8" | 4-1/2" |
| Carton Quantity: | | 100 |

Alder, Cherry, Hard Maple, Oak



TF250

| Width | Depth | Height |
|------------------|--------|--------|
| 3-1/4" | 1-5/8" | 5-1/2" |
| Carton Quantity: | | 100 |

Alder, Cherry, Hard Maple, Oak, Rubberwood



CMD150[†]

| Width | Depth | Lengths |
|------------------|--------|-------------|
| 1-1/2" | 11/16" | 36"/42"/96" |
| Carton Quantity: | | 4 Lengths |

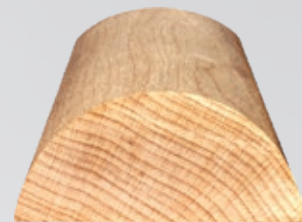
Alder, Cherry, Hard Maple, Oak,
Poplar



CMD2[†]

| Width | Depth | Lengths |
|------------------|-------|-------------|
| 2" | 7/8" | 36"/42"/96" |
| Carton Quantity: | | 4 Lengths |

Cherry, Hard Maple, Oak, Poplar



CMD250[†]

| Width | Depth | Lengths |
|------------------|--------|-------------|
| 2-9/16" | 1-1/8" | 36"/42"/96" |
| Carton Quantity: | | 4 Lengths |

Alder, Cherry, Hard Maple, Oak,
Poplar



These products are being retired.
Check availability online or call for products marked with "†".



CMR150[†]

| Width | Depth | Lengths |
|------------------|---------|-------------|
| 1-1/2" | 1 1/16" | 36"/42"/96" |
| Carton Quantity: | | 4 Lengths |

Alder, Cherry, Hard Maple, Oak,
Poplar



CMR2[†]

| Width | Depth | Lengths |
|------------------|-------|-------------|
| 2" | 7/8" | 36"/42"/96" |
| Carton Quantity: | | 4 Lengths |

Alder, Cherry, Hard Maple, Oak,
Poplar



CMR250[†]

| Width | Depth | Lengths |
|------------------|--------|-------------|
| 2-1/2" | 1-1/8" | 36"/42"/96" |
| Carton Quantity: | | 4 Lengths |

Alder, Cherry, Hard Maple, Oak,
Poplar



CMS150[†]

| Width | Depth | Lengths |
|------------------|-------|-------------|
| 1-1/2" | 5/8" | 36"/42"/96" |
| Carton Quantity: | | 4 Lengths |

Alder, Cherry, Hard Maple, Oak, Poplar

CMS2[†]

| Width | Depth | Lengths |
|------------------|-------|-------------|
| 2" | 7/8" | 36"/42"/96" |
| Carton Quantity: | | 4 Lengths |

Alder, Cherry, Hard Maple, Oak, Poplar

CMS250[†]

| Width | Depth | Lengths |
|------------------|--------|-------------|
| 2-1/2" | 1-1/8" | 36"/42"/96" |
| Carton Quantity: | | 4 Lengths |

Alder, Cherry, Hard Maple, Oak, Poplar



These products are being retired.
Check availability online or call for products marked with "†".



RMH150

| <i>Width</i> | <i>Depth</i> | <i>Lengths</i> |
|--|--------------|----------------|
| 1-1/2" | 11/16" | 36"/42"/96" |
| Carton Quantity: | | 10 Lengths |
| Alder, Cherry, Hard Maple, Oak, Poplar | | |

RMH2

| <i>Width</i> | <i>Depth</i> | <i>Lengths</i> |
|--|--------------|----------------|
| 2" | 1-1/16" | 36"/42"/96" |
| Carton Quantity: | | 5 Lengths |
| Alder, Cherry, Hard Maple, Oak, Poplar | | |

RMH250

| <i>Width</i> | <i>Depth</i> | <i>Lengths</i> |
|--|--------------|----------------|
| 2-1/2" | 1-1/4" | 36"/42"/96" |
| Carton Quantity: | | 4 Lengths |
| Alder, Cherry, Hard Maple, Oak, Poplar | | |

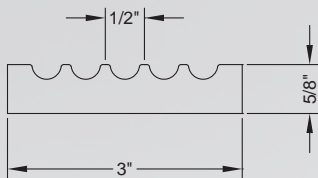


| RMH150B | | |
|--|-------|-----------|
| Width | Depth | Length |
| 1-1/2" | 5/8" | 96" |
| Carton Quantity: | | 4 Lengths |
| Alder, Cherry, Hard Maple, Oak, Poplar | | |

| RMH2B | | |
|--|--------|-----------|
| Width | Depth | Length |
| 2" | 15/16" | 96" |
| Carton Quantity: | | 4 Lengths |
| Alder, Cherry, Hard Maple, Oak, Poplar | | |

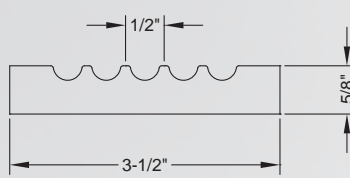
| RMH250B | | |
|--|--------|-----------|
| Width | Depth | Length |
| 2-1/2" | 1-1/4" | 96" |
| Carton Quantity: | | 4 Lengths |
| Alder, Cherry, Hard Maple, Oak, Poplar | | |

36" and 42" lengths available by special order.



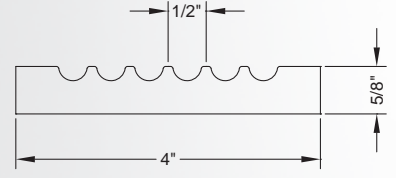
| FLT2 [†] | | |
|-------------------|-------|--------|
| Width | Depth | Length |
| 3" | 5/8" | 96" |
| Carton Quantity: | | 80LF |

Alder, Cherry, Oak, Poplar



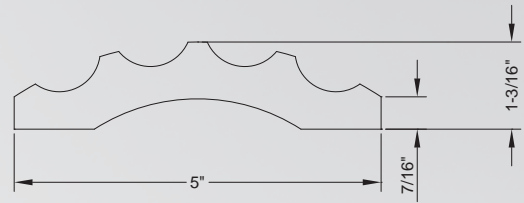
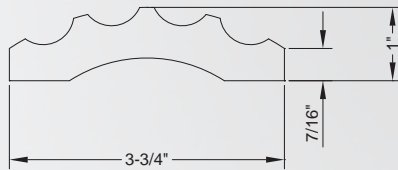
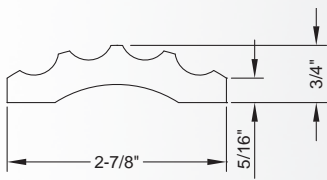
| FLT3 [†] | | |
|-------------------|-------|--------|
| Width | Depth | Length |
| 3-1/2" | 5/8" | 96" |
| Carton Quantity: | | 80LF |

Alder, Cherry, Hard Maple, Oak, Poplar



| FLT4 [†] | | |
|-------------------|-------|--------|
| Width | Depth | Length |
| 4" | 5/8" | 96" |
| Carton Quantity: | | 80LF |

Alder, Cherry, Hard Maple, Oak, Poplar



FLTC2

| Width | Depth | Length |
|--------|-------|--------|
| 2-7/8" | 3/4" | 96" |

Carton Quantity: 80LF

Hard Maple

FLTC3

| Width | Depth | Length |
|--------|-------|--------|
| 3-3/4" | 1" | 96" |

Carton Quantity: 80LF

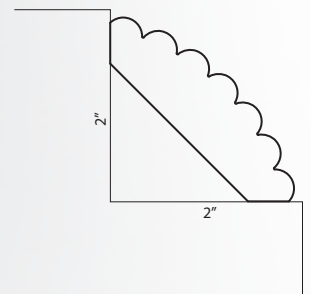
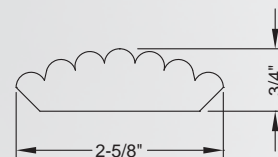
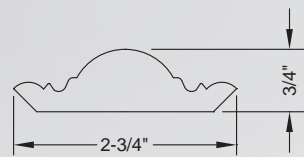
Hard Maple

FLTC4

| Width | Depth | Length |
|-------|---------|--------|
| 5" | 1-3/16" | 96" |

Carton Quantity: 48LF

Hard Maple



CC4

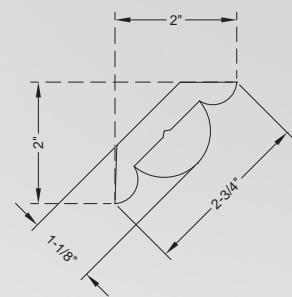
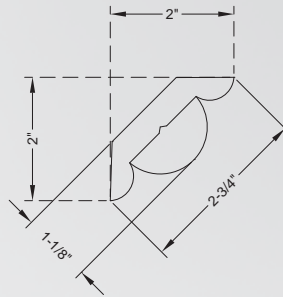
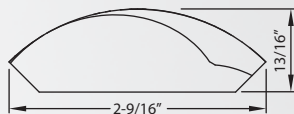
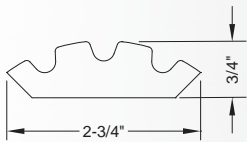
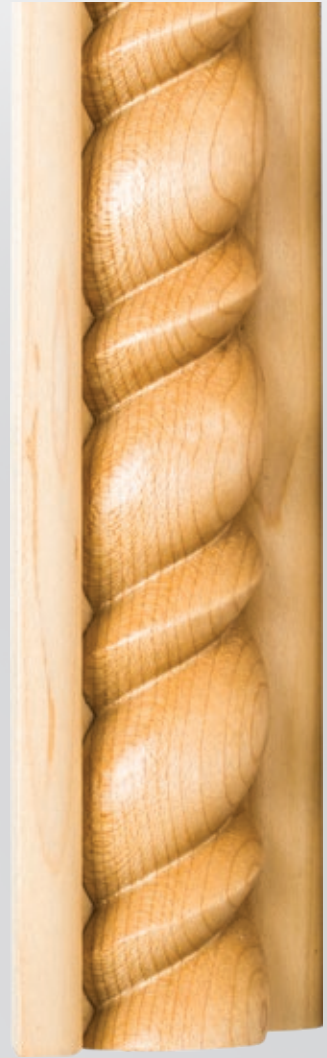
| Width | Depth | Length |
|------------------|-------|--------|
| 2-3/4" | 3/4" | 96" |
| Carton Quantity: | | 120LF |

Alder, Cherry, Hard Maple, Oak,
Poplar

CC5

| Width | Depth | Length |
|------------------|-------|--------|
| 2-5/8" | 3/4" | 96" |
| Carton Quantity: | | 120LF |

Alder, Cherry, Hard Maple, Oak,
Poplar



CC1

| Width | Depth | Length |
|------------------|-------|--------|
| 2-3/4" | 3/4" | 96" |
| Carton Quantity: | | 80LF |

Alder, Cherry, Hard Maple, Oak, Poplar

CC2

| Width | Depth | Length |
|------------------|-------|--------|
| 2-11/16" | 7/8" | 96" |
| Carton Quantity: | | 80LF |

Alder, Ash, Cherry, Hard Maple, Oak, Poplar

MC5

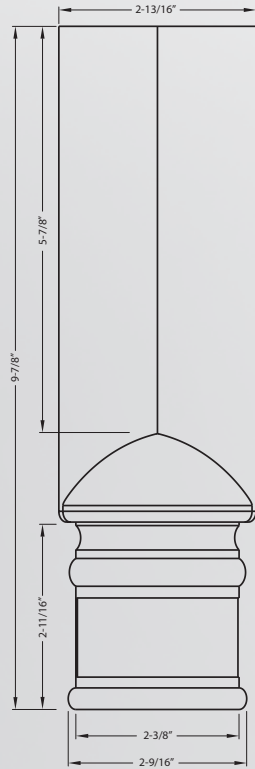
| Width | Depth | Length |
|------------------|--------|--------|
| 2-3/4" | 1-1/8" | 96" |
| Carton Quantity: | | 80LF |

Alder, Cherry, Hard Maple, Oak, Poplar

MC5B

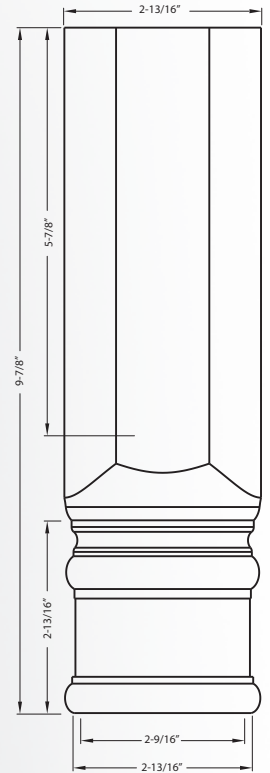
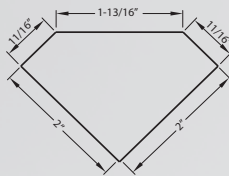
| Width | Depth | Length |
|------------------|---------|--------|
| 2-3/4" | 1-1/16" | 96" |
| Carton Quantity: | | 80LF |

Alder, Cherry, Hard Maple, Oak, Poplar



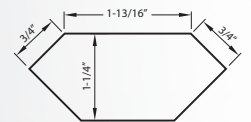
| TB1 | | |
|------------------|--------|--------|
| Width | Depth | Height |
| 2-7/8" | 1-7/8" | 9-7/8" |
| Carton Quantity: | | 50 |

Alder, Cherry, Hard Maple, Oak, Rubberwood

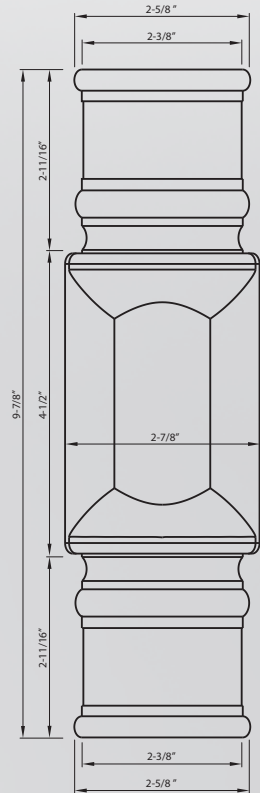
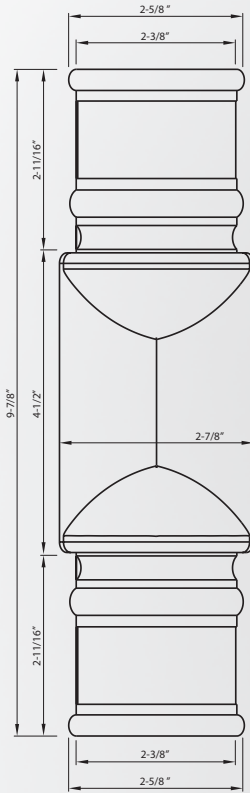


| TB1A | | |
|------------------|--------|--------|
| Width | Depth | Height |
| 2-13/16" | 1-1/4" | 9-7/8" |
| Carton Quantity: | | 50 |

Alder, Cherry, Hard Maple, Oak, Rubberwood



Transition Blocks

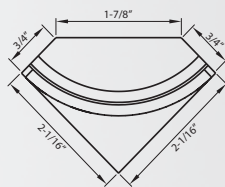


TB5

| Width | Depth | Height |
|--------|-------|--------|
| 2-7/8" | 2" | 9-7/8" |

Carton Quantity: 50

Alder, Cherry, Hard Maple, Oak, Rubberwood

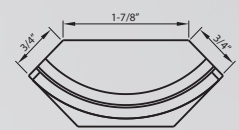


TB5A

| Width | Depth | Height |
|--------|-------|--------|
| 2-7/8" | 2" | 9-7/8" |

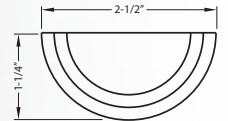
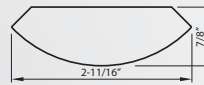
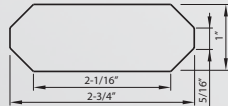
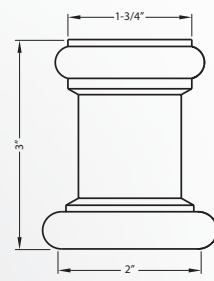
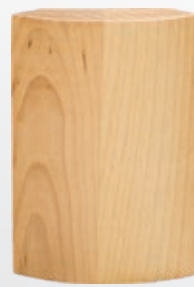
Carton Quantity: 50

Alder, Cherry, Hard Maple, Oak, Rubberwood



Transition Blocks

Moulding & Trim

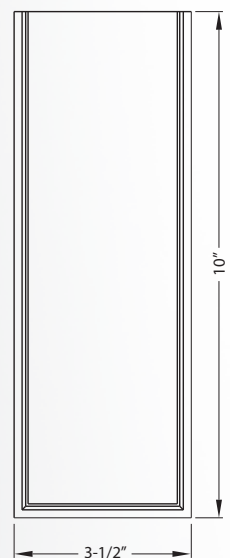
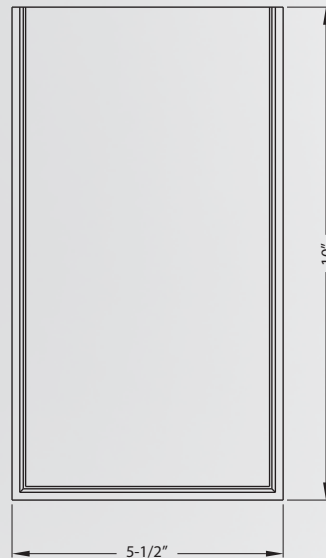
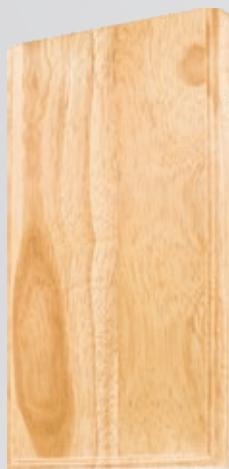


| TB4 | | |
|---|-------|--------|
| Width | Depth | Height |
| 2-3/4" | 1" | 4" |
| Carton Quantity: | | 50 |
| <i>Alder, Cherry, Hard Maple, Oak, Poplar</i> | | |

| TB3 | | |
|---|-------|--------|
| Width | Depth | Height |
| 2-11/16" | 7/8" | 4" |
| Carton Quantity: | | 100 |
| <i>Alder, Cherry, Hard Maple, Oak, Poplar</i> | | |

| SPOL1 | | |
|---------------------------------------|--------|--------|
| Width | Depth | Height |
| 2-1/2" | 1-1/4" | 3" |
| Carton Quantity: | | 100 |
| <i>Cherry, Hard Maple, Rubberwood</i> | | |

| TB7 | | |
|-------------------------------|--------|---------|
| Width | Depth | Height |
| 2-1/4" | 1-1/8" | 11-1/4" |
| Carton Quantity: | | 50 |
| <i>Hard Maple, Rubberwood</i> | | |



| PLN1 | | |
|-------------------|-------|--------|
| Width | Depth | Height |
| 5-1/2" | 7/8" | 10" |
| Carton Quantity: | | 20 |
| <i>Rubberwood</i> | | |

| PLN2 | | |
|-------------------|-------|--------|
| Width | Depth | Height |
| 3-1/2" | 7/8" | 10" |
| Carton Quantity: | | 25 |
| <i>Rubberwood</i> | | |

Moulding Cornice Blocks



Outside Cornice Block

Inline Cornice Block

Inside Cornice Block

MCB-3

| Width | Depth | Height |
|-------|-------|--------|
| 4" | 4" | 6-1/4" |

Carton Quantity: 20
Rubberwood

MCB-1

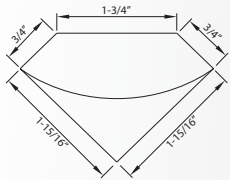
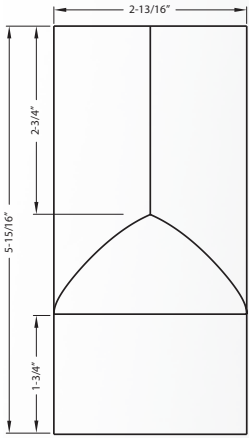
| Width | Depth | Height |
|-------|-------|--------|
| 3" | 3" | 6-1/4" |

Carton Quantity: 20
Rubberwood

MCB-2

| Width | Depth | Height |
|-------|-------|--------|
| 3" | 3" | 6-1/4" |

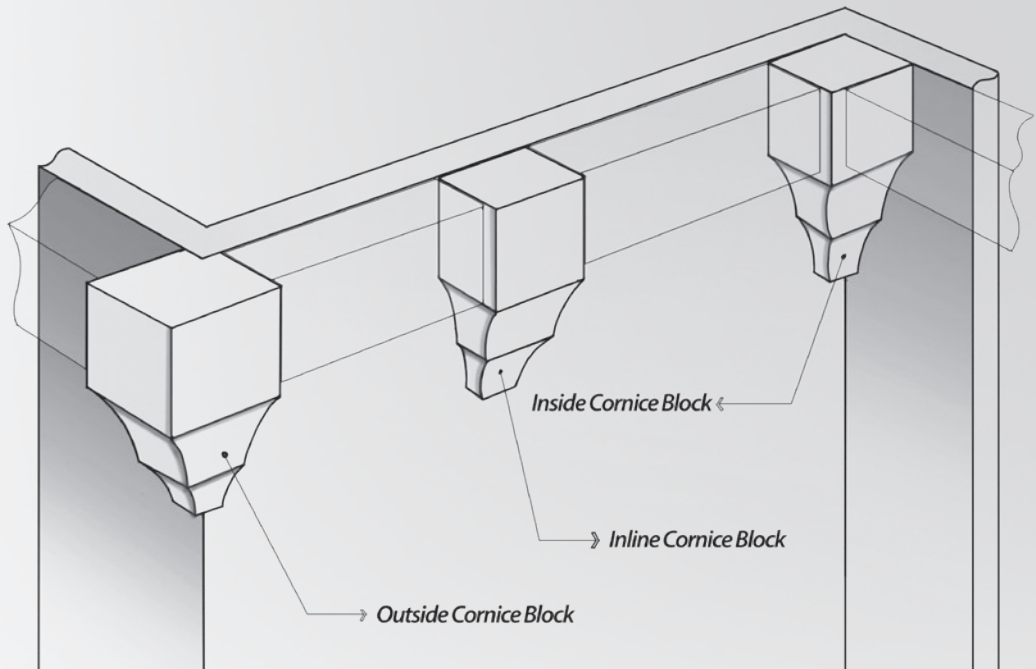
Carton Quantity: 20
Rubberwood



TB2

| Width | Depth | Height |
|----------|--------|----------|
| 2-13/16" | 1-7/8" | 5-15/16" |

Carton Quantity: 50
Alder, Cherry, Hard Maple, Oak, Rubberwood





ROS1

| Width | Depth | Height |
|------------------|-------|--------|
| 3" | 7/8" | 3" |
| Carton Quantity: | | 100 |

Alder, Hard Maple, Oak



ROS2

| Width | Depth | Height |
|------------------|-------|--------|
| 3" | 7/8" | 3" |
| Carton Quantity: | | 100 |

Alder, Hard Maple



ROS3

| Width | Depth | Height |
|------------------|--------|--------|
| 3-1/2" | 1-1/8" | 3-1/2" |
| Carton Quantity: | | 100 |

Alder, Hard Maple, Oak



ROS6

| Width | Depth | Height |
|------------------|-------|--------|
| 5-1/2" | 7/8" | 5-1/2" |
| Carton Quantity: | | 30 |

Rubberwood



ROS5

| Width | Depth | Height |
|------------------|-------|--------|
| 3-1/2" | 7/8" | 3-1/2" |
| Carton Quantity: | | 100 |

Rubberwood



ROS4

| Width | Depth | Height |
|------------------|-------|--------|
| 4" | 1" | 4" |
| Carton Quantity: | | 100 |

Hard Maple, Oak, Poplar



SROS1

| Width | Depth | Height |
|------------------|-------|--------|
| 3" | 7/8" | 3" |
| Carton Quantity: | | 100 |

Alder, Hard Maple,
Rubberwood, White Birch



SROS2

| Width | Depth | Height |
|------------------|-------|--------|
| 3-1/2" | 7/8" | 3-1/2" |
| Carton Quantity: | | 100 |

Alder, Hard Maple,
Rubberwood, White Birch



SROS3

| Width | Depth | Height |
|------------------|-------|--------|
| 4" | 7/8" | 4" |
| Carton Quantity: | | 50 |

Alder, Hard Maple,
Rubberwood, White Birch



FDLROS1

| Width | Depth | Height |
|------------------|-------|--------|
| 3" | 7/8" | 3" |
| Carton Quantity: | | 100 |

Alder, Cherry, Hard Maple,
Oak, Rubberwood



FDLROS2

| Width | Depth | Height |
|------------------|-------|--------|
| 3-1/2" | 7/8" | 3-1/2" |
| Carton Quantity: | | 100 |

Alder, Cherry, Hard Maple,
Oak, Rubberwood



FDLROS3

| Width | Depth | Height |
|------------------|-------|--------|
| 4" | 7/8" | 4" |
| Carton Quantity: | | 50 |

Alder, Cherry, Hard Maple,
Oak, Rubberwood

Dovetail Drawer Boxes



Our drawer boxes are made in our state-of-the-art Bossier City, Louisiana facility. Using the best equipment and workers, we create drawers that will complete your project and add quality and value to your jobs. Complimentary laser engraving of your logo inside drawer boxes.



Ordering specifications:

- Standard Drawer, Rollout, or High-Back Rollout Boxes
- Assembled or Unassembled
- Standard Heights with Custom Depth & Width
- 1/4" Standard or 1/2" Bottom
- Optional Universal Notch for Undermount Slides
- Optional Undermount Slide Clip factory installed

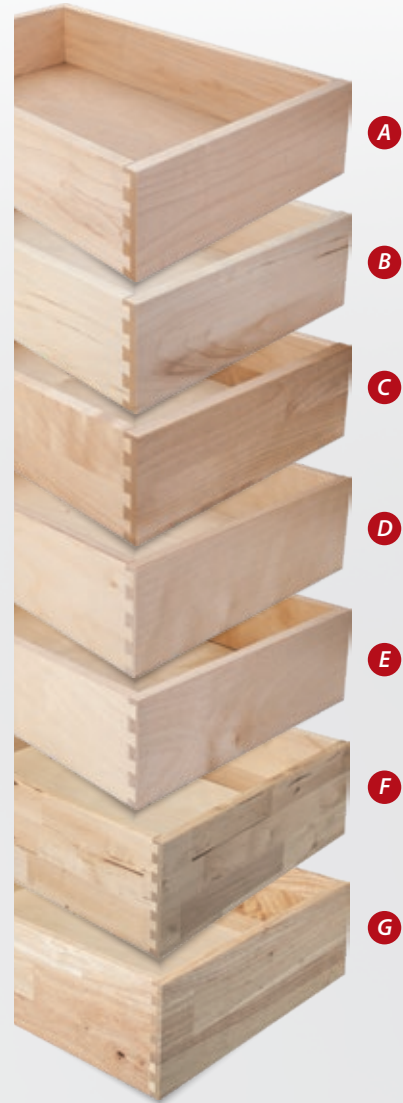
Easy Online
Ordering &
Instant Price
Quoting

See website
for details

Production and delivery:

- Competitive pricing
- Standard 7 Day Turnaround after order confirmation
- Quick-to-Ship production on qualifying states

- A** 5/8" Hard Maple UV Coated or Unfinished
- B** 5/8" Aspen UV Coated
- C** 5/8" White Birch, Imported, Finger Jointed..... UV Coated
- D** 1/2" Birch Plywood UV Coated or Unfinished
- E** 1/2" Birch Plywood Edgebanded UV Coated
- F** 5/8" Rustic White Birch, Imported, Finger Jointed.. UV Coated
- G** 5/8" Rubberwood, Imported, Finger Jointed UV Coated

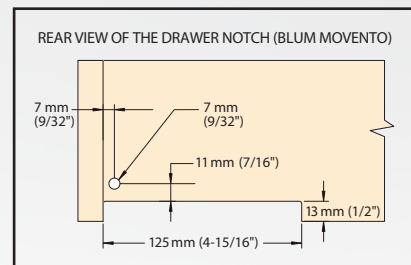
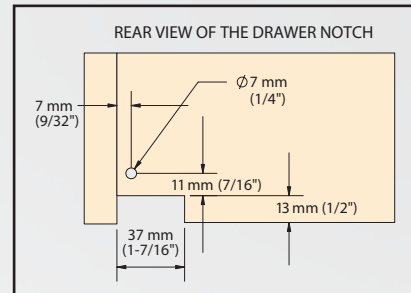


| HEIGHT OPTIONS | 2" | 2.5" | 3" | 3.5" | 4" | 5" | 6" | 7" | 8" | 9" | 9.5" | 10" | 11" | 12" |
|-------------------------|----|------|----|------|----|----|----|----|----|----|------|-----|-----|-----|
| 1/2" Birch Plywood | x | x | x | x | x | x | x | x | x | x | x | x | x | x |
| 1/2" Edgebanded Plywood | | x | x | | x | x | x | x | x | x | | x | x | |
| 5/8" Hardwoods | x | x | x | x | x | x | x | x | x | x | x | x | x | x |
| High-Back (all species) | | | | | | | x | x | x | x | x | x | x | x |

*All high-back drawers will have a 3" front and a scoop cutout on the front face. 6" minimum height.

| SIZING | Min. Depth | Max Depth | Min. Width (without clips) | Min. Width (with 4 & 6-way clips) | Min. Width (with 2-way clips) | Max Width | Min. Height |
|-------------------|------------|-----------|----------------------------|-----------------------------------|-------------------------------|-----------|-------------|
| Standard Drawer | | | | | | | |
| 5/8" Material | 7" | 51" | 6" | 7-1/4" | 6-1/4" | 51" | 2" |
| 1/2" Material | 7" | 51" | 6" | 7" | 6" | 51" | 2" |
| Rollout Drawer | | | | | | | |
| 5/8" Material | 7" | 51" | 6" | 7-1/4" | 6-1/4" | 51" | 2" |
| 1/2" Material | 7" | 51" | 6" | 7" | 6" | 51" | 2" |
| High-Back Rollout | | | | | | | |
| 5/8" Material | 12" | 51" | 5-1/2" | 7-1/4" | 6-1/4" | 51" | 6" |
| 1/2" Material | 12" | 51" | 5-1/2" | 7" | 6" | 51" | 6" |

Drawer boxes are manufactured in the USA by Hardware Resources. Hard Maple and Aspen are North American hardwoods. White Birch, Rustic White Birch, and Rubberwood are imported A/B grade hardwood, laminated & finger jointed. Birch plywood is Carb Compliant 9-ply high density plywood with no internal voids. UV cured coating is 100% solid and contains no VOC. Each UV coated piece is double coated to ensure a lasting finish.





Rollouts & High-Back Rollouts



Rollout

High-Back Rollout
(minimum 6" height)

Finger joints may be visible on top edge of box for White Birch

Drawer Box Linear Material



White Birch, Finger Jointed

| | Height | Thickness | Coating | Ctn Qty |
|----------|--------|-----------|-----------|---------|
| DW58X030 | 3" | 5/8" | UV Coated | 80LF |
| DW58X035 | 3-1/2" | 5/8" | UV Coated | 80LF |
| DW58X040 | 4" | 5/8" | UV Coated | 80LF |
| DW58X060 | 6" | 5/8" | UV Coated | 40LF |
| DW58X080 | 8" | 5/8" | UV Coated | 40LF |
| DW58X100 | 10" | 5/8" | UV Coated | 40LF |

White Birch drawer box linear material is sold in 8' lengths in full carton quantity only

Aspen

| | Height | Thickness | Coating | Ctn Qty |
|----------|--------|-----------|-----------|---------|
| DA58X030 | 3" | 5/8" | UV Coated | 80LF |
| DA58X040 | 4" | 5/8" | UV Coated | 80LF |
| DA58X060 | 6" | 5/8" | UV Coated | 72LF |
| DA58X080 | 8" | 5/8" | UV Coated | 56LF |
| DA58X100 | 10" | 5/8" | UV Coated | 56LF |

Aspen drawer box linear material is sold in random lengths of 5' - 8'

Custom Tray Organizers



Rollout Box



Drawer Slide
(Pg 112-113)



QuickTray Pilaster System
(Pg 119)



CUSTOMIZED STORAGE SOLUTIONS



Pots & Lids



Custom Tray Organizers

Drawer
Boxes

Maximize your kitchen with custom storage solutions. Our custom order-to-size rollouts are manufactured in our plant in Louisiana. Add our best-selling 303FU Series drawer slides and our QuickTray pilaster system, and you can create custom storage solutions for your customers. Great for pantries, pot and lid storage, small kitchen appliances and miscellaneous kitchen wares. Customizable for any size cabinet, existing or new construction. Pg 568-569



Storage



Pantry

Skip the *measure...design...wait...* process

- Order rollout drawers that are **IN STOCK**
- Ships same day – Receive it in 2-3 days
- Ships fully assembled
- Easily and quickly installs with four screws (included)
- For existing cabinets or new construction
- Designed to fit standard cabinet sizes



| | Width | Depth | Height | Bottom | Minimum Opening | Standard Cab. Size |
|------------|----------|----------|--------|--------|-----------------|--------------------|
| RO12-WB | 10-1/4" | 21-1/4" | 7" | 1/4" | 12" | 15" base |
| RO15-WB | 13-1/4" | 21-1/4" | 7" | 1/4" | 15" | 18" base |
| RO18-WB | 16-1/4" | 21-1/4" | 7" | 1/4" | 18" | 21" base |
| RO21-WB | 19-1/4" | 21-1/4" | 7" | 1/4" | 21" | 24" base |
| RO24-WB | 22-1/16" | 21-1/4" | 7" | 1/2" | 24" | 30" base |
| RO27-WB | 25-1/16" | 21-1/4" | 7" | 1/2" | 27" | 30" base |
| RO33-WB | 31-1/16" | 21-1/4" | 7" | 1/2" | 33" | 36" base |
| ROVHB12-WB | 10-1/16" | 18-7/16" | 9" | 1/4" | 12" | 15" vanity |
| ROVHB15-WB | 13-1/16" | 18-7/16" | 9" | 1/4" | 15" | 18" vanity |
| ROVHB18-WB | 16-1/16" | 18-7/16" | 9" | 1/4" | 18" | 21" vanity |



Beautiful White Birch dovetail boxes with UV coating

Drawer boxes are built in our plant in the USA
 Featuring concealed undermount 3/4 extension Soft-close slides
 75lb weight capacity

For your Bath

- Reclaim the space in bathroom cabinets
- 18" depth designed for bath cabinets
- Use multiple rollouts for wide cabinets

High-Back Drawers - 8" Back & 3" Front Drawer Height



For 12" opening
ROVHB12-WB



For 15" opening
ROVHB15-WB



For 18" opening
ROVHB18-WB



ROVHB15-WB & ROVHB12-WB shown in use

For your Kitchen

Rollout Drawers - 6" Drawer Height



For 12" opening
RO12-WB

For 15" opening
RO15-WB

For 18" opening
RO18-WB

For 21" opening
RO21-WB



For 24" opening
RO24-WB
1/2" bottom panel

For 27" opening
RO27-WB
1/2" bottom panel

For 33" opening
RO33-WB
1/2" bottom panel



RO18-WB shown in use



It's That Easy!



1 Measure

Measure the cabinet's interior width, depth and height. Hold your tape parallel to the cabinet's walls. Note any pipes, shelves, or hinges that may affect actual available space.



2 Set

Set your drawer base in place making sure you can open and close the cabinet door easily.



3 Secure

Using your Phillips screwdriver (or drill) and the screws provided, secure your organizer base. Place the drawer back on the base, and you're all done!

All you need:

Phillips Screwdriver

Cordless Drill



OR

Measuring Tape



Scan to watch the
product video
<http://delivr.com/2uf4p>



Dovetail Drawer Boxes



Complimentary High Definition Laser Engraving on Hardwood Boxes

(upcharge per box for plywood)

Simply provide a high-resolution file of your logo. We'll do the rest!

Accepted file types are EPS, AI, PDF, PSD, JPEG, TIFF.

Maximum logo size is 1-1/2" tall x 6" long. Minimum box height for engraving is 3".

Not available on high-back rollouts or boxes over 24" deep.

Placed on the front left inside edge of the box.

One logo per customer. Logos are kept on file for future orders

Don't have a logo? Choose from our preselected fonts to customize your company name.

Calculating Drawer Box Sizes for Ordering

5/8" Hardwood Drawer Side Material

WIDTH

- When using Hardware Resources (HR) undermount slides, use this calculation:
 $\text{OVERALL WIDTH} = \text{DRAWER OPENING MINUS } 3/8"$.
- When using HR ball bearing or epoxy slides, $\text{OVERALL WIDTH} = \text{DRAWER OPENING MINUS } 1"$.
- When using another manufacturer's slide, follow the manufacturer's slide specifications using 5/8" drawer side material to calculate Overall Width.

HEIGHT

- When using HR undermount slides, $\text{OVERALL HEIGHT} = \text{DRAWER OPENING MINUS } 3/4"$.

LENGTH

- When using HR undermount slides, the OVERALL LENGTH should equal the corresponding slide length (example: if using the USE21 the drawer depth would be 21").
- When using another manufacturer's slide, follow the manufacturer's slide specifications using 5/8" drawer side material to calculate Overall Length.

1/2" Plywood Drawer Side Material

WIDTH

- When using HR undermount slides, $\text{OVERALL WIDTH} = \text{DRAWER OPENING MINUS } 5/8"$.
- When using HR ball bearing or epoxy slides, $\text{OVERALL WIDTH} = \text{DRAWER OPENING MINUS } 1"$.
- When using another manufacturer's slide, follow the manufacturer's slide specifications using 1/2" drawer side material to calculate Overall Width.

HEIGHT

- When using HR undermount slides, $\text{OVERALL HEIGHT} = \text{DRAWER OPENING MINUS } 3/4"$.

LENGTH

- When using HR undermount slides, the OVERALL LENGTH of the box is the corresponding slide length MINUS 1/8" (example: 20-7/8" on a 21" slide).
- When using another manufacturer's slide, follow the manufacturer's slide specifications using 1/2" drawer side material to calculate Overall Length.

Cabinet Doors and Drawer Fronts With Your Style in Mind



Choose Your:

- Cabinet Door Frame Profile
- Door Panel Profile
- Drawer Frame or Slab Profile
- Species for Finish
- Custom Size



Frame Shown: F01



Frame Shown: F29



Frame Shown: F71



Frame Shown: F14



Frame Shown: F31



Frame Shown: F43

Mitered Cabinet Doors & Drawer Fronts

Additional frame profiles, panels, species, and options available



Frame Shown: F04

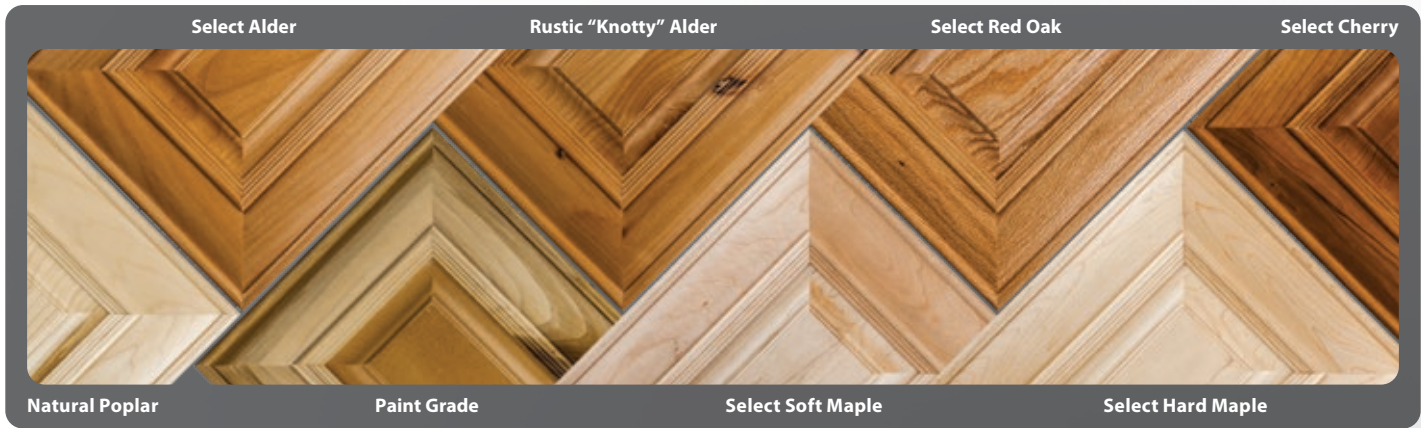


Frame Shown: F13



Frame Shown: F37

Species Options



- Made in our state-of-the-art facility in Bossier City, Louisiana
- Quick shipping within the United States (ships in 5 days)
- Quality control maintained by skilled craftspeople
- Combine with custom drawer box or hardware orders



How to Order:

Ask your local sales rep for a Door catalog or view it on our website.

To place an order, contact Customer Service at 1-800-463-0660
or via email at CustomerService@HardwareResources.com