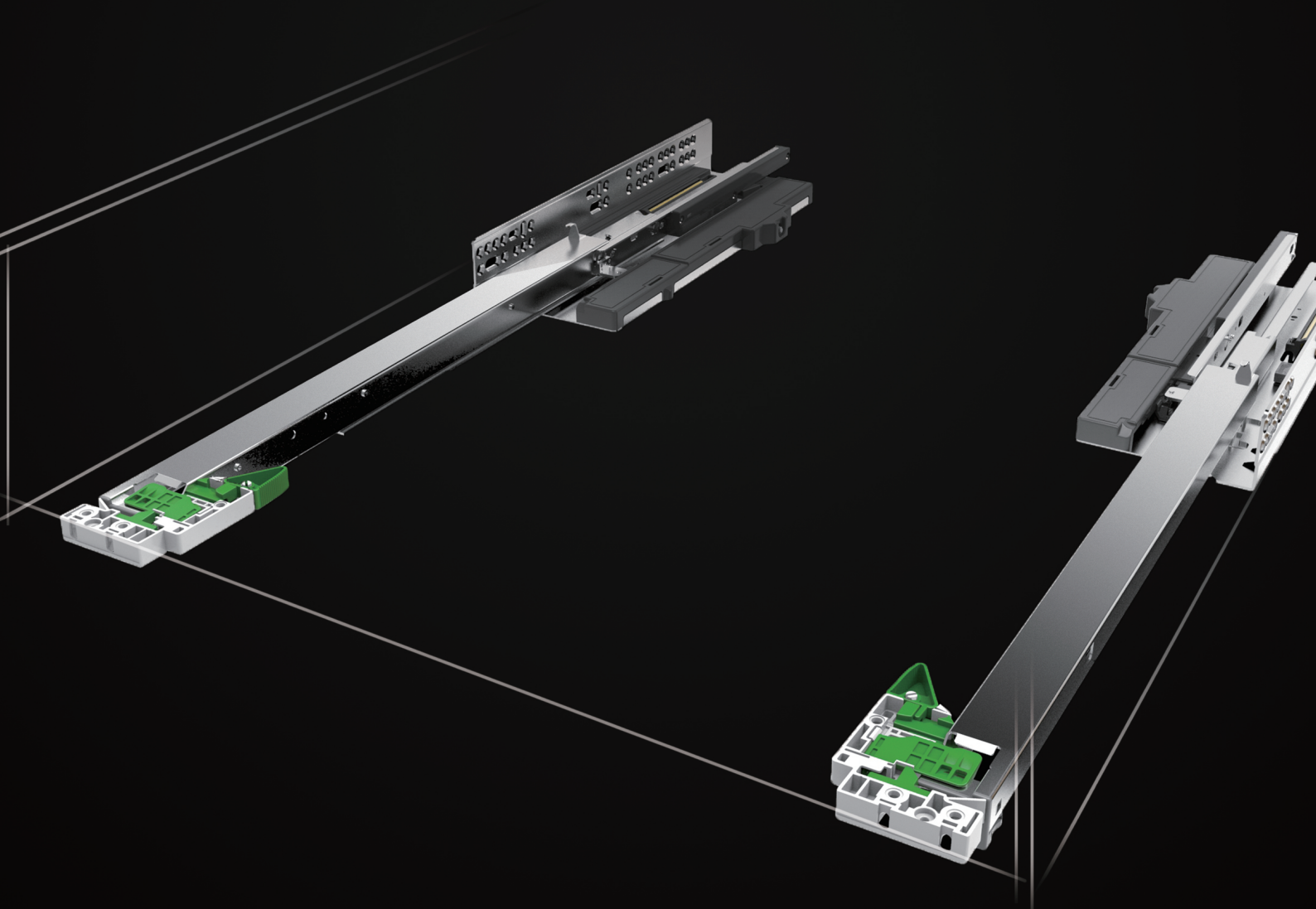


# PERFECT MOTION UNDERMOUNTING SLIDES - R DRAWER SLIDES

R drawer slides catalogue

---



## RT drawer slide - RT213 (Synchronised motion)

Locking bracket; Soft-close; Full extension; 3-D adjustment; 16mm drawer



- Soft-close
- Full extension
- Galvanized sheet
- Loading capacity is 35 KG
- Length from 250-550mm
- 0-3mm height adjustment
- $\pm 1.5$ mm right/left adjustment
- 0-5mm depth adjustment on slide

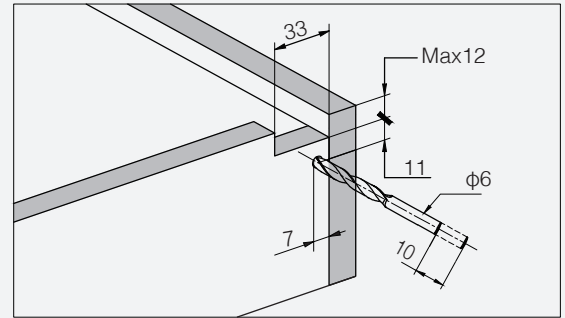
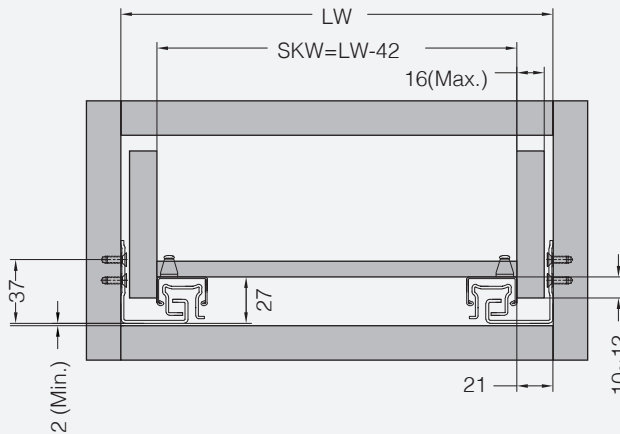
### Order information

NL	Item No.	Package	Remark
250	RT213-250	10 sets	Package includes A. Left & right drawer slide B. Locking devices
300	RT213-300	10 sets	
350	RT213-350	10 sets	
400	RT213-400	10 sets	
450	RT213-450	10 sets	
500	RT213-500	10 sets	
550	RT213-550	10 sets	

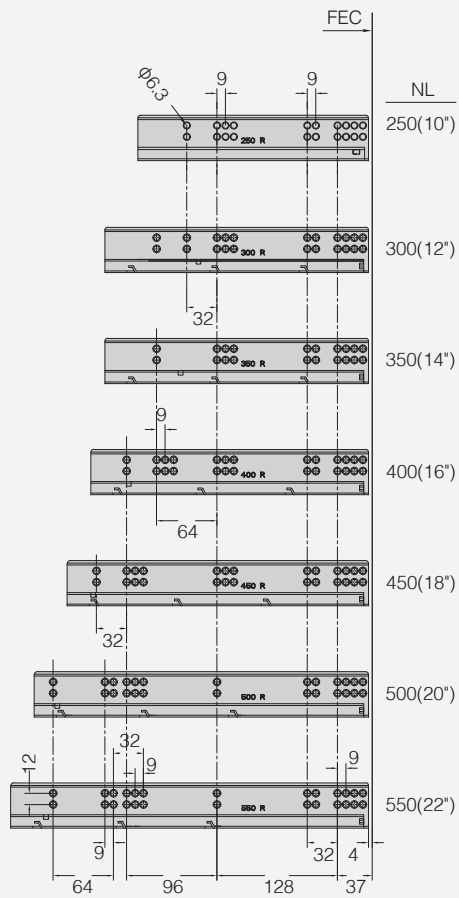
\* For 18mm drawer, please contact us for more information

**Technical information**

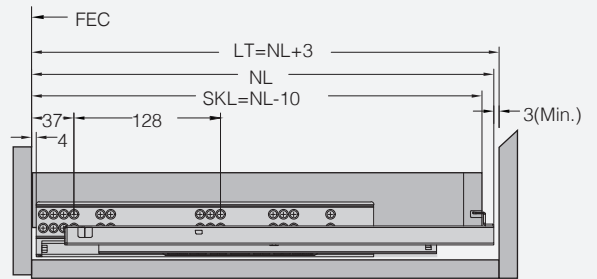
**Installation dimensions**



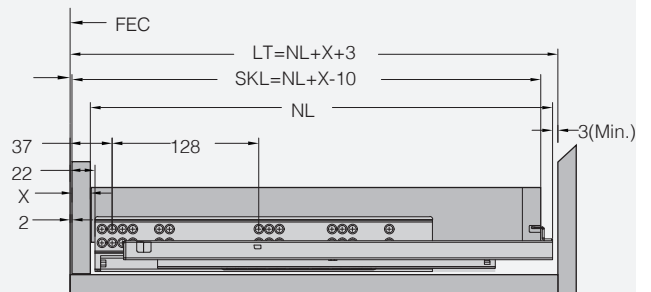
**Fixing positions for slide**



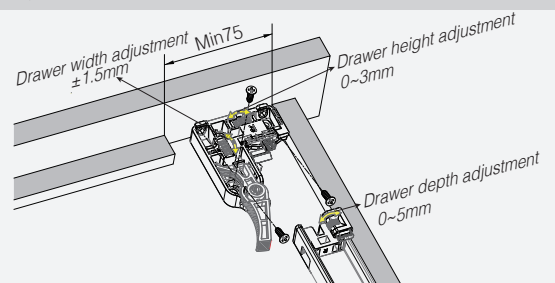
**Drawer**



**Inset drawer**



**Drawer adjustment**

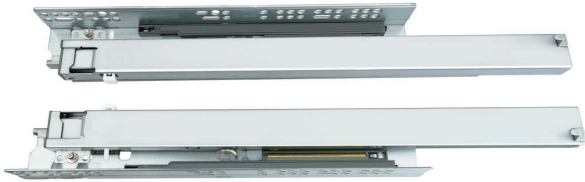


**Legend**

LW	Internal cabinet width	SKL	Length of drawer	X	Thickness of door	NL	Nominal length
SKW	Internal drawer width	LT	Minimum installation depth	FEC	Front edge of cabinet		

## RT drawer slide - RP212 (Synchronised motion)

Locking pin;Soft-close; Full extension; 2-D adjustment; 16mm drawer



- Soft-close
- Full extension
- Galvanized sheet
- Loading capacity is 25 KG
- Length from 250-700mm
- 0-3mm height adjustment
- $\pm 1.5$ mm right/left adjustment

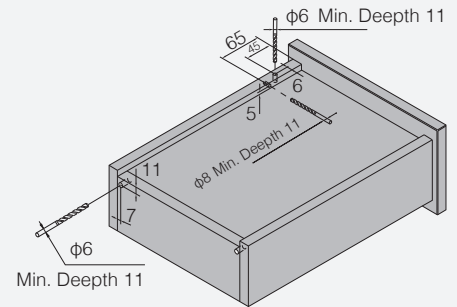
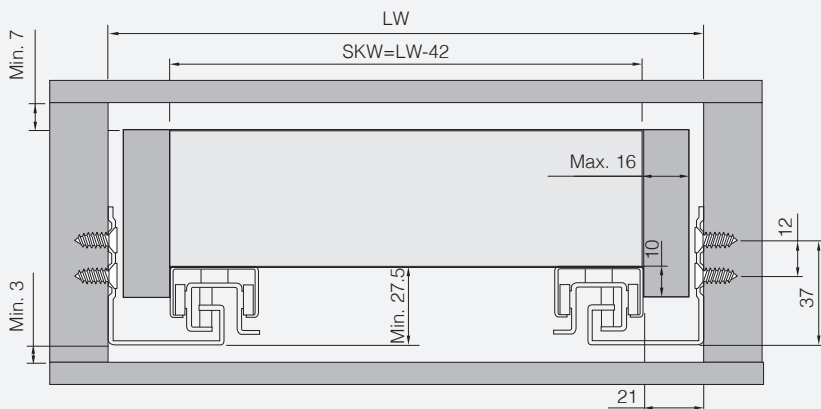
### Order information

NL	Item No.	Package	Remark
250	RP212-250	10 sets	Package includes A. Left & right drawer slide B. Pin
300	RP212-300	10 sets	
350	RP212-350	10 sets	
400	RP212-400	10 sets	
450	RP212-450	10 sets	
500	RP212-500	10 sets	
550	RP212-550	10 sets	
600	RP212-600	10 sets	
650	RP212-650	10 sets	
700	RP212-700	10 sets	

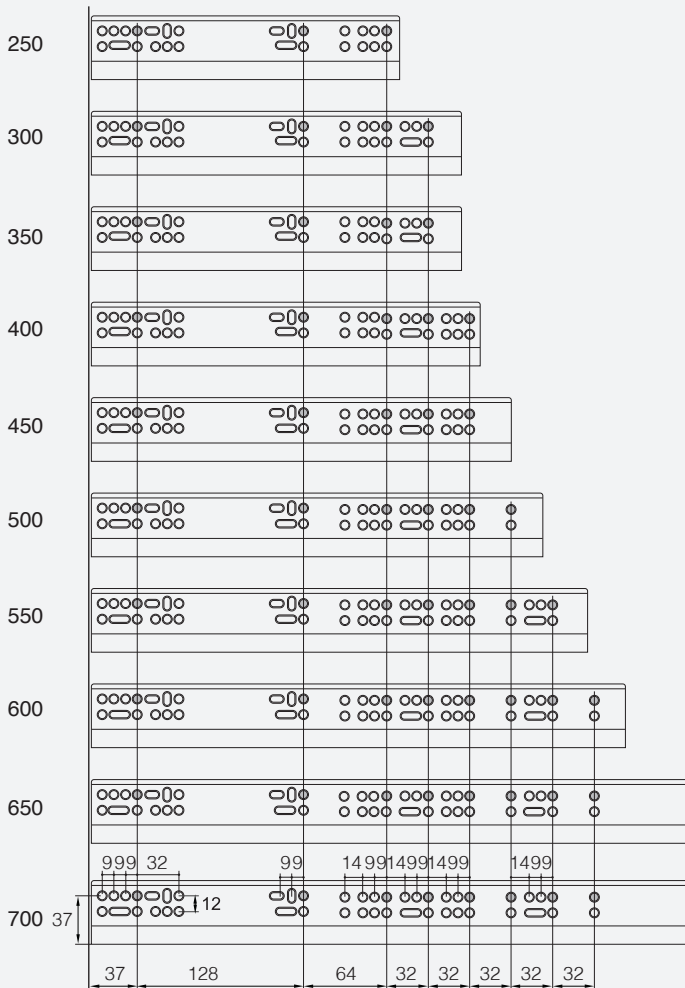
\* For 18mm drawer, please contact us for more information

## Technical information

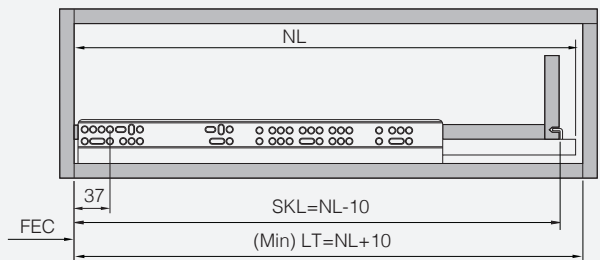
### Installation dimensions



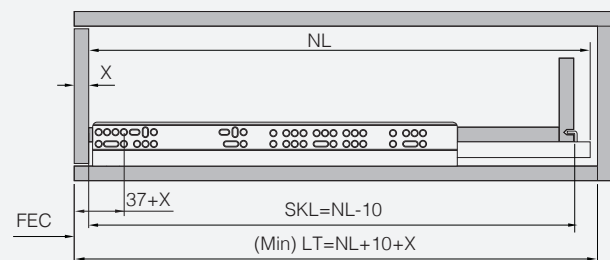
### Fixing positions for slide



### Drawer



### Inset drawer



### Drawer standards

NL	250	300	350	400	450	500	550	600	650	700
SKL	240	290	340	390	440	490	540	590	640	690

### Legend

LW	Internal cabinet width	L	Length	SKL	Length of drawer	X	Thickness of door
NL	Nominal length	KB	Cabinet width	LT	Minimum installation depth	FEC	Front edge of cabinet

## R drawer slide - R502

Locking bracket; Soft-close; Single extension; 2-D adjustment; 16mm drawer



- Soft-close
- Single extension
- Galvanized sheet
- Loading capacity is 25 KG
- Length from 250-600mm
- 1-3mm height adjustment
- $\pm 2$ mm right/left adjustment

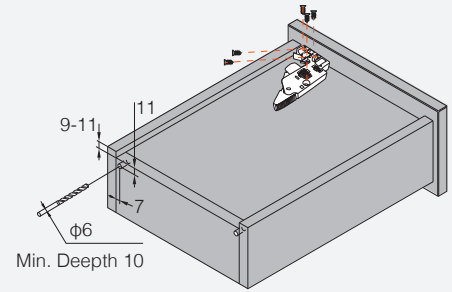
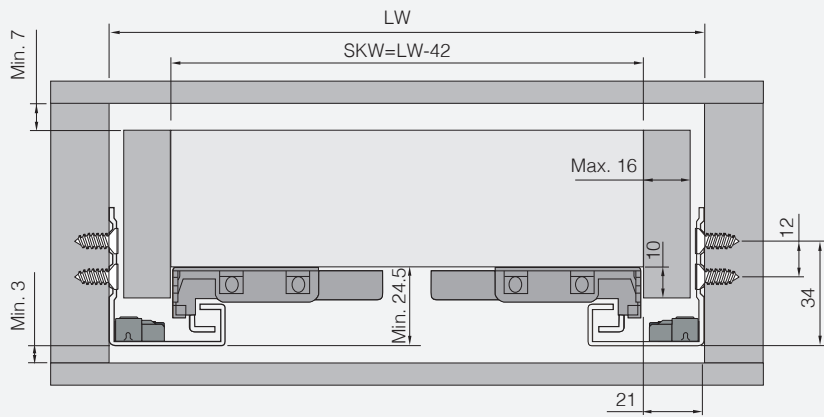
### Order information

NL	Item No.	Package	Remark
250	R502-250	10 sets	Package includes A. Left & right drawer slide B. Locking devices
300	R502-300	10 sets	
350	R502-350	10 sets	
400	R502-400	10 sets	
450	R502-450	10 sets	
500	R502-500	10 sets	
550	R502-550	10 sets	
600	R502-600	10 sets	

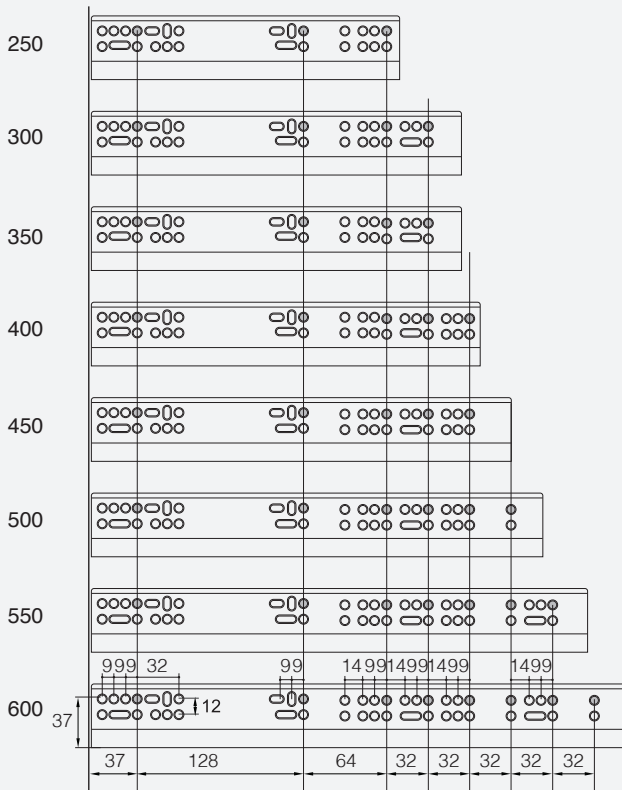
\* For 18mm drawer, please contact us for more information

**Technical information**

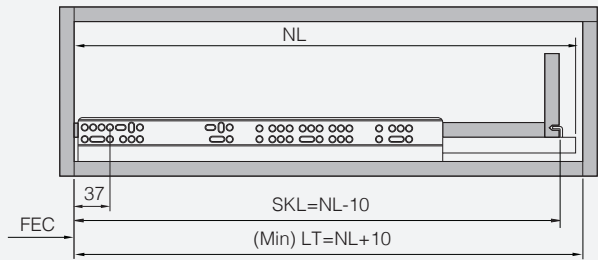
**Installation dimensions**



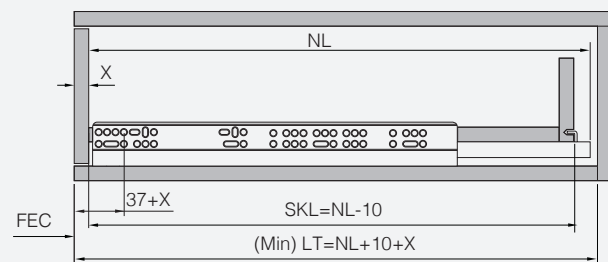
**Fixing positions for slide**



**Drawer**



**Inset drawer**



**Drawer standards**

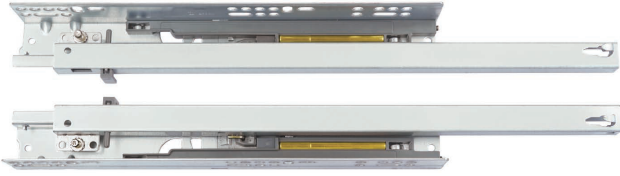
NL	250	300	350	400	450	500	550	600
SKL	240	290	340	390	440	490	540	590

**Legend**

LW	Internal cabinet width	L	Length	SKL	Length of drawer	X	Thickness of door
NL	Nominal length	KB	Cabinet width	LT	Minimum installation depth	FEC	Front edge of cabinet

## R drawer slide - RP501

Locking pin; Soft-close; Single extension; 1-D adjustment; 16mm drawer



- Soft-close
- Single extension
- Galvanized sheet
- Loading capacity is 25 KG
- Length from 250-550mm
- 1-3mm height adjustment

### Order information

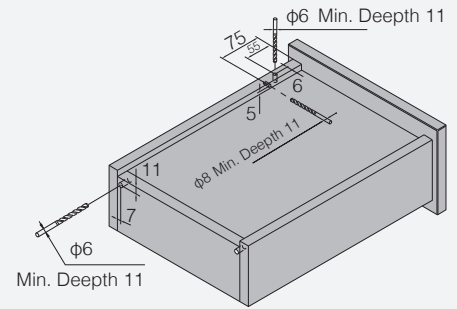
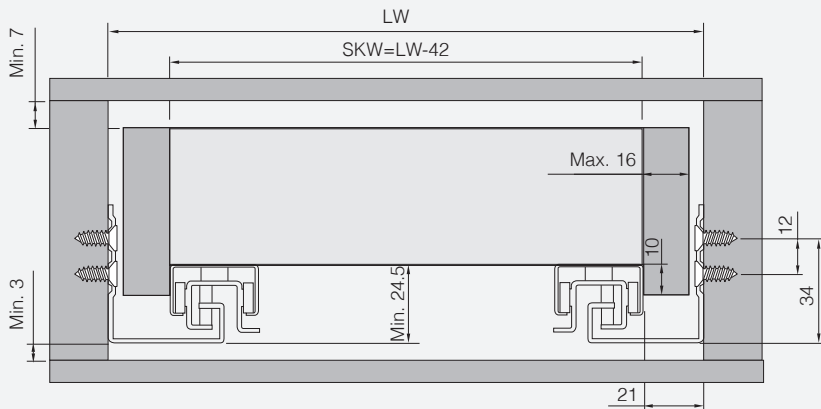
NL	Item No.	Package	Remark
250	RP501-250	10 sets	Package includes A. Left & right drawer slide B. Pin
300	RP501-300	10 sets	
350	RP501-350	10 sets	
400	RP501-400	10 sets	
450	RP501-450	10 sets	
500	RP501-500	10 sets	
550	RP501-550	10 sets	

\* For 18mm drawer, please contact us for more information

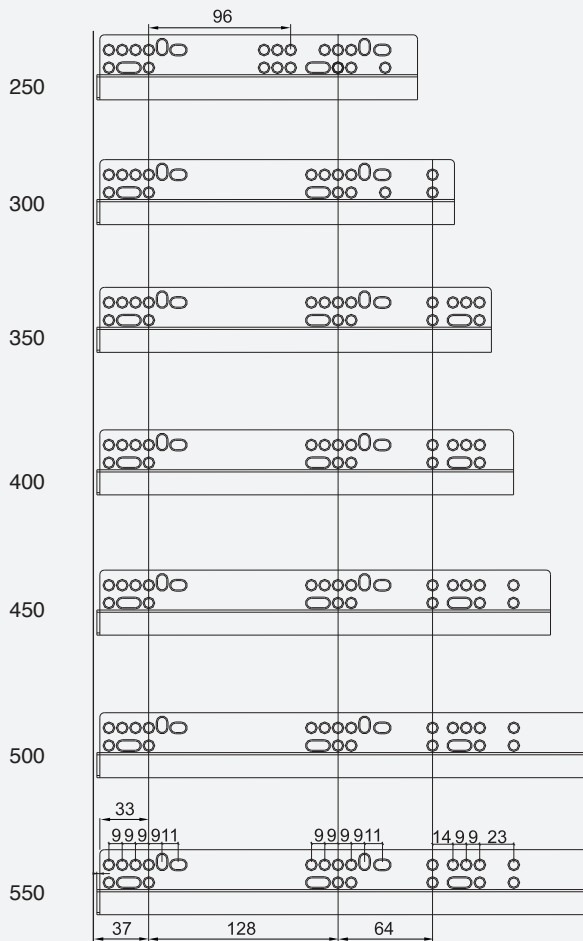


## Technical information

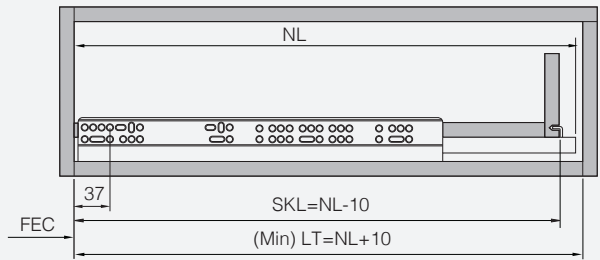
### Installation dimensions



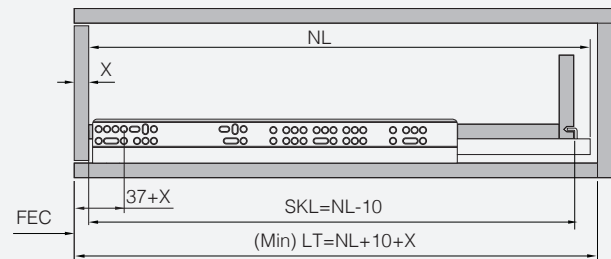
### Fixing positions for slide



### Drawer



### Inset drawer



### Drawer standards

NL	250	300	350	400	450	500	550
SKL	240	290	340	390	440	490	540

### Legend

LW	Internal cabinet width	L	Length	SKL	Length of drawer	X	Thickness of door
NL	Nominal length	KB	Cabinet width	LT	Minimum installation depth	FEC	Front edge of cabinet

For more information, please visit [CEMUX.CO.UK](http://CEMUX.CO.UK)  
or contact us email [CEMUX@CEMUX.CO.UK](mailto:CEMUX@CEMUX.CO.UK)

# CEMUX

LIVE YOUR LIFE

## CEMUX TECHNOLOGY UK LTD

---

Churchill House 142-146 Old Street,  
London,  
UK  
EC1V 9BW  
Tel : 0044 207 1831008

## CEMUX TECHNOLOGY IRELAND WAREHOUSE

---

Kilkeary,  
Nenagh,  
Co. Tipperary  
Ireland  
Tel: 00353 67 31471