



Hinges

The Right Collection

Good-Better-Best solutions

State of the art technology

Design and functionality

Hinges are still the most effective way of articulating a cabinet door. With 250 Million hinges per year, FGV is the leading hinge manufacturer in Europe. The range covers all levels of requirement from the most sophisticated to the entry level. Recent innovations in terms of functionality like controlled movement of the door closing via dampening are adding further end-consumer appeal to the FGV range. With **Optima Click**, **MS Slide-On** and **QS Mini** hinges, the range covers all cabinet applications. **Genios**, **SlowMotion** and **OneTouch** technologies round-up an unrivalled program.



Genios



The Hidden Power



Genios is the innovative technology developed and patented by FGV to control the movement of concealed hinges. Genios is a new way to dampen hinges, and not being located in the hinge arm or in the hinge box, but in the formerly empty space underneath the mounting plate, this astute position generates a wealth of benefits for the industry and for end-consumers.

Genios is available on Optima Click and on MS Slide-On hinges.



Genios Video

Optima Click Genios



All the benefits from the Optima hinge range

Optima is the top range hinge of FGV. Its timeless design is completed with features like SafeClick fast assembly and One-Step 3D adjustment. Genios is resetting the agenda on integral damped hinges.

A technology to cover every application

Genios is available with all cranks and angled hinges, it works with framed doors, alu-frame doors and its extra flat arm works with inbuilt fridge configurations, as well as with English drawer situations. Thanks to One-Step-Anyway in and out adjustment, Genios copes with every door size and weight.



No modifications in the processing

Don't touch your machines! Don't go back to the drawing board. Keep your standard Optima hinge application and replace the current mounting plate by the Genios. Drilling depth, overlay and opening angles are unchanged. Genios doesn't require special solutions. It works with extra thin panels from 16mm to 30mm door thickness without any change in your applications.

Integral solution or add-on: your choice!

The mounting plate can come pre-assembled with the SlowMotion damper or ready for add-on. Choose the number of damped hinges easily to fit door size and weight. Choose your marketing option of the damping feature: integral or add-on.



Ms Slide-On Genios

An affordable solution

MS/Slide-On hinges are a part of the world's leading volume manufacturer of quality hinges. Over 30 million cabinets are equipped year on year by this hinge range. One hundred million hinges are produced in Veduggio on the latest automatic equipment.

A quality solution

MS/Slide-On hinges from FGV are easy to use. They are all certified to the highest quality standards in terms of performance and longevity and are guaranteed for 80.000 cycles during their lifetime. The range covers all applications, including corner solutions.



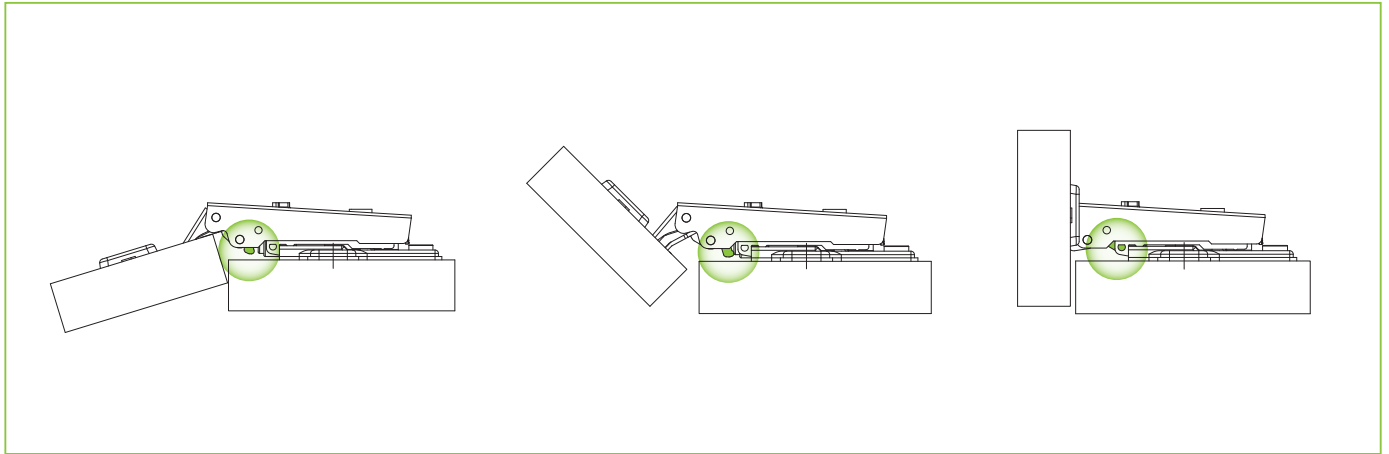
Adjustable impact

The damper is very powerful to cope with large and heavy doors. Nonetheless, the strength can be adjusted to smaller and lighter doors. The regulation can be made, adjusting the screw on the back of the damping housing. Not 100% or 0%, but a real progressive adjustment. A clear advantage for an overall very affordable solution.

Pre-mounted or retrofit

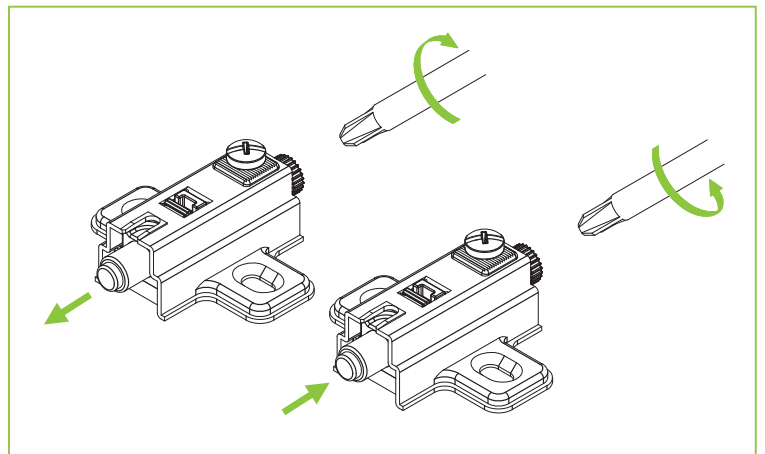
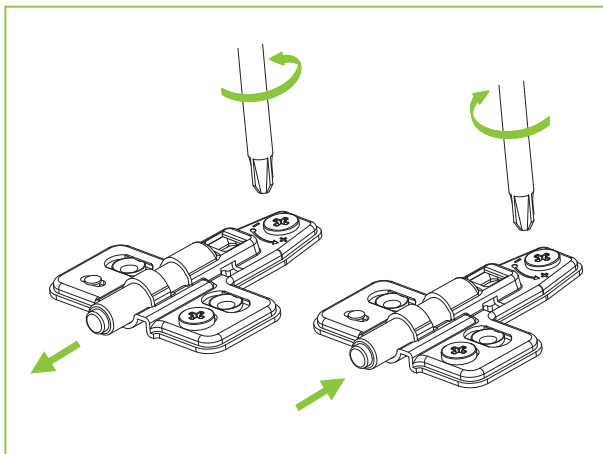
The product range is available with the damper pre-mounted into the mounting plate or as a retro fit able add-on solution, opening whole new perspectives for production and marketing. Stock holding is simplified, for manufacturer and for hardware dealer. Sales margins can be optimised with separate sales.





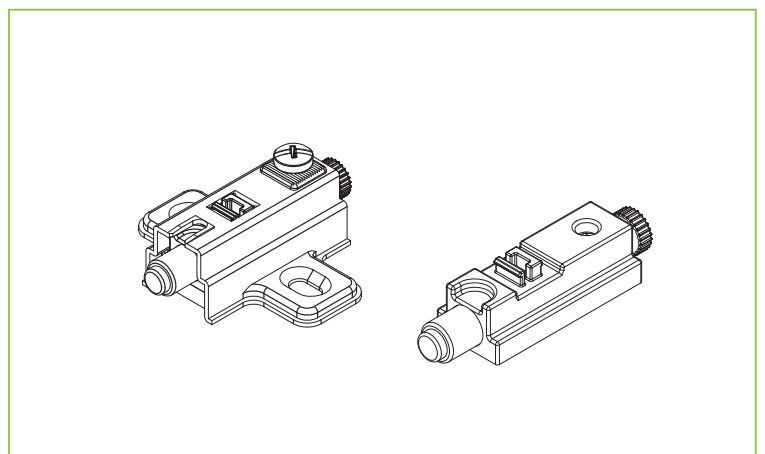
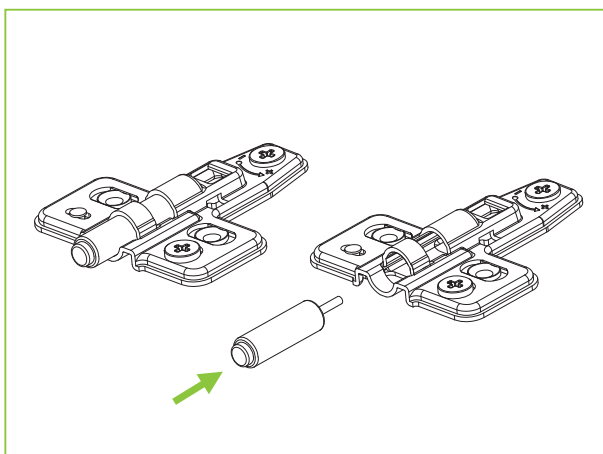
Simple and ingenious

Putting the damper into the least problematic zone of a hinge, namely under the mounting plate, is simply a genial design solution. No bulky hinge box – no protruding hinge arm. Simply Genios!



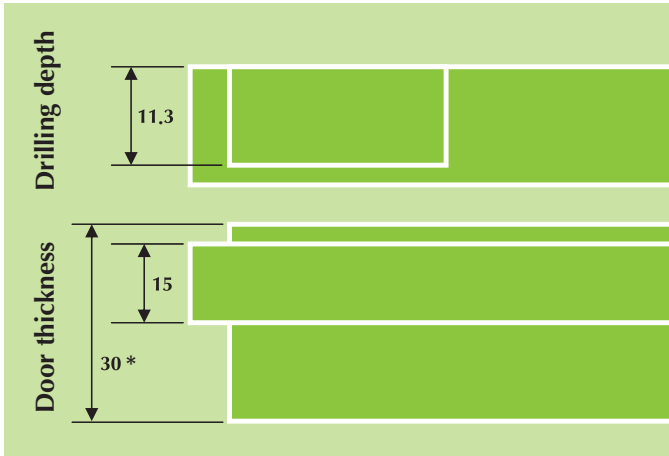
Strong and adjustable

The damper is very powerful to cope with large and heavy doors. Nonetheless, the strength can be adjusted to smaller and lighter doors. It is even possible to use the damper only on certain hinges. Simply Genios!



Integral or add-on

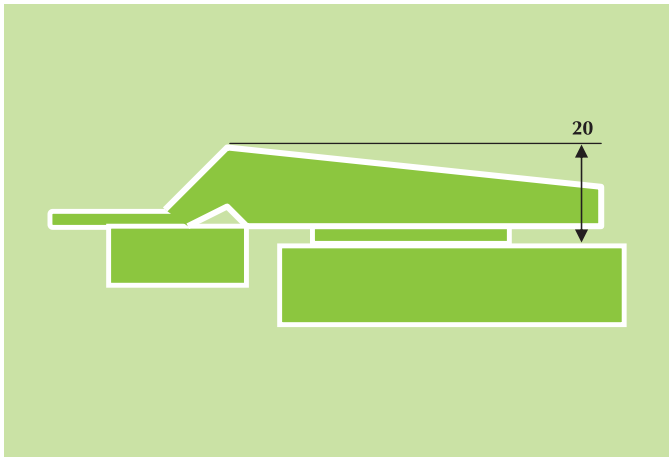
The product range is available with the damper pre-mounted into the mounting plate or as a retrofitable add-on solution, opening whole new perspectives for production and marketing. Simply Genios!



* 30mm in version MT / 26mm in standard

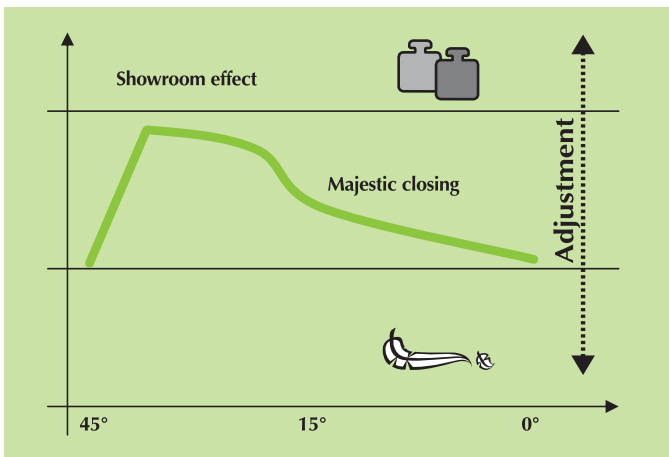
Keep your application and convert without hassle to Genios technology

Thin or thick doors, light or heavy doors, Genios covers them all. Thanks to the possibility to choose the number of numbers and to fine-tune the adjustment with One-Step-Anyway feature, there is no application Genios doesn't cover.



Genios: the hidden power

Placed under the previously empty space under the central hump of the mounting plate, the SlowMotion damper has no incidence on look or external dimensions of the hinge. Strength and adjustability are combined to deliver hidden force and majestic closing.



Affordable

No change in process, no need for costly thick doors, no "inbuilt gas-factory" in this rational and ingenious technology. And the choice between integral and add-on solution. All ingredients are together for the most affordable solution from the European leader of concealed hinges with an installed capacity of more than 250 Mio hinges in Veduggio.



Hinges Index

<i>Optima Click</i>	18-59
<i>MS Slide-On</i>	60-107
<i>QS Mini</i>	108-127
<i>SlowMotion accessories</i>	129-147
<i>Alfa</i>	130
<i>Delta</i>	134
<i>Zitto</i>	138
<i>OneTouch</i>	142
<i>Appendix</i>	
<i>Pictograms</i>	166-167

The variety of hinges and mounting plates that Formenti & Giovenzana offers is certainly one of the most complete.

For every hinge or mounting plate it is possible to select the fixing system most suitable to the need.

- **Selftapping and euro screw:** the standard
- **Dowel:** for industrial insertion
- **Velofix and X-Pando dowel:** to reduce the assembly time
- **Centra and Zip:** for no-tool mounting



Optima Click

The right look

Designed to last

One-Step 3D adjustment

Safe rapid fixing

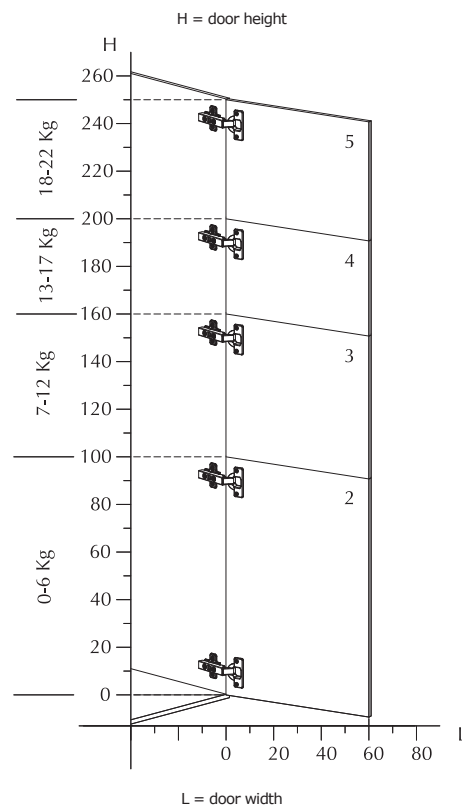
Genios compatible

Option OneTouch

Complete system

The **Optima Click** hinge represents the premium offering in the FGV hinge program with improved, elegant & timeless design and some unique functional features. An aesthetic and functionally convincing hinge, with a straight and modern look, emphasized by the possibility of customization with a logo. All the adjustments are immediate, allowing to find the door's correct position in one step. Optima hinges are available with the whole array of cup-fixing solutions, including the no-tool Centra system. To keep the door movement under control and providing a silent closing Optima hinges are available in Genios configuration, and compatible with SlowMotion add-on damper solutions as well.

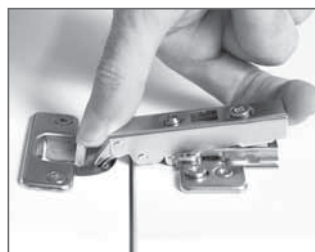
Optima Click



Mounting System



1 Place the front part of the hinge on the front side of the mounting plate.

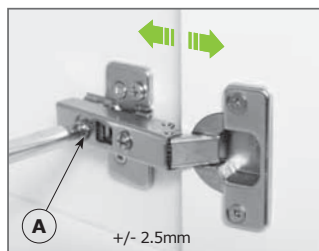


2 Rotate the arm of the hinge.

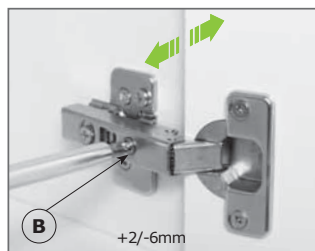


3 Press down the rear part of the hinge to Click on.

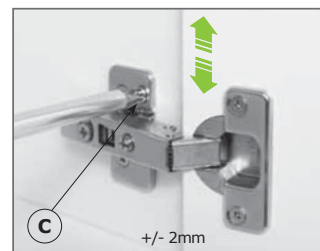
Adjusting System



Depth adjustment
Acting on the "A" screw it is possible to adjust the distance between the side of the cabinet and the door.



Independent side adjustment
Acting on the "B" screw it is possible to change the amount of the door covering on the side of the cabinet.



Vertical adjustment
Acting on the "C" screw of the mounting plate it is possible to adjust the door vertically.

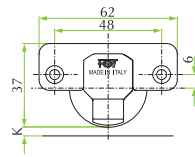
INDEX

OPENING 110°		Summary table	p. 22
		Product detail	p. 26
OPENING 125°		Summary table	p. 22
		Product detail	p. 28
OPENING 175°		Summary table	p. 22
		Product detail	p. 30
FOR THICK DOORS 95° Ø35		Summary table	p. 22
		Product detail	p. 32
FOR CORNER DOORS 110°		Summary table	p. 22
		Product detail	p. 34
FOR CORNER CABINET 90°		Summary table	p. 22
		Product detail	p. 36

SPECIAL SOLUTIONS

FOR DOORS WITH ALUMINIUM FRAME 105°		Summary table	p. 25
		Product detail	p. 38
FOR THICK DOORS 90° Ø40		Summary table	p. 25
		Product detail	p. 42
ZIP FIXING SYSTEM		Summary table	p. 25

Cup hole distance 48x6mm



OPENING 110°



Crank 0		p. 26	p. 26	p. 26	p. 26	p. 26	p. 26
Crank 8		p. 26	p. 26	p. 26	p. 26	p. 26	p. 26
Crank 15		p. 26	p. 26	p. 26	p. 26	p. 26	p. 26

OPENING 125°



Crank 0		p. 28	p. 28	p. 28	p. 28	p. 28	p. 28
Crank 8		p. 28	p. 28	p. 28	p. 28	p. 28	p. 28

OPENING 175°



Crank 0		p. 30	p. 30	p. 30	p. 30	p. 30	
Crank 8		p. 30	p. 30	p. 30	p. 30	p. 30	

FOR THICK DOORS OPENING 95° Ø35



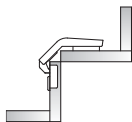
Crank 0		p. 32	p. 32	p. 32	p. 32		
Crank 8		p. 32	p. 32	p. 32	p. 32		
Crank 15		p. 32	p. 32	p. 32	p. 32		

FOR CORNER DOORS 110°



Angle 24°+30°		p. 34	p. 34	p. 34	p. 34	p. 34	p. 34
Angle 45°		p. 34	p. 34	p. 34	p. 34	p. 34	p. 34
Angle 90°		p. 34	p. 34	p. 34	p. 34	p. 34	p. 34

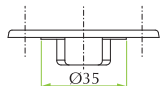
FOR CORNER CABINET



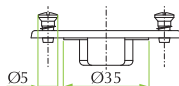
		p. 36	p. 36	p. 36	p. 36	p. 36	
--	--	-------	-------	-------	-------	-------	--



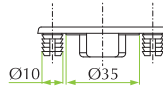
SELFTAPPING SCREW



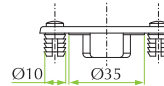
EURO SCREW



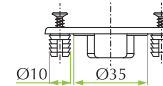
DOWEL



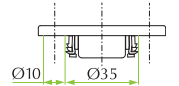
VELOFIX DOWEL



X-PANDO DOWEL

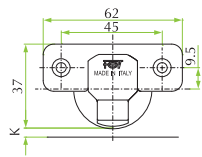


CENTRA



**Cup hole distance
45x9.5mm**

A



OPENING 110°



Crank 0		p. 26	p. 26	p. 26	p. 26	p. 26	p. 26
Crank 8		p. 26	p. 26	p. 26	p. 26	p. 26	p. 26
Crank 15		p. 26	p. 26	p. 26	p. 26	p. 26	p. 26

OPENING 125°



Crank 0		p. 28	p. 28	p. 28	p. 28	p. 28	p. 28
Crank 8		p. 28	p. 28	p. 28	p. 28	p. 28	p. 28

OPENING 175°



Crank 0		p. 30	p. 30	p. 30	p. 30	p. 30	
Crank 8		p. 30	p. 30	p. 30	p. 30	p. 30	

**FOR THICK DOORS
OPENING 95° Ø35**



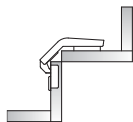
Crank 0		p. 32	p. 32	p. 32	p. 32		
Crank 8		p. 32	p. 32	p. 32	p. 32		
Crank 15		p. 32	p. 32	p. 32	p. 32		

FOR CORNER DOORS 110°



Angle 24°±30°		p. 34	p. 34	p. 34	p. 34	p. 34	p. 34
Angle 45°		p. 34	p. 34	p. 34	p. 34	p. 34	p. 34
Angle 90°		p. 34	p. 34	p. 34	p. 34	p. 34	p. 34

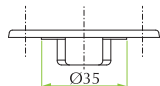
FOR CORNER CABINET



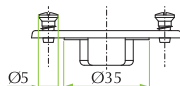
		p. 36	p. 36	p. 36	p. 36	p. 36	
--	--	-------	-------	-------	-------	-------	--



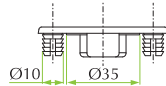
SELFTAPPING SCREW



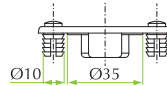
EURO SCREW



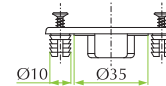
DOWEL



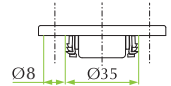
VELOFIX DOWEL



X-PANDO DOWEL

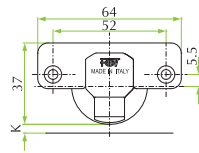


CENTRA



**Cup hole distance
52x5.5mm**

D



OPENING 110°



Crank 0		p. 26	p. 26	p. 26	p. 26	p. 26
Crank 8		p. 26	p. 26	p. 26	p. 26	p. 26
Crank 15		p. 26	p. 26	p. 26	p. 26	p. 26

OPENING 125°



Crank 0		p. 28	p. 28	p. 28	p. 28	p. 28
Crank 8		p. 28	p. 28	p. 28	p. 28	p. 28

OPENING 175°



Crank 0		p. 30	p. 30	p. 30	p. 30	p. 30
Crank 8		p. 30	p. 30	p. 30	p. 30	p. 30

**FOR THICK DOORS
OPENING 95° Ø35**



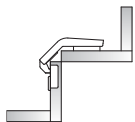
Crank 0		p. 32	p. 32	p. 32	p. 32	
Crank 8		p. 32	p. 32	p. 32	p. 32	
Crank 15		p. 32	p. 32	p. 32	p. 32	

FOR CORNER DOORS 110°



Angle 24°÷30°		p. 34	p. 34	p. 34	p. 34	p. 34
Angle 45°		p. 34	p. 34	p. 34	p. 34	p. 34
Angle 90°		p. 34	p. 34	p. 34	p. 34	p. 34

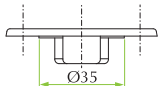
FOR CORNER CABINET



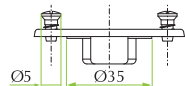
		p. 36	p. 36	p. 36	p. 36	p. 36
--	--	-------	-------	-------	-------	-------



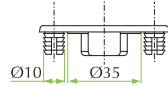
SELFTAPPING SCREW



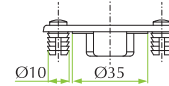
EURO SCREW



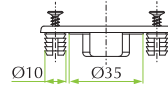
DOWEL



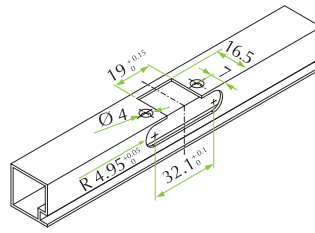
VELOFIX DOWEL



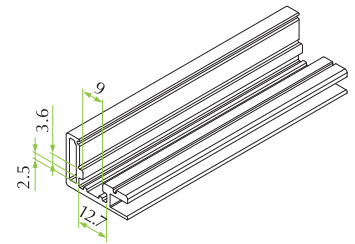
X-PANDO DOWEL



GROOVED PROFILE






LOCK FIXING

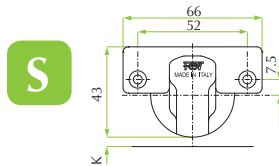


FOR DOORS WITH ALUMINIUM FRAME 105°

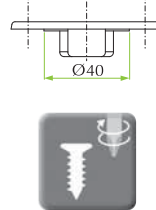


Crank 0		p. 38	p. 40
Crank 8		p. 38	p. 40
Crank 15		p. 38	p. 40

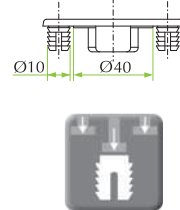
CUP HOLE DISTANCE 52x7.5mm



SELFTAPPING SCREW







DOWEL



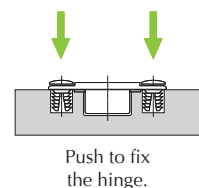
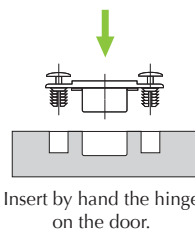
FOR THICK DOORS OPENING 90° Ø40



Crank 0		p. 42	p. 42
Crank 8		p. 42	p. 42
Crank 15		p. 44	p. 44
Crank 22		p. 44	p. 44

ZIP FIXING SYSTEM

The Zip dowels allow a no-tool mounting of the hinge.



The hinges with Zip fixing system are available on demand. Please contact the FGV Customer Service.

Optima Click 110°



Technical specifications:

- Depth of the metal cup 11.3mm
- Cup diameter 35mm
- Opening 110° with (K) max 4mm and (T) max 18mm
- Possibility of door drilling (K) from 3 to 7 mm
- Thickness of the door (T) from 16 to 26 mm
- Genios, SlowMotion Alfa and OneTouch solutions

CRANK 0



CRANK 8



CRANK 15



I
A
D

51.XSH5.05.00.0 ●
51.XSH5.05.00.C ●
51.XSH5.05.00.B ●

51.XSH5.05.08.0 ●
51.XSH5.05.08.C ●
51.XSH5.05.08.B ●

51.XSH5.05.15.0 ●
51.XSH5.05.15.C ●
51.XSH5.05.15.B ●

Available with premounted selftapping screws



I
A
D

51.XSH6.05.00.M ●
51.XSH6.05.00.N ●
51.XSH6.05.00.E ●

51.XSH6.05.08.M ●
51.XSH6.05.08.N ●
51.XSH6.05.08.E ●

51.XSH6.05.15.M ●
51.XSH6.05.15.N ●
51.XSH6.05.15.E ●



I
A
D

51.XSH6.05.00.* ●
51.XSH6.05.00.S ●
51.XSH6.05.00.B ●

51.XSH6.05.08.* ●
51.XSH6.05.08.S ●
51.XSH6.05.08.B ●

51.XSH6.05.15.* ●
51.XSH6.05.15.S ●
51.XSH6.05.15.B ●

* 0 = dowels Ø10mm / D = dowels Ø8mm



I
A
D

51.XSH8.05.00.V ●
51.XSH8.05.00.U ●
51.XSH8.05.00.Z ●

51.XSH8.05.08.V ●
51.XSH8.05.08.U ●
51.XSH8.05.08.Z ●

51.XSH8.05.15.V ●
51.XSH8.05.15.U ●
51.XSH8.05.15.Z ●



I
A
D

51.XSH9.05.00.0 ●
51.XSH9.05.00.S ●
51.XSH9.05.00.B ●

51.XSH9.05.08.0 ●
51.XSH9.05.08.S ●
51.XSH9.05.08.B ●

51.XSH9.05.15.0 ●
51.XSH9.05.15.S ●
51.XSH9.05.15.B ●



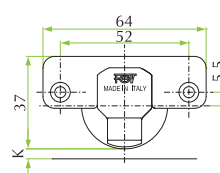
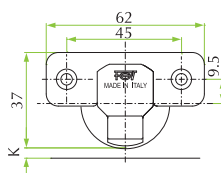
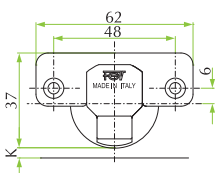
I
A

51.XSHC.05.00.0
51.XSHC.05.00.0

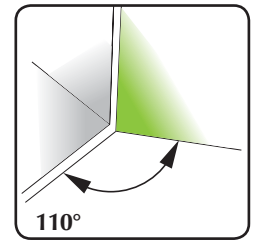
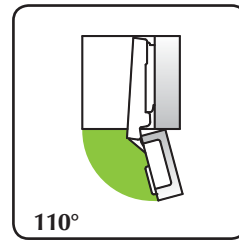
51.XSHC.05.08.0
51.XSHC.05.08.0

51.XSHC.05.15.0
51.XSHC.05.15.0

● = G / Genios Solution



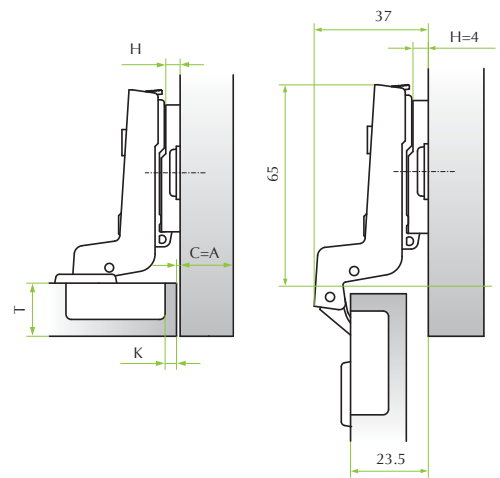
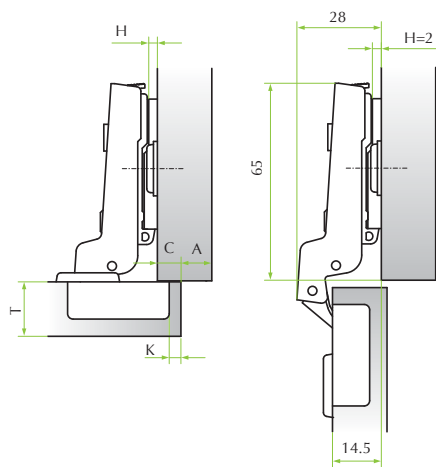
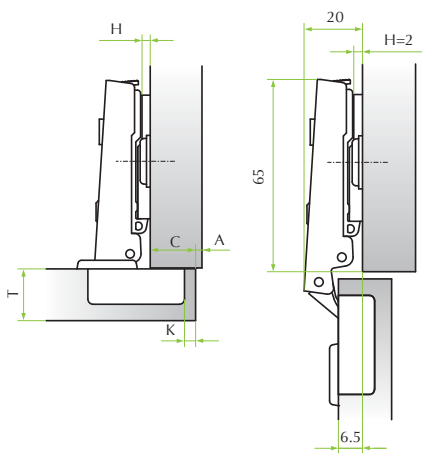
The mounting plates and fittings for this hinge series are shown from page 46 to page 59.



CRANK 0
For lay-on doors

CRANK 8
For partial lay-on doors

CRANK 15
For inset doors



		Drilling distance (K)						
		3	4	5	6	7		
Overlay (C)	19					2		
	18				2			
	17			2		4		
	16		2		4			
	15	2		4		6		
	14		4		6			
	13			6				
	12				6			
11	6							
		Mounting plates (H)						

		Drilling distance (K)						
		3	4	5	6	7		
Overlay (C)	11					2		
	10				2			
	9			2		4		
	8		2		4			
	7	2		4		6		
	6		4		6			
	5			6				
	4				6			
3	6							
		Mounting plates (H)						

		Drilling distance (K)						
		3	4	5	6	7		
Overlay (C)	0	2		4		6		
	1		4		6			
	2			6				
	3				6			
	4					6		
		Mounting plates (H)						

Table to determine the minimum distance A so that a door with T thickness can open without protrusion from the cabinet and without interfering with adjacent doors.

T=	16	17	18	19	20	21	22	23	24	25	26
K=3 A=	0.55	0.75	1.10	1.45	1.80	2.40	3.10	3.90	4.70	6.70	6.50
K=4 A=	0.55	0.70	1.05	1.40	1.75	2.25	2.85	3.60	4.35	5.75	6.00
K=5 A=	0.53	0.70	1.00	1.35	1.65	2.10	2.65	3.30	4.00	4.75	5.55
K=6 A=	0.50	0.70	0.95	1.25	1.60	2.00	2.50	3.05	3.70	4.40	5.20
K=7 A=	0.50	0.65	0.85	1.20	1.55	1.90	2.35	2.85	3.45	4.10	4.80

Optima Click 125°



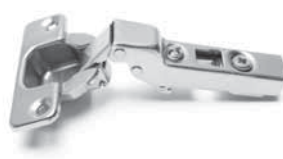
Technical specifications:

- Depth of the metal cup 11.3mm
- Cup diameter 35mm
- Opening 125° with (K) max 4mm and (T) max 18mm
- Possibility of door drilling (K) from 3 to 5 mm
- Thickness of the door (T) from 16 a 26 mm
- OneTouch solutions

CRANK 0



CRANK 8



I
A
D

51.XKH5.M5.00.0

51.XKH5.M5.00.C

51.XKH5.M5.00.B

Available with premounted selftapping screws

51.XKH5.M5.08.0

51.XKH5.M5.08.C

51.XKH5.M5.08.B



I
A
D

51.XKH6.M5.00.M

51.XKH6.M5.00.N

51.XKH6.M5.00.E

51.XKH6.M5.08.M

51.XKH6.M5.08.N

51.XKH6.M5.08.E



I
A
D

51.XKH6.M5.00.*

51.XKH6.M5.00.S

51.XKH6.M5.00.B

* 0 = dowels Ø10mm / D = dowels Ø8mm

51.XKH6.M5.08.*

51.XKH6.M5.08.S

51.XKH6.M5.08.B



I
A
D

51.XKH8.M5.00.V

51.XKH8.M5.00.U

51.XKH8.M5.00.Z

51.XKH8.M5.08.V

51.XKH8.M5.08.U

51.XKH8.M5.08.Z



I
A
D

51.XKH9.M5.00.0

51.XKH9.M5.00.S

51.XKH9.M5.00.B

51.XKH9.M5.08.0

51.XKH9.M5.08.S

51.XKH9.M5.08.B



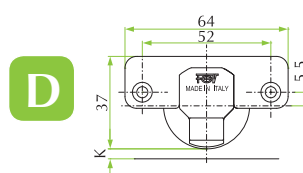
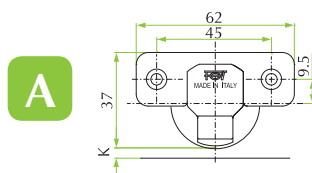
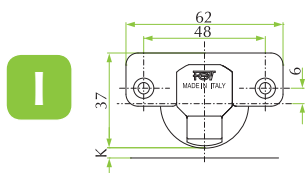
I
A

51.XKHC.05.00.0

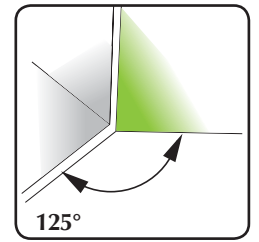
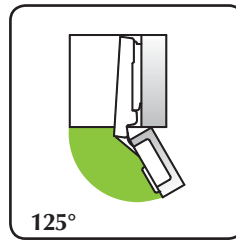
51.XKHC.05.00.0

51.XKHC.05.08.0

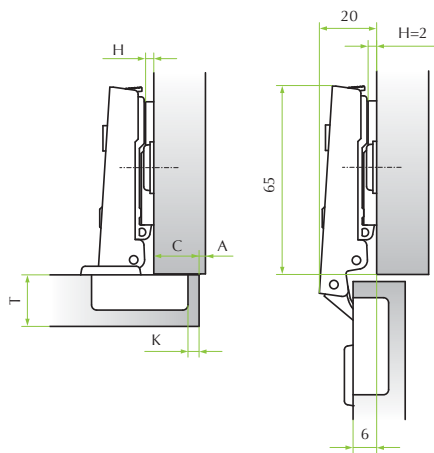
51.XKHC.05.08.0



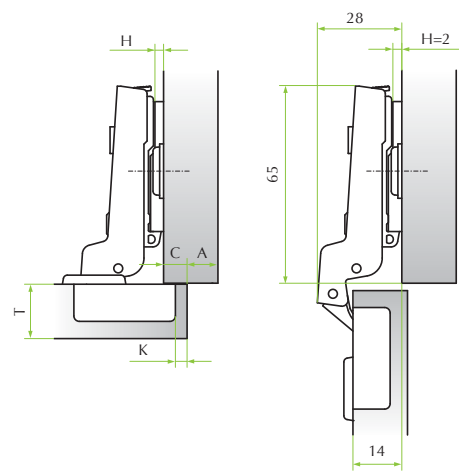
The mounting plates and fittings for this hinge series are shown from page 46 to page 59.



CRANK 0
For lay-on doors



CRANK 8
For partial lay-on doors



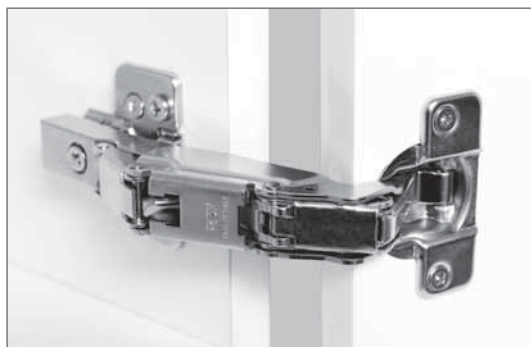
Overlay (C)	Drilling distance (K)						
	3	4	5	6	7		
19					2		
18				2			
17			2	4			
16		2	4				
15	2	4	6				
14	4	6					
13	4	6					
12	6						
11	6						Mounting plates (H)

Overlay (C)	Drilling distance (K)						
	3	4	5	6	7		
11					2		
10				2			
9			2	4			
8		2	4				
7	2	4	6				
6	4	6					
5	4	6					
4	6						
3	6						Mounting plates (H)

Table to determinate the minimum distance **A** so that a door with **T** thickness can open without protrusion from the cabinet and without interfering with adjacent doors.

T=	16	17	18	19	20	21	22	23	24	25	26
K=3 A=	0.90	1.40	1.90	2.40	3.00	3.60	4.25	4.90	5.55	6.20	6.80
K=4 A=	0.85	1.25	1.75	2.25	2.75	3.35	4.00	4.65	5.30	5.95	6.60
K=5 A=	0.80	1.10	1.60	2.10	2.55	3.15	3.75	4.45	5.05	5.70	6.35

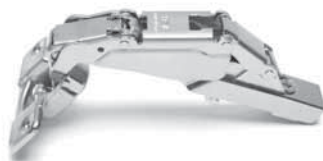
Optima Click 175°



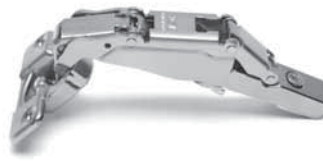
Technical specifications:

- Depth of the metal cup 11.3mm
- Cup diameter 35mm
- Opening 175°
- Possibility of door drilling (K) from 3 to 7 mm
- Thickness of the door (T) from 16 to 26 mm
- SlowMotion Delta add-on damper solutions

CRANK 0



CRANK 8



I
A
D

51.XWH5.M5.00.0

51.XWH5.M5.00.C

51.XWH5.M5.00.B

Available with premounted selftapping screws

51.XWH5.M5.08.0

51.XWH5.M5.08.C

51.XWH5.M5.08.B



I
A
D

51.XWH6.M5.00.M

51.XWH6.M5.00.N

51.XWH6.M5.00.E

51.XWH6.M5.08.M

51.XWH6.M5.08.N

51.XWH6.M5.08.E



I
A
D

51.XWH6.M5.00.*

51.XWH6.M5.00.S

51.XWH6.M5.00.B

* 0 = dowels Ø10mm / D = dowels Ø8mm

51.XWH6.M5.08.*

51.XWH6.M5.08.S

51.XWH6.M5.08.B



I
A
D

51.XWH8.M5.00.V

51.XWH8.M5.00.U

51.XWH8.M5.00.Z

51.XWH8.M5.08.V

51.XWH8.M5.08.U

51.XWH8.M5.08.Z



I
A
D

51.XWH9.M5.00.0

51.XWH9.M5.00.S

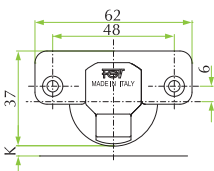
51.XWH9.M5.00.B

51.XWH9.M5.08.0

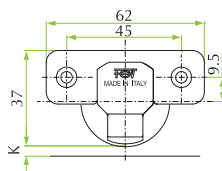
51.XWH9.M5.08.S

51.XWH9.M5.08.B

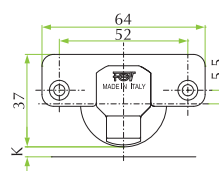
I



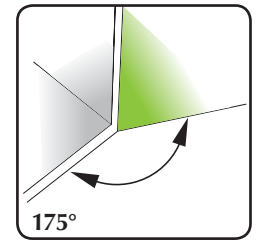
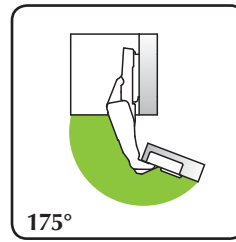
A



D

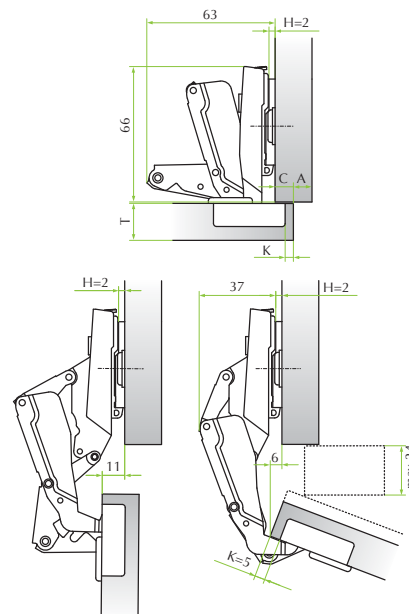
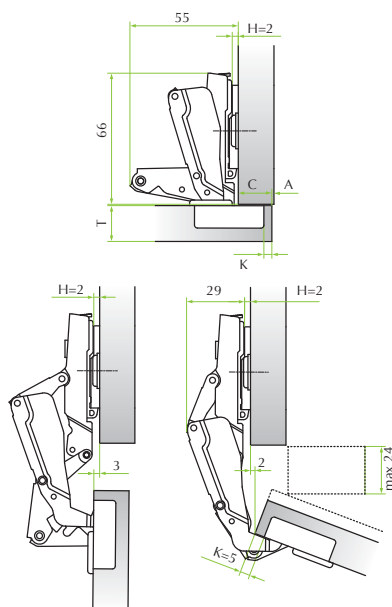


The mounting plates and fittings for this hinge series are shown from page 46 to page 59.



CRANK 0
For lay-on doors

CRANK 8
For partial lay-on doors



Overlay (C)	Drilling distance (K)						
	3	4	5	6	7		
19					2		
18				2			
17			2	4			
16	2		4				
15	2	4	6				
14	4	6					
13	4	6					
12	6						
11	6						Mounting plates (H)

Overlay (C)	Drilling distance (K)						
	3	4	5	6	7		
11					2		
10				2			
9			2	4			
8	2		4				
7	2	4	6				
6	4	6					
5	4	6					
4	6						
3	6						Mounting plates (H)

Table to determine the minimum distance **A** so that a door with **T** thickness can open without protrusion from the cabinet and without interfering with adjacent doors.

T=	16	17	18	19	20	21	22	23	24	25	26
K=3 A=	0.00	0.00	0.00	0.00	0.00	0.00	0.20	0.55	6.80	8.10	13.55
K=4 A=	0.00	0.00	0.00	0.00	0.00	0.05	0.30	3.50	5.85	7.25	12.55
K=5 A=	0.00	0.00	0.00	0.00	0.00	0.05	0.30	3.55	4.90	6.25	11.55
K=6 A=	0.00	0.00	0.00	0.00	0.00	0.05	0.40	3.00	3.90	5.25	10.55
K=7 A=	0.00	0.00	0.00	0.00	0.00	0.05	1.20	2.20	3.15	4.25	9.55

Optima Click 95° Ø35 for thick doors



Technical specifications:

- Depth of the metal cup 12.3mm
- Cup diameter 35mm
- Opening 95°
- Possibility of door drilling (K) from 3 to 7 mm
- Thickness of the door (T) from 16 to 30 mm
- Available only Genios solutions

CRANK 0



CRANK 8



CRANK 15



I
A
D

51.XZH5.05.00.0 ●
51.XZH5.05.00.C ●
51.XZH5.05.00.B ●

51.XZH5.05.08.0 ●
51.XZH5.05.08.C ●
51.XZH5.05.08.B ●

51.XZH5.05.15.0 ●
51.XZH5.05.15.C ●
51.XZH5.05.15.B ●

Available with premounted selftapping screws



I
A
D

51.XZH6.05.00.M ●
51.XZH6.05.00.N ●
51.XZH6.05.00.E ●

51.XZH6.05.08.M ●
51.XZH6.05.08.N ●
51.XZH6.05.08.E ●

51.XZH6.05.15.M ●
51.XZH6.05.15.N ●
51.XZH6.05.15.E ●



I
A
D

51.XZH6.05.00.* ●
51.XZH6.05.00.S ●
51.XZH6.05.00.B ●

51.XZH6.05.08.* ●
51.XZH6.05.08.S ●
51.XZH6.05.08.B ●

51.XZH6.05.15.* ●
51.XZH6.05.15.S ●
51.XZH6.05.15.B ●

* 0 = dowels Ø10mm / D = dowels Ø8mm



I
A
D

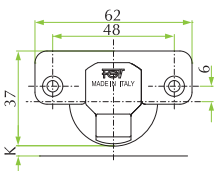
51.XZH8.05.00.V ●
51.XZH8.05.00.U ●
51.XZH8.05.00.Z ●

51.XZH8.05.08.V ●
51.XZH8.05.08.U ●
51.XZH8.05.08.Z ●

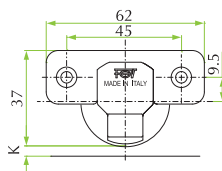
51.XZH8.05.15.V ●
51.XZH8.05.15.U ●
51.XZH8.05.15.Z ●

● = G / Genios Solution

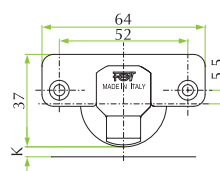
I



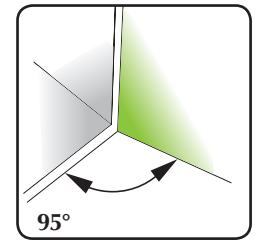
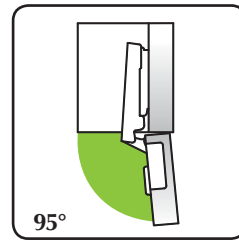
A



D



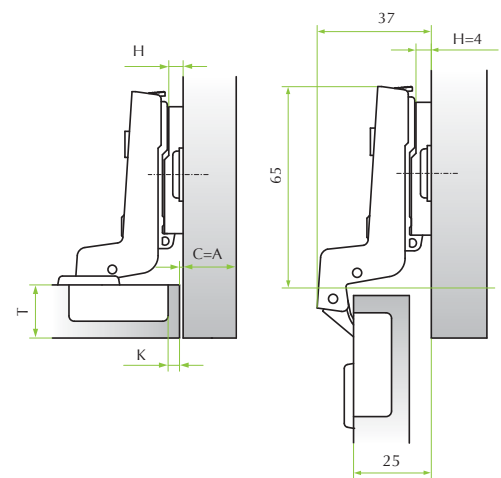
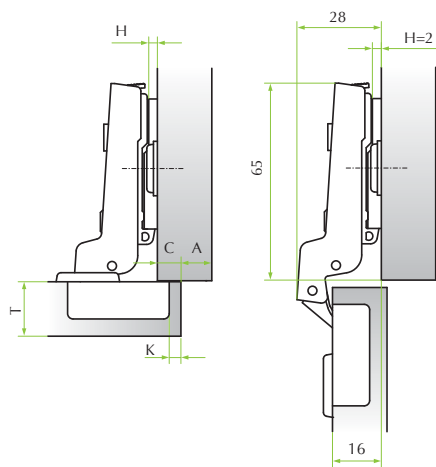
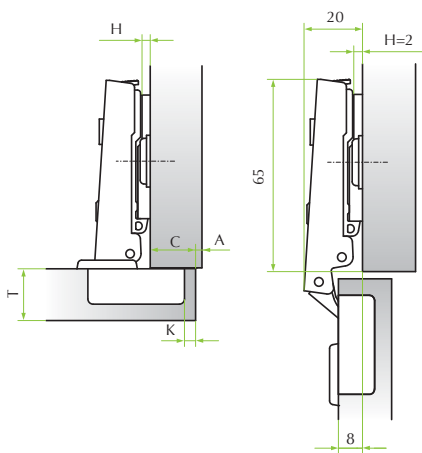
The mounting plates and fittings for this hinge series are shown from page 46 to page 59.



CRANK 0
For lay-on doors

CRANK 8
For partial lay-on doors

CRANK 15
For inset doors



		Drilling distance (K)						
		3	4	5	6	7		
Overlay (C)	19			0	2			
	18		0	2				
	17	0	2	4				
	16	2	4					
	15	4	6					
	14	6						
	13	8						
	12	10						
	11	12						
		Mounting plates (H)						

		Drilling distance (K)						
		3	4	5	6	7		
Overlay (C)	11			0	2			
	10		0	2				
	9	0	2	4				
	8	2	4					
	7	4	6					
	6	6						
	5	8						
	4	10						
	3	12						
		Mounting plates (H)						

		Drilling distance (K)						
		3	4	5	6	7		
Overlay (C)	0	2	4	6				
	1	4	6					
	2	6						
	3	8						
	4	10						
		Mounting plates (H)						

Table to determine the minimum distance A so that a door with T thickness can open without protrusion from the cabinet and without interfering with adjacent doors.

T=	16	17	18	19	20	21	22	23	24	25	26	27	28	29	30
K=3 A=	0.00	0.15	0.35	0.50	0.70	0.85	1.15	1.65	2.55	3.40	4.30	5.20	6.15	7.10	8.00
K=4 A=	0.00	0.15	0.30	0.50	0.65	0.85	1.10	1.40	2.10	2.90	3.80	4.65	5.50	6.45	7.40
K=5 A=	0.00	0.15	0.30	0.50	0.65	0.80	1.00	1.35	1.75	2.50	3.30	4.15	5.00	5.90	6.75
K=6 A=	0.00	0.10	0.30	0.45	0.65	0.80	1.00	1.30	1.65	2.15	2.90	3.65	4.50	5.40	6.05
K=7 A=	0.00	0.10	0.30	0.45	0.60	0.80	0.95	1.25	1.60	1.90	2.55	3.30	4.05	4.90	5.75

Optima Click 110° for corner doors



Technical specifications:

- Depth of the metal cup 11.3mm
- Cup diameter 35mm
- Opening 110°
- Possibility of door drilling (K) from 3 to 7 mm
- Thickness of the door (T) from 16 to 26 mm
- Genios and OneTouch solutions

ANGLE 24°÷30°



ANGLE 45°



ANGLE 90°



I
A
D

51.XH85.05.30.0 ●
51.XH85.05.30.C ●
51.XH85.05.30.B ●

51.XH85.05.45.0 ●
51.XH85.05.45.C ●
51.XH85.05.45.B ●

51.XH85.M5.90.0 ●
51.XH85.M5.90.C ●
51.XH85.M5.90.B ●

Available with premounted selftapping screws



I
A
D

51.XH86.05.30.M ●
51.XH86.05.30.N ●
51.XH86.05.30.E ●

51.XH86.05.45.M ●
51.XH86.05.45.N ●
51.XH86.05.45.E ●

51.XH86.M5.90.M ●
51.XH86.M5.90.N ●
51.XH86.M5.90.E ●



I
A
D

51.XH86.05.30.* ●
51.XH86.05.30.S ●
51.XH86.05.30.B ●

51.XH86.05.45.* ●
51.XH86.05.45.S ●
51.XH86.05.45.B ●

51.XH86.M5.90.* ●
51.XH86.M5.90.S ●
51.XH86.M5.90.B ●

* 0 = dowels Ø10mm / D = dowels Ø8mm



I
A
D

51.XH88.05.30.V ●
51.XH88.05.30.U ●
51.XH88.05.30.Z ●

51.XH88.05.45.V ●
51.XH88.05.45.U ●
51.XH88.05.45.Z ●

51.XH88.M5.90.V ●
51.XH88.M5.90.U ●
51.XH88.M5.90.Z ●



I
A
D

51.XH89.05.30.0 ●
51.XH89.05.30.S ●
51.XH89.05.30.B ●

51.XH89.05.45.0 ●
51.XH89.05.45.S ●
51.XH89.05.45.B ●

51.XH89.M5.90.0 ●
51.XH89.M5.90.S ●
51.XH89.M5.90.B ●



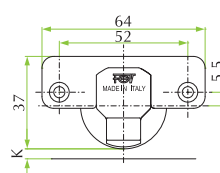
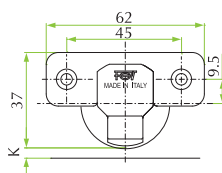
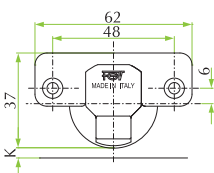
I
A

51.XH8C.05.30.0
51.XH8C.05.30.0

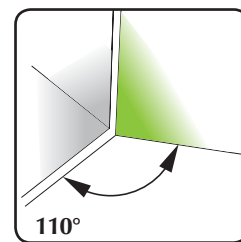
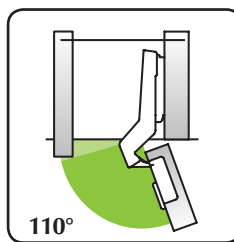
51.XH8C.05.45.0
51.XH8C.05.45.0

51.XH8C.M5.90.0
51.XH8C.M5.90.0

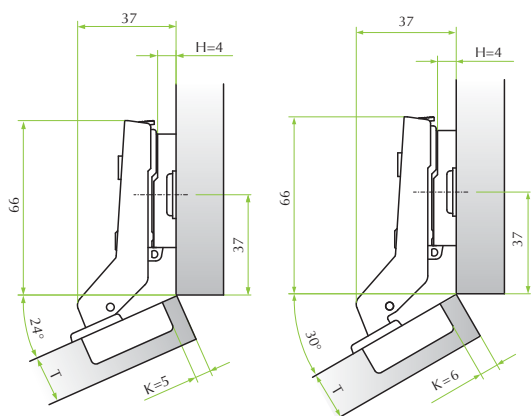
● = G / Genios Solution



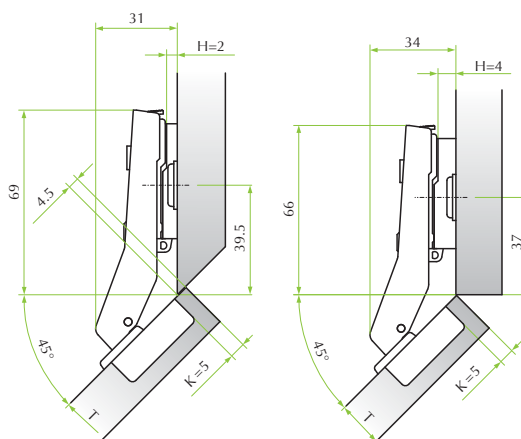
The mounting plates and fittings for this hinge series are shown on page 46 to page 59.



ANGLE 24°÷30°



ANGLE 45°



ANGLE 90°

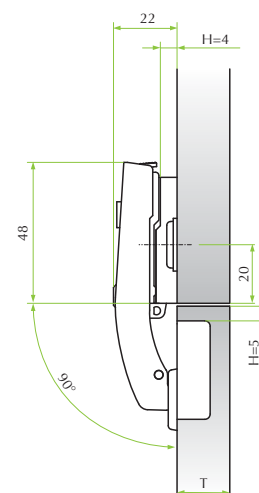


Table to determine the minimum distance **A** so that a door with **T** thickness can open without protrusion from the cabinet and without interfering with adjacent doors.

T=	16	17	18	19	20	21	22	23	24	25	26
K=3 A=	0.55	0.75	1.10	1.45	1.80	2.40	3.10	3.90	4.70	6.70	6.50
K=4 A=	0.55	0.70	1.05	1.40	1.75	2.25	2.85	3.60	4.35	5.75	6.00
K=5 A=	0.53	0.70	1.00	1.35	1.65	2.10	2.65	3.30	4.00	4.75	5.55
K=6 A=	0.50	0.70	0.95	1.25	1.60	2.00	2.50	3.05	3.70	4.40	5.20
K=7 A=	0.50	0.65	0.85	1.20	1.55	1.90	2.35	2.85	3.45	4.10	4.80

Optima Click for corner cabinet



Technical specifications:

- Depth of the metal cup 11.3mm
- Cup diameter 35mm
- Opening 110° with (K) max 4mm e (T) max 18mm
- Possibility of door drilling (K) from 3 to 7 mm
- Thickness of the door (T) from 16 to 26 mm



I
A
D

51.XH83.05.35.0

51.XH83.05.35.C

51.XH83.05.35.B

Available with premounted selftapping screws



I
A
D

51.XH84.05.35.M

51.XH84.05.35.N

51.XH84.05.35.E



I
A
D

51.XH84.05.35.*

51.XH84.05.35.S

51.XH84.05.35.B

* 0 = dowels Ø10mm / D = dowels Ø8mm



I
A
D

51.XH88.05.35.V

51.XH88.05.35.U

51.XH88.05.35.Z



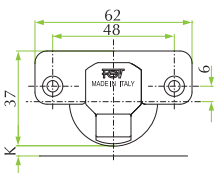
I
A
D

51.XH89.05.35.0

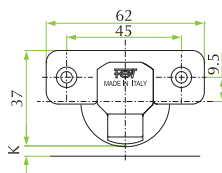
51.XH89.05.35.S

51.XH89.05.35.B

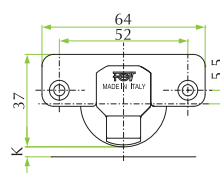
I



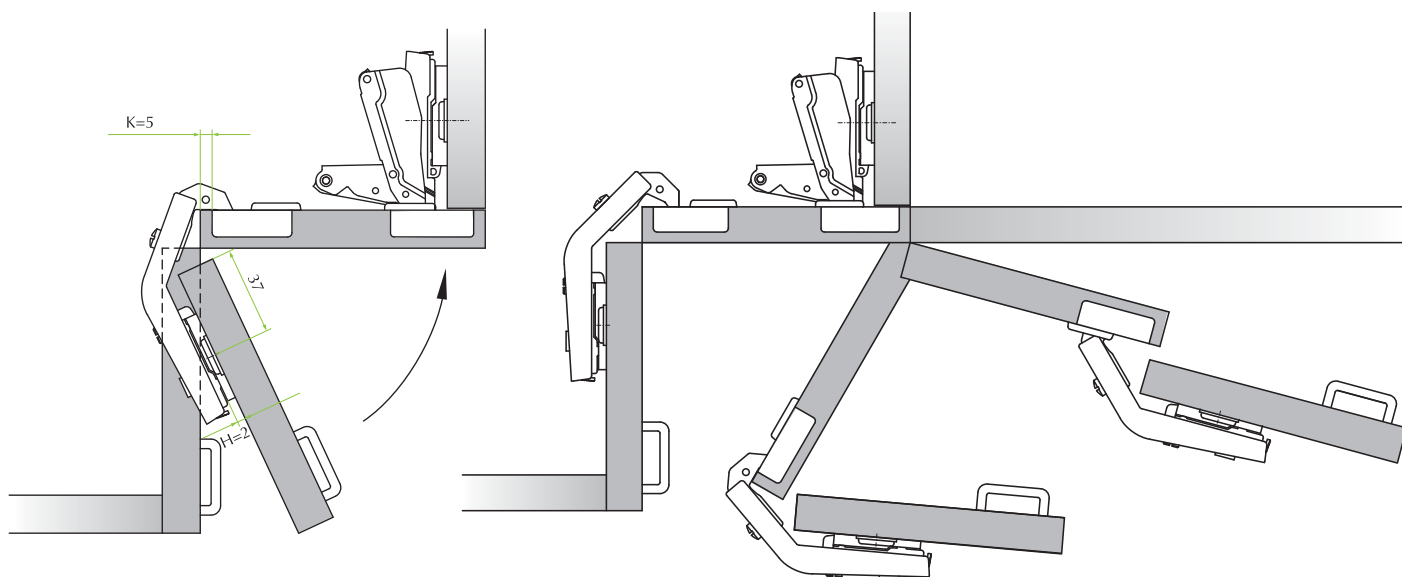
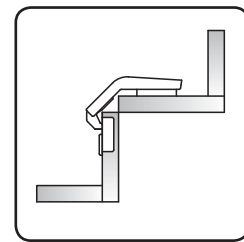
A



D



The mounting plates and fittings for this hinge series are shown from page 46 to page 59.



Optima Click 105° for doors with aluminium frame



Technical specifications:

- Depth of the zamak cup 9.9mm
- Cup drilling 28x7mm
- Opening 105°
- Aluminium frame from min. 19 to max 25 mm
- OneTouch solutions

FIXING FOR GROOVED PROFILE

CRANK 0



51.XS91.05.00.0 ●

CRANK 8



51.XS91.05.08.0 ●

CRANK 15

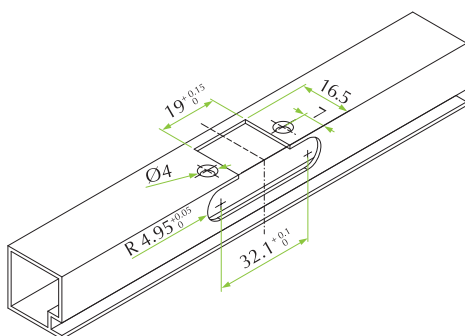


51.XS91.05.15.0 ●

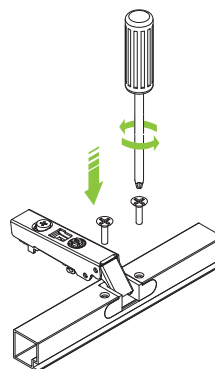
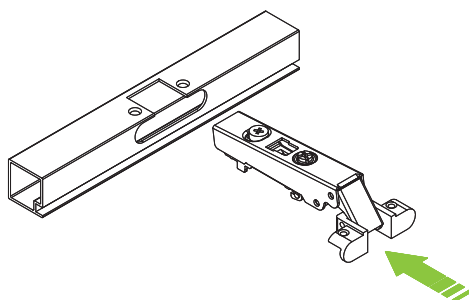
● = G / Genios Solution

Drilling holes:

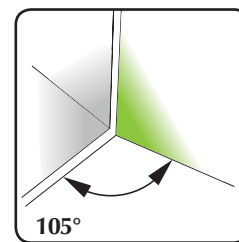
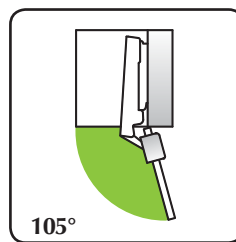
The two laterals drillings are Ø4mm and are countersunk with 120°.
Screws Ø3.5x12 mm supplied on demand under code 1A05512105000.



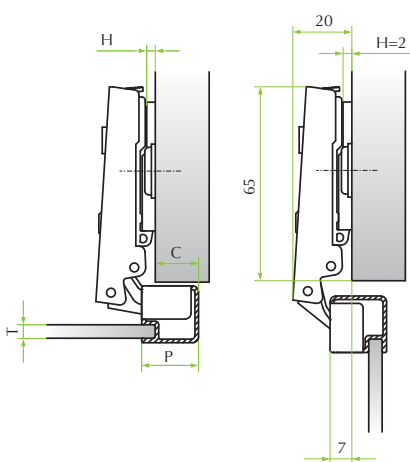
Assembly instructions:



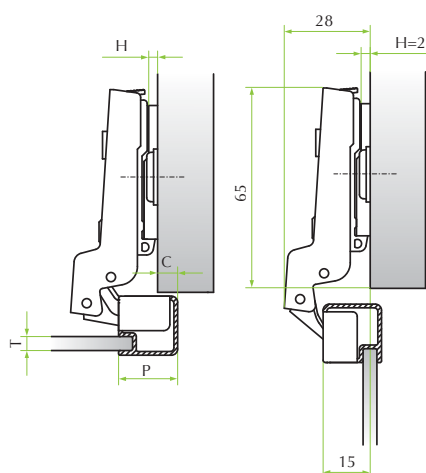
The mounting plates and fittings for this hinge series are shown from page 46 to page 59.



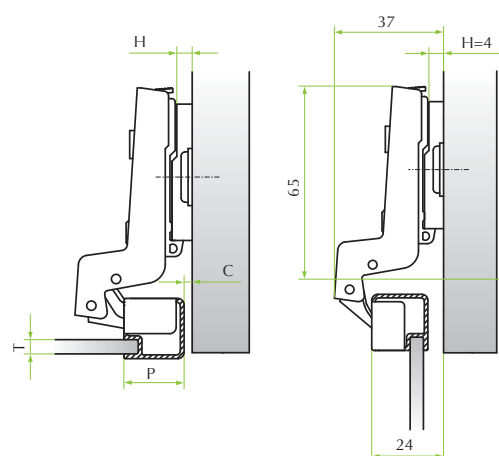
CRANK 0
For lay-on doors



CRANK 8
For partial lay-on doors



CRANK 15
For inset doors



15	2													
14														
13	4													
12														
11	6													

Mounting plates (H)

7	2													
6														
5	4													
4														
3	6													

Mounting plates (H)

0	2													
1														
2	4													
3														
4	6													

Mounting plates (H)

Table to determinate the minimum distance **A** so that a door with **T** thickness can open without protrusion from the cabinet and without interfering with adjacent doors.

T=		19	20	21	22	23	24	25	26
P=19	A=	0.40	0.65	1.00	1.40	2.30	3.20	4.00	5.00
P=20	A=	0.40	0.60	0.80	1.20	1.70	2.60	3.40	4.30
P=21	A=	0.40	0.50	0.75	1.10	1.30	2.10	2.90	3.70
P=22	A=	0.40	0.50	0.75	1.00	1.30	1.80	2.50	3.30
P=23	A=	0.40	0.50	0.75	0.90	1.30	1.60	2.20	2.90
P=24	A=	0.30	0.50	0.70	0.90	1.20	1.55	2.00	2.60
P=25	A=	0.30	0.50	0.70	0.90	1.10	1.40	1.90	2.40

Optima Click 105° for doors with aluminium frame



Technical specifications:

- Depth of the zamak cup 9.9mm
- Opening 105°
- Aluminium frame from min. 19 to max 25 mm

LOCK FIXING

CRANK 0



51.XS81.05.00.0

CRANK 8



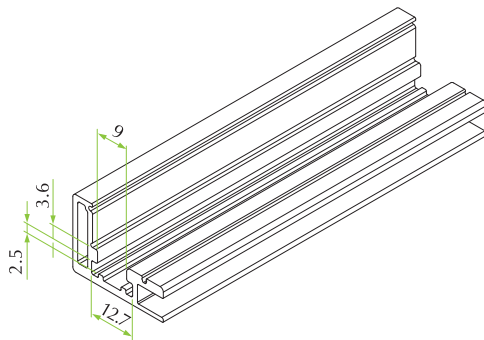
51.XS81.05.08.0

CRANK 15

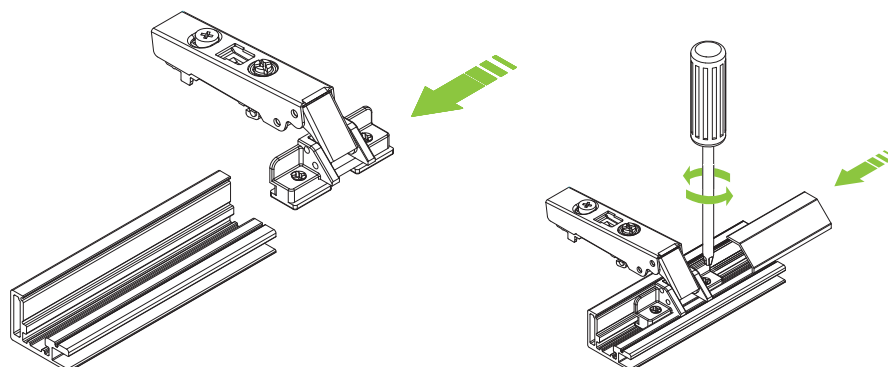


51.XS81.05.15.0

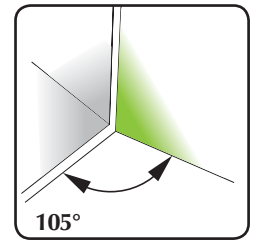
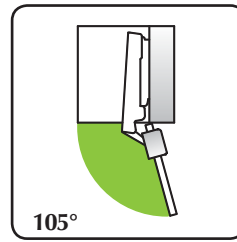
Aluminium frame:



Assembly instructions:



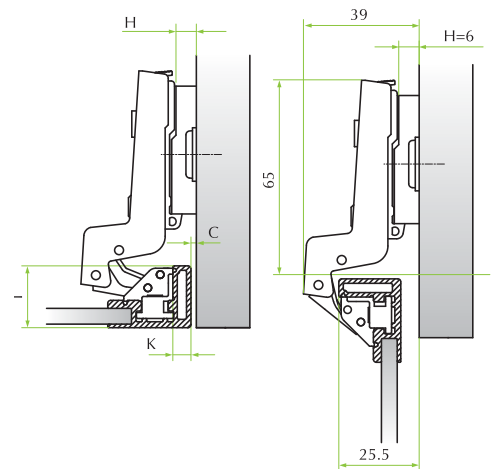
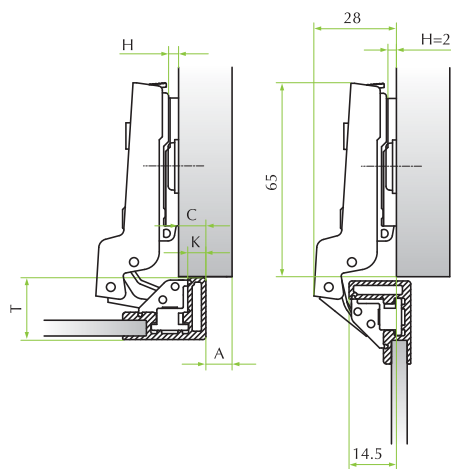
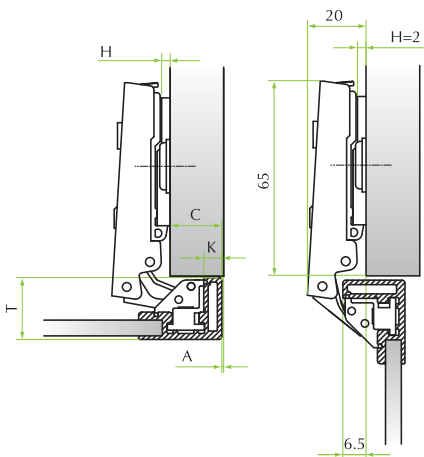
The mounting plates and fittings for this hinge series are shown from page 46 to page 59.



CRANK 0
For lay-on doors

CRANK 8
For partial lay-on doors

CRANK 15
For inset doors



		Drilling distance (K)						
		3	4	5	6	7		
Overlay (C)	19					2		
	18				2			
	17			2		4		
	16		2		4			
	15	2		4		6		
	14		4		6			
	13			4		6		
	12				6			
11	6							

Mounting plates (H)

		Drilling distance (K)						
		3	4	5	6	7		
Overlay (C)	11					2		
	10				2			
	9			2		4		
	8		2		4			
	7	2		4		6		
	6		4		6			
	5			4		6		
	4				6			
3	6							

Mounting plates (H)

		Drilling distance (K)						
		3	4	5	6	7		
Overlay (C)	0	2		4		6		
	1		4		6			
	2			4		6		
	3				4	6		
	4						4	6

Mounting plates (H)

Table to determine the minimum distance **A** so that a door with **T** thickness can open without protrusion from the cabinet and without interfering with adjacent doors.

T=	16	17	18	19	20	21	22	23	24	25	26
K=3 A=	0.55	0.75	1.10	1.45	1.80	2.40	3.10	3.90	4.70	6.70	6.50
K=4 A=	0.55	0.70	1.05	1.40	1.75	2.25	2.85	3.60	4.35	5.75	6.00
K=5 A=	0.53	0.70	1.00	1.35	1.65	2.10	2.65	3.30	4.00	4.75	5.55
K=6 A=	0.50	0.70	0.95	1.25	1.60	2.00	2.50	3.05	3.70	4.40	5.20
K=7 A=	0.50	0.65	0.85	1.20	1.55	1.90	2.35	2.85	3.45	4.10	4.80

Optima Click 90° Ø40 for thick doors



Technical specifications:

- Depth of the metal cup 12.8mm
- Cup diameter 40mm
- Opening 90°
- Possibility of door drilling (K) from 3 to 15 mm
- Thickness of the door (T) from 16 to 40 mm
- OneTouch solutions

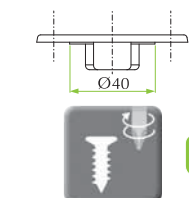
CRANK 0



CRANK 8

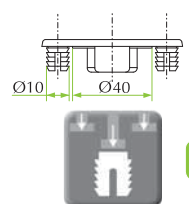


CRANKS 15, 22 TO PAGE 44 >>>



51.XH45.05.00.0

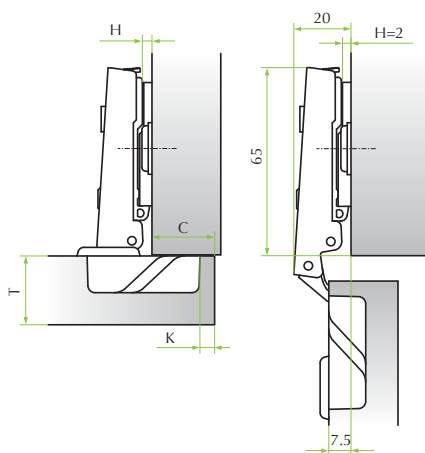
51.XH45.05.08.0



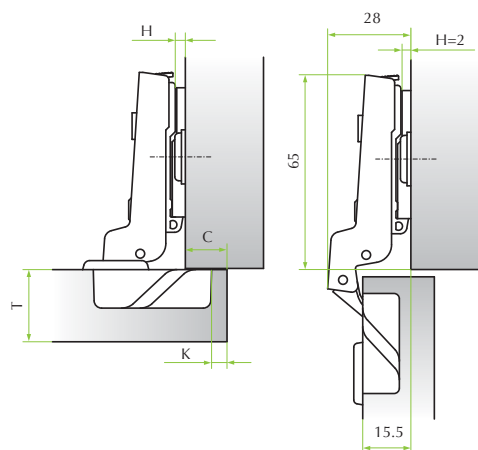
51.XH46.05.00.0

51.XH46.05.08.0

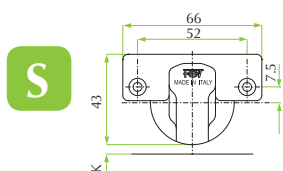
CRANK 0
For lay-on doors



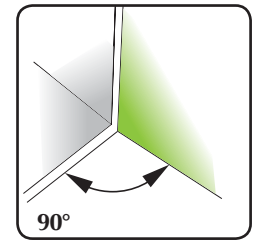
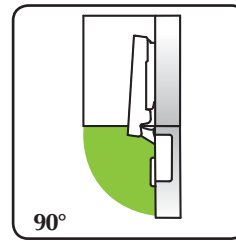
CRANK 8
For partial lay-on doors



CUP HOLE DISTANCE 52x7.5mm



The mounting plates and fittings for this hinge series are shown from page 46 to page 59.



CRANK 0
For lay-on doors

		Drilling distance (K)													
		4	5	6	7	8	9	10	11	12	13	14	15		
Overlay (C)	32										0		2		
	31									0		2			
	30								0		2		4		
	29							0		2		4			
	28					0		2		4		6			
	27				0		2		4		6				
	26			0		2		4		6					
	25		0		2		4		6						
	24	0		2		4		6							
	23	0	2		4		6								
	22	2		4		6									
	21	2	4		6										
	20	4		6											
	19	4	6												
	18	6													
17	6														
Mounting plates (H)															

CRANK 8
For partial lay-on doors

		Drilling distance (K)													
		4	5	6	7	8	9	10	11	12	13	14	15		
Overlay (C)	24										0		2		
	23									0		2			
	22								0		2		4		
	21							0		2		4			
	20					0		2		4		6			
	19				0		2		4		6				
	18			0		2		4		6					
	17		0		2		4		6						
	16	0		2		4		6							
	15	0	2		4		6								
	14	2		4		6									
	13	2	4		6										
	12	4		6											
	11	4	6												
	10	6													
9	6														
Mounting plates (H)															

Table to determinate the minimum distance **A** so that a door with **T** thickness can open without protrusion from the cabinet and without interfering with adjacent doors.

T=	20	21	22	23	24	25	26	27	28	29	30	31	32	33	34	35	36	37	38	39	40
K=3 A=	0.20	0.35	0.55	0.70	0.90	1.05	1.25	1.40	1.60	2.25	3.20	4.15	5.05	6.05	7.00	8.00	9.00	9.95	10.95	11.95	12.95
K=4 A=	0.20	0.35	0.50	0.70	0.85	1.05	1.20	1.40	1.55	1.75	2.55	3.45	4.40	5.35	6.30	7.25	8.15	9.15	10.15	11.10	12.10
K=5 A=	0.15	0.35	0.50	0.70	0.85	1.05	1.20	1.40	1.55	1.70	2.05	2.80	3.75	4.70	5.65	6.55	7.50	8.45	9.40	10.35	11.25
K=6 A=	0.15	0.30	0.50	0.65	0.85	1.00	1.20	1.35	1.55	1.70	2.00	2.30	3.10	4.05	4.95	5.90	6.85	7.80	8.75	9.65	10.60
K=7 A=	0.15	0.30	0.50	0.65	0.85	1.00	1.15	1.35	1.50	1.70	1.90	2.25	2.60	3.50	4.35	5.25	6.20	7.15	8.05	9.00	9.95
K=8 A=	0.10	0.30	0.45	0.65	0.80	1.00	1.15	1.35	1.50	1.70	1.85	2.20	2.55	3.00	3.85	4.70	5.60	6.50	7.40	8.35	9.30
K=9 A=	0.10	0.25	0.45	0.60	0.80	0.95	1.15	1.30	1.50	1.65	1.85	2.15	2.50	2.80	3.35	4.20	5.10	5.95	6.80	7.70	8.65
K=10 A=	0.10	0.25	0.45	0.60	0.80	0.95	1.15	1.30	1.50	1.65	1.85	2.10	2.40	2.75	3.10	3.70	4.60	5.45	6.30	7.20	8.05
K=11 A=	0.05	0.25	0.40	0.60	0.75	0.95	1.10	1.30	1.45	1.60	1.80	2.00	2.35	2.70	3.05	3.40	4.10	4.95	5.80	6.70	7.55
K=12 A=	0.05	0.25	0.40	0.60	0.75	0.90	1.10	1.25	1.45	1.60	1.80	1.95	2.30	2.65	3.00	3.35	3.75	4.50	5.30	6.20	7.05
K=13 A=	0.05	0.20	0.40	0.55	0.75	0.90	1.10	1.25	1.45	1.60	1.80	1.95	2.25	2.60	2.90	3.25	3.60	4.15	4.90	5.70	6.55
K=14* A=	0.05	0.20	0.40	0.55	0.70	0.90	1.05	1.25	1.40	1.60	1.75	1.95	2.10	2.50	2.85	3.20	3.55	3.90	4.55	5.35	6.05
K=15* A=	0.00	0.20	0.35	0.55	0.70	0.90	1.05	1.25	1.40	1.55	1.75	1.90	2.10	2.45	2.80	3.15	3.50	3.85	4.25	4.95	5.75

* L= 0,77 • L= 1,76

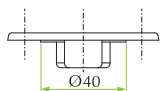
Optima Click 90° Ø40 for thick doors



<<< CRANK 0, 8
TO PAGE 42

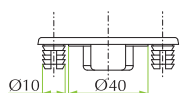
CRANK 15

CRANK 22



51.XH45.05.15.0

51.XH45.05.22.0

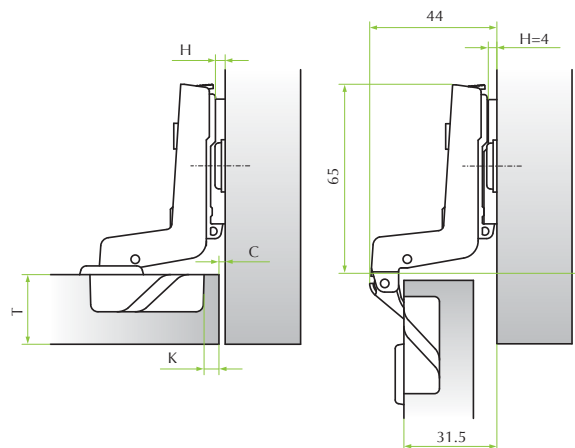
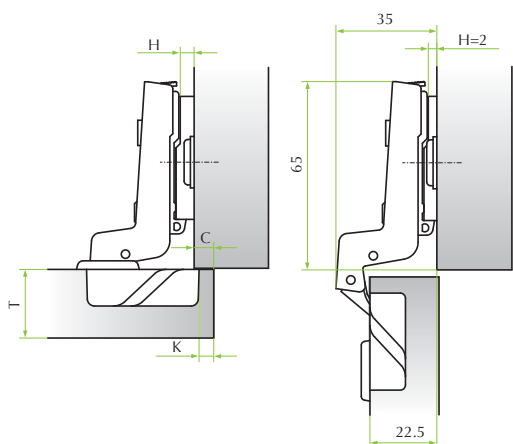


51.XH46.05.15.0

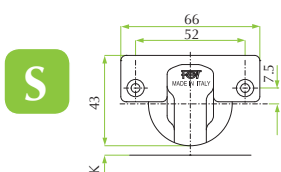
51.XH46.05.22.0

CRANK 15
For partial lay-on doors

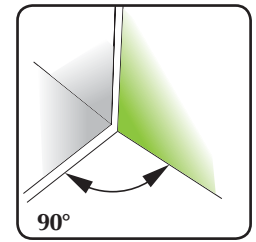
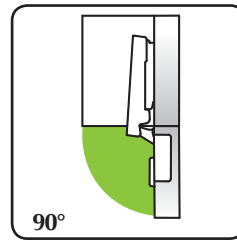
CRANK 22
For inset doors



CUP HOLE DISTANCE 52x7.5mm



The mounting plates and fittings for this hinge series are shown from page 46 to page 59.



CRANK 15
For partial lay-on doors

		Drilling distance (K)															
		4	5	6	7	8	9	10	11	12	13	14	15				
Overlay (C)	17									0		2					
	16									0		2					
	15									0		2		4			
	14								0		2		4				
	13						0		2		4		6				
	12					0		2		4		6					
	11				0		2		4		6						
	10			0		2		4		6							
	9		0		2		4		6								
	8	0		2		4		6									
	7		2		4		6										
	6		2		4		6										
	5		4		6												
	4		4		6												
	3			6													
2			6														
														Mounting plates (H)			

CRANK 22
For inset doors

		Drilling distance (K)														
		4	5	6	7	8	9	10	11	12						
Overlay (C)	0		2		4		6									
	1	2		4		6										
	2		4		6											
	3	4		6												
	4		6													
	5	6														
	6															
	7															
												Mounting plates (H)				

Table to determinate the minimum distance **A** so that a door with **T** thickness can open without protrusion from the cabinet and without interfering with adjacent doors.

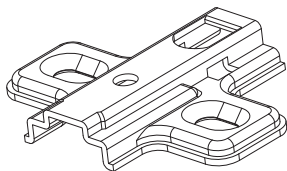
T=	20	21	22	23	24	25	26	27	28	29	30	31	32	33	34	35	36	37	38	39	40
K=3 A=	0.20	0.35	0.55	0.70	0.90	1.05	1.25	1.40	1.60	2.25	3.20	4.15	5.05	6.05	7.00	8.00	9.00	9.95	10.95	11.95	12.95
K=4 A=	0.20	0.35	0.50	0.70	0.85	1.05	1.20	1.40	1.55	1.75	2.55	3.45	4.40	5.35	6.30	7.25	8.15	9.15	10.15	11.10	12.10
K=5 A=	0.15	0.35	0.50	0.70	0.85	1.05	1.20	1.40	1.55	1.70	2.05	2.80	3.75	4.70	5.65	6.55	7.50	8.45	9.40	10.35	11.25
K=6 A=	0.15	0.30	0.50	0.65	0.85	1.00	1.20	1.35	1.55	1.70	2.00	2.30	3.10	4.05	4.95	5.90	6.85	7.80	8.75	9.65	10.60
K=7 A=	0.15	0.30	0.50	0.65	0.85	1.00	1.15	1.35	1.50	1.70	1.90	2.25	2.60	3.50	4.35	5.25	6.20	7.15	8.05	9.00	9.95
K=8 A=	0.10	0.30	0.45	0.65	0.80	1.00	1.15	1.35	1.50	1.70	1.85	2.20	2.55	3.00	3.85	4.70	5.60	6.50	7.40	8.35	9.30
K=9 A=	0.10	0.25	0.45	0.60	0.80	0.95	1.15	1.30	1.50	1.65	1.85	2.15	2.50	2.80	3.35	4.20	5.10	5.95	6.80	7.70	8.65
K=10 A=	0.10	0.25	0.45	0.60	0.80	0.95	1.15	1.30	1.50	1.65	1.85	2.10	2.40	2.75	3.10	3.70	4.60	5.45	6.30	7.20	8.05
K=11 A=	0.05	0.25	0.40	0.60	0.75	0.95	1.10	1.30	1.45	1.60	1.80	2.00	2.35	2.70	3.05	3.40	4.10	4.95	5.80	6.70	7.55
K=12 A=	0.05	0.25	0.40	0.60	0.75	0.90	1.10	1.25	1.45	1.60	1.80	1.95	2.30	2.65	3.00	3.35	3.75	4.50	5.30	6.20	7.05
K=13 A=	0.05	0.20	0.40	0.55	0.75	0.90	1.10	1.25	1.45	1.60	1.80	1.95	2.25	2.60	2.90	3.25	3.60	4.15	4.90	5.70	6.55
K=14*A=	0.05	0.20	0.40	0.55	0.70	0.90	1.05	1.25	1.40	1.60	1.75	1.95	2.10	2.50	2.85	3.20	3.55	3.90	4.55	5.35	6.05
K=15*A=	0.00	0.20	0.35	0.55	0.70	0.90	1.05	1.25	1.40	1.55	1.75	1.90	2.10	2.45	2.80	3.15	3.50	3.85	4.25	4.95	5.75

* L= 0,77 • L= 1,76

Series Optima Click

HOW TO CHOOSE YOUR MOUNTING PLATE

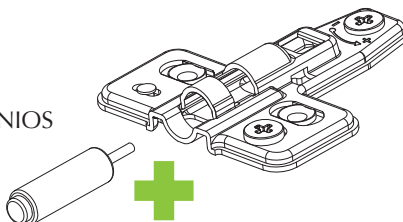
OPTIMA STANDARD MOUNTING PLATE



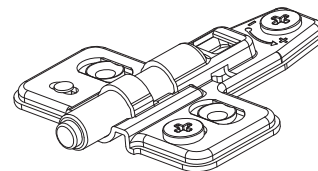
GENIOS R OPTIMA RETROFIT MOUNTING PLATE



OPTIMA GENIOS DAMPER



GENIOS G OPTIMA INTEGRATED MOUNTING PLATE



Genios Optima damper for Genios Optima Retrofit mounting plate.

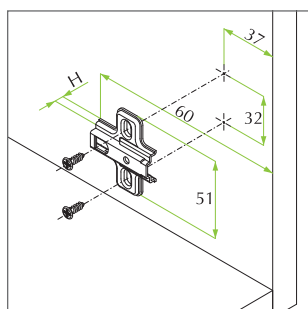


Code

4H.0LAM.GU.X5.0CF

Metal cruciform mounting plate. Selftapping screw fixing. Vertical adjustment.
Screws are provided on demand.

37



Height

H=2

H=4

H=6

Material

Steel

Steel

Steel

Code

52.0401.M5.02.0

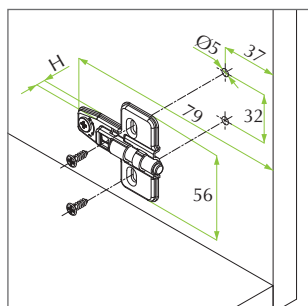
52.0401.M5.04.0

52.0401.M5.06.0

Metal cruciform mounting plate. Selftapping screw fixing. Vertical adjustment.
Screws are provided on demand.



37



Height

H=2

H=4

Material

Steel

Steel

Code

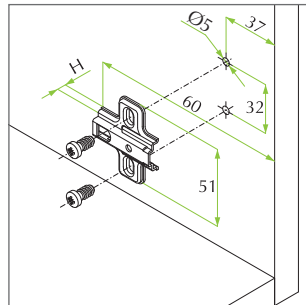
52.0401.M5.02.0 ●

52.0401.M5.04.0 ●

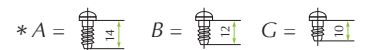
● = G / Genios Integrated Solution
R / Genios Retrofit Solution

Metal cruciform mounting plate. Euro screws premounted. Vertical adjustment.

37

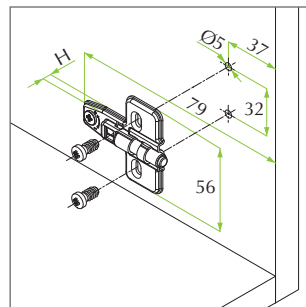


Height	Material	Code
H=2	Steel	52.0416.M5.02.*
H=4	Steel	52.0416.M5.04.*
H=6	Steel	52.0416.M5.06.*
H=10	Zama	52.0416.05.10.*



Metal cruciform mounting plate. Euro screws premounted. Vertical adjustment.

37

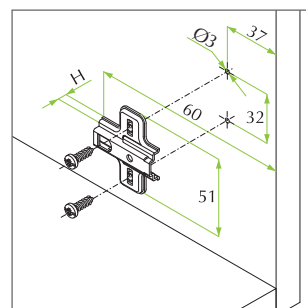


Height	Material	Code
H=2	Steel	52.0416.M5.02.* ●
H=4	Steel	52.0416.M5.04.* ●



Metal cruciform mounting plate. Premounted selftapping screws Ø4.7mm. Vertical adjustment.

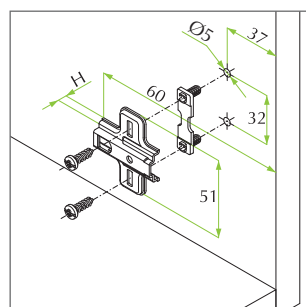
37



Height	Material	Code
H=2	Steel	52.04G5.M5.02.0
H=4	Steel	52.04G5.M5.04.0
H=6	Steel	52.04G5.M5.06.0

Metal cruciform mounting plate. Fixing by expanding X-Pando dowels Ø5mm. Vertical adjustment.

37

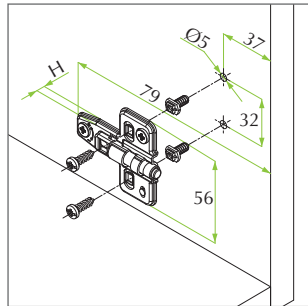


Height	Material	Code
H=2	Steel	52.04N5.M5.02.*
H=4	Steel	52.04N5.M5.04.*
H=6	Steel	52.04N5.M5.06.*



Series Optima Click

Metal cruciform mounting plate. Fixing by expanding X-Pando dowels Ø5mm. Vertical adjustment.



Height

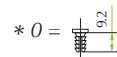
H=2
H=4

Material

Steel
Steel

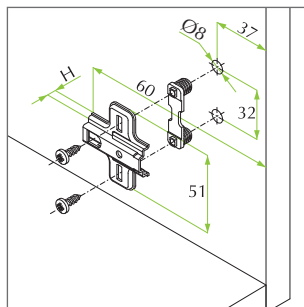
Code

52.04N5.M5.02.*
52.04N5.M5.04.*



● = G / Genios Integrated Solution
R / Genios Retrofit Solution

Metal cruciform mounting plate. Knock-in fixing with dowels Ø8mm. Vertical adjustment.



Height

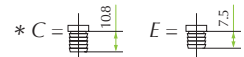
H=2
H=4
H=6

Material

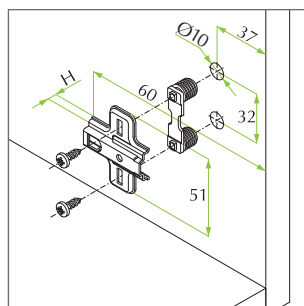
Steel
Steel
Steel

Code

52.04*5.M5.02.0
52.04*5.M5.04.0
52.04*5.M5.06.0



Metal cruciform mounting plate. Knock-in fixing with dowels Ø10mm. Vertical adjustment.



Height

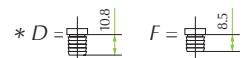
H=2
H=4
H=6

Material

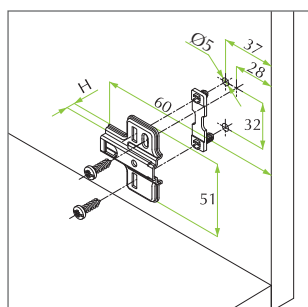
Steel
Steel
Steel

Code

52.04*5.M5.02.0
52.04*5.M5.04.0
52.04*5.M5.06.0



Asymmetric mounting plate for central panel. Fixing by dowels and premounted selftapping screws. Vertical adjustment.



Height

H=2
H=4

Material

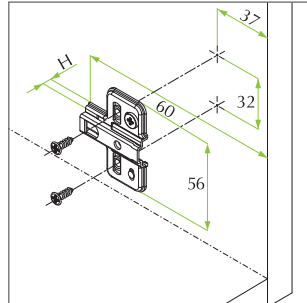
Steel
Steel

Code

52.54N7.M5.02.0
52.54N7.M5.04.0

Metal cruciform mounting plate. Selftapping screw fixing. Independent vertical adjustment with CAM.
Screws are provided on demand.

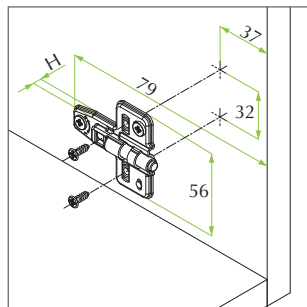
37



Height	Material	Code
H=2	Steel	52.R444.L5.02.0
H=4	Steel	52.R444.L5.04.0

Metal cruciform mounting plate. Selftapping screw fixing. Independent vertical adjustment with CAM.
Screws are provided on demand.

37

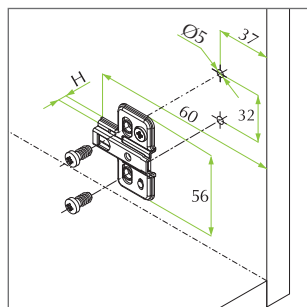


Height	Material	Code
H=2	Steel	52.R444.L5.02.0
H=4	Steel	52.R444.L5.04.0

= G / Genios Integrated Solution
R / Genios Retrofit Solution

Metal cruciform mounting plate. Euro screws premounted. Independent vertical adjustment with CAM.

37

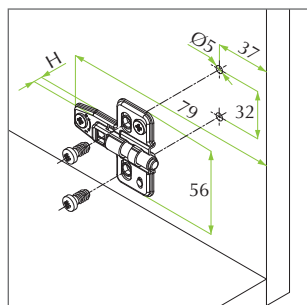
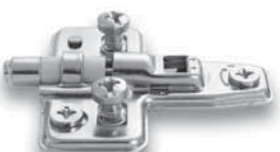


Height	Material	Code
H=2	Steel	52.R447.L5.02.*
H=4	Steel	52.R447.L5.04.*

* A = B = G =

Metal cruciform mounting plate. Euro screws premounted. Independent vertical adjustment with CAM.

37



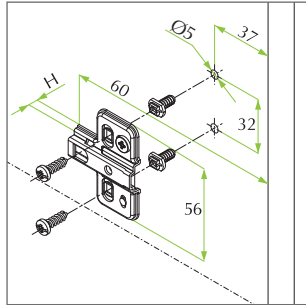
Height	Material	Code
H=2	Steel	52.R447.L5.02.*
H=4	Steel	52.R447.L5.04.*

* A = B = G = = G / Genios Integrated Solution
R / Genios Retrofit Solution

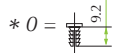
Series Optima Click

Metal cruciform mounting plate. Fixing by expanding X-Pando dowels Ø5mm. Independent vertical adjustment with CAM.

37

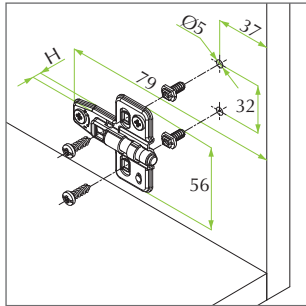
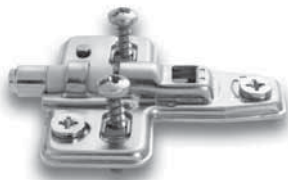


Height	Material	Code
H=2	Steel	52.R4N5.L5.02.*
H=4	Steel	52.R4N5.L5.04.*

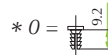


Metal cruciform mounting plate. Fixing by expanding X-Pando dowels Ø5mm. Independent vertical adjustment with CAM.

37



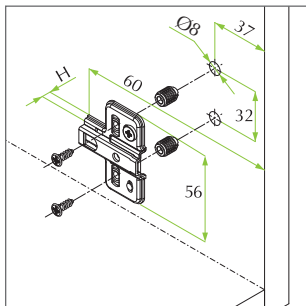
Height	Material	Code
H=2	Steel	52.R4N5.L5.02.*
H=4	Steel	52.R4N5.L5.04.*



= G / Genios Integrated Solution
R / Genios Retrofit Solution

Metal cruciform mounting plate. Knock-in fixing with dowels Ø8mm. Independent vertical adjustment with CAM.

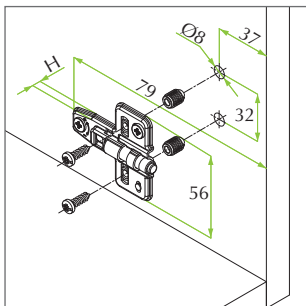
37



Height	Material	Code
H=2	Steel	52.R445.L5.02.0
H=4	Steel	52.R445.L5.04.0

Metal cruciform mounting plate. Knock-in fixing with dowels Ø8mm. Independent vertical adjustment with CAM.

37

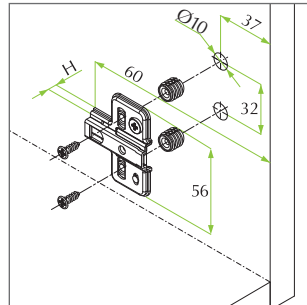


Height	Material	Code
H=2	Steel	52.R445.L5.02.0
H=4	Steel	52.R445.L5.04.0

= G / Genios Integrated Solution
R / Genios Retrofit Solution

Metal cruciform mounting plate. Knock-in fixing with dowels Ø10mm. Independent vertical adjustment with CAM.

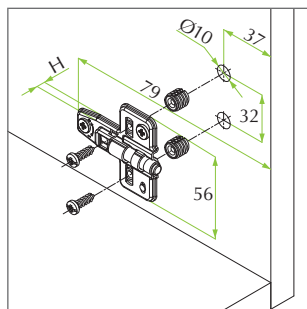
37





Height	Material	Code
H=2	Steel	52.R446.L5.02.0
H=4	Steel	52.R446.L5.04.0

Metal cruciform mounting plate. Knock-in fixing with dowels Ø10mm. Independent vertical adjustment with CAM.

 37

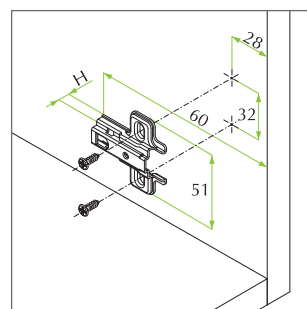
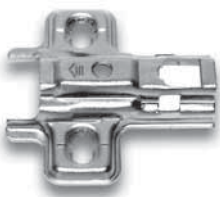


Height	Material	Code
H=2	Steel	52.R446.L5.02.0 
H=4	Steel	52.R446.L5.04.0 

 = G / Genios Integrated Solution
R / Genios Retrofit Solution

Metal cruciform mounting plate. Selftapping screw fixing. Vertical adjustment. Screws are provided on demand.

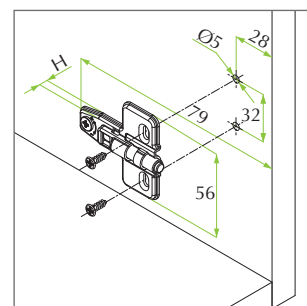
28





Height	Material	Code
H=4	Steel	52.0422.M5.04.0

Metal cruciform mounting plate. Selftapping screw fixing. Vertical adjustment. Screws are provided on demand.

 28



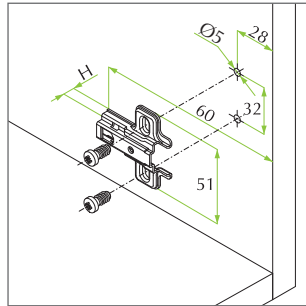
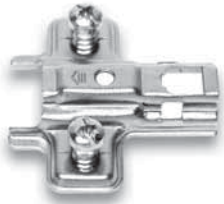
Height	Material	Code
H=2	Steel	52.0422.05.02.0 
H=4	Steel	52.0422.05.04.0 

 = G / Genios Integrated Solution
R / Genios Retrofit Solution

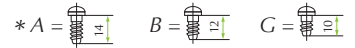
Series Optima Click

Metal cruciform mounting plate. Euro screws premounted. Vertical adjustment.

28

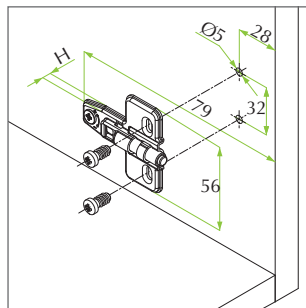


Height	Material	Code
H=4	Steel	52.0421.M5.04.*



Metal cruciform mounting plate. Euro screws premounted. Vertical adjustment.

28

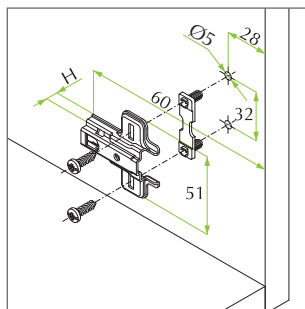
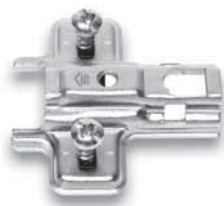


Height	Material	Code
H=2	Steel	52.0421.05.02.* ●
H=4	Steel	52.0421.05.04.* ●

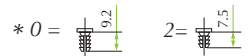


Metal cruciform mounting plate. Fixing by expanding X-Pando dowels Ø5mm. Vertical adjustment.

28

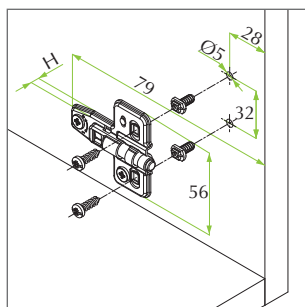


Height	Material	Code
H=4	Steel	52.04N1.M5.04.*



Metal cruciform mounting plate. Fixing by expanding X-Pando dowels Ø5mm. Vertical adjustment.

28

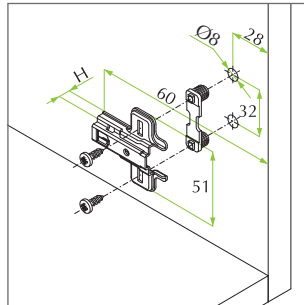
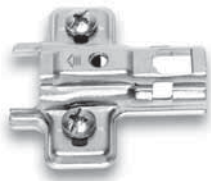


Height	Material	Code
H=2	Steel	52.04N1.05.02.* ●
H=4	Steel	52.04N1.05.04.* ●



Metal cruciform mounting plate. Knock-in fixing with dowels Ø8mm. Vertical adjustment.
Not compatible with SlowMotion solutions.

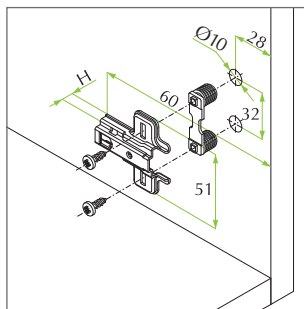
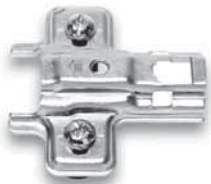
28



Height	Material	Code
H=4	Steel	52.04C1.M5.04.0

Metal cruciform mounting plate. Knock-in fixing with dowels Ø10mm. Vertical adjustment.

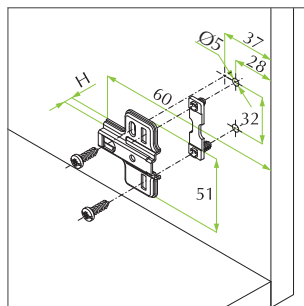
28



Height	Material	Code
H=4	Steel	52.04D1.M5.04.0

Asymmetric mounting plate for central panel. Fixing by dowels and premounted selftapping screws. Vertical adjustment.

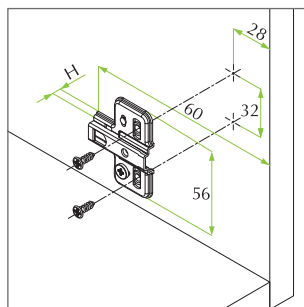
28



Height	Material	Code
H=2	Steel	52.54N3.M5.02.0
H=4	Steel	52.54N3.M5.04.0

Metal cruciform mounting plate. Selftapping screw fixing. Independent vertical adjustment with CAM.
Screws are provided on demand.

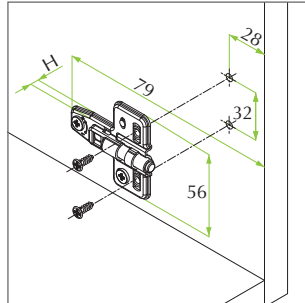
28



Height	Material	Code
H=2	Steel	52.R464.L5.02.0
H=4	Steel	52.R464.L5.04.0

Series Optima Click

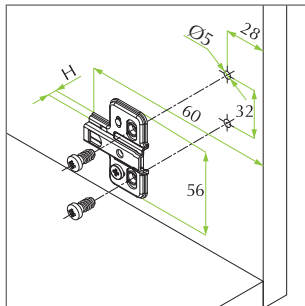
Metal cruciform mounting plate. Selftapping screw fixing. Independent vertical adjustment with CAM.
Screws are provided on demand.



Height	Material	Code
H=2	Steel	52.R464.L5.02.0
H=4	Steel	52.R464.L5.04.0

= G / Genios Integrated Solution
R / Genios Retrofit Solution

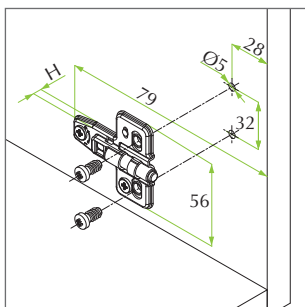
Metal cruciform mounting plate. Euro screws premounted. Independent vertical adjustment with CAM.



Height	Material	Code
H=2	Steel	52.R467.L5.02.*
H=4	Steel	52.R467.L5.04.*

* A = B = G =

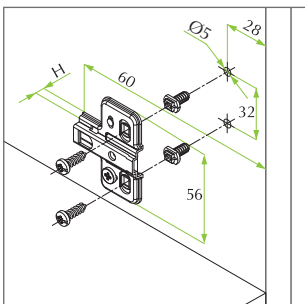
Metal cruciform mounting plate. Euro screws premounted. Independent vertical adjustment with CAM.



Height	Material	Code
H=2	Steel	52.R467.L5.02.*
H=4	Steel	52.R467.L5.04.*

* A = B = G = = G / Genios Integrated Solution
R / Genios Retrofit Solution

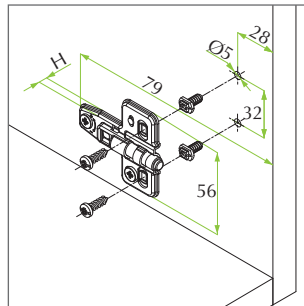
Metal cruciform mounting plate. Fixing by expanding X-Pando dowels Ø5mm. Independent vertical adjustment with CAM.



Height	Material	Code
H=2	Steel	52.R4N1.L5.02.*
H=4	Steel	52.R4N1.L5.04.*

* O =

Metal cruciform mounting plate. Fixing by expanding X-Pando dowels Ø5mm. Independent vertical adjustment with CAM.

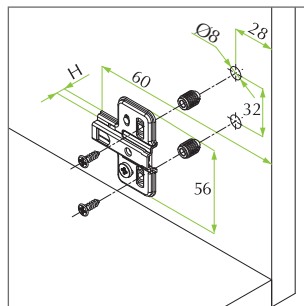


Height	Material	Code
H=2	Steel	52.R4N1.L5.02.*
H=4	Steel	52.R4N1.L5.04.*

* 0 = 9.2

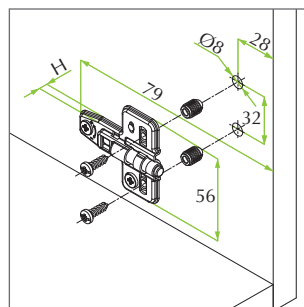
= G / Genios Integrated Solution
 = R / Genios Retrofit Solution

Metal cruciform mounting plate. Knock-in fixing with dowels Ø8mm. Independent vertical adjustment with CAM.



Height	Material	Code
H=2	Steel	52.R465.L5.02.0
H=4	Steel	52.R465.L5.04.0

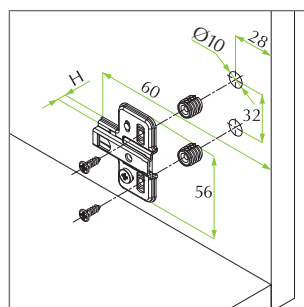
Metal cruciform mounting plate. Knock-in fixing with dowels Ø8mm. Independent vertical adjustment with CAM.



Height	Material	Code
H=2	Steel	52.R465.L5.02.0
H=4	Steel	52.R465.L5.04.0

= G / Genios Integrated Solution
 = R / Genios Retrofit Solution

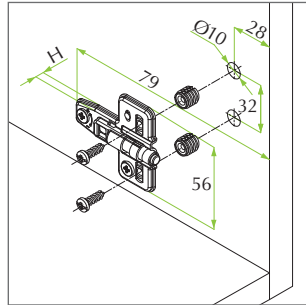
Metal cruciform mounting plate. Knock-in fixing with dowels Ø10mm. Independent vertical adjustment with CAM.



Height	Material	Code
H=2	Steel	52.R466.L5.02.0
H=4	Steel	52.R466.L5.04.0

Series Optima Click

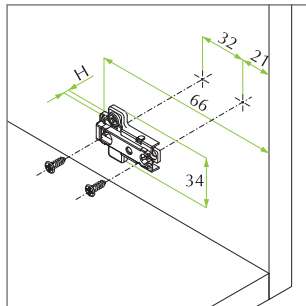
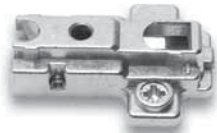
Metal cruciform mounting plate. Knock-in fixing with dowels Ø10mm. Independent vertical adjustment with CAM.



Height	Material	Code
H=2	Steel	52.R466.L5.02.0
H=4	Steel	52.R466.L5.04.0

= G / Genios Integrated Solution
R / Genios Retrofit Solution

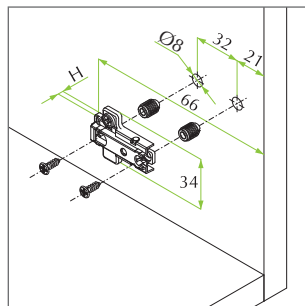
Zamak linear mounting plate. Selftapping screw fixing 3.5x15mm. Independent vertical adjustment with CAM.
Screws are provided on demand (code 1A03050418000).



Height	Material	Code
H=3	Zamak	52.0448.R5.03.0
H=5	Zamak	52.0448.R5.05.0*

* Mounting plate provided on demand for minimum quantity ordered

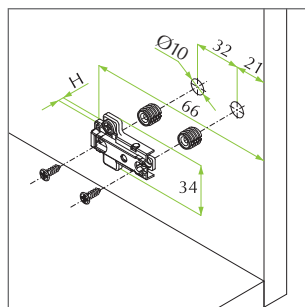
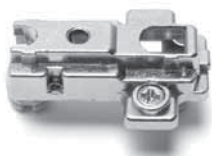
Zamak linear mounting plate. Knock-in fixing with dowels Ø8mm. Independent vertical adjustment with CAM.



Height	Material	Code
H=3	Zamak	52.0449.R5.03.0
H=5	Zamak	52.0449.R5.05.0*

* Mounting plate provided on demand for minimum quantity ordered

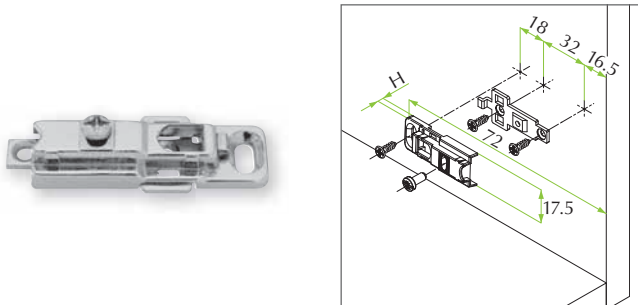
Zamak linear mounting plate. Knock-in fixing with dowels Ø10mm. Independent vertical adjustment with CAM.



Height	Material	Code
H=3	Zamak	52.0450.R5.03.0
H=5	Zamak	52.0450.R5.05.0*

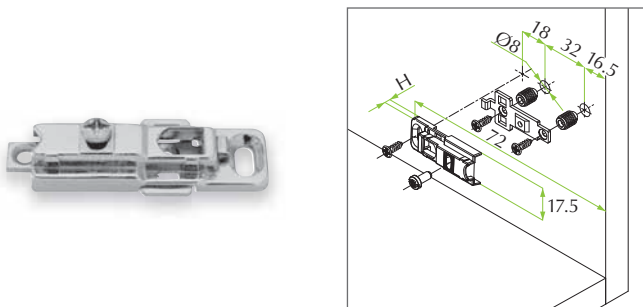
* Mounting plate provided on demand for minimum quantity ordered

Zamak linear mounting plate. Selftapping screw fixing 3.5x15mm. Vertical adjustment.
Screws are provided on demand (code 1A03050418000).



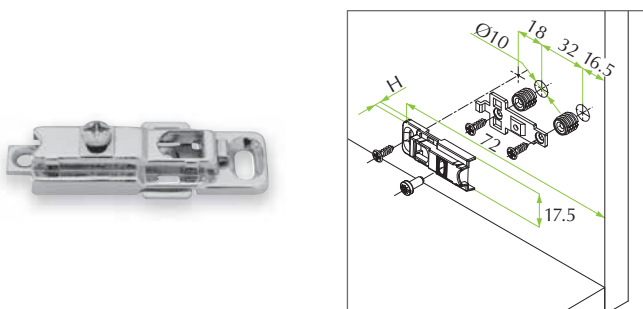
Height	Material	Code
H=2	Zamak	52.0408.05.02.000

Zamak linear mounting plate. Knock-in fixing with dowels Ø8mm. Vertical adjustment.



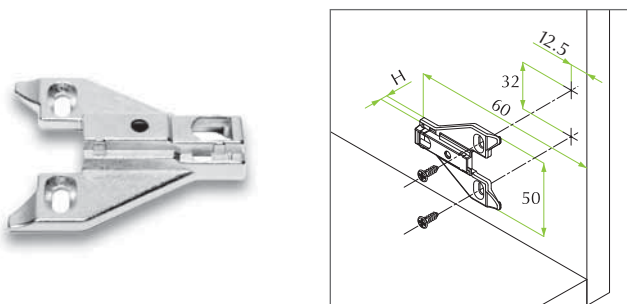
Height	Material	Code
H=2	Zamak	52.0409.05.02.000

Zamak linear mounting plate. Knock-in fixing with dowels Ø10mm. Vertical adjustment.



Height	Material	Code
H=2	Zamak	52.0410.05.02.000

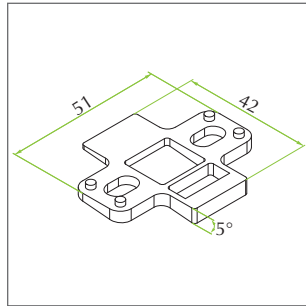
Zamak mounting plate. Selftapping screw fixing. Vertical adjustment.
Screws are provided on demand.



Height	Material	Code
H=2	Zamak	52.0432.05.02.0
H=5	Zamak	52.0432.05.05.0

Series Optima Click

Spacer for mounting plates.



Material	Code
Nylon	52.0SP6.06.05.000

Stackable to get multiples of 5°.

Hinge arm cover.



Material	Code
Plastic	51.0M.00010.0000
Steel	51.0Y.00050.000N
Steel with FGV logo*	51.0YFGV.5.0000000

*Customer logo on demand.

Steel cover for hinge box.



Cup hole dist.	Material	Code
48-45	Steel	510C000500000
52	Steel	510C000500B00

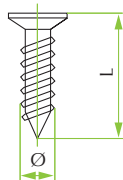
Ø35mm cover.



Material	Code
Nylon	5307C3**00000

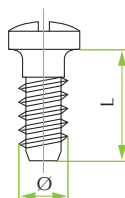
** Colour code: A1 = White RAL 9010 / A2 = Brown RAL 8016 / C6 = Grey RAL 7004 / 0I = Painted matt aluminium

Selftapping screws with Pozi drive head, nickel for hinge and mounting plate fixing.



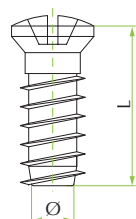
Ø	Length	Material	Code
4	12.5	Steel	1A035034150CF
4	15.5	Steel	1A035034250CF

Euro screws with Pozi drive head, nickel for mounting plate fixing.



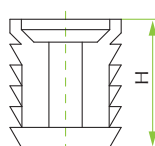
Ø	Length	Material	Code
6.3	10	Steel	1A075029350CF
6.3	12	Steel	1A075108250CF
6.3	14	Steel	1A075108150CF

Euro screws with Pozi drive head, nickel for hinge fixing.



Ø	Length	Material	Code
6.3	12	Steel	1A075130050CF

Dowel in nylon for hinge fixing.



Ø	Height	Material	Code
10	12	Nylon	2H011070530CF
8	11	Nylon	2H000449003CF



MS Slide-On

The right function

Cost-effective Slide-On mechanism

Wide range 3D door adjustment

Large program of cup-fixing methods

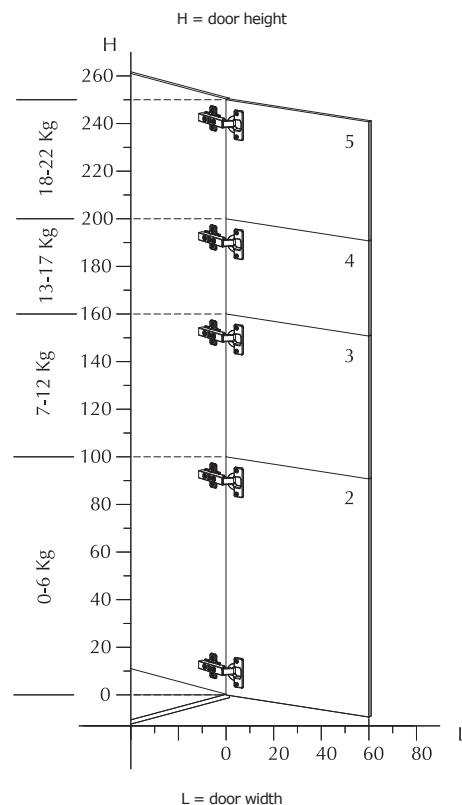
Genios Compatible

Option OneTouch

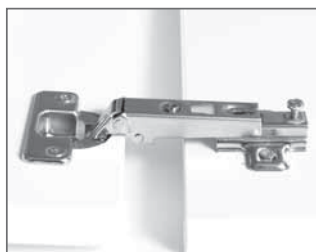
Complete range of solutions

The **MS Slide-On** hinges represent the perfect synthesis between functional needs and right value of the product. The complete range allows to cover all the applications with a specific solution, adjustable to the needs of the user through easy and strong adjustments. The rapid (Velofix and X-Pando) or no-tool (Zip) door fixings allow assembly in a short time and in a safe way. The MS Slide-On hinges are available in push-open version for use with the OneTouch device for handleless cabinet design. They are available in Genios configuration, and compatible with SlowMotion Alfa and SlowMotion Delta add-on damper solutions as well.

MS Slide-On



Mounting System



1 Place the rear part of the hinge on the front side of the mounting plate.

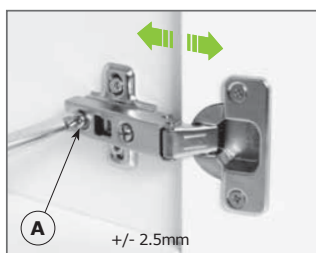


2 Let the hinge slide on the mounting plate until it stops.

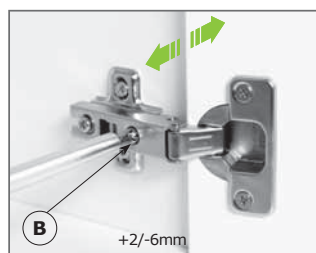


3 Tighten the connecting screw.

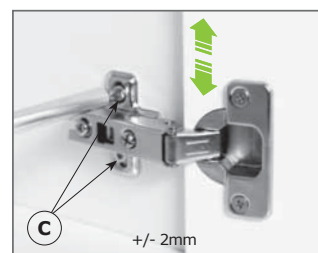
Adjusting System



Front adjustment
Acting on the "A" screw it is possible to adjust the distance between the side of the cabinet and the door.














Independent side adjustment
Acting on the "B" screw it is possible to change the amount of the door covering on the side of the cabinet.

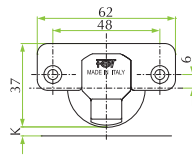


Vertical adjustment
Acting on the "C" screw of the mounting plate it is possible to adjust the door vertically.

INDEX

OPENING 110°		Summary table	p. 64
		Product detail	p. 68
OPENING 125°		Summary table	p. 64
		Product detail	p. 72
OPENING 125°		Summary table	p. 64
		Product detail	p. 74
FOR THICK DOORS 95° Ø35		Summary table	p. 64
		Product detail	p. 76
FOR CORNER DOORS 110°		Summary table	p. 64
		Product detail	p. 80
FOR CORNER CABINET		Summary table	p. 64
		Product detail	p. 84
SPECIAL SOLUTIONS			
FOR THICK DOORS 90° Ø40		Summary table	p. 67
		Product detail	p. 86
FOR WOOD AND/OR GLASS DOORS 90° Ø26		Summary table	p. 67
		Product detail	p. 90
FOR DOORS WITH ALUMINIUM FRAME 105°		Summary table	p. 67
		Product detail	p. 94
FLAP DOORS		Summary table	p. 67
		Product detail	p. 98
ZIP FIXING SYSTEM		Summary table	p. 67

Cup hole distance 48x6mm



OPENING 110°



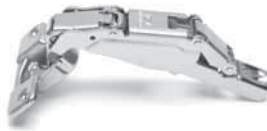
Crank 0		p. 68	p. 68	p. 68	p. 68	p. 68
Crank 4		p. 68	p. 68	p. 68	p. 68	p. 68
Crank 8		p. 70	p. 70	p. 70	p. 70	p. 70
Crank 15		p. 70	p. 70	p. 70	p. 70	p. 70

OPENING 125°



Crank 0		p. 72	p. 72	p. 72	p. 72	
Crank 8		p. 72	p. 72	p. 72	p. 72	

OPENING 175°



Crank 0		p. 74	p. 74	p. 74	p. 74	
Crank 8		p. 74	p. 74	p. 74	p. 74	

FOR THICK DOORS STANDARD OPENING 95° Ø35



Crank 0		p. 76	p. 76	p. 76	p. 76	
Crank 4		p. 76	p. 76	p. 76	p. 76	
Crank 8		p. 78	p. 78	p. 78	p. 78	
Crank 15		p. 78	p. 78	p. 78	p. 78	

FOR CORNER DOORS 110°



Angle -25°		p. 80	p. 80	p. 80	p. 80	
Angle +25°		p. 80	p. 80	p. 80	p. 80	
Angle 24°±30°		p. 82	p. 82	p. 82	p. 82	p. 82
Angle 45°		p. 82	p. 82	p. 82	p. 82	p. 82
Angle 90°		p. 82	p. 82	p. 82	p. 82	p. 82

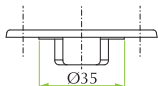
FOR CORNER CABINET



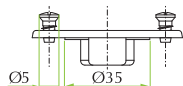
p. 84	p. 84	p. 84	p. 84
-------	-------	-------	-------



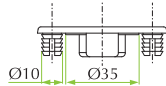
SELFTAPPING
SCREW



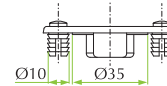
EURO
SCREW



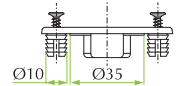
DOWEL



VELOFIX
DOWEL

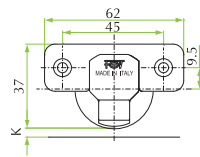


X-PANDO
DOWEL



Cup hole distance
45x9.5mm

A



OPENING 110°



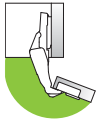
Crank 0		p. 68	p. 68	p. 68	p. 68	p. 68
Crank 4		p. 68	p. 68	p. 68	p. 68	p. 68
Crank 8		p. 70	p. 70	p. 70	p. 70	p. 70
Crank 15		p. 70	p. 70	p. 70	p. 70	p. 70

OPENING 125°



Crank 0		p. 72	p. 72	p. 72	p. 72	
Crank 8		p. 72	p. 72	p. 72	p. 72	

OPENING 175°



Crank 0		p. 74	p. 74	p. 74	p. 74	
Crank 8		p. 74	p. 74	p. 74	p. 74	

FOR THICK DOORS
STANDARD OPENING 95° Ø35



Crank 0		p. 76	p. 76	p. 76	p. 76	
Crank 4		p. 76	p. 76	p. 76	p. 76	
Crank 8		p. 78	p. 78	p. 78	p. 78	
Crank 15		p. 78	p. 78	p. 78	p. 78	

FOR CORNER DOORS 110°



Angle -25°		p. 80	p. 80	p. 80	p. 80	
Angle +25°		p. 80	p. 80	p. 80	p. 80	
Angle 24°±30°		p. 82	p. 82	p. 82	p. 82	p. 82
Angle 45°		p. 82	p. 82	p. 82	p. 82	p. 82
Angle 90°		p. 82	p. 82	p. 82	p. 82	p. 82

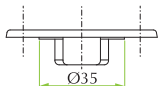
FOR CORNER
CABINET



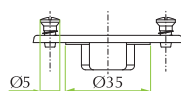
p. 84	p. 84	p. 84	p. 84
-------	-------	-------	-------



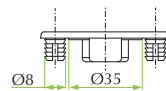
SELFTAPPING
SCREW



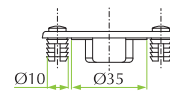
EURO
SCREW



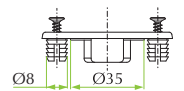
DOWEL



VELOFIX
DOWEL

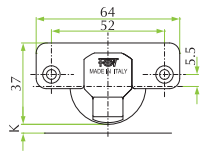


X-PANDO
DOWEL



Cup hole distance 52x5.5mm

D



OPENING 110°



Crank 0		p. 68	p. 68	p. 68	p. 68	p. 68
Crank 4		p. 68	p. 68	p. 68	p. 68	p. 68
Crank 8		p. 70	p. 70	p. 70	p. 70	p. 70
Crank 15		p. 70	p. 70	p. 70	p. 70	p. 70

OPENING 125°



Crank 0		p. 72	p. 72	p. 72	p. 72	
Crank 8		p. 72	p. 72	p. 72	p. 72	

OPENING 175°



Crank 0		p. 74	p. 74	p. 74	p. 74	
Crank 8		p. 74	p. 74	p. 74	p. 74	

FOR THICK DOORS STANDARD OPENING 95° Ø35



Crank 0		p. 76	p. 76	p. 76	p. 76	
Crank 4		p. 76	p. 76	p. 76	p. 76	
Crank 8		p. 78	p. 78	p. 78	p. 78	
Crank 15		p. 78	p. 78	p. 78	p. 78	

FOR CORNER DOORS 110°



Angle -25°		p. 80	p. 80	p. 80	p. 80	
Angle +25°		p. 80	p. 80	p. 80	p. 80	
Angle 24°±30°		p. 82	p. 82	p. 82	p. 82	p. 82
Angle 45°		p. 82	p. 82	p. 82	p. 82	p. 82
Angle 90°		p. 82	p. 82	p. 82	p. 82	p. 82

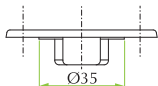
FOR CORNER CABINET



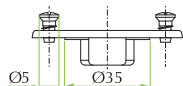
p. 84	p. 84	p. 84	p. 84	
-------	-------	-------	-------	--



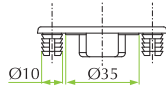
SELFTAPPING
SCREW



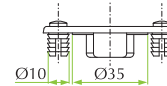
EURO
SCREW



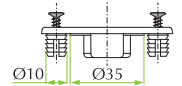
DOWEL



VELOFIX
DOWEL

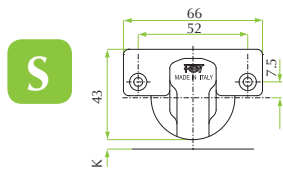


X-PANDO
DOWEL

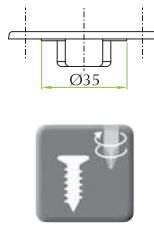


SPECIAL SOLUTIONS

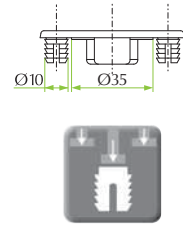
CUP HOLE DISTANCE 52x7.5mm



SELFTAPPING SCREW



DOWEL



FOR THICK DOORS OPENING 90° Ø40



Crank 0	
Crank 8	
Crank 15	
Crank 22	

p. 86

p. 86

p. 86

p. 86

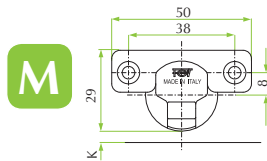
p. 88

p. 88

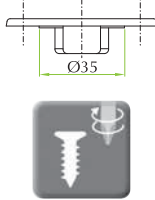
p. 88

p. 88

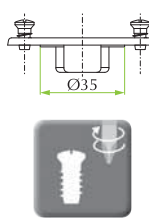
CUP HOLE DISTANCE 38x8mm



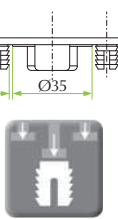
SELFTAPPING SCREW



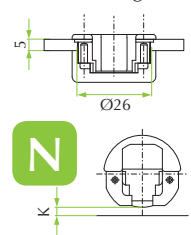
EURO SCREW



DOWEL



NYLON (glass)



FOR WOOD AND/OR GLASS DOORS 90° Ø26



Crank 0	
Crank 8	
Crank 15	

p. 90

p. 90

p. 90

p. 92

p. 90

p. 90

p. 90

p. 92

p. 90

p. 90

p. 90

p. 92

GROOVED PROFILE

LOCK FIXING

FOR DOORS WITH ALUMINIUM FRAME OPENING 105°



Crank 0	
Crank 8	
Crank 15	

p. 94

p. 96

p. 94

p. 96

p. 94

p. 96

FOR FLAP DOORS



LEFT

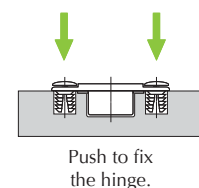
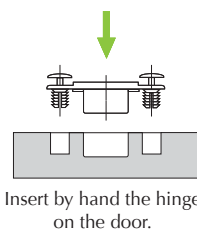
RIGHT

p. 98

p. 98

ZIP FIXING SYSTEM

The Zip dowels allow a no-tool mounting of the hinge.



The hinges with Zip fixing system are available on demand. Please contact the FGV Customer Service.

MS Slide-On 110°



Technical specifications:

- Depth of the metal cup 11.3mm
- Cup diameter 35mm
- Opening 110° with (K) max 4mm e (T) max 18mm
- Possibility of door drilling (K) from 3 to 7 mm
- Thickness of the door (T) from 16 to 26 mm
- Genios, SlowMotion Alfa and OneTouch solutions

CRANK 0

CRANK 4

CRANKS 8, 15 TO PAGE 70 >>>



I
A
D

51.MS15.05.00.0 ●

51.MS15.05.00.C ●

51.MS15.05.00.B ●

Available with premounted selftapping screws

51.MS15.05.04.0 ●

51.MS15.05.04.C ●

51.MS15.05.04.B ●



I
A
D

51.MS16.05.00.M ●

51.MS16.05.00.N ●

51.MS16.05.00.E ●

51.MS16.05.04.M ●

51.MS16.05.04.N ●

51.MS16.05.04.E ●



I
A
D

51.MS16.05.00.* ●

51.MS16.05.00.S ●

51.MS16.05.00.B ●

* 0 = dowels Ø10mm / D = dowels Ø8mm

51.MS16.05.04.* ●

51.MS16.05.04.S ●

51.MS16.05.04.B ●



I
A
D

51.MS18.05.00.V ●

51.MS18.05.00.U ●

51.MS18.05.00.Z ●

51.MS18.05.04.V ●

51.MS18.05.04.U ●

51.MS18.05.04.Z ●



I
A
D

51.MS19.05.00.0 ●

51.MS19.05.00.S ●

51.MS19.05.00.B ●

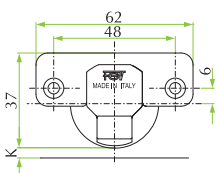
51.MS19.05.04.0 ●

51.MS19.05.04.S ●

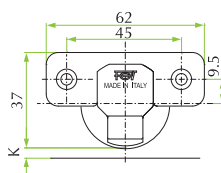
51.MS19.05.04.B ●

● = G / Genios Solution

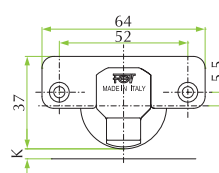
I



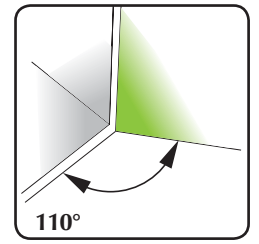
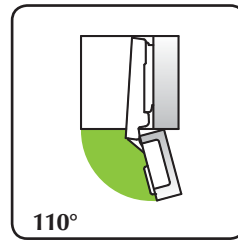
A



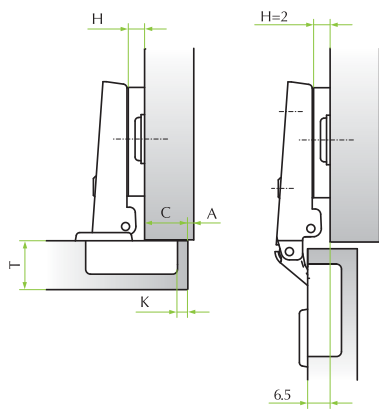
D



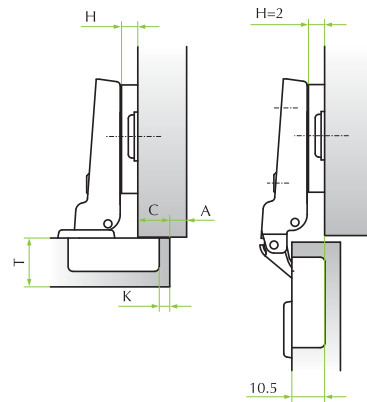
The mounting plates and fittings for this hinge series are shown from page 100 to page 107.



CRANK 0
For lay-on doors



CRANK 4
For partial lay-on doors



		Drilling distance (K)						
		3	4	5	6	7		
Overlay (C)	19			0	2			
	18		0	2				
	17	0	2	4				
	16	2	4					
	15	2	4	6				
	14	4	6					
	13	4	6					
	12	6						
11	6						Mounting plates (H)	

		Drilling distance (K)						
		3	4	5	6	7		
Overlay (C)	15			0	2			
	14		0	2				
	13	0	2	4				
	12	2	4					
	11	2	4	6				
	10	4	6					
	9	4	6					
	8	6						
7	6						Mounting plates (H)	

Table to determine the minimum distance **A** so that a door with **T** thickness can open without protrusion from the cabinet and without interfering with adjacent doors.

T=	16	17	18	19	20	21	22	23	24	25	26
K=3 A=	0.55	0.75	1.10	1.45	1.80	2.40	3.10	3.90	4.70	6.70	6.50
K=4 A=	0.55	0.70	1.05	1.40	1.75	2.25	2.85	3.60	4.35	5.75	6.00
K=5 A=	0.55	0.70	1.00	1.35	1.65	2.10	2.65	3.30	4.00	4.75	5.55
K=6 A=	0.50	0.70	0.95	1.25	1.60	2.00	2.50	3.05	3.70	4.40	5.20
K=7 A=	0.50	0.65	0.85	1.20	1.55	1.90	2.35	2.85	3.45	4.10	4.80

MS Slide-On 110°



<<< CRANK 0, 4 TO PAGE 68

CRANK 8

CRANK 15



I
A
D

51.MS15.05.08.0 ●
51.MS15.05.08.C ●
51.MS15.05.08.B ●

Available with premounted selftapping screws

51.MS15.05.15.0 ●
51.MS15.05.15.C ●
51.MS15.05.15.B ●



I
A
D

51.MS16.05.08.M ●
51.MS16.05.08.N ●
51.MS16.05.08.E ●

51.MS16.05.15.M ●
51.MS16.05.15.N ●
51.MS16.05.15.E ●



I
A
D

51.MS16.05.08.* ●
51.MS16.05.08.S ●
51.MS16.05.08.B ●

* 0 = dowels Ø10mm / D = dowels Ø8mm

51.MS16.05.15.* ●
51.MS16.05.15.S ●
51.MS16.05.15.B ●



I
A
D

51.MS18.05.08.V ●
51.MS18.05.08.U ●
51.MS18.05.08.Z ●

51.MS18.05.15.V ●
51.MS18.05.15.U ●
51.MS18.05.15.Z ●

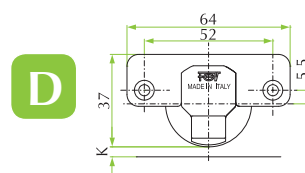
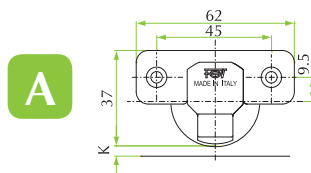
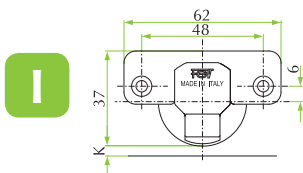


I
A
D

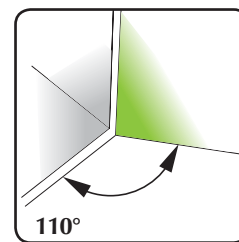
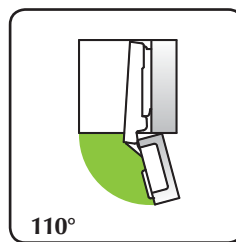
51.MS19.05.08.0 ●
51.MS19.05.08.S ●
51.MS19.05.08.B ●

51.MS19.05.15.0 ●
51.MS19.05.15.S ●
51.MS19.05.15.B ●

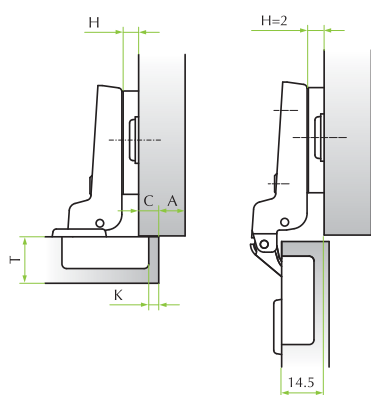
● = G / Genios Solution



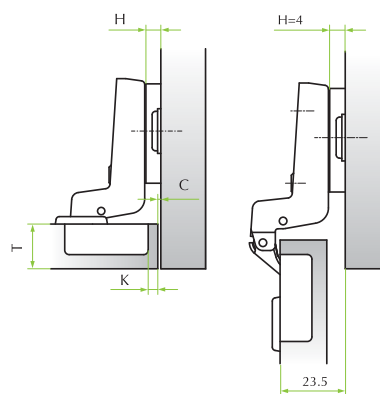
The mounting plates and fittings for this hinge series are shown from page 100 to page 107.



CRANK 8
For partial lay-on doors



CRANK 15
For inset doors



		Drilling distance (K)						
		3	4	5	6	7		
Overlay (C)	11			0	2			
	10		0		2			
	9	0		2	4			
	8		2		4			
	7	2		4	6			
	6		4		6			
	5	4		6				
	4		6					
3	6							
		Mounting plates (H)						

		Drilling distance (K)						
		3	4	5	6	7		
Overlay (C)	0	2		4	6			
	1		4		6			
	2	4		6				
	3		6					
	4	6						
		Mounting plates (H)						

Table to determine the minimum distance A so that a door with T thickness can open without protrusion from the cabinet and without interfering with adjacent doors.

T=	16	17	18	19	20	21	22	23	24	25	26
K=3 A=	0.55	0.75	1.10	1.45	1.80	2.40	3.10	3.90	4.70	6.70	6.50
K=4 A=	0.55	0.70	1.05	1.40	1.75	2.25	2.85	3.60	4.35	5.75	6.00
K=5 A=	0.55	0.70	1.00	1.35	1.65	2.10	2.65	3.30	4.00	4.75	5.55
K=6 A=	0.50	0.70	0.95	1.25	1.60	2.00	2.50	3.05	3.70	4.40	5.20
K=7 A=	0.50	0.65	0.85	1.20	1.55	1.90	2.35	2.85	3.45	4.10	4.80

MS Slide-On 125°



Technical specifications:

- Depth of the metal cup 12.3mm
- Cup diameter 35mm
- Opening 125° with (K) max 4mm e (T) max 18mm
- Possibility of door drilling (K) from 3 to 5 mm
- Thickness of the door (T) from 16 to 26 mm

CRANK 0



CRANK 8



I
A
D

51.MK15.M5.00.0

51.MK15.M5.00.C

51.MK15.M5.00.B

Available with premounted selftapping screws

51.MK15.M5.08.0

51.MK15.M5.08.C

51.MK15.M5.08.B



I
A
D

51.MK16.M5.00.M

51.MK16.M5.00.N

51.MK16.M5.00.E

51.MK16.M5.08.M

51.MK16.M5.08.N

51.MK16.M5.08.E



I
A
D

51.MK16.M5.00.*

51.MK16.M5.00.S

51.MK16.M5.00.B

* 0 = dowels Ø10mm / D = dowels Ø8mm

51.MK16.M5.08.*

51.MK16.M5.08.S

51.MK16.M5.08.B



I
A
D

51.MK18.M5.00.V

51.MK18.M5.00.U

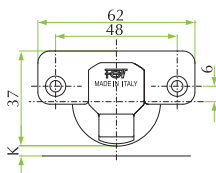
51.MK18.M5.00.Z

51.MK18.M5.08.V

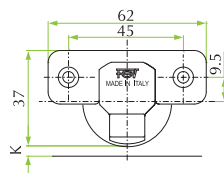
51.MK18.M5.08.U

51.MK18.M5.08.Z

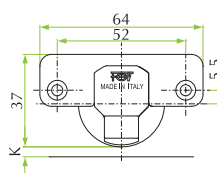
I



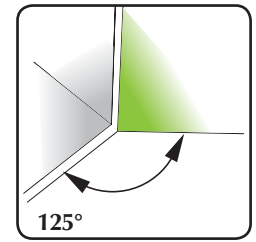
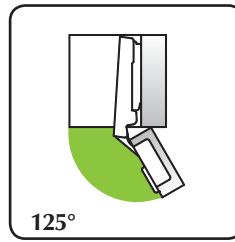
A



D

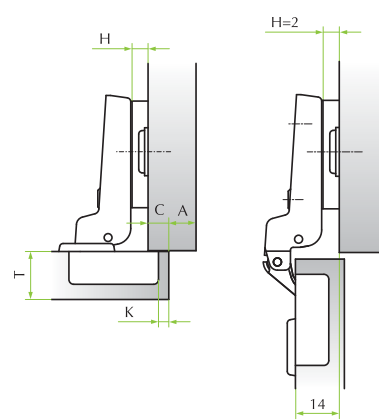
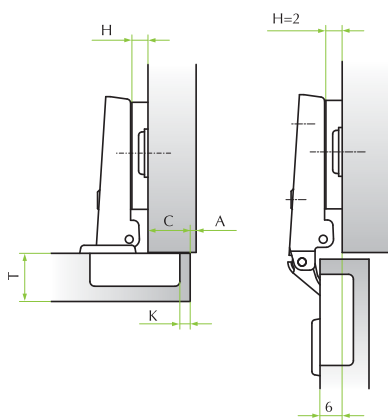


The mounting plates and fittings for this hinge series are shown from page 100 to page 107.



CRANK 0
For lay-on doors

CRANK 8
For partial lay-on doors



		Drilling distance (K)						
		3	4	5	6	7		
Overlay (C)	19			0		2		
	18		0		2			
	17	0		2		4		
	16		2		4			
	15	2		4		6		
	14		4		6			
	13	4		6				
	12		6					
11	6						Mounting plates (H)	

		Drilling distance (K)						
		3	4	5	6	7		
Overlay (C)	11			0		2		
	10		0		2			
	9	0		2		4		
	8		2		4			
	7	2		4		6		
	6		4		6			
	5	4		6				
	4		6					
3	6						Mounting plates (H)	

Table to determinate the minimum distance **A** so that a door with **T** thickness can open without protrusion from the cabinet and without interfering with adjacent doors.

T=	16	17	18	19	20	21	22	23	24	25	26
K=3 A=	0.90	1.40	1.90	2.40	3.00	3.60	4.25	4.90	5.55	6.20	6.80
K=4 A=	0.85	1.25	1.75	2.25	2.75	3.35	4.00	4.65	5.30	5.95	6.60
K=5 A=	0.80	1.10	1.60	2.10	2.55	3.15	3.75	4.45	5.05	5.70	6.35

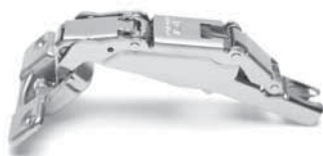
MS Slide-On 175°



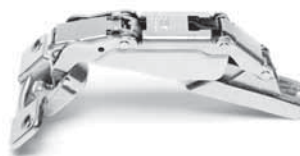
Technical specifications:

- Depth of the metal cup 11.3mm
- Cup diameter 35mm
- Opening 175°
- Possibility of door drilling (K) from 3 to 7 mm
- Thickness of the door (T) from 16 to 26 mm
- SlowMotion Delta solutions

CRANK 0



CRANK 8



I
A
D

51.MW15.S5.00.0

51.MW15.S5.00.C

51.MW15.S5.00.B

Available with premounted selftapping screws

51.MW15.M5.08.0

51.MW15.M5.08.C

51.MW15.M5.08.B



I
A
D

51.MW16.S5.00.M

51.MW16.S5.00.N

51.MW16.S5.00.E

51.MW16.M5.08.M

51.MW16.M5.08.N

51.MW16.M5.08.E



I
A
D

51.MW16.S5.00.*

51.MW16.S5.00.S

51.MW16.S5.00.B

* 0 = dowels Ø10mm / D = dowels Ø8mm

51.MW16.M5.08.*

51.MW16.M5.08.S

51.MW16.M5.08.B



I
A
D

51.MW18.S5.00.V

51.MW18.S5.00.U

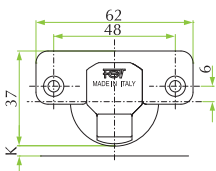
51.MW18.S5.00.Z

51.MW18.M5.08.V

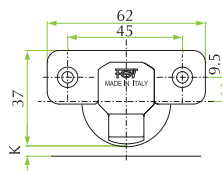
51.MW18.M5.08.U

51.MW18.M5.08.Z

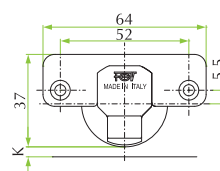
I



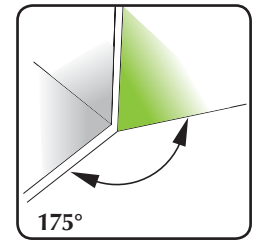
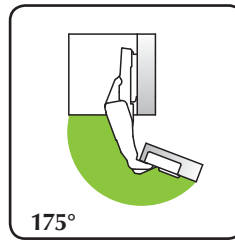
A



D

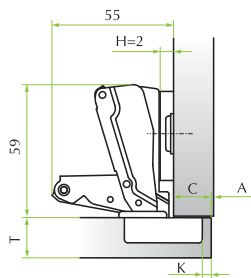


The mounting plates and fittings for this hinge series are shown from page 100 to page 107.



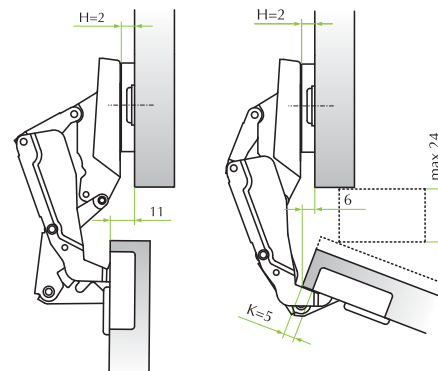
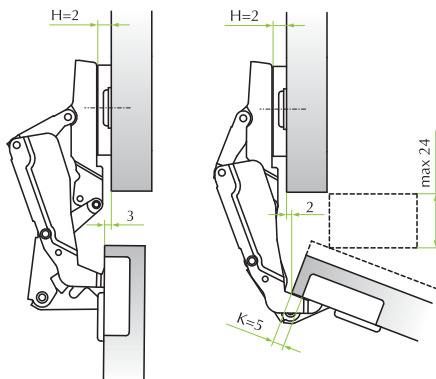
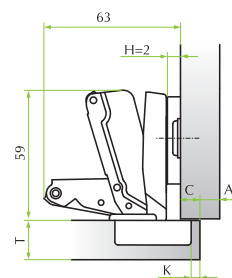
CRANK 0

For lay-on doors



CRANK 8

For partial lay-on doors



		Drilling distance (K)						
		3	4	5	6	7		
Overlay (C)	19			0		2		
	18		0		2			
	17	0		2		4		
	16		2		4			
	15	2		4		6		
	14		4		6			
	13	4		6				
12		6						
11	6							
		Mounting plates (H)						

		Drilling distance (K)						
		3	4	5	6	7		
Overlay (C)	11			0		2		
	10		0		2			
	9	0		2		4		
	8		2		4			
	7	2		4		6		
	6		4		6			
	5	4		6				
4		6						
3	6							
		Mounting plates (H)						

Table to determine the minimum distance A so that a door with T thickness can open without protrusion from the cabinet and without interfering with adjacent doors.

T=	16	17	18	19	20	21	22	23	24	25	26
K=3 A=	0.00	0.00	0.00	0.00	0.00	0.00	0.20	0.55	6.80	8.10	13.55
K=4 A=	0.00	0.00	0.00	0.00	0.00	0.05	0.30	3.50	5.85	7.25	12.55
K=5 A=	0.00	0.00	0.00	0.00	0.00	0.05	0.30	3.55	4.90	6.25	11.55
K=6 A=	0.00	0.00	0.00	0.00	0.00	0.05	0.40	3.00	3.90	5.25	10.55
K=7 A=	0.00	0.00	0.00	0.00	0.00	0.05	1.20	2.20	3.15	4.25	9.55

MS Slide-On 95° Ø35 for thick doors



Technical specifications:

- Depth of the metal cup 11.3mm standard, 12.3mm Genios
- Cup diameter 35mm
- Opening 95°
- Possibility of door drilling (K) from 3 to 7 mm
- Thickness of the door (T) from 16 to 30 mm
- Genios solutions

CRANK 0



CRANK 4



CRANKS 8, 15
TO PAGE 78 >>>



I
A
D

51.MT15.05.00.0

51.MZ15.05.00.0 ●

51.MT15.05.04.0

51.MZ15.05.04.0 ●

51.MT15.05.00.C

51.MZ15.05.00.C ●

51.MT15.05.04.C

51.MZ15.05.04.C ●

51.MT15.05.00.B

51.MZ15.05.00.B ●

51.MT15.05.04.B

51.MZ15.05.04.B ●

Available with premounted selftapping screws



I
A
D

51.MT16.05.00.M

51.MZ16.05.00.M ●

51.MT16.05.04.M

51.MZ16.05.04.M ●

51.MT16.05.00.N

51.MZ16.05.00.N ●

51.MT16.05.04.N

51.MZ16.05.04.N ●

51.MT16.05.00.E

51.MZ16.05.00.E ●

51.MT16.05.04.E

51.MZ16.05.04.E ●



I
A
D

51.MT16.05.00.*

51.MZ16.05.00.0 ●

51.MT16.05.04.*

51.MZ16.05.04.0 ●

51.MT16.05.00.S

51.MZ16.05.00.S ●

51.MT16.05.04.S

51.MZ16.05.04.S ●

51.MT16.05.00.B

51.MZ16.05.00.B ●

51.MT16.05.04.B

51.MZ16.05.04.B ●

* 0 = dowels Ø10mm / D = dowels Ø8mm



I
A
D

51.MT18.05.00.V

51.MZ18.05.00.V ●

51.MT18.05.04.V

51.MZ18.05.04.V ●

51.MT18.05.00.U

51.MZ18.05.00.U ●

51.MT18.05.04.U

51.MZ18.05.04.U ●

51.MT18.05.00.Z

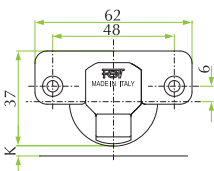
51.MZ18.05.00.Z ●

51.MT18.05.04.Z

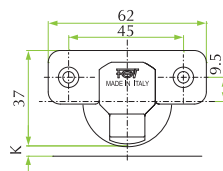
51.MZ18.05.04.Z ●

● = G / Genios Solution

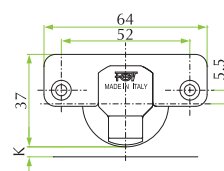
I



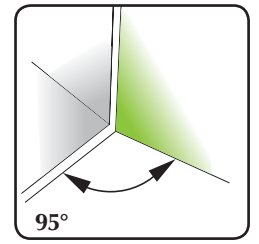
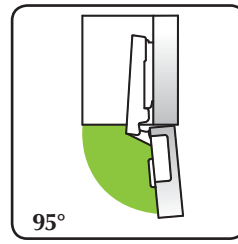
A



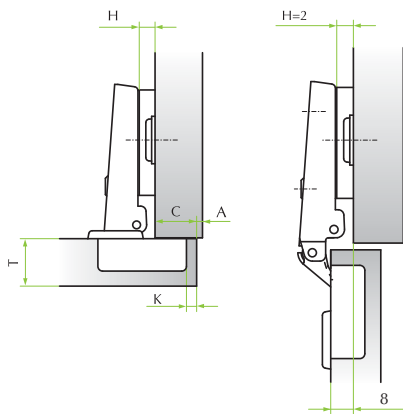
D



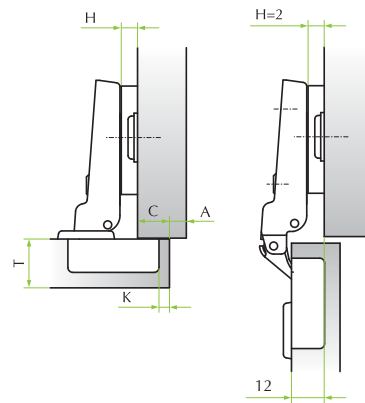
The mounting plates and fittings for this hinge series are shown from page 100 to page 107.



CRANK 0
For lay-on doors



CRANK 4
For partial lay-on doors



		Drilling distance (K)						
		3	4	5	6	7		
Overlay (C)	19			0		2		
	18		0		2			
	17	0		2		4		
	16		2		4			
	15	2		4		6		
	14		4		6			
	13	4		6				
	12		6					
11	6						Mounting plates (H)	

		Drilling distance (K)						
		3	4	5	6	7		
Overlay (C)	15			0		2		
	14		0		2			
	13	0		2		4		
	12		2		4			
	11	2		4		6		
	10		4		6			
	9	4		6				
	8		6					
7	6						Mounting plates (H)	

Table to determine the minimum distance **A** so that a door with **T** thickness can open without protrusion from the cabinet and without interfering with adjacent doors.

T=	16	17	18	19	20	21	22	23	24	25	26	27	28	29	30
K=3 A=	0.00	0.15	0.35	0.5	0.7	0.85	1.15	1.65	2.55	3.40	4.30	5.20	6.15	7.10	8.00
K=4 A=	0.00	0.15	0.30	0.50	0.65	0.85	1.10	1.40	2.10	2.90	3.80	4.65	5.50	6.45	7.40
K=5 A=	0.00	0.15	0.30	0.50	0.65	0.80	1.00	1.35	1.75	2.50	3.30	4.15	5.00	5.90	6.75
K=6 A=	0.00	0.10	0.30	0.45	0.65	0.80	1.00	1.30	1.65	2.15	2.90	3.65	4.50	5.40	6.05
K=7 A=	0.00	0.10	0.30	0.45	0.60	0.80	0.95	1.25	1.60	1.90	2.55	3.30	4.05	4.90	5.75

MS Slide-On 95° Ø35 for thick doors



<<<CRANKS 0, 4 TO PAGE 76

CRANK 8

CRANK 15



I
A
D

51.MT15.05.08.0

51.MZ15.05.08.0 ●

51.MT15.05.15.0

51.MZ15.05.15.0 ●

51.MT15.05.08.C

51.MZ15.05.08.C ●

51.MT15.05.15.C

51.MZ15.05.15.C ●

51.MT15.05.08.B

51.MZ15.05.08.B ●

51.MT15.05.15.B

51.MZ15.05.15.B ●

Available with premounted selftapping screws



I
A
D

51.MT16.05.08.M

51.MZ16.05.08.M ●

51.MT16.05.15.M

51.MZ16.05.15.M ●

51.MT16.05.08.N

51.MZ16.05.08.N ●

51.MT16.05.15.N

51.MZ16.05.15.N ●

51.MT16.05.08.E

51.MZ16.05.08.E ●

51.MT16.05.15.E

51.MZ16.05.15.E ●



I
A
D

51.MT16.05.08.*

51.MZ16.05.08.0 ●

51.MT16.05.15.*

51.MZ16.05.15.0 ●

51.MT16.05.08.S

51.MZ16.05.08.S ●

51.MT16.05.15.S

51.MZ16.05.15.S ●

51.MT16.05.08.B

51.MZ16.05.08.B ●

51.MT16.05.15.B

51.MZ16.05.15.B ●

* 0 = dowels Ø10mm / D = dowels Ø8mm



I
A
D

51.MT18.05.08.V

51.MZ18.05.08.V ●

51.MT18.05.15.V

51.MZ18.05.15.V ●

51.MT18.05.08.U

51.MZ18.05.08.U ●

51.MT18.05.15.U

51.MZ18.05.15.U ●

51.MT18.05.08.Z

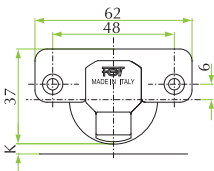
51.MZ18.05.08.Z ●

51.MT18.05.15.Z

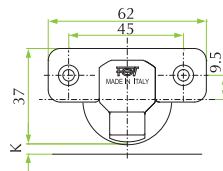
51.MZ18.05.15.Z ●

● = G / Genios Solution

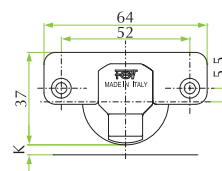
I



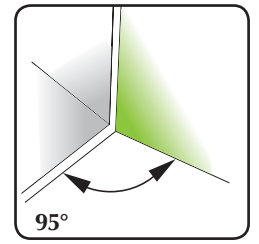
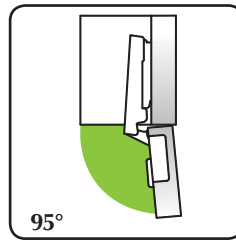
A



D

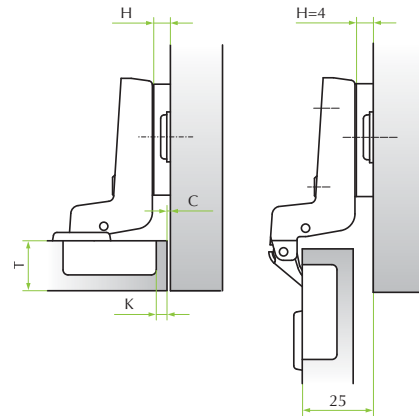
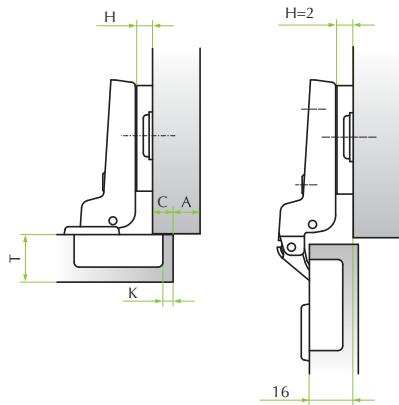


The mounting plates and fittings for this hinge series are shown from page 100 to page 107.



CRANK 8
For partial lay-on doors

CRANK 15
For inset doors



		Drilling distance (K)						
		3	4	5	6	7		
Overlay (C)	11			0		2		
	10		0		2			
	9	0		2		4		
	8		2		4			
	7	2		4		6		
	6		4		6			
	5	4		6				
	4		6					
3	6							
		Mounting plates (H)						

		Drilling distance (K)						
		3	4	5	6	7		
Overlay (C)	0	2		4		6		
	1		4		6			
	2	4		6				
	3		6					
	4	6						
		Mounting plates (H)						

Table to determinate the minimum distance **A** so that a door with **T** thickness can open without protrusion from the cabinet and without interfering with adjacent doors.

T=	16	17	18	19	20	21	22	23	24	25	26	27	28	29	30
K=3 A=	0.00	0.15	0.35	0.5	0.7	0.85	1.15	1.65	2.55	3.40	4.30	5.20	6.15	7.10	8.00
K=4 A=	0.00	0.15	0.30	0.50	0.65	0.85	1.10	1.40	2.10	2.90	3.80	4.65	5.50	6.45	7.40
K=5 A=	0.00	0.15	0.30	0.50	0.65	0.80	1.00	1.35	1.75	2.50	3.30	4.15	5.00	5.90	6.75
K=6 A=	0.00	0.10	0.30	0.45	0.65	0.80	1.00	1.30	1.65	2.15	2.90	3.65	4.50	5.40	6.05
K=7 A=	0.00	0.10	0.30	0.45	0.60	0.80	0.95	1.25	1.60	1.90	2.55	3.30	4.05	4.90	5.75

MS Slide-On 110° for corner doors



Technical specifications:

- Depth of the metal cup 11.3mm
- Cup diameter 35mm
- Opening 110°
- Possibility of door drilling (K) from 3 to 7 mm
- Thickness of the door (T) from 16 to 26 mm
- OneTouch solutions

ANGLE -25°



ANGOLO +25°



ANGLES 24°÷30°, 45°, 90° TO PAGE 82 >>>



I
A
D

51.MK85.M5.25.0
51.MK85.M5.25.C
51.MK85.M5.25.B

Available with premounted selftapping screws

51.MS85.05.25.0
51.MS85.05.25.C
51.MS85.05.25.B



I
A
D

51.MK86.M5.25.M
51.MK86.M5.25.N
51.MK86.M5.25.E

51.MS86.05.25.M
51.MS86.05.25.N
51.MS86.05.25.E



I
A
D

51.MK86.M5.25.*
51.MK86.M5.25.S
51.MK86.M5.25.B

* 0 = dowels Ø10mm / D = dowels Ø8mm

51.MS86.05.25.*
51.MS86.05.25.S
51.MS86.05.25.B

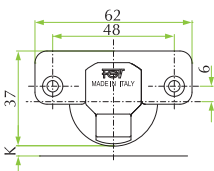


I
A
D

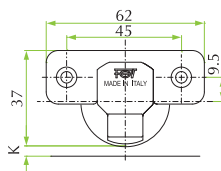
51.MK88.M5.25.V
51.MK88.M5.25.U
51.MK88.M5.25.Z

51.MS88.05.25.V
51.MS88.05.25.U
51.MS88.05.25.Z

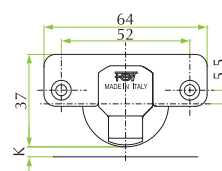
I



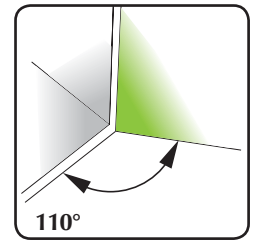
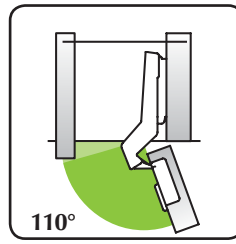
A



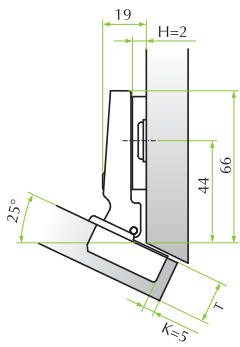
D



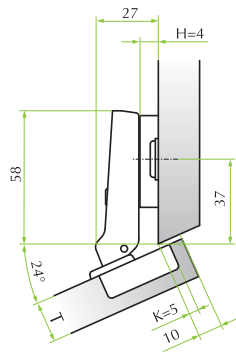
The mounting plates and fittings for this hinge series are shown from page 100 to page 107.



ANGLE -25°



ANGLE -25°



MS Slide-On 110° for corner doors



Technical specifications:

- Depth of the metal cup 11.3mm
- Cup diameter 35mm
- Opening 110°
- Possibility of door drilling (K) from 3 to 7 mm
- Thickness of the door (T) from 16 to 26 mm
- Genios, SlowMotion Alfa and OneTouch solutions

<<< ANGLES -25°, +25°
TO PAGE 80

ANGLE 24°±30°

ANGLE 45°

ANGLE 90°



I
A
D

51.MS85.05.30.0 ●
51.MS85.05.30.C ●
51.MS85.05.30.B ●

51.MS85.M5.45.0 ●
51.MS85.M5.45.C ●
51.MS85.M5.45.B ●

51.MS85.M5.90.0 ●
51.MS85.M5.90.C ●
51.MS85.M5.90.B ●

Available with premounted selftapping screws



I
A
D

51.MS86.05.30.M ●
51.MS86.05.30.N ●
51.MS86.05.30.E ●

51.MS86.M5.45.M ●
51.MS86.M5.45.N ●
51.MS86.M5.45.E ●

51.MS86.M5.90.M ●
51.MS86.M5.90.N ●
51.MS86.M5.90.E ●



I
A
D

51.MS86.05.30.* ●
51.MS86.05.30.S ●
51.MS86.05.30.B ●

51.MS86.M5.45.* ●
51.MS86.M5.45.S ●
51.MS86.M5.45.B ●

51.MS86.M5.90.* ●
51.MS86.M5.90.S ●
51.MS86.M5.90.B ●

* 0 = dowels Ø10mm / D = dowels Ø8mm



I
A
D

51.MS88.05.30.V ●
51.MS88.05.30.U ●
51.MS88.05.30.Z ●

51.MS88.M5.45.V ●
51.MS88.M5.45.U ●
51.MS88.M5.45.Z ●

51.MS88.M5.90.V ●
51.MS88.M5.90.U ●
51.MS88.M5.90.Z ●



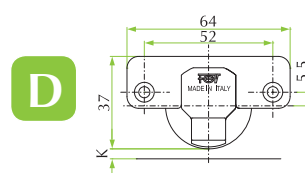
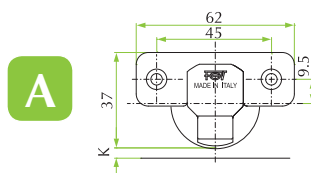
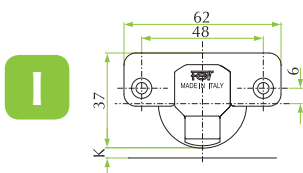
I
A
D

51.MS89.05.30.0 ●
51.MS89.05.30.S ●
51.MS89.05.30.B ●

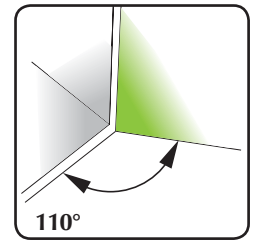
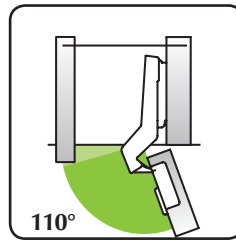
51.MS89.M5.45.0 ●
51.MS89.M5.45.S ●
51.MS89.M5.45.B ●

51.MS89.M5.90.0 ●
51.MS89.M5.90.S ●
51.MS89.M5.90.B ●

● = G / Genios Solution



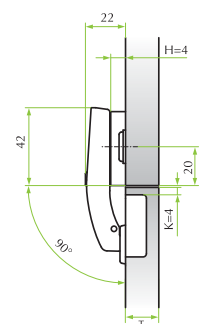
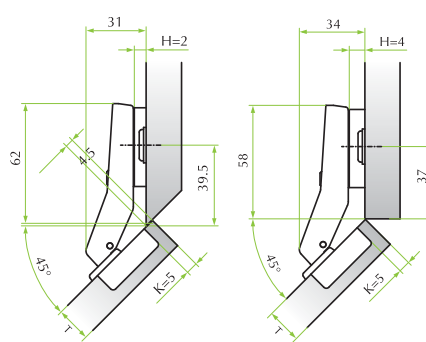
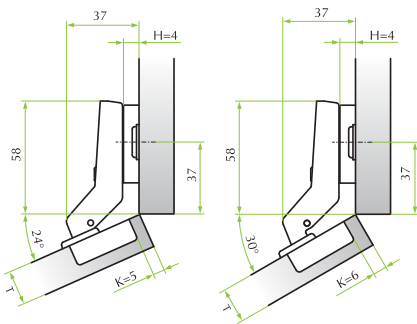
The mounting plates and fittings for this hinge series are shown from page 100 to page 107.



ANGLE 24°÷30°

ANGLE 45°

ANGLE 90°



MS Slide-On for corner cabinet



Technical specifications:

- Depth of the metal cup 11.3mm
- Cup diameter 35mm
- Opening 110° with (K) max 4mm and (T) max 18mm
- Possibility of door drilling (K) from 3 to 7 mm
- Thickness of the door (T) from 16 to 26 mm



I
A
D

51.MS83.M5.35.0

51.MS83.M5.35.C

51.MS83.M5.35.B

Available with premounted selftapping screws



I
A
D

51.MS84.M5.35.M

51.MS84.M5.35.N

51.MS84.M5.35.E



I
A
D

51.MS84.M5.35.*

51.MS84.M5.35.S

51.MS84.M5.35.B

* 0 = dowels Ø10mm / D = dowels Ø8mm



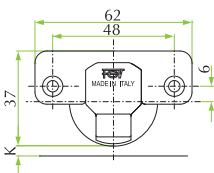
I
A
D

51.MS88.M5.35.V

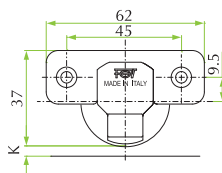
51.MS88.M5.35.U

51.MS88.M5.35.Z

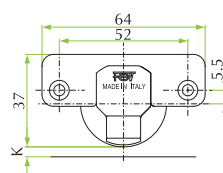
I



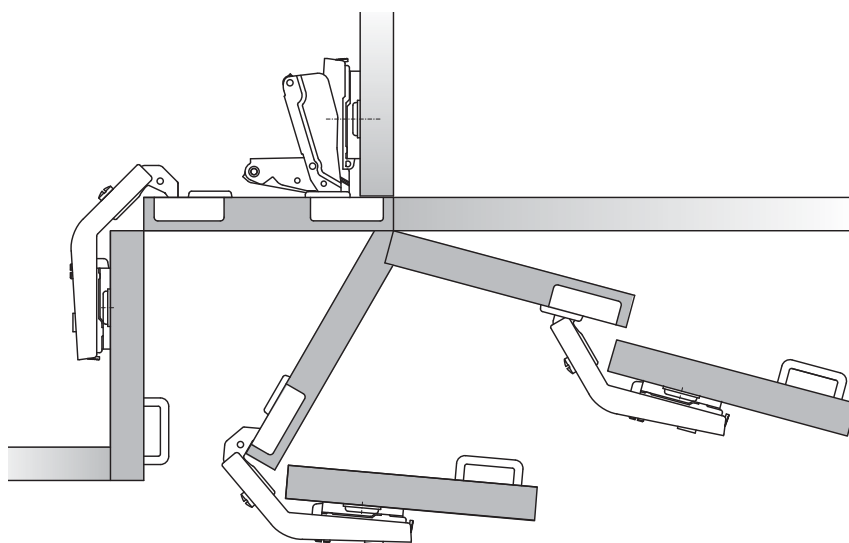
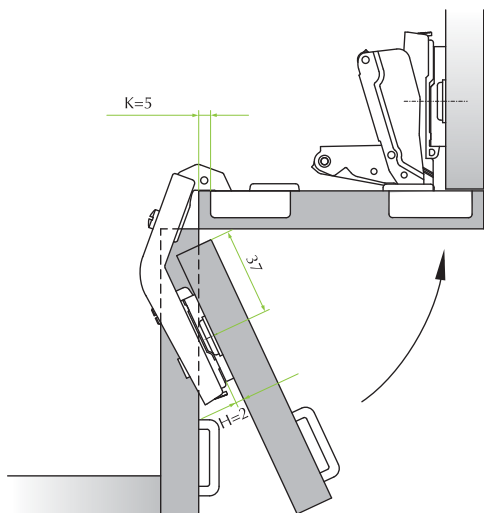
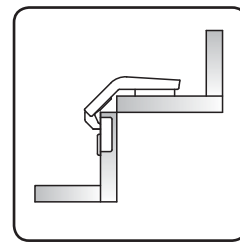
A



D



The mounting plates and fittings for this hinge series are shown from page 100 to page 107.



MS Slide-On 90° Ø40 for thick doors



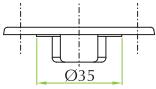
Technical specifications:

- Depth of the metal cup 12.8mm
- Cup diameter 40mm
- Opening 90°
- Possibility of door drilling (K) from 3 to 15 mm
- Thickness of the door (T) from 16 to 40 mm
- OneTouch solutions

CRANK 0

CRANK 8

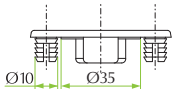
CRANKS 15, 22 TO PAGE 88 >>>



S

51.MN45.05.00.0

51.MN45.05.08.0



S

51.MN46.05.00.0

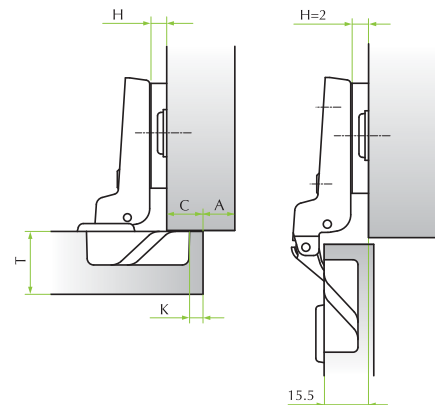
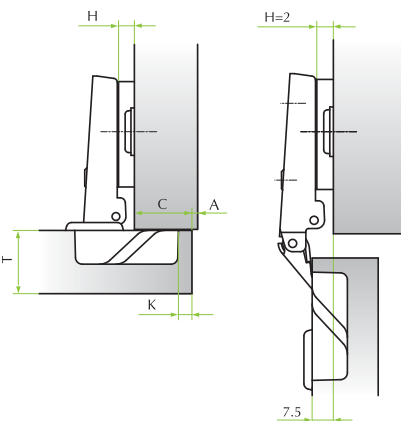
51.MN46.05.08.0

CRANK 0

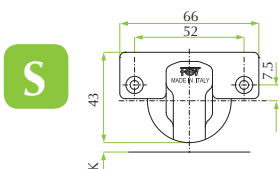
For lay-on doors

CRANK 8

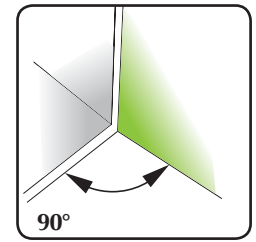
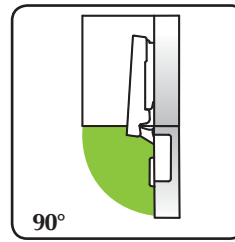
For partial lay-on doors



CUP HOLE DISTANCE 52x7.5mm



The mounting plates and fittings for this hinge series are shown from page 100 to page 107.



CRANK 0
For lay-on doors

		Drilling distance (K)													
		4	5	6	7	8	9	10	11	12	13	14	15		
Overlay (C)	32										0		2		
	31									0		2			
	30								0		2		4		
	29							0		2		4			
	28					0		2		4		6			
	27				0		2		4		6				
	26			0		2		4		6					
	25		0		2		4		6						
	24	0		2		4		6							
	23	0	2		4		6								
	22	2		4		6									
	21	2	4		6										
	20	4		6											
	19	4	6												
	18	6													
17	6														

Mounting plates (H)

CRANK 8
For partial lay-on doors

		Drilling distance (K)													
		4	5	6	7	8	9	10	11	12	13	14	15		
Overlay (C)	24										0		2		
	23									0		2			
	22								0		2		4		
	21							0		2		4			
	20					0		2		4		6			
	19				0		2		4		6				
	18			0		2		4		6					
	17		0		2		4		6						
	16	0		2		4		6							
	15	0	2		4		6								
	14	2		4		6									
	13	2	4		6										
	12	4		6											
	11	4	6												
	10	6													
9	6														

Mounting plates (H)

Table to determinate the minimum distance **A** so that a door with **T** thickness can open without protrusion from the cabinet and without interfering with adjacent doors.

T=	20	21	22	23	24	25	26	27	28	29	30	31	32	33	34	35	36	37	38	39	40
K=3 A=	0.20	0.35	0.55	0.70	0.9	1.05	1.25	1.40	1.60	2.25	3.20	4.15	5.05	6.05	7.00	8.00	9.00	9.95	10.95	11.95	12.95
K=4 A=	0.20	0.35	0.50	0.70	0.85	1.05	1.20	1.40	1.55	1.75	2.55	3.45	4.40	5.35	6.30	7.25	8.15	9.15	10.15	11.10	12.10
K=5 A=	0.15	0.35	0.50	0.70	0.85	1.05	1.20	1.40	1.55	1.70	2.05	2.80	3.75	4.70	5.65	6.55	7.50	8.45	9.40	10.35	11.25
K=6 A=	0.15	0.30	0.50	0.65	0.85	1.00	1.20	1.35	1.55	1.70	2.00	2.30	3.10	4.05	4.95	5.90	6.85	7.80	8.75	9.65	10.60
K=7 A=	0.15	0.30	0.50	0.65	0.85	1.00	1.15	1.35	1.50	1.70	1.90	2.25	2.60	3.50	4.35	5.25	6.20	7.15	8.05	9.00	9.95
K=8 A=	0.10	0.30	0.45	0.65	0.8	1.00	1.15	1.35	1.50	1.70	1.85	2.20	2.55	3.00	3.85	4.70	5.60	6.50	7.40	8.35	9.30
K=9 A=	0.10	0.25	0.45	0.60	0.8	0.95	1.15	1.30	1.50	1.65	1.85	2.15	2.50	2.80	3.35	4.20	5.10	5.95	6.80	7.70	8.65
K=10 A=	0.10	0.25	0.45	0.60	0.8	0.95	1.15	1.30	1.50	1.65	1.85	2.10	2.40	2.75	3.10	3.70	4.60	5.45	6.30	7.20	8.05
K=11 A=	0.05	0.25	0.40	0.60	0.75	0.95	1.10	1.30	1.45	1.60	1.80	2.00	2.35	2.70	3.05	3.40	4.10	4.95	5.80	6.70	7.55
K=12 A=	0.05	0.25	0.40	0.60	0.75	0.90	1.10	1.25	1.45	1.60	1.80	1.95	2.30	2.65	3.00	3.35	3.75	4.50	5.30	6.20	7.05
K=13 A=	0.05	0.20	0.40	0.55	0.75	0.90	1.10	1.25	1.45	1.60	1.80	1.95	2.25	2.60	2.90	3.25	3.60	4.15	4.90	5.70	6.55
K=14* A=	0.05	0.20	0.40	0.55	0.70	0.90	1.05	1.25	1.40	1.60	1.75	1.95	2.10	2.50	2.85	3.20	3.55	3.90	4.55	5.35	6.05
K=15* A=	0.00	0.02	0.35	0.55	0.70	0.90	1.05	1.25	1.40	1.55	1.75	1.90	2.10	2.45	2.80	3.15	3.50	3.85	4.25	4.95	5.75

* L= 0,77 • L= 1,76

MS Slide-On 90° Ø40 for thick doors

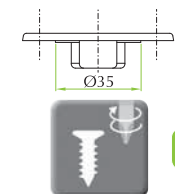


<<< CRANKS 0, 8
TO PAGE 86

CRANK 15



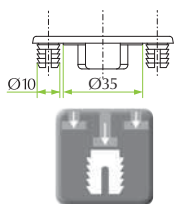
CRANK 22



S

51.MN45.05.15.0

51.MN45.05.22.0

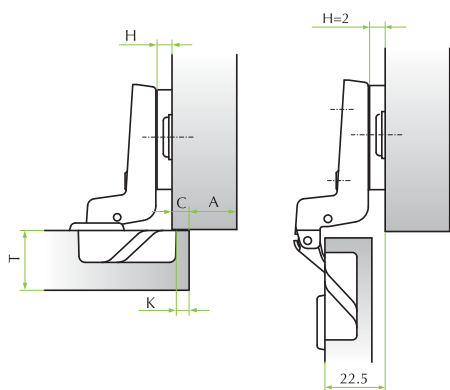


S

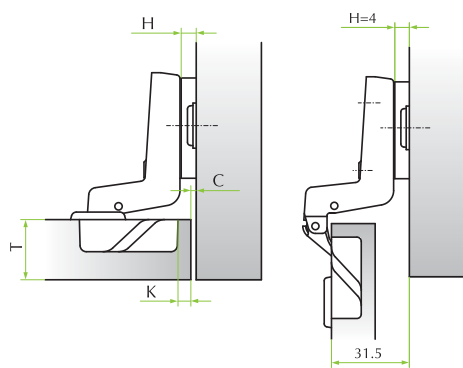
51.MN46.05.15.0

51.MN46.05.22.0

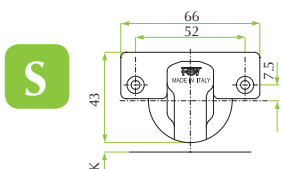
CRANK 15
For lay-on doors



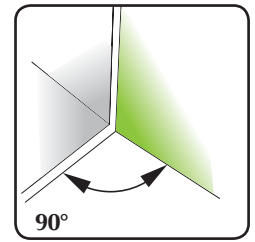
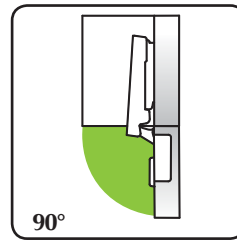
CRANK 22
For partial lay-on doors



CUP HOLE DISTANCE 52x7.5mm



The mounting plates and fittings for this hinge series are shown from page 100 to page 107.



CRANK 15
For lay-on doors

		Drilling distance (K)													
		4	5	6	7	8	9	10	11	12	13	14	15		
Overlay (C)	17										0	2			
	16									0	2				
	15								0	2	4				
	14							0	2	4	6				
	13					0	2	4	6						
	12				0	2	4	6							
	11			0	2	4	6								
	10		0	2	4	6									
	9	0	2	4	6										
	8	0	2	4	6										
	7	2	4	6											
	6	2	4	6											
	5	4	6												
	4	4	6												
	3	6													
2	6														

Mounting plates (H)

CRANK 22
For partial lay-on doors

		Drilling distance (K)									
		4	5	6	7	8	9	10			
Overlay (C)	0		2	4	6						
	1	2	4	6							
	2	4	6								
	3	4	6								
	4	6									
	5	6									
	6										

Mounting plates (H)

Table to determinate the minimum distance **A** so that a door with **T** thickness can open without protrusion from the cabinet and without interfering with adjacent doors.

T=	20	21	22	23	24	25	26	27	28	29	30	31	32	33	34	35	36	37	38	39	40
K=3 A=	0.20	0.35	0.55	0.70	0.9	1.05	1.25	1.40	1.60	2.25	3.20	4.15	5.05	6.05	7.00	8.00	9.00	9.95	10.95	11.95	12.95
K=4 A=	0.20	0.35	0.50	0.70	0.85	1.05	1.20	1.40	1.55	1.75	2.55	3.45	4.40	5.35	6.30	7.25	8.15	9.15	10.15	11.10	12.10
K=5 A=	0.15	0.35	0.50	0.70	0.85	1.05	1.20	1.40	1.55	1.70	2.05	2.80	3.75	4.70	5.65	6.55	7.50	8.45	9.40	10.35	11.25
K=6 A=	0.15	0.30	0.50	0.65	0.85	1.00	1.20	1.35	1.55	1.70	2.00	2.30	3.10	4.05	4.95	5.90	6.85	7.80	8.75	9.65	10.60
K=7 A=	0.15	0.30	0.50	0.65	0.85	1.00	1.15	1.35	1.50	1.70	1.90	2.25	2.60	3.50	4.35	5.25	6.20	7.15	8.05	9.00	9.95
K=8 A=	0.10	0.30	0.45	0.65	0.8	1.00	1.15	1.35	1.50	1.70	1.85	2.20	2.55	3.00	3.85	4.70	5.60	6.50	7.40	8.35	9.30
K=9 A=	0.10	0.25	0.45	0.60	0.8	0.95	1.15	1.30	1.50	1.65	1.85	2.15	2.50	2.80	3.35	4.20	5.10	5.95	6.80	7.70	8.65
K=10 A=	0.10	0.25	0.45	0.60	0.8	0.95	1.15	1.30	1.50	1.65	1.85	2.10	2.40	2.75	3.10	3.70	4.60	5.45	6.30	7.20	8.05
K=11 A=	0.05	0.25	0.40	0.60	0.75	0.95	1.10	1.30	1.45	1.60	1.80	2.00	2.35	2.70	3.05	3.40	4.10	4.95	5.80	6.70	7.55
K=12 A=	0.05	0.25	0.40	0.60	0.75	0.90	1.10	1.25	1.45	1.60	1.80	1.95	2.30	2.65	3.00	3.35	3.75	4.50	5.30	6.20	7.05
K=13 A=	0.05	0.20	0.40	0.55	0.75	0.90	1.10	1.25	1.45	1.60	1.80	1.95	2.25	2.60	2.90	3.25	3.60	4.15	4.90	5.70	6.55
K=14* A=	0.05	0.20	0.40	0.55	0.70	0.90	1.05	1.25	1.40	1.60	1.75	1.95	2.10	2.50	2.85	3.20	3.55	3.90	4.55	5.35	6.05
K=15* A=	0.00	0.02	0.35	0.55	0.70	0.90	1.05	1.25	1.40	1.55	1.75	1.90	2.10	2.45	2.80	3.15	3.50	3.85	4.25	4.95	5.75

* L= 0,77 • L= 1,76

MS Slide-On 90° Ø26 for wood doors



Technical specifications:

- Depth of the metal cup 11.7mm
- Cup diameter 26mm
- Opening 90°
- Possibility of door drilling (K) from 3 to 5 mm
- Thickness of the door (T) from 16 to 26 mm

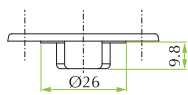
CRANK 0



CRANK 8



CRANK 15

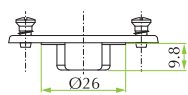


51.MG15.05.00.0

51.MG15.05.08.0

51.MG15.05.15.0

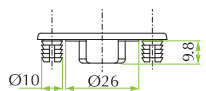
Available with premounted selftapping screws



51.MG16.05.00.M

51.MG16.05.08.M

51.MG16.05.15.M



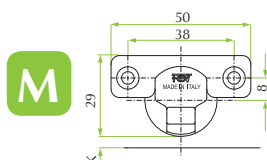
51.MG16.05.00.*

51.MG16.05.08.*

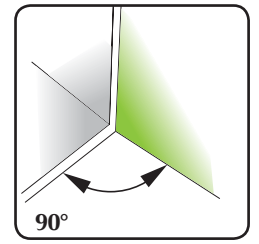
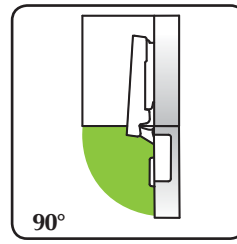
51.MG16.05.15.*

* 0 = dowels Ø10mm / D = dowels Ø8mm

CUP HOLE DISTANCE 38x8mm



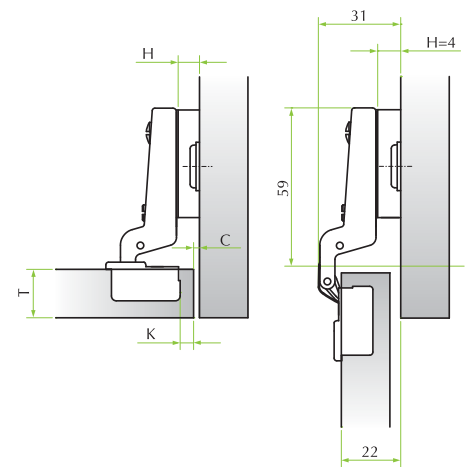
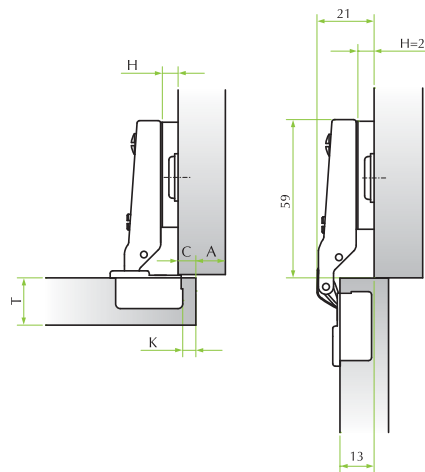
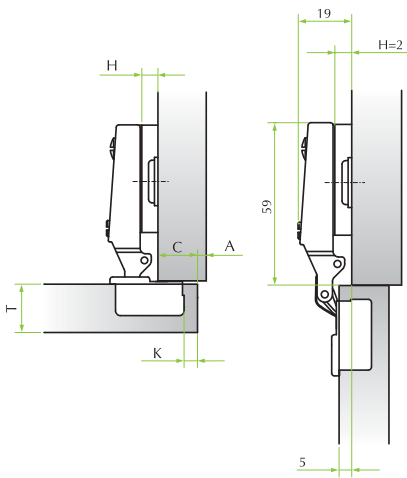
The mounting plates and fittings for this hinge series are shown from page 100 to page 107.



CRANK 0
For lay-on doors

CRANK 8
For partial lay-on doors

CRANK 15
For inset doors



Overlay (C)	Drilling distance (K)				Mounting plates (H)
	3	4	5	6	
19				0	
18			0		
17		0	2		
16	0	2			
15	2	4			
14	4	6			
13	6				
12					
11					
10					

Overlay (C)	Drilling distance (K)				Mounting plates (H)
	3	4	5	6	
11				0	
10			0		
9		0	2		
8	0	2			
7	2	4			
6	4	6			
5	6				
4					
3					
2					

Overlay (C)	Drilling distance (K)				Mounting plates (H)
	3	4	5	6	
0	2	4			
1	4	6			
2	6				
3					
4					
5					

Table to determinate the minimum distance **A** so that a door with **T** thickness can open without protrusion from the cabinet and without interfering with adjacent doors.

T=	16	17	18	19	20	21	22	23	24	25	26
K=3 A=	0.80	1.45	2.15	3.10	3.90	4.85	5.75	6.70	7.65	8.60	9.55
K=4 A=	0.75	1.25	1.75	2.55	3.30	4.20	5.10	6.05	7.00	7.95	8.85
K=5 A=	0.65	1.05	1.40	2.20	2.95	3.75	4.55	5.45	6.35	7.25	8.20

MS Slide-On 90° Ø26 for glass doors



Technical specifications:

- Thickness of the glass doors (T) from 4 to 5 mm
- Cup diameter 26mm
- Opening 90°
- Possibility of door drilling (K) from 3 to 5 mm

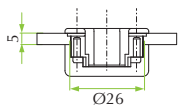
CRANK 0



CRANK 8



CRANK 15



NYLON
(glass)



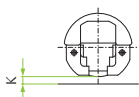
51.MG11.2*.00.0

51.MG11.2*.08.0

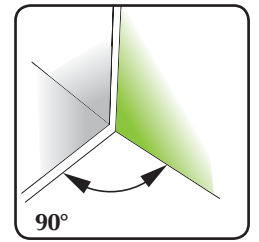
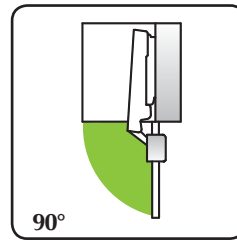
51.MG11.2*.15.0

* 1 = White / 3 = Black

NYLON (glass)



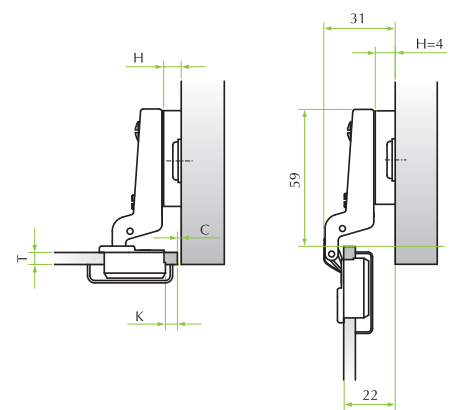
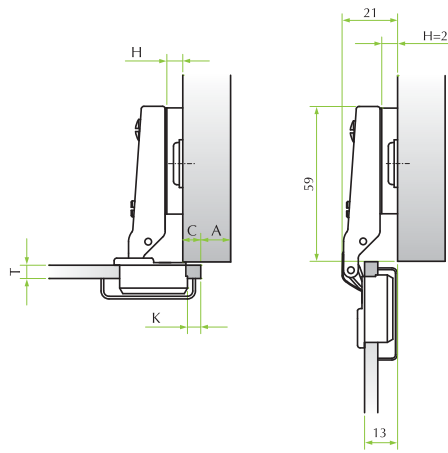
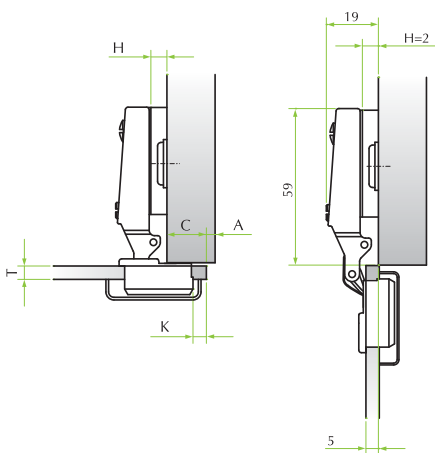
The mounting plates and fittings for this hinge series are shown from page 100 to page 107.



CRANK 0
For lay-on doors

CRANK 8
For partial lay-on doors

CRANK 15
For inset doors



		Drilling distance (K)									
		3	4	5	6						
Overlay (C)	19				0						
	18			0							
	17		0	2							
	16	0	2								
	15	2	4								
	14	4	6								
	13	6									
	12										
	11										
10											
						Mounting plates (H)					

		Drilling distance (K)									
		3	4	5	6						
Overlay (C)	11				0						
	10			0							
	9		0	2							
	8	0	2								
	7	2	4								
	6	4	6								
	5	6									
	4										
	3										
	2										
							Mounting plates (H)				

		Drilling distance (K)									
		3	4	5	6						
Overlay (C)	0		2	4							
	1	2	4								
	2	4	6								
	3	6									
	4										
	5										
						Mounting plates (H)					

Table to determine the minimum distance **A** so that a door with **T** thickness can open without protrusion from the cabinet and without interfering with adjacent doors.

	T=	16	17	18	19	20	21	22	23	24	25	26
K=3	A=	0.80	1.45	2.15	3.10	3.90	4.85	5.75	6.70	7.65	8.60	9.55
K=4	A=	0.75	1.25	1.75	2.55	3.30	4.20	5.10	6.05	7.00	7.95	8.85
K=5	A=	0.65	1.05	1.40	2.20	2.95	3.75	4.55	5.45	6.35	7.25	8.20

MS Slide-On 105° for doors with aluminium frame



Technical specifications:

- Depth of the zamak cup 9.9mm
- Cup drilling 28x7mm
- Opening 105°
- Aluminium frame from min. 19 to max 25 mm
- Genios and OneTouch solutions

FIXING FOR GROOVED PROFILE

CRANK 0



51.MS41.05.00.0 ●

CRANK 8



51.MS41.05.08.0 ●

CRANK 15

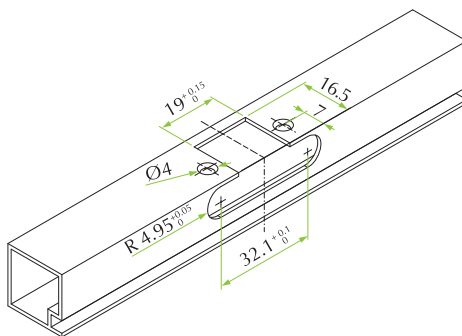


51.MS41.05.15.0 ●

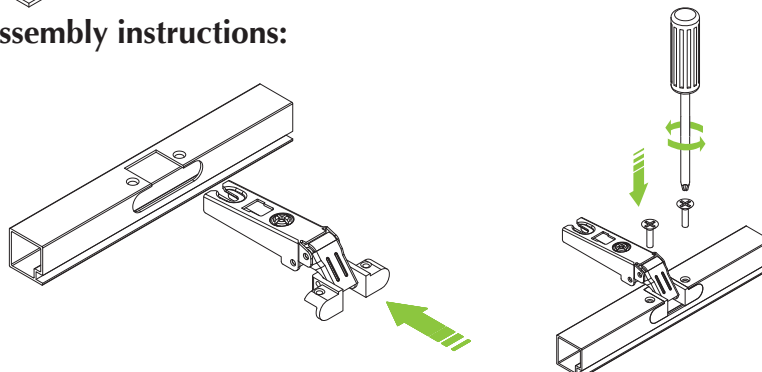
● = G / Genios Solution

Drilling holes:

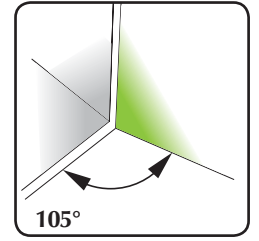
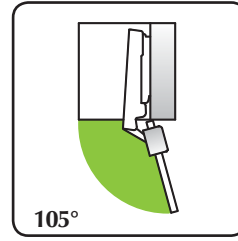
The two laterals drillings are $\varnothing 4$ mm and are countersunk with 120°. Screws 3.5x12mm supplied on demand under code 1A05512105000.



Assembly instructions:



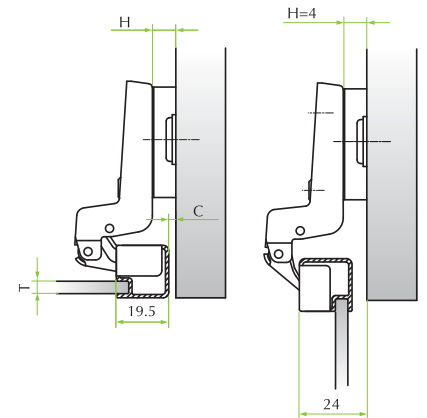
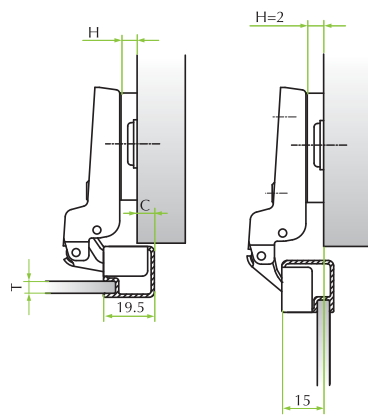
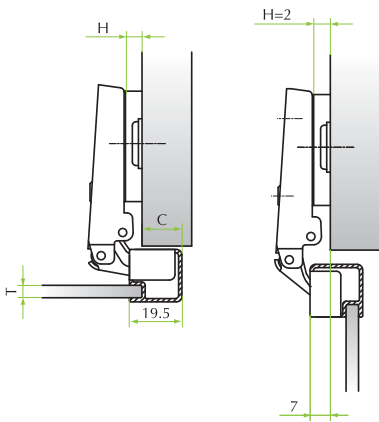
The mounting plates and fittings for this hinge series are shown from page 100 to page 107.



CRANK 0
For lay-on doors

CRANK 8
For partial lay-on doors

CRANK 15
For inset doors



Overlay (C)	17	0								
	16									
	15	2								
	14									
	13	4								
	12									
	11	6								

Mounting plates (H)

Overlay (C)	9	0								
	8									
	7	2								
	6									
	5	4								
	4									
	3	6								

Mounting plates (H)

Overlay (C)	0	2								
	1									
	2	4								
	3									
	4	6								

Mounting plates (H)

Table to determinate the minimum distance **A** so that a door with **T** thickness can open without protrusion from the cabinet and without interfering with adjacent doors.

T=		19	20	21	22	23	24	25	26
P=19	A=	0.40	0.65	1.00	1.40	2.30	3.20	4.00	5.00
P=20	A=	0.40	0.60	0.80	1.20	1.70	2.60	3.40	4.30
P=21	A=	0.40	0.50	0.75	1.10	1.30	2.10	2.90	3.70
P=22	A=	0.40	0.50	0.75	1.00	1.30	1.80	2.50	3.30
P=23	A=	0.40	0.50	0.75	0.90	1.30	1.60	2.20	2.90
P=24	A=	0.30	0.50	0.70	0.90	1.20	1.55	2.00	2.60
P=25	A=	0.30	0.50	0.70	0.90	1.10	1.40	1.90	2.40

MS Slide-On 105° for doors with aluminium frame



Technical specifications:

- Depth of the zamak cup 9.9mm
- Opening 105°
- Aluminium frame from min. 19 to max 25 mm

LOCK FIXING

CRANK 0



51.MS31.05.00.0

CRANK 8



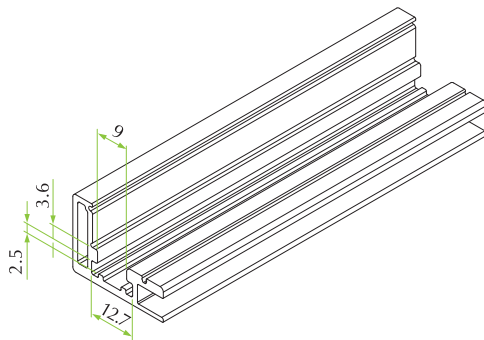
51.MS31.05.08.0

CRANK 15

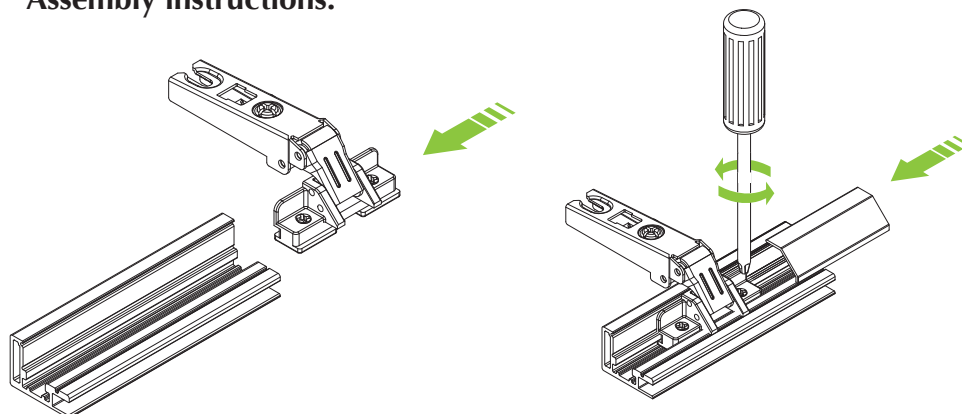


51.MS31.05.15.0

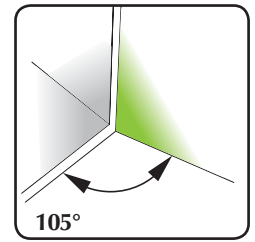
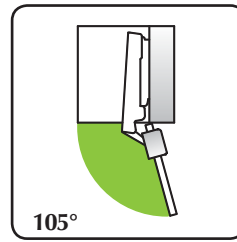
Aluminium frame:



Assembly instructions:



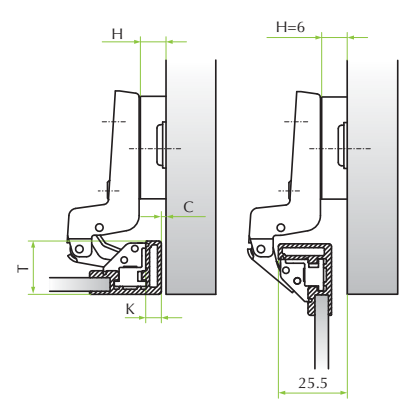
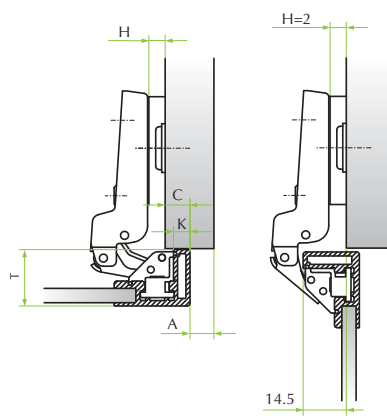
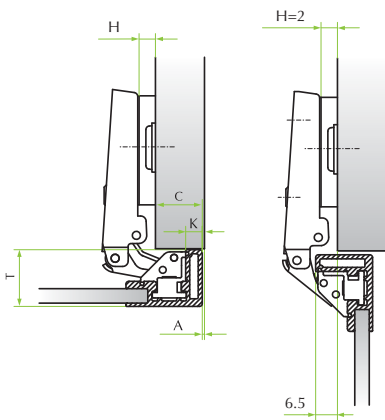
The mounting plates and fittings for this hinge series are shown from page 100 to page 107.



CRANK 0
For lay-on doors

CRANK 8
For partial lay-on doors

CRANK 15
For inset doors



		Drilling distance (K)						
		3	4	5	6	7		
Overlay (C)	19					2		
	18				2			
	17			2	4			
	16		2	4				
	15	2	4	6				
	14	4	6					
	13	4	6					
	12	6						
11	6							
		Mounting plates (H)						

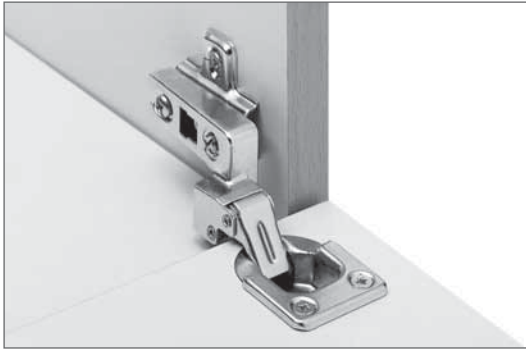
		Drilling distance (K)						
		3	4	5	6	7		
Overlay (C)	11					2		
	10				2			
	9			2	4			
	8		2	4				
	7	2	4	6				
	6	4	6					
	5	4	6					
	4	6						
3	6							
		Mounting plates (H)						

		Drilling distance (K)						
		3	4	5	6	7		
Overlay (C)	0	2	4	6				
	1	4	6					
	2	4	6					
	3	6						
	4	6						
		Mounting plates (H)						

Table to determine the minimum distance A so that a door with T thickness can open without protrusion from the cabinet and without interfering with adjacent doors.

T=	16	17	18	19	20	22	23	24	25	26	27
K=3 A=	0.55	0.75	1.10	1.45	1.80	2.40	3.10	3.90	4.70	6.70	6.50
K=4 A=	0.55	0.70	1.05	1.40	1.75	2.25	2.85	3.60	4.35	5.75	6.00
K=5 A=	0.53	0.70	1.00	1.35	1.65	2.10	2.65	3.30	4.00	4.75	5.55
K=6 A=	0.50	0.70	0.95	1.25	1.60	2.00	2.50	3.05	3.70	4.40	5.20
K=7 A=	0.50	0.65	0.85	1.20	1.55	1.90	2.35	2.85	3.45	4.10	4.80

MS Slide-On 95° for flap doors



Technical specifications:

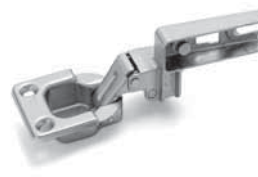
- Depth of the metal cup 11.3mm
- Cup diameter 35mm
- Possibility of door drilling (K) from 3 to 7 mm
- Thickness of the door (T) from 16 to 26 mm

LEFT



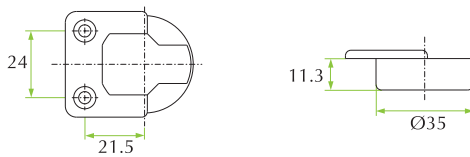
51.MN57.L9.00000

RIGHT

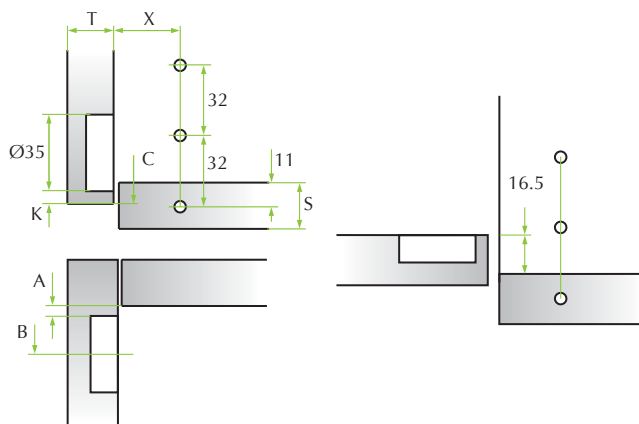


51.MN57.R9.00000

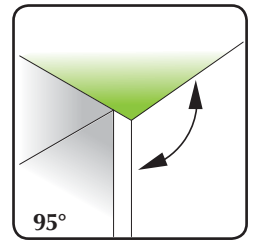
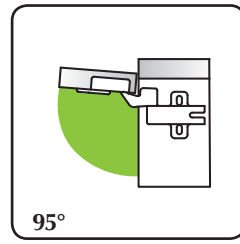
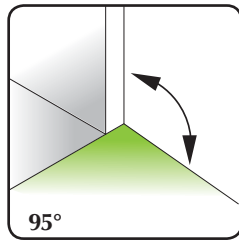
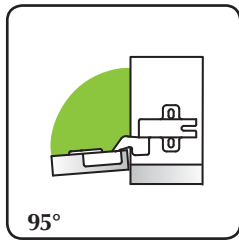
Drilling holes:



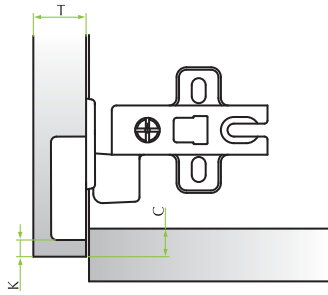
Assembly instructions:



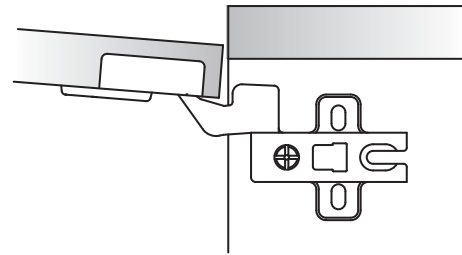
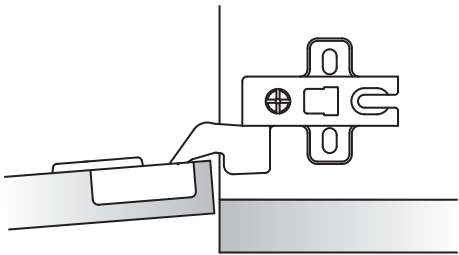
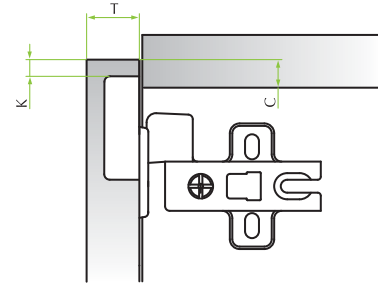
The mounting plates and fittings for this hinge series are shown from page 100 to page 107.



DOWN SOLUTION



UP SOLUTION

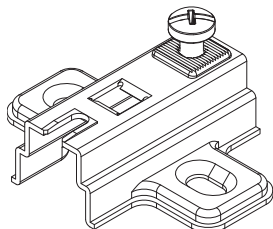


K	C	H	A	B
3	4.5	2	2.5	20
4	5.5	4	4.5	22
5	6.5	6	6.5	24
6	7.5			
7	8.5			

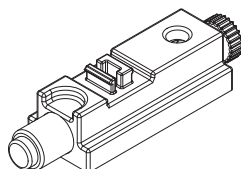
Series MS Slide-On

HOW TO CHOOSE YOUR MOUNTING PLATE

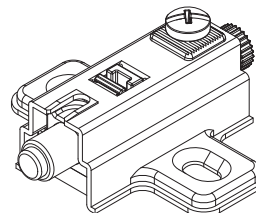
GENIOS **R**  SLIDE-ON RETROFIT MOUNTING PLATE



SLIDE-ON GENIOS DAMPER 



GENIOS **G** SLIDE-ON  INTEGRATED MOUNTING PLATE

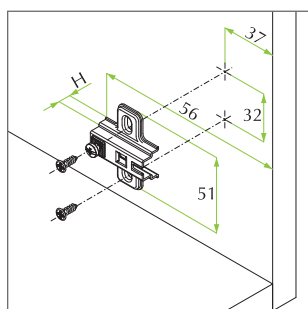





Genios Slide-On damper for Genios Slide-On Retrofit mounting plate.


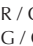


Height	Code
H=2	59.050G.10.02.00000
H=4	59.050G.10.04.00000
H=6	59.050G.10.06.00000

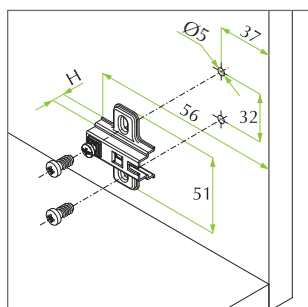
Metal cruciform mounting plate. Selftapping screw fixing. Vertical adjustment. Screws are provided on demand.






Height	Material	Code
H=0	Steel	52.C201.M5.00.1
H=2	Steel	52.0201.M5.02.1 
H=4	Steel	52.0201.M5.04.1 
H=6	Steel	52.0201.M5.06.1 
H=10	Zamak	52.0201.05.10.1

 = R / Genios Retrofit Solution
 = G / Genios Integrated Solution

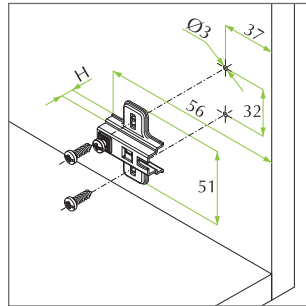
Metal cruciform mounting plate. Euro screws premounted. Vertical adjustment.



Height	Material	Code
H=0	Steel	52.C216.M5.00.*
H=2	Steel	52.0216.M5.02.* 
H=4	Steel	52.0216.M5.04.* 
H=6	Steel	52.0216.M5.06.* 
H=10	Zamak	52.0216.05.10.*
H=24	Zamak	52.0216.05.24.*

* C =  D =  H =   = R / Genios Retrofit Solution
 = G / Genios Integrated Solution

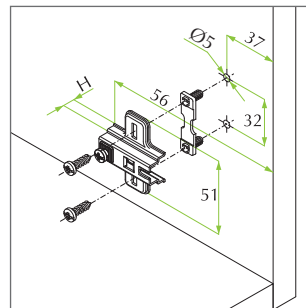
Metal cruciform mounting plate. Premounted selftapping screws Ø4.7mm. Vertical adjustment.



Height	Material	Code
H=0	Steel	52.C2G5.M5.00.1
H=2	Steel	52.02G5.M5.02.1 ●
H=4	Steel	52.02G5.M5.04.1 ●
H=6	Steel	52.02G5.M5.06.1 ●

● = R / Genios Retrofit Solution
G / Genios Integrated Solution

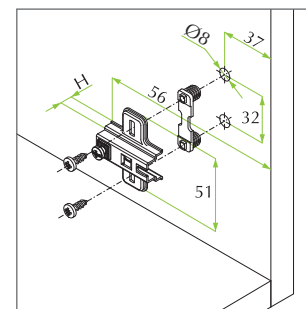
Metal cruciform mounting plate. Fixing by expanding X-Pando dowels Ø5mm. Vertical adjustment.



Height	Material	Code
H=0	Steel	52.C2N5.M5.00.*
H=2	Steel	52.02N5.M5.02.* ●
H=4	Steel	52.02N5.M5.04.* ●
H=6	Steel	52.02N5.M5.06.* ●
H=10	Zamak	52.02N5.05.10.*

* 1 = 9.2 3 = 7.5 ● = R / Genios Retrofit Solution
G / Genios Integrated Solution
Available only for dowel 9.2

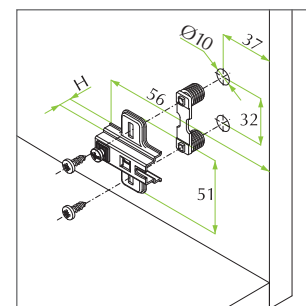
Metal cruciform mounting plate. Knock-in fixing with dowels Ø8mm. Vertical adjustment.



Height	Material	Code
H=0	Steel	52.C2*5.M5.00.1
H=2	Steel	52.02*5.M5.02.1 ●
H=4	Steel	52.02*5.M5.04.1 ●
H=6	Steel	52.02*5.M5.06.1 ●
H=10	Zamak	52.02*5.05.10.1

* C = 10.8 E = 7.5 ● = R / Genios Retrofit Solution
G / Genios Integrated Solution
Available only for dowel 10.8

Metal cruciform mounting plate. Knock-in fixing with dowels Ø10mm. Vertical adjustment.



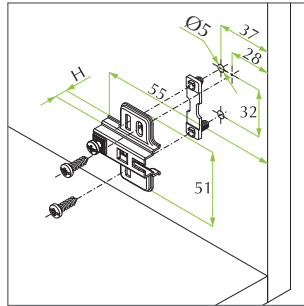
Height	Material	Code
H=0	Steel	52.C2*5.M5.00.1
H=2	Steel	52.02*5.M5.02.1 ●
H=4	Steel	52.02*5.M5.04.1 ●
H=6	Steel	52.02*5.M5.06.1 ●
H=10	Zamak	52.02*5.05.10.1

* D = 10.8 F = 8.5 ● = R / Genios Retrofit Solution
G / Genios Integrated Solution
Available only for dowel 10.8

Series MS Slide-On

Asymmetric mounting plate for central panel. Fixing by dowels and selftapping screws. Vertical adjustment.

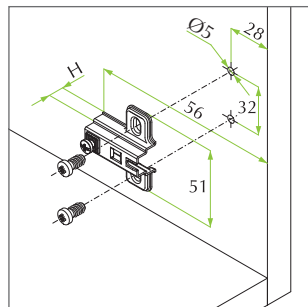
37



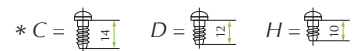
Height	Material	Code
H=2	Steel	52.52N7.M5.02.1
H=4	Steel	52.52N7.M5.04.1

Metal cruciform mounting plate. Euro screws premounted. Vertical adjustment.

28

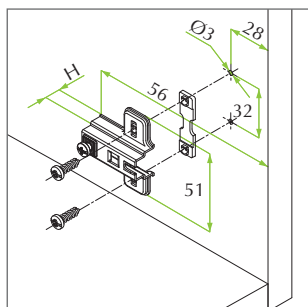


Height	Material	Code
H=4	Steel	52.0221.M5.04.*



Metal cruciform mounting plate. Premounted selftapping screws Ø4.7mm. Vertical adjustment.

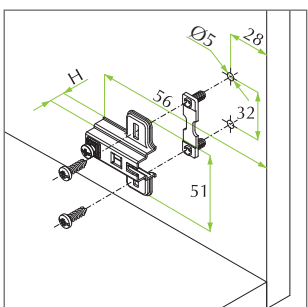
28



Height	Material	Code
H=4	Steel	52.02G1.M5.04.1

Metal cruciform mounting plate. Fixing by expanding X-Pando dowels Ø5mm. Vertical adjustment.

28

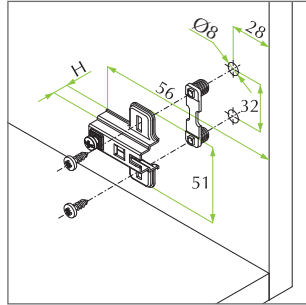


Height	Material	Code
H=4	Steel	52.02N1.M5.04.*



Metal cruciform mounting plate. Knock-in fixing with dowels Ø8mm. Vertical adjustment.

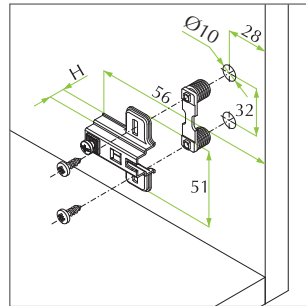
28



Height	Material	Code
H=4	Steel	52.02C1.M5.04.1

Metal cruciform mounting plate. Knock-in fixing with dowels Ø10mm. Vertical adjustment.

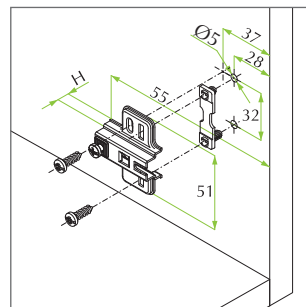
28



Height	Material	Code
H=4	Steel	52.02D1.M5.04.1

Asymmetric mounting plate for central panel. Fixing by dowels and selftapping screws. Vertical adjustment.

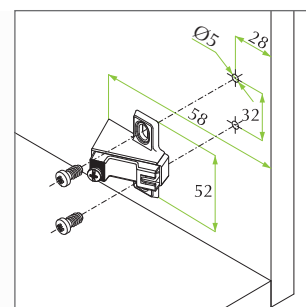
28



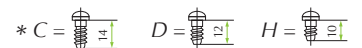
Height	Material	Code
H=2	Steel	52.52N3.M5.02.1
H=4	Steel	52.52N3.M5.04.1

Zamak cruciform mounting plate with 30° inclination. Euro screws premounted. Vertical adjustment.

28

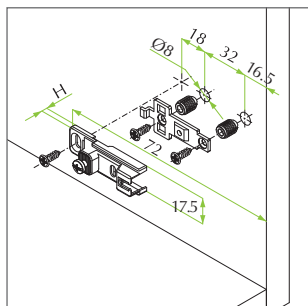


Angolo	Material	Code
30°	Zamak	52.0266.05.24.*



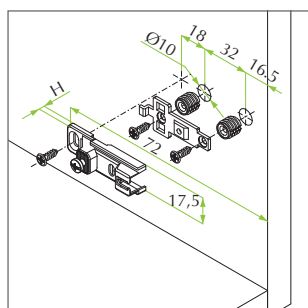
Series MS Slide-On

Zamak linear mounting plate. Knock-in fixing with dowels $\text{\O}8\text{mm}$. Independent vertical adjustment.



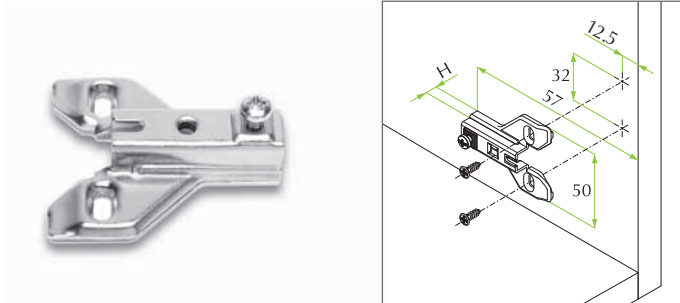
Height	Material	Code
H=2	Zamak	52.0209.05.02.1

Zamak linear mounting plate. Knock-in fixing with dowels $\text{\O}10\text{mm}$. Independent vertical adjustment.



Height	Material	Code
H=2	Zamak	52.0210.05.02.1

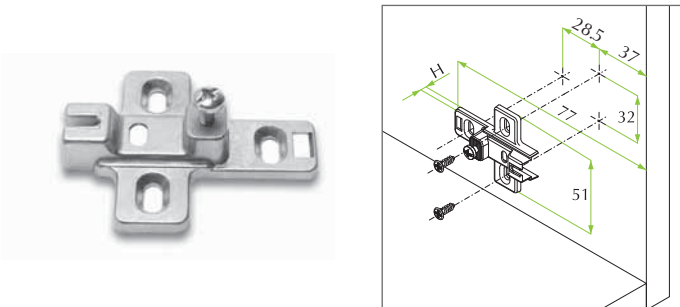
Metal mounting plate. Selftapping screw fixing. Vertical adjustment.
Screws are provided on demand.



Height	Material	Code
H=2	Steel	52.0232.M5.02.1
H=5	Zamak	52.0232.05.05.1

Zamak cruciform mounting plate. Selftapping screw fixing. Vertical adjustment.
Screws are provided on demand.

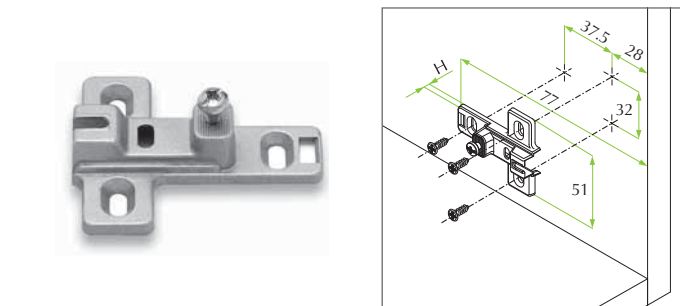
37



All applications are available on demand.

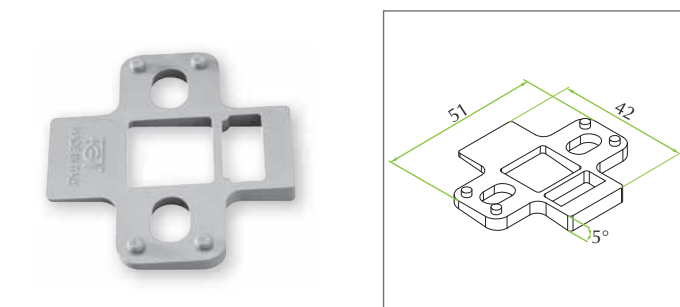
Zamak cruciform mounting plate. Selftapping screw fixing. Vertical adjustment.
Screws are provided on demand.

28



All applications are available on demand.

Spacer for mounting plates.



Material	Code
Nylon	52.0SP6.06.05.000

Stackable to get multiples of 5°.

Series MS Slide-On

Round face plate for glass door hinge.



Colour	Code
Bright chrome	51.0150.05.01R.00
Matt chrome	51.0150.0G.01R.00
Bright gold	51.0150.04.01R.00
Black painted	51.0150.08.01R.00
Black RAL 9005	51.0150.0T.01R.00
White RAL 9016	51.0150.01.01R.00
Metallized bright chrome	51.0150.0K.01R.00
Metallized bright gold	51.0150.0H.01R.00
Matt chrome painted	51.0150.0J.01R.00
Matt nickel	51.0150.06.01R.00

Oval face plate for glass door hinge.



Colour	Code
Bright chrome	51.0150.05.01D.00
Matt chrome	51.0150.0G.01D.00
Bright gold	51.0150.04.01D.00
Black painted	51.0150.08.01D.00
Black RAL 9005	51.0150.0T.01D.00
White RAL 9016	51.0150.01.01D.00
Metallized bright chrome	51.0150.0K.01D.00
Metallized bright gold	51.0150.0H.01D.00
Matt chrome painted	51.0150.0J.01D.00
Matt nickel	51.0150.06.01D.00

Plastic or Steel hinge arm cover.



Material	Code
Plastic	51.0M.00010.0000
Steel	51.0Y.00050.000N
Steel with FGV Logo*	51.0YFGV.5.0000000

*Customer logo on demand

Steel cover for hinge box.



Cup hole dist.	Material	Code
48-45	Steel	510C000500000
52	Steel	510C000500B00

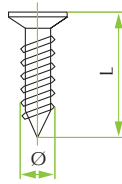
Ø35mm cover.



Material	Code
Nylon	5307C3**00000

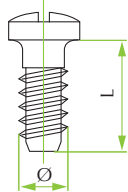
** Colour code: A1 = White RAL 9010 / A2 = Brown RAL 8016 / C6 = Grey RAL 7004 / OI = Painted matt aluminium

Selftapping screws with Pozi drive head, nickel for hinge and mounting plate fixing.



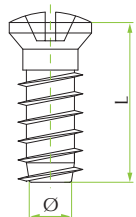
Ø	Length	Material	Code
4	12.5	Steel	1A035034150CF
4	15.5	Steel	1A035034250CF

Euro screws with Pozi drive head, nickel for mounting plate fixing.



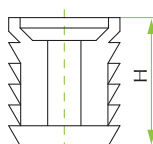
Ø	Length	Material	Code
6.3	10	Steel	1A075029350CF
6.3	12	Steel	1A075108250CF
6.3	14	Steel	1A075108150CF

Euro screws with Pozi drive head, nickel for hinge fixing.



Ø	Length	Material	Code
6.3	12	Steel	1A075130050CF

Dowel in nylon for hinge fixing.



Ø	Height	Material	Code
10	12	Nylon	2H011070530CF
8	11	Nylon	2H000449003CF



QS Mini

The right size

Low depth cup for thin doors

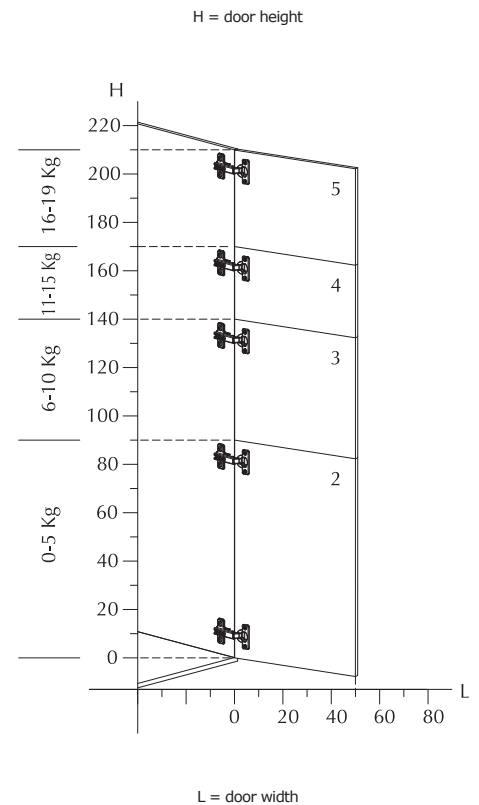
Wide range 3D door adjustment

Large range of cup-fixing methods

Complete range of hinges & mounting plates

QS Mini hinges with Ø26mm cup size are compact, performing and cost efficient. The small size allows the use on extra thin doors, but the performance is good enough to cover also standard doors in all usual sizes. QS mini-hinges are the perfect solution for bathroom, bedroom and living room applications with entry level to mid-level specifications. With pre-mounted euro-screws or self-taping screws, they are the perfect flat-pack furniture hinge.

QS Mini



Mounting System



1 Place the rear part of the hinge on the front side of the mounting plate.

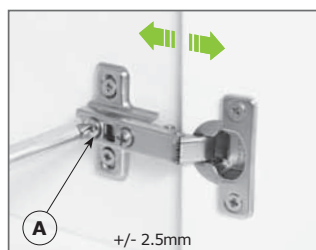


2 Let the hinge slide on the mounting plate until it stops.

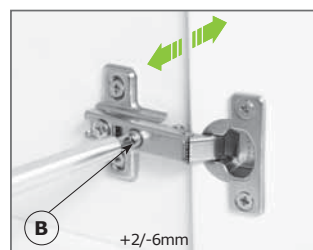


3 Tighten the connecting screw.

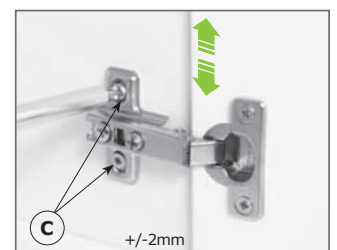
Adjusting System





Front adjustment
Acting on the "A" screw it is possible to adjust the distance between the side of the cabinet and the door.



Independent side adjustment
Acting on the "B" screw it is possible to change the amount of the door covering on the side of the cabinet.



Vertical adjustment
Acting on the "C" screw of the mounting plate it is possible to adjust the door vertically.

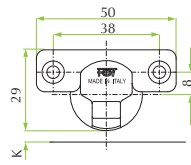
FOR WOOD DOORS 105° Ø26		Summary table	p. 112
		Product detail	p. 114
FOR WOOD CORNER 90°		Summary table	p. 112
		Product detail	p. 116

SPECIAL SOLUTIONS

FOR GLASS DOORS 105° Ø26		Summary table	p. 113
		Product detail	p. 118
FOR GLASS CORNER 90°		Summary table	p. 113
		Product detail	p. 120
FOR DOORS WITH ALUMINIUM FRAME 105°		Summary table	p. 113
		Product detail	p. 122
ZIP FIXING SYSTEM		Summary table	p. 113

**Cup hole distance
38x8mm**

M

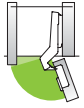


FOR WOOD DOORS 105° Ø26



Crank 0		p. 114	p. 114	p. 114	p. 114	p. 114
Crank 8		p. 114	p. 114	p. 114	p. 114	p. 114
Crank 15		p. 114	p. 114	p. 114	p. 114	p. 114

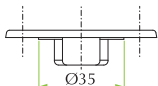
FOR WOOD CORNER DOORS 90°



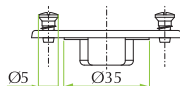
Angle 24°÷30°		p. 116	p. 116	p. 116	p. 116	p. 116
Angle 45°		p. 116	p. 116	p. 116	p. 116	p. 116
Angle 90°		p. 116	p. 116	p. 116	p. 116	p. 116



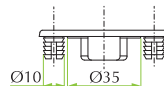
**SELFTAPPING
SCREW**



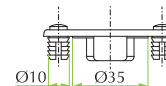
**EURO
SCREW**



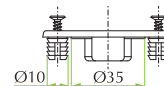
DOWEL



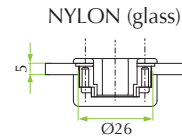
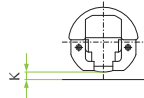
**VELOFIX
DOWEL**



**X-PANDO
DOWEL**



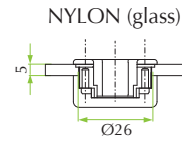
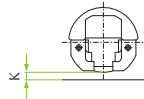
SPECIAL SOLUTIONS



FOR GLASS DOORS OPENING 105° Ø26



Crank 0		p. 118
Crank 8		p. 118
Crank 15		p. 118

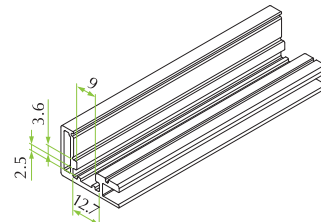


FOR CORNER CABINET - GLASS OPENING 90°



Angle 24°±30°		p. 120
Angle 45°		p. 120
Angle 90°		p. 120

LOCK FIXING



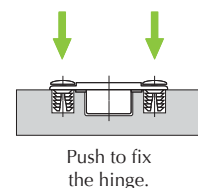
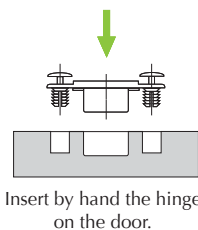
FOR DOORS WITH ALUMINIUM FRAME OPENING 105°



Crank 0		p. 122
Crank 8		p. 122
Crank 15		p. 122

ZIP FIXING SYSTEM

The Zip dowels allow a no-tool mounting of the hinge.



The hinges with Zip fixing system are available on demand. Please contact the FGV Customer Service.

QS Mini 105° Ø26 for wood doors



Technical specifications:

- Depth of the metal cup 9.8mm
- Cup diameter 26mm
- Opening 105° with (K) max 4mm and (T) max 18mm
- Possibility of door drilling (K) from 3 to 6 mm
- Thickness of the door (T) from 12 to 26 mm

CRANK 0

CRANK 8

CRANK 15



M

51.QS15.05.00.02000

51.QS15.05.08.0200

51.QS15.05.15.02000

Available with premounted selftapping screws



M

51.QS16.05.00.M2000

51.QS16.05.08.M2000

51.QS16.05.15.M2000



M

51.QS16.05.00.*2000

51.QS16.05.08.*2000

51.QS16.05.15.*2000

* 0 = dowels Ø10mm / D = dowels Ø8mm



M

51.QS18.05.00.V2000

51.QS18.05.08.V2000

51.QS18.05.15.V2000



M

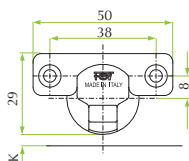
51.QS19.05.00.*2052

51.QS19.05.08.*2052

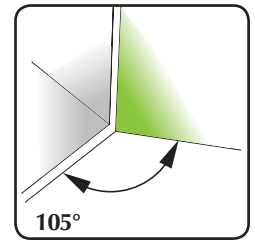
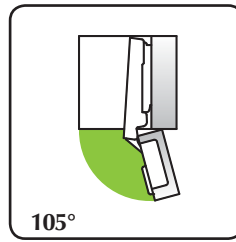
51.QS19.05.15.*2052

* 0 = dowels Ø10mm / D = dowels Ø8mm

M



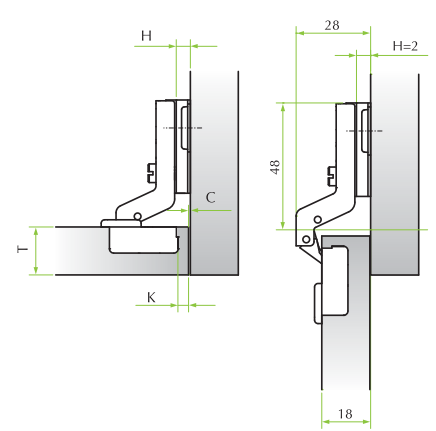
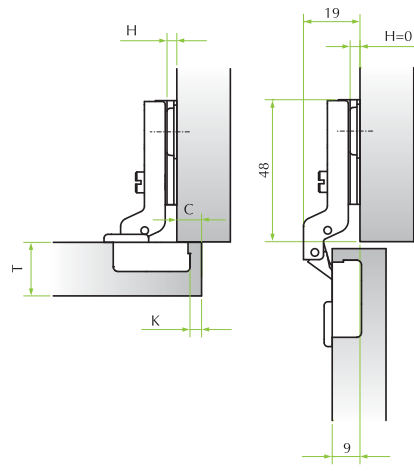
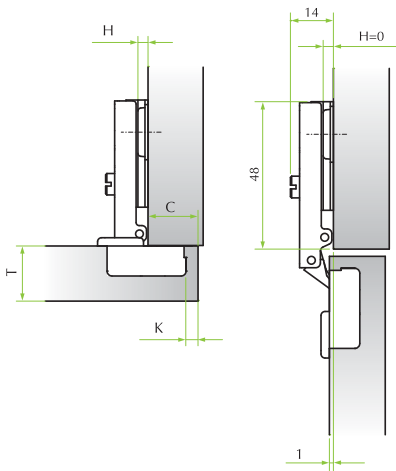
The mounting plates and fittings for this hinge series are shown from page 124 to page 127.



CRANK 0
For lay-on doors

CRANK 8
For partial lay-on doors

CRANK 15
For inset doors



		Drilling distance (K)					
		3	4	5	6		
Overlay (C)	19				0		
	18			0			
	17		0	2			
	16	0	2				
	15	2	4				
	14	4	6				
	13	6					
	12	8					
	11	10					
10	12						
							Mounting plates (H)

		Drilling distance (K)					
		3	4	5	6		
Overlay (C)	11				0		
	10			0			
	9		0	2			
	8	0	2				
	7	2	4				
	6	4	6				
	5	6					
	4	8					
	3	10					
	2	12					

		Drilling distance (K)					
		3	4	5	6		
Overlay (C)	0		2	4			
	1	2	4				
	2	4	6				
	3	6					
	4	8					
	5	10					
							Mounting plates (H)

Table to determinate the minimum distance **A** so that a door with **T** thickness can open without protrusion from the cabinet and without interfering with adjacent doors.

T=	16	17	18	19	20	21	22	23	24	25	26
K=3 A=	1.60	2.25	3.0	3.85	4.70	5.60	6.50	7.40	8.35	9.30	10.20
K=4 A=	1.55	2.10	2.75	3.50	4.30	5.15	6.00	6.90	7.80	8.70	9.65
K=5 A=	1.45	1.90	2.50	3.15	3.90	4.70	5.50	6.35	7.25	8.15	9.05
K=6 A=	1.40	1.80	2.30	2.90	3.55	4.30	5.10	5.90	6.75	7.60	8.50

QS Mini 90° for wood corner doors



Technical specifications:

- Depth of the metal cup 11.7mm
- Cup diameter 26mm
- Opening 90°
- Possibility of door drilling (K) from 3 to 5 mm
- Thickness of the door (T) from 12 to 26 mm

ANGLE 24°÷30°

ANGLE 45°

ANGLE 90°



M

51.QS15.05.24.00000

51.QS15.05.45.00000

51.QS15.M5.90.02000

Available with premounted selftapping screws



M

51.QS16.05.24.M0000

51.QS16.05.45.M0000

51.QS16.M5.90.M2000



M

51.QS16.05.24.*2000

51.QS16.05.45.*2000

51.QS16.M5.90.*2000

* 0 = dowels Ø10mm / D = dowels Ø8mm



M

51.QS18.05.24.V0000

51.QS18.05.45.V0000

51.QS18.M5.90.V2000



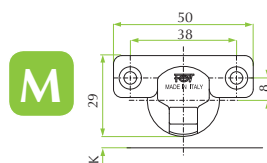
M

51.QS19.05.24.*0052

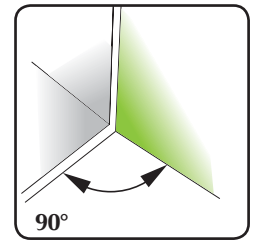
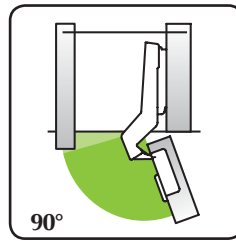
51.QS19.05.45.*0052

51.QS19.M5.90.*2052

* 0 = dowels Ø10mm / D = dowels Ø8mm



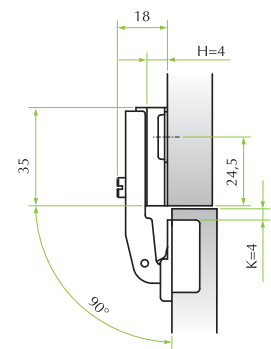
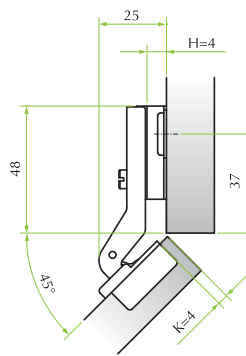
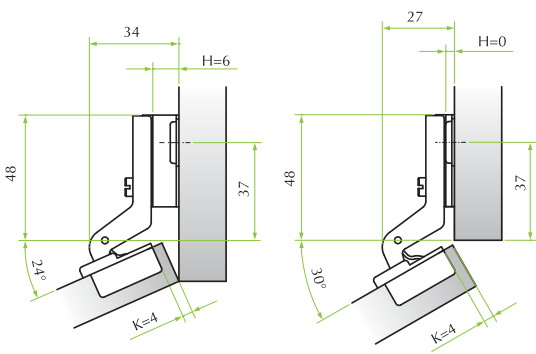
The mounting plates and fittings for this hinge series are shown from page 124 to page 127.



ANGLE $24^\circ \pm 30^\circ$

ANGLE 45°

ANGLE 90°



QS Mini 105° for glass doors



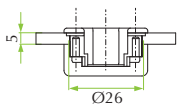
Technical specifications:

- Nylon cup
- Cup diameter 26mm
- Opening 105°
- Possibility of door drilling (K) from 3 to 6 mm
- Thickness of the glass door (T) from 4 to 5 mm

CRANK 0

CRANK 8

CRANK 15



NYLON
(glass)



51.QS51.2*.00.0200



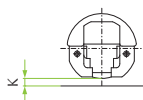
51.QS51.2*.08.0200



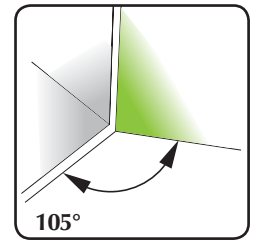
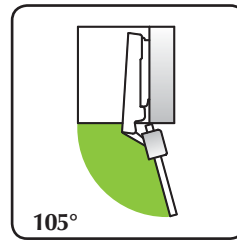
51.QS51.2*.15.0200

* 1 = White / 3 = Black

NYLON (glass)



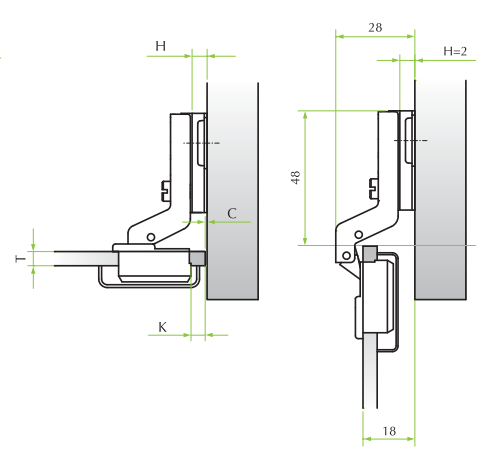
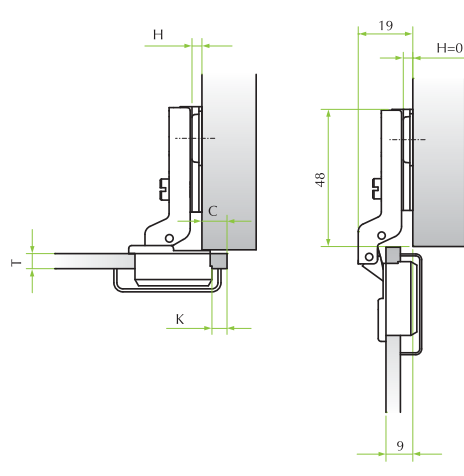
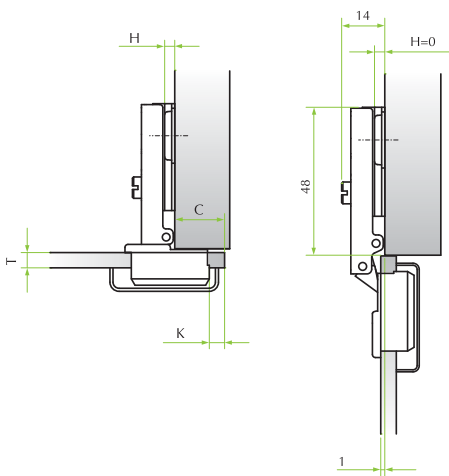
The mounting plates and fittings for this hinge series are shown from page 124 to page 127.



CRANK 0
For lay-on doors

CRANK 8
For partial lay-on doors

CRANK 15
For inset doors



		Drilling distance (K)								
		3	4	5	6					
Overlay (C)	19				0					
	18			0						
	17		0		2					
	16	0		2						
	15		2		4					
	14		2		4					
	13		4		6					
	12		4		6					
	11		6							
	10	6								
Mounting plates (H)										

		Drilling distance (K)								
		3	4	5	6					
Overlay (C)	11				0					
	10			0						
	9		0		2					
	8	0		2						
	7		2		4					
	6		2		4					
	5		4		6					
	4		4		6					
	3		6							
	2	6								
Mounting plates (H)										

		Drilling distance (K)								
		3	4	5	6					
Overlay (C)	0		2		4					
	1	2		4						
	2		4		6					
	3	4		6						
	4		6							
	5	6								
Mounting plates (H)										

QS Mini 90° for glass corner doors



Technical specifications:

- Nylon cup
- Cup diameter 26mm.
- Opening 90°
- Possibility of door drilling (K) from 3 to 5 mm.
- Thickness of the glass door (T) from 4 to 5 mm.

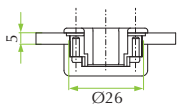
ANGLE 24°±30°



ANGLE 45°



ANGLE 90°



NYLON
(glass)



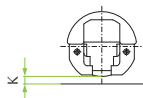
51.QS51.2*.24.0000

51.QS51.2*.45.0000

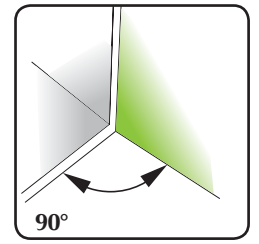
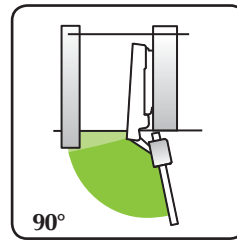
51.QS51.2*.90.0000

* 1 = White / 3 = Black

NYLON (glass)



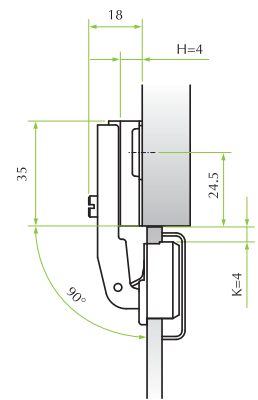
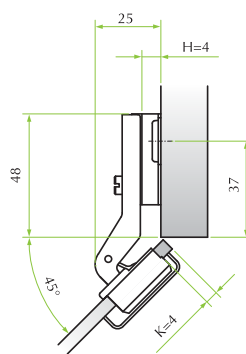
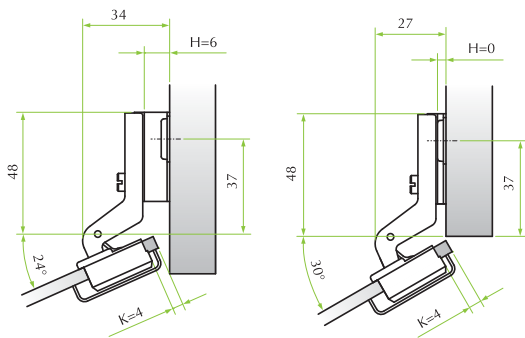
The mounting plates and fittings for this hinge series are shown from page 124 to page 127.



ANGLE 24°±30°

ANGLE 45°

ANGLE 90°



QS Mini 105° for doors with aluminium frame



Technical specifications:

- Opening 105°
- Aluminium frame (K) min. 3 to 6 mm

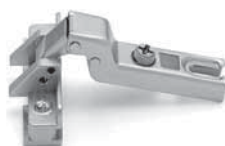
LOCK FIXING

CRANK 0



51.QS31.05.00.02000

CRANK 8



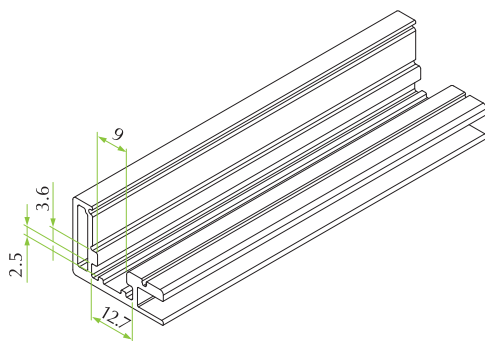
51.QS31.05.08.02000

CRANK 15

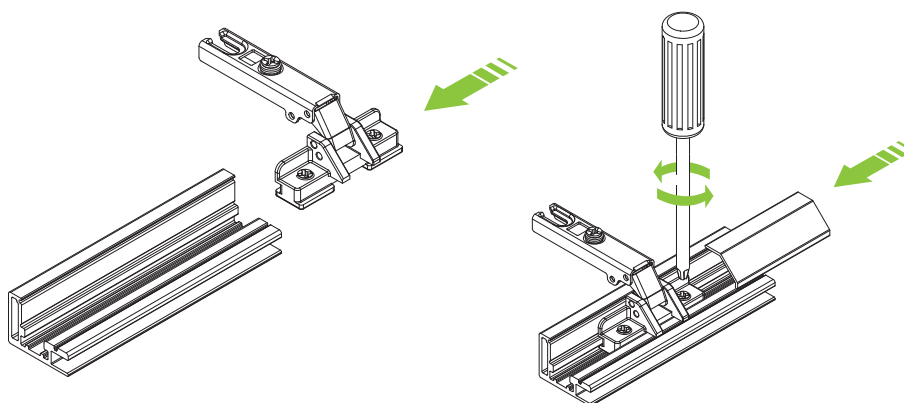


51.QS31.05.15.02000

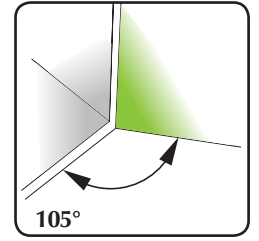
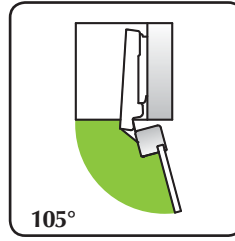
Aluminium frame:



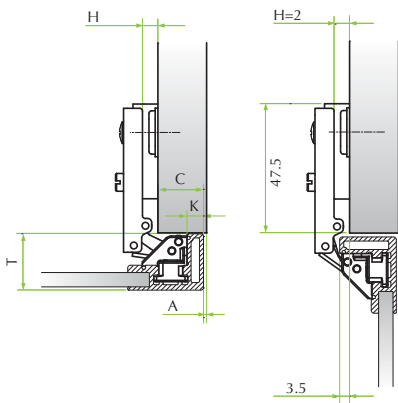
Assembly instructions:



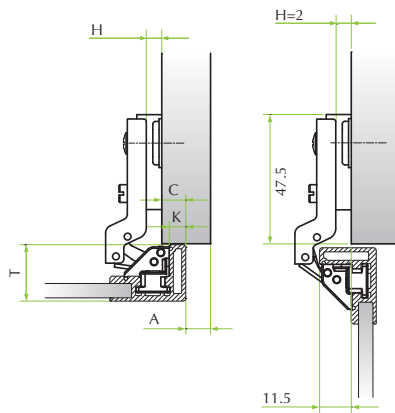
The mounting plates and fittings for this hinge series are shown from page 124 to page 127.



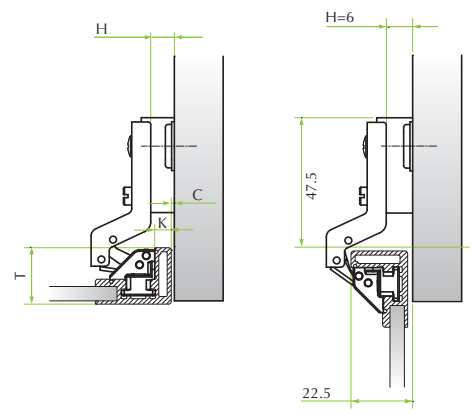
CRANK 0
For lay-on doors



CRANK 8
For partial lay-on doors



CRANK 15
For inset doors



Overlay (C)	Drilling distance (K)			
	3	4	5	6
19				0
18			0	
17		0	2	
16	0	2		
15	2	4		
14	2	4		
13	4	6		
12	4	6		
11	6			
10	6			

Mounting plates (H)

Overlay (C)	Drilling distance (K)			
	3	4	5	6
11				0
10			0	
9		0	2	
8	0	2		
7	2	4		
6	2	4		
5	4	6		
4	4	6		
3	6			
2	6			

Mounting plates (H)

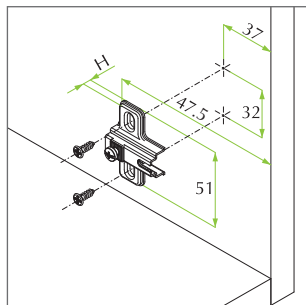
Overlay (C)	Drilling distance (K)			
	3	4	5	6
0		2	4	
1	2	4		
2	4	6		
3	4	6		
4	6			
5	6			

Mounting plates (H)

Metal cruciform mounting plate. Selftapping screw fixing. Vertical adjustment.

Screws are provided on demand.

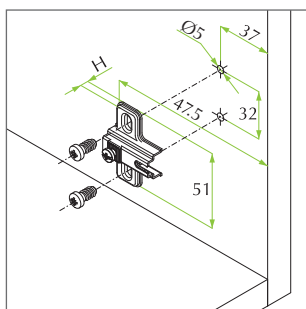
37



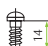

Height	Material	Code
H=0	Steel	52.0301.M5.00.1
H=2	Steel	52.0301.M5.02.1
H=4	Steel	52.0301.M5.04.1
H=6	Steel	52.0301.M5.06.1

Metal cruciform mounting plate. Euro screws premounted. Vertical adjustment.

37

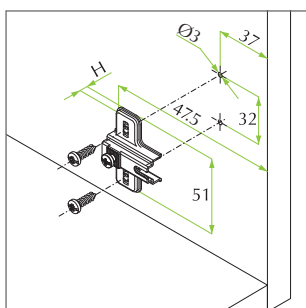


Height	Material	Code
H=0	Steel	52.0316.M5.00.*
H=2	Steel	52.0316.M5.02.*
H=4	Steel	52.0316.M5.04.*
H=6	Steel	52.0316.M5.06.*

* C =  H = 

Metal cruciform mounting plate. Premounted selftapping screws Ø4.7mm. Vertical adjustment.

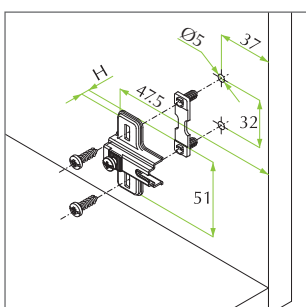
37



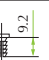

Height	Material	Code
H=0	Steel	52.03G5.M5.00.1
H=2	Steel	52.03G5.M5.02.1
H=4	Steel	52.03G5.M5.04.1
H=6	Steel	52.03G5.M5.06.1

Metal cruciform mounting plate. Fixing by expanding X-Pando dowels Ø5mm. Vertical adjustment.

37

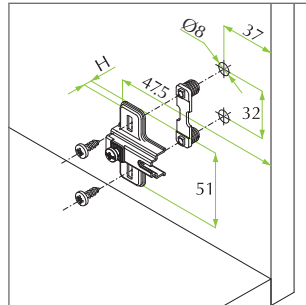


Height	Material	Code
H=0	Steel	52.03N5.M5.00.*
H=2	Steel	52.03N5.M5.02.*
H=4	Steel	52.03N5.M5.04.*
H=6	Steel	52.03N5.M5.06.*

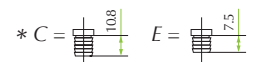
* 1 =  3 = 

Metal cruciform mounting plate. Knock-in fixing with dowels Ø8mm. Vertical adjustment.

37

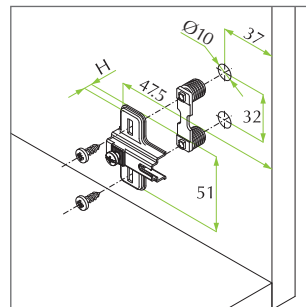


Height	Material	Code
H=0	Steel	52.03*5.M5.00.1
H=2	Steel	52.03*5.M5.02.1
H=4	Steel	52.03*5.M5.04.1
H=6	Steel	52.03*5.M5.06.1

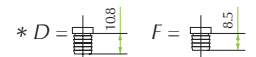


Metal cruciform mounting plate. Knock-in fixing with dowels Ø10mm. Vertical adjustment.

37

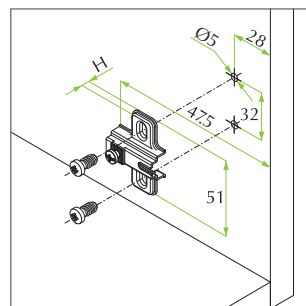


Height	Material	Code
H=0	Steel	52.03*5.M5.00.1
H=2	Steel	52.03*5.M5.02.1
H=4	Steel	52.03*5.M5.04.1
H=6	Steel	52.03*5.M5.06.1

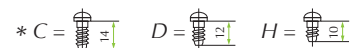


Metal cruciform mounting plate. Euro screws premounted. Vertical adjustment.

28

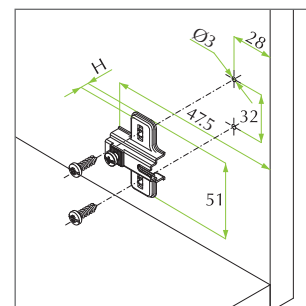


Height	Material	Code
H=2	Steel	52.0321.M5.02.*



Metal cruciform mounting plate. Premounted selftapping screws Ø4.7mm. Vertical adjustment.

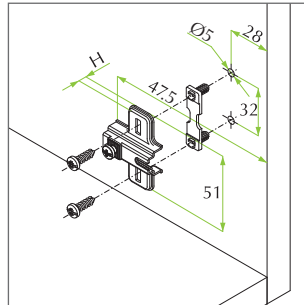
28



Height	Material	Code
H=2	Steel	52.03G1.M5.02.1

Metal mounting plate. Fixing by expanding X-Pando dowels Ø5mm. Vertical adjustment.

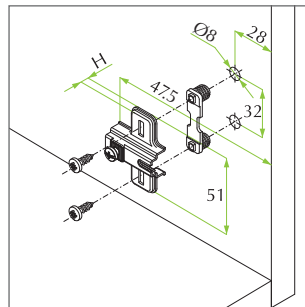
28



Height	Material	Code
H=2	Steel	52.03N1.M5.02.1

Metal cruciform mounting plate. Knock-in fixing with dowels Ø8mm. Vertical adjustment.

28

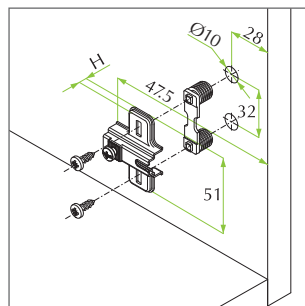


Height	Material	Code
H=2	Steel	52.03*1.M5.02.1

* C = E =

Metal cruciform mounting plate. Knock-in fixing with dowels Ø10mm. Vertical adjustment.

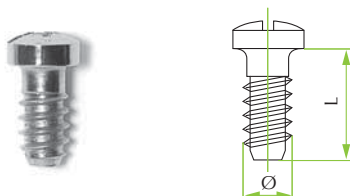
28



Height	Material	Code
H=2	Steel	52.03*1.M5.02.1

* D = F =

Euro screws with Pozi drive head, nickel for mounting plate fixing.



Ø	Length	Material	Code
6.3	10	Steel	1A075029350CF
6.3	12	Steel	1A075108250CF
6.3	14	Steel	1A075108150CF

Round face plate for glass door hinge.



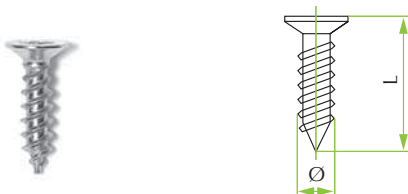
Colour	Code
Bright chrome	51.0150.05.01R.00
Matt chrome	51.0150.0G.01R.00
Bright gold	51.0150.04.01R.00
Black painted	51.0150.08.01R.00
Black RAL 9005	51.0150.0T.01R.00
White RAL 9016	51.0150.01.01R.00
Metallized bright chrome	51.0150.0K.01R.00
Metallized bright gold	51.0150.0H.01R.00
Matt chrome painted	51.0150.0J.01R.00
Matt nickel	51.0150.06.01R.00

Oval face plate for glass door hinge.



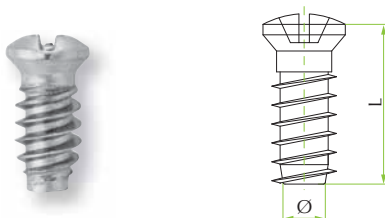
Colour	Code
Bright chrome	51.0150.05.01D.00
Matt chrome	51.0150.0G.01D.00
Bright gold	51.0150.04.01D.00
Black painted	51.0150.08.01D.00
Black RAL 9005	51.0150.0T.01D.00
White RAL 9016	51.0150.01.01D.00
Metallized bright chrome	51.0150.0K.01D.00
Metallized bright gold	51.0150.0H.01D.00
Matt chrome painted	51.0150.0J.01D.00
Matt nickel	51.0150.06.01D.00

Selftapping screws with Pozi drive head, nickel for hinge and mounting plate fixing.



Ø	Length	Material	Code
4	12.5	Steel	1A035034150CF
4	15.5	Steel	1A035034250CF

Euro screws with Pozi drive head, nickel for hinge fixing.



Ø	Length	Material	Code
6.3	12	Steel	1A075130050CF

Dowel in nylon for hinge fixing.



Ø	Height	Material	Code
10	12	Nylon	2H011070530CF
8	11	Nylon	2H000449003CF