

Bath Vanities

TABLE OF CONTENTS



Chatham Collection
Vanity: VN2CHA-36-BL-NT | Top: TOPO37CQ
Bowl: VN2-OVAL-15 | Mirror: MIR2CHA-28-BL

ORDERING	239
VANITY INDEX	
JEFFREY ALEXANDER	240–241
JEFFREY ALEXANDER SILVER LABEL	242–243
VANITY FEATURES & PART NUMBER KEY	244–245
NEW GREEN FINISH INSPIRATION	246–247
COLLECTIONS	
JEFFREY ALEXANDER	248–265
JEFFREY ALEXANDER SILVER LABEL	266–278
KNOB & PULL OPTIONS	279
COMBINATIONS MOOD BOARD	280–281
TOP & BOWL INFORMATION	
VANITY TOP OVERVIEW	282–283
VANITY TOP MATERIALS	284–286
BOWLS	287
MIRRORS	288–289
SPECIFICATIONS	
VANITIES	290–295
TOPS	296–300
CARE & CLEANING	302
WARRANTY	303

THE POWER OF

We understand that when it comes to creating a perfectly personalized space, options are of utmost importance. You now have the power to select the ideal vanity configuration that fits your personal style. Simply choose the style of vanity, vanity top, and bowl shape to complete a look that you love. **There are over 2,500 possible combinations!**



The Astoria collection is featured above to showcase the wide variety of combinations available.

Vanity styles range from classically ornate to sleek and airy. **11 top options in Quartz, Natural Stone, or Cultured Marble are available in all sizes.** Color choices range from deep, complex shades to medium, neutral tones to light and tranquil hues. Each vanity top is crafted with care and is available with either an oval or rectangle bowl cutout.

All vanities, vanity tops, bowls, and mirrors are stocked in our centrally-located warehouse.

Orders typically ship within 24 hours.



ORDERING MADE EASY



Chatham Collection
Base: VN2CHA-24-GR-NT | Top: TOPO25AS
Bowl: VN2-OVAL-15 | Mirror: MIR2CHA-22-GR

STEP 1

Select a vanity

- Begin creating the ideal vanity by choosing from 11 collections with a wide variety of sizes and trending finishes
- Pages 248-278



STEP 2

Select a vanity top* color & material

- Choose from 11 different top colors in 3 types of material
- Pages 282-286



*Matching backsplash included

STEP 3

Select a bowl

- Choose a rectangle or oval bowl; available for all vanity tops
- Page 287



STEP 4

Select a mirror

- Choose a coordinating mirror to create the ideal bathroom space
- Pages 288-289



COMPLETE THE LOOK

- Sidesplashes are available and will work on either side of the vanity top (see page 283 for more information)
- Check out our other product lines: Knobs & Pulls (pages 13-208) & Organizers (pages 313-496)

Faucet not included with vanity purchase. Assembly required.

All products (vanity, top, bowl, sidesplash, and mirror), when purchased together will be individually packaged, secured, and shipped together on a pallet.

To place an order, call customer service at 1-800-463-0660, or visit our website at www.HardwareResources.com to order online.

VANITY INDEX

ASTORIA



24" GREY
VN2AST-24-GR-NT
See page 249



30" WHITE
VN2AST-30-WH-NT
See page 249



36" ESPRESSO
VN2AST-36-ES-NT
See page 249



48" GREY
VN2AST-48-GR-NT
See page 249

For a complete list of sizes & finish options see page 249

CADE



18" GREY
VN2CAD-18-GR-PO
See page 252



24" WHITE
VN2CAD-24-WH-NT
See page 252



30" BLACK
VN2CAD-30-BK-NT
See page 252



36" FOREST GREEN
VN2CAD-36-GN-NT
See page 253



48" HALE BLUE
VN2CAD-48-BL-NT
See page 253



**60" GREY
DOUBLE BOWL**
VN2CAD-60-GR-NT
See page 253



Astoria Collection
Vanity: VN2AST-24-ES-NT | Top: TOPR25LA
Bowl: Integrated | Mirror: MIR2AST-22-ES

For a complete list of sizes & finish options see pages 252-253

VANITY INDEX

CHATHAM



24" GREY
VN2CHA-24-GR-NT
See page 256



30" FOREST GREEN
VN2CHA-30-GN-NT
See page 256



36" WHITE
VN2CHA-36-WH-NT
See page 256



48" HALE BLUE
VN2CHA-48-BL-NT
See page 257



**60" CHOCOLATE
SINGLE BOWL**
VN2CHA-60SCH-NT
See page 257



**60" GREY
DOUBLE BOWL**
VN2CHA-60-GR-NT
See page 257

For a complete list of sizes & finish options see pages 256-257

SAVINO



24" GREY
VN2SAV-24-GR-NT
See page 260



30" WHITE
VN2SAV-30-WH-NT
See page 260



36" GREY
VN2SAV-36-GR-NT
See page 260



48" WHITE
VN2SAV-48-WH-NT
See page 261



**60" GREY
DOUBLE BOWL**
VN2SAV-60-GR-NT
See page 261

For a complete list of sizes & finish options see pages 260-261

WAVECREST



24" GREY
VN2WAV-24-GR-NT
See page 264



30" FOREST GREEN
VN2WAV-30-GN-NT
See page 264



36" WHITE
VN2WAV-36-WH-NT
See page 264



48" HALE BLUE
VN2WAV-48-BL-NT
See page 265



**60" GREY
DOUBLE BOWL**
VN2WAV-60-GR-NT
See page 265

For a complete list of sizes & finish options see pages 264-265



VANITY INDEX

ADDINGTON



24" GREY
VN2ADD-24-GR-NT
See page 266



30" WHITE
VN2ADD-30-WH-NT
See page 267



36" GREY
VN2ADD-36-GR-NT
See page 267



48" WHITE
VN2ADD-48-WH-NT
See page 267



**60" GREY
DOUBLE BOWL**
VN2ADD-60-GR-NT
See page 267

For a complete list of sizes & finish options see pages 266-267

ADLER



30" GREY
VN2ADL-30-GR-NT
See page 270



36" HALE BLUE
VN2ADL-36-BL-NT
See page 270



48" WHITE
VN2ADL-48-WH-NT
See page 270



**60" BLACK
DOUBLE BOWL**
VN2ADL-60-BK-NT
See page 271

For a complete list of sizes & finish options see pages 270-271



Shown with custom knobs.
See page 279 for more information.

Adler Collection
Vanity: VN2ADL-60-WH-NT | Top: CUSTOM
Bowl: VN2-OVAL-15 | Mirror: MIR2DOU-42-WH

**SILVER
LABEL**

VANITY INDEX

CLAIREMONT



30" NUTMEG
VN2CLA-30-NU-NT
See page 273



48" NUTMEG
VN2CLA-48-NU-NT
See page 273



**60" NUTMEG
DOUBLE BOWL**
VN2CLA-60-NU-NT
See page 273



*This collection is being retired.
Check availability online or
call for more information.*

COMPTON



30" WALNUT
VN2COM-30-WA-NT
See page 275



48" WHITE
VN2COM-48-WH-NT
See page 275



**60" WALNUT
DOUBLE BOWL**
VN2COM-60-WA-NT
See page 275



*This collection is being retired.
Check availability online or
call for more information.*

For a complete list of sizes & finish options see page 275

DOUGLAS



24" HALE BLUE
VN2DOU-24-BL-NT
See page 277



30" WHITE
VN2DOU-30-WH-NT
See page 277



48" BLACK
VN2DOU-48-BK-NT
See page 277



**60" WHITE
DOUBLE BOWL**
VN2DOU-60-WH-NT
See page 277

For a complete list of sizes & finish options see page 277

JENSEN



30" HALE BLUE
VN2JEN-30-BL-NT



*This collection is being retired.
Check availability online or
call for more information.*

For a complete list of finish options see page 278

QUALITY FEATURES

JEFFREY ALEXANDER VANITIES



Furniture Style Hardwood Construction

- Solid hardwood frame and furniture grade plywood

Soft-close EVERYTHING

- Hardware Resources full extension, soft-close undermount drawer slides
- Hardware Resources soft-close hinges

Maximum Storage

- Adjustable shelves
- Rollout drawers
- Custom hardwood tipout trays; no false front drawers

Dovetail Hardwood Drawer Boxes

- Expertly crafted components for ultimate durability

**SILVER
LABEL**

JEFFREY ALEXANDER SILVER LABEL VANITIES



High Quality MDF Construction

- Strong, durable, sealed material that is ideal for use in the bathroom
- Great for painted vanities

Soft-close EVERYTHING

- Hardware Resources full extension, soft-close ball bearing drawer slides
- Hardware Resources soft-close hinges*

Maximum Storage

- Full extension drawers
- Generous cabinet sizes
- Stainless steel removable tipout trays; no false front drawers

ALL OF OUR VANITIES FEATURE:



Safety Compliant Material

All wood is compliant with CARB2/TSCA Title VI safety standards



Lifetime Warranty

Lifetime warranty for the original purchaser



On Trend Styles and Finishes



Enhanced Packaging

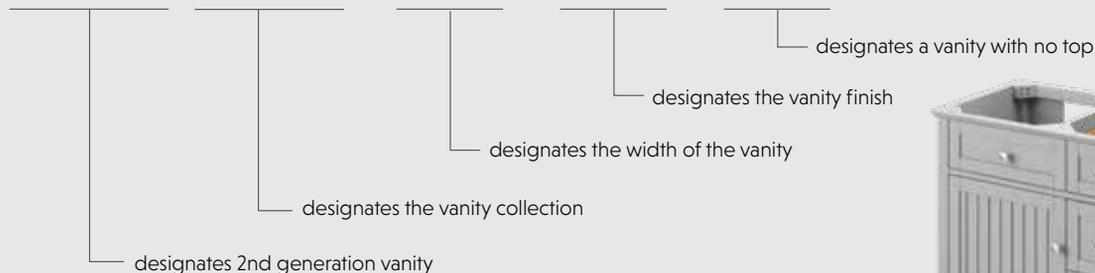
Extra padding and supports protect against damage in shipping

**Where applicable*

VANITY PART NUMBER KEY

Example (60" Grey Savino Vanity with No Top):

VN2SAV-60-GR-NT



CODE ABBREVIATIONS

ADD	Addington	18	18" vanity	BK	Black
ADL	Adler	24	24" vanity	BL	Hale Blue
AST	Astoria	30	30" vanity	CH	Chocolate
CAD	Cade	36	36" vanity	ES	Espresso
CHA	Chatham	48	48" vanity	GN	Forest Green
CLA	Clairemont	60	60" vanity (double bowl)	GR	Grey
COM	Compton	61S	60" vanity (single bowl)	NU	Nutmeg
DOU	Douglas			WA	Walnut
JEN	Jensen			WH	White
SAV	Savino				
WAV	Wavecrest				



VNSWATCH-KIT

Vanity Finish Swatch Kits

Jeffrey Alexander finish swatch kits are available from your sales representative.



Savino Collection

Vanity: VN2SAV-60-GR-NT | Top: TOPO61AS
Bowl: VN2-OVAL-15 | Mirror: MIR2CHA-22-GR

CREATE A LITTLE

Transform the bathroom into a garden of earthy delight with our **NEW** trendy finish, Forest Green.

Available in these popular styles & sizes.



36" Cade
VN2CAD-36-GN-NT
See page 253



30" Chatham
VN2CHA-30-GN-NT
See page 256



30" Wavecrest
VN2WAV-30-GN-NT
See page 264



36" Wavecrest
VN2WAV-36-GN-NT
See page 264



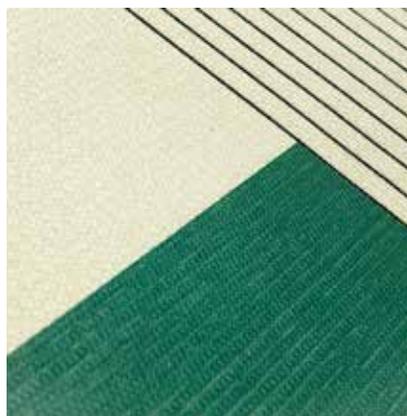
48" Wavecrest
VN2WAV-48-GN-NT
See page 265



Green calls forth new beginnings. Green is renewal and abundance. Green is luscious grass, calm forests, healthy food, money, and your next bathroom vanity. You can bring the harmony of your entertaining space into the bathroom with a new finish on select Jeffrey Alexander vanities.

“ Green is the prime color of the world,
and that from which its loveliness arises. ”

– Pedro Calderon de la Barca, Spanish poet, writer & dramatist



ASTORIA COLLECTION

AVAILABLE FINISHES



NEW (WH)
White



(GR)
Grey



(ES)
Espresso

See pages 282-287 for available top options

This solid wood vanity features clean lines with a stepped door profile for a modern look. The deep Espresso, soft White, or modern Grey finish with Slade Satin Nickel knobs complements the style. For suggested mirrors, please see pages 288-289.



Astoria Collection

Vanity: VN2AST-48-WH-NT | Top: TOPR49LS
Bowl: VN2-RECT-19 | Mirror: MIR2AST-28-WH

FEATURES

- Sizes: 24", 30", 36", and 48"
- Furniture-style hardwood construction
- Full extension, soft-close undermount drawer slides
- Integrated soft-close hinges
- All drawers are solid wood & dovetailed
- Accepts rectangle or oval bowls
- Large, open cabinet(s) with adjustable shelf and solid wood rollout(s) (24", 36" & 48")
- Solid wood tipout tray (30" vanity)

24" VANITY



VN2AST-24-ES-NT

FINISH	VANITY	MIRROR	HARDWARE
Espresso	VN2AST-24-ES-NT 24" x 21-1/2" x 35"	MIR2AST-22-ES 22" x 34"	Satin Nickel
Grey	VN2AST-24-GR-NT 24" x 21-1/2" x 35"	MIR2AST-22-GR 22" x 34"	Satin Nickel
NEW White	VN2AST-24-WH-NT 24" x 21-1/2" x 35"	MIR2AST-22-WH 22" x 34"	Satin Nickel

30" VANITY



VN2AST-30-GR-NT

FINISH	VANITY	MIRROR	HARDWARE
Espresso	VN2AST-30-ES-NT 30" x 21-1/2" x 35"	MIR2AST-22-ES 22" x 34"	Satin Nickel
Grey	VN2AST-30-GR-NT 30" x 21-1/2" x 35"	MIR2AST-22-GR 22" x 34"	Satin Nickel
NEW White	VN2AST-30-WH-NT 30" x 21-1/2" x 35"	MIR2AST-22-WH 22" x 34"	Satin Nickel

36" VANITY



VN2AST-36-WH-NT

FINISH	VANITY	MIRROR	HARDWARE
Espresso	VN2AST-36-ES-NT 36" x 21-1/2" x 35"	MIR2AST-28-ES 28" x 34"	Satin Nickel
Grey	VN2AST-36-GR-NT 36" x 21-1/2" x 35"	MIR2AST-28-GR 28" x 34"	Satin Nickel
NEW White	VN2AST-36-WH-NT 36" x 21-1/2" x 35"	MIR2AST-28-WH 28" x 34"	Satin Nickel

48" VANITY



VN2AST-48-GR-NT

FINISH	VANITY	MIRROR	HARDWARE
Espresso	VN2AST-48-ES-NT 48" x 21-1/2" x 35"	MIR2AST-28-ES 28" x 34"	Satin Nickel
Grey	VN2AST-48-GR-NT 48" x 21-1/2" x 35"	MIR2AST-28-GR 28" x 34"	Satin Nickel
NEW White	VN2AST-48-WH-NT 48" x 21-1/2" x 35"	MIR2AST-28-WH 28" x 34"	Satin Nickel

WHERE CAN I FIND THAT HARDWARE?



The decorative hardware included on this vanity is from the Slade collection. Find it in the Knobs & Pulls section of this catalog on page 160.



Cade Collection

Vanity: VN2CAD-36-BL-NT | Top: TOPR37WCCAD-ADD

Bowl: VN2-RECT-19 | Mirror: MIR2CAD-33-BL

CADE

COLLECTION

Sleek lines and raised panels come together to create a unique design for the sophisticated Cade vanity collection. Contemporary Stanton pulls adorn this vanity collection, adding elegance and class. Cade's design styles merge to create a perfectly transitional vanity collection. With a myriad of finishes, this vanity complements any bathroom with the perfect touch. For suggested mirrors, please see pages 288-289.



Cade Collection

Vanity: VN2CAD-60-BK-NT | Top: TOPR61WC

Bowl: VN2-RECT-19 | Mirror: Custom

FEATURES

- Sizes: 18", 24", 30", 36", 48", and 60" double bowl
- Furniture-style hardwood construction
- Full extension, soft-close undermount drawer slides
- Integrated soft-close hinges
- All drawers are solid wood & dovetailed
- Accepts rectangle or oval bowls
- Large, open cabinet(s) with adjustable shelf and solid wood rollout(s)

CADE COLLECTION

See pages 282-287 for available top options

AVAILABLE FINISHES



(WH)
White



(GR)
Grey



(BK)
Black



(BL)
Hale Blue



NEW (GN)
Forest Green

18" VANITY*



VN2CAD-18-GR-PO

FINISH	VANITY	MIRROR	HARDWARE
Grey	VN2CAD-18-GR-PO 17-3/8" x 13-1/2" x 36"	MIR2CAD-16-GR 16" x 27-15/16"	Polished Chrome
White	VN2CAD-18-WH-PO 17-3/8" x 13-1/2" x 36"	MIR2CAD-16-WH 16" x 27-15/16"	Polished Chrome

*This vanity is pre-assembled with the white porcelain vessel top.

24" VANITY



VN2CAD-24-BK-NT

FINISH	VANITY	MIRROR	HARDWARE
Black	VN2CAD-24-BK-NT 24" x 21-1/2" x 35"	MIR2CAD-22-BK 22" x 28"	Polished Chrome
Grey	VN2CAD-24-GR-NT 24" x 21-1/2" x 35"	MIR2CAD-22-GR 22" x 28"	Polished Chrome
White	VN2CAD-24-WH-NT 24" x 21-1/2" x 35"	MIR2CAD-22-WH 22" x 28"	Polished Chrome

30" VANITY



VN2CAD-30-GR-NT

FINISH	VANITY	MIRROR	HARDWARE
Black	VN2CAD-30-BK-NT 30" x 21-1/2" x 35"	MIR2CAD-24-BK 24" x 28"	Polished Chrome
Grey	VN2CAD-30-GR-NT 30" x 21-1/2" x 35"	MIR2CAD-24-GR 24" x 28"	Polished Chrome
White	VN2CAD-30-WH-NT 30" x 21-1/2" x 35"	MIR2CAD-24-WH 24" x 28"	Polished Chrome

36" VANITY



VN2CAD-36-GN-NT

FINISH	VANITY	MIRROR	HARDWARE
Black	VN2CAD-36-BK-NT 36" x 21-1/2" x 35"	MIR2CAD-33-BK 33" x 28"	Polished Chrome
Grey	VN2CAD-36-GR-NT 36" x 21-1/2" x 35"	MIR2CAD-33-GR 33" x 28"	Polished Chrome
White	VN2CAD-36-WH-NT 36" x 21-1/2" x 35"	MIR2CAD-33-WH 33" x 28"	Polished Chrome
Hale Blue	VN2CAD-36-BL-NT 36" x 21-1/2" x 35"	MIR2CAD-33-BL 33" x 28"	Satin Bronze
NEW Forest Green	VN2CAD-36-GN-NT 36" x 21-1/2" x 35"	MIR2CAD-33-GN 33" x 28"	Satin Bronze

48" VANITY



VN2CAD-48-BL-NT

FINISH	VANITY	MIRROR	HARDWARE
Black	VN2CAD-48-BK-NT 48" x 21-1/2" x 35"	MIR2CAD-33-BK 33" x 28"	Polished Chrome
Grey	VN2CAD-48-GR-NT 48" x 21-1/2" x 35"	MIR2CAD-33-GR 33" x 28"	Polished Chrome
White	VN2CAD-48-WH-NT 48" x 21-1/2" x 35"	MIR2CAD-33-WH 33" x 28"	Polished Chrome
Hale Blue	VN2CAD-48-BL-NT 48" x 21-1/2" x 35"	MIR2CAD-33-BL 33" x 28"	Satin Bronze

60" VANITY DOUBLE BOWL



VN2CAD-60-BK-NT

FINISH	VANITY	MIRROR	HARDWARE
Black	VN2CAD-60-BK-NT 60" x 21-1/2" x 35"	MIR2CAD-22-BK 22" x 28"	Polished Chrome
Grey	VN2CAD-60-GR-NT 60" x 21-1/2" x 35"	MIR2CAD-22-GR 22" x 28"	Polished Chrome
White	VN2CAD-60-WH-NT 60" x 21-1/2" x 35"	MIR2CAD-22-WH 22" x 28"	Polished Chrome

WHERE CAN I FIND THAT HARDWARE?



The decorative hardware included on this vanity is from the Stanton collection. Find it in the Knobs & Pulls section of this catalog on page 162.

**Bath
Vanities**



Chatham Collection

Vanity: VN2CHA-36-WH-NT | Top: TOPO37MG

Bowl: VN2-OVAL-15 | Mirror: MIR2CHA-28-WH

CHATHAM

COLLECTION

The Chatham vanity collection embraces the classic Shaker style with refined elegance. Our popular Chatham collection is available in a diverse selection of colors and sizes that provide a variety of options. For suggested mirrors, please see pages 288-289.



Chatham Collection

Vanity: VN2CHA-60-GR-NT | Top: TOPO61WC
Bowl: VN2-OVAL-15 | Mirror: MIR2CHA-40-GR

FEATURES

- Sizes: 24", 30", 36", 48", 60" single bowl and 60" double bowl
- Furniture-style hardwood construction
- Full extension, soft-close undermount drawer slides
- Integrated soft-close hinges
- All drawers are solid wood & dovetailed
- Accepts rectangle or oval bowls
- Large, open cabinet(s) with adjustable shelf and solid wood rollout(s)
- Solid wood tipout tray

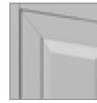
CHATHAM COLLECTION

See pages 282-287 for available top options

AVAILABLE FINISHES



(WH)
White



(GR)
Grey



(CH)
Chocolate



(BL)
Hale Blue



NEW (GN)
Forest Green

24" VANITY



VN2CHA-24-WH-NT

FINISH	VANITY	MIRROR	HARDWARE
Chocolate	VN2CHA-24-CH-NT 24" x 21-1/2" x 35"	MIR2CHA-22-CH 22" x 34"	Satin Nickel
Grey	VN2CHA-24-GR-NT 24" x 21-1/2" x 35"	MIR2CHA-22-GR 22" x 34"	Satin Nickel
White	VN2CHA-24-WH-NT 24" x 21-1/2" x 35"	MIR2CHA-22-WH 22" x 34"	Satin Nickel
Hale Blue	VN2CHA-24-BL-NT 24" x 21-1/2" x 35"	MIR2CHA-22-BL 22" x 34"	Satin Bronze

30" VANITY



VN2CHA-30-GN-NT

FINISH	VANITY	MIRROR	HARDWARE
Chocolate	VN2CHA-30-CH-NT 30" x 21-1/2" x 35"	MIR2CHA-22-CH 22" x 34"	Satin Nickel
Grey	VN2CHA-30-GR-NT 30" x 21-1/2" x 35"	MIR2CHA-22-GR 22" x 34"	Satin Nickel
White	VN2CHA-30-WH-NT 30" x 21-1/2" x 35"	MIR2CHA-22-WH 22" x 34"	Satin Nickel
Hale Blue	VN2CHA-30-BL-NT 30" x 21-1/2" x 35"	MIR2CHA-22-BL 22" x 34"	Satin Bronze
NEW Forest Green	VN2CHA-30-GN-NT 30" x 21-1/2" x 35"	MIR2CHA-28-GN 28" x 34"	Satin Bronze

36" VANITY



VN2CHA-36-BL-NT

FINISH	VANITY	MIRROR	HARDWARE
Chocolate	VN2CHA-36-CH-NT 36" x 21-1/2" x 35"	MIR2CHA-28-CH 28" x 34"	Satin Nickel
Grey	VN2CHA-36-GR-NT 36" x 21-1/2" x 35"	MIR2CHA-28-GR 28" x 34"	Satin Nickel
White	VN2CHA-36-WH-NT 36" x 21-1/2" x 35"	MIR2CHA-28-WH 28" x 34"	Satin Nickel
Hale Blue	VN2CHA-36-BL-NT 36" x 21-1/2" x 35"	MIR2CHA-28-BL 28" x 34"	Satin Bronze

48" VANITY



VN2CHA-48-WH-NT

FINISH	VANITY	MIRROR	HARDWARE
Chocolate	VN2CHA-48-CH-NT 48" x 21-1/2" x 35"	MIR2CHA-40-CH 40" x 34"	Satin Nickel
Grey	VN2CHA-48-GR-NT 48" x 21-1/2" x 35"	MIR2CHA-40-GR 40" x 34"	Satin Nickel
White	VN2CHA-48-WH-NT 48" x 21-1/2" x 35"	MIR2CHA-40-WH 40" x 34"	Satin Nickel
Hale Blue	VN2CHA-48-BL-NT 48" x 21-1/2" x 35"	MIR2CHA-40-BL 40" x 34"	Satin Bronze

60" VANITY SINGLE BOWL



VN2CHA-60SCH-NT

FINISH	VANITY	MIRROR	HARDWARE
Chocolate	VN2CHA-60SCH-NT* 60" x 21-1/2" x 35"	MIR2CHA-40-CH 40" x 34"	Satin Nickel
Grey	VN2CHA-60SGR-NT* 60" x 21-1/2" x 35"	MIR2CHA-40-GR 40" x 34"	Satin Nickel
White	VN2CHA-60SWH-NT* 60" x 21-1/2" x 35"	MIR2CHA-40-WH 40" x 34"	Satin Nickel

*The "S" in the item number designates this 60" vanity is designed for a single bowl.

60" VANITY DOUBLE BOWL



VN2CHA-60-GR-NT

FINISH	VANITY	MIRROR	HARDWARE
Chocolate	VN2CHA-60-CH-NT 60" x 21-1/2" x 35"	MIR2CHA-22-CH 22" x 34"	Satin Nickel
Grey	VN2CHA-60-GR-NT 60" x 21-1/2" x 35"	MIR2CHA-22-GR 22" x 34"	Satin Nickel
White	VN2CHA-60-WH-NT 60" x 21-1/2" x 35"	MIR2CHA-22-WH 22" x 34"	Satin Nickel

WHERE CAN I FIND THAT HARDWARE?



The decorative hardware included on this vanity are from the Bremen 1 & Cordova collections. Find them in the Knobs & Pulls section of this catalog on pages 38 & 49.



Savino Collection

Vanity: VN2SAV-30-WH-NT | Top: TOPO31SG

Bowl: VN2-OVAL-15 | Mirror: MIR2CHA-28-WH

SAVINO

COLLECTION

Savino provides a fresh twist on the classic Shaker style and includes innovative features to enhance the beauty of this vanity. Rollout drawers are integrated into the cabinet to make storage easier and more convenient. The White or Grey finish is complemented by the Annadale family of knobs. For suggested mirrors, please see pages 288-289.



Savino Collection

Vanity: VN2SAV-60-GR-NT | Top: Custom

Bowl: VN2-RECT-19 | Mirror: MIR2CHA-22-GR

FEATURES

- Sizes: 24", 30", 36", 48", and 60" double bowl
- Furniture-style hardwood construction
- Full extension, soft-close undermount drawer slides
- Integrated soft-close hinges
- All drawers are solid wood & dovetailed
- Accepts rectangle or oval bowls
- Large, open cabinet(s) with adjustable shelf and solid wood rollout(s)
- Solid wood tipout tray

SAVINO COLLECTION

See pages 282-287 for available top options

AVAILABLE FINISHES



(WH)
White



(GR)
Grey

24" VANITY



VN2SAV-24-GR-NT

FINISH	VANITY	MIRROR	HARDWARE
Grey	VN2SAV-24-GR-NT 24" x 21-1/2" x 35"	MIR2CHA-22-GR 22" x 34"	Satin Nickel
White	VN2SAV-24-WH-NT 24" x 21-1/2" x 35"	MIR2CHA-22-WH 22" x 34"	Matte Black

30" VANITY



VN2SAV-30-WH-NT

FINISH	VANITY	MIRROR	HARDWARE
Grey	VN2SAV-30-GR-NT 30" x 21-1/2" x 35"	MIR2CHA-22-GR 22" x 34"	Satin Nickel
White	VN2SAV-30-WH-NT 30" x 21-1/2" x 35"	MIR2CHA-22-WH 22" x 34"	Matte Black

36" VANITY



VN2SAV-36-GR-NT

FINISH	VANITY	MIRROR	HARDWARE
Grey	VN2SAV-36-GR-NT 36" x 21-1/2" x 35"	MIR2CHA-28-GR 28" x 34"	Satin Nickel
White	VN2SAV-36-WH-NT 36" x 21-1/2" x 35"	MIR2CHA-28-WH 28" x 34"	Matte Black

48" VANITY



VN2SAV-48-WH-NT

FINISH	VANITY	MIRROR	HARDWARE
Grey	VN2SAV-48-GR-NT 48" x 21-1/2" x 35"	MIR2CHA-40-GR 40" x 34"	Satin Nickel
White	VN2SAV-48-WH-NT 48" x 21-1/2" x 35"	MIR2CHA-40-WH 40" x 34"	Matte Black

60" VANITY DOUBLE BOWL



VN2SAV-60-GR-NT

FINISH	VANITY	MIRROR	HARDWARE
Grey	VN2SAV-60-GR-NT 60" x 21-1/2" x 35"	MIR2CHA-22-GR 22" x 34"	Satin Nickel
White	VN2SAV-60-WH-NT 60" x 21-1/2" x 35"	MIR2CHA-22-WH 22" x 34"	Matte Black

WHERE CAN I FIND THAT HARDWARE?



The decorative hardware included on this vanity is from the Annadale collection. Find it in the Knobs & Pulls section of this catalog on page 26.



Savino Collection

Vanity: VN2SAV-48-GR-NT | Top: TOPR49GQ

Bowl: VN2-RECT-19 | Mirror: MIR2CHA-40-GR



Wavecrest Collection
Vanity: VN2WAV-48-GR-NT | Top: TOPR49WC
Bowl: VN2-RECT-19 | Mirror: MIR2CAD-33-GR

WAVECREST

COLLECTION

Escape to the seaside with the Wavecrest vanity collection. Crisp, clean edges and a slatted bottom shelf evoke a feeling of stepping out into the calm of the seaside. False front drawers with breezy Key West pulls are transformed into hidden tipout storage space with solid wood trays. For suggested mirrors, please see pages 288-289.



FEATURES

- Sizes: 24", 30", 36", 48", and 60" double bowl
- Furniture-style hardwood construction
- Full extension, soft-close undermount drawer slides
- Integrated soft-close hinges
- All drawers are solid wood & dovetailed
- Accepts rectangle or oval bowls
- Solid wood tipout tray

WAVECREST COLLECTION

See pages 282-287 for available top options

AVAILABLE FINISHES



(WH)
White



(GR)
Grey



(BL)
Hale Blue



NEW (GN)
Forest Green

24" VANITY



VN2WAV-24-GR-NT

FINISH	VANITY	MIRROR	HARDWARE
Grey	VN2WAV-24-GR-NT 24" x 21-1/2" x 35"	MIR2CAD-22-GR 22" x 28"	Satin Nickel
White	VN2WAV-24-WH-NT 24" x 21-1/2" x 35"	MIR2CAD-22-WH 22" x 28"	Matte Black

30" VANITY



VN2WAV-30-BL-NT

FINISH	VANITY	MIRROR	HARDWARE
Grey	VN2WAV-30-GR-NT 30" x 21-1/2" x 35"	MIR2CAD-24-GR 24" x 28"	Satin Nickel
White	VN2WAV-30-WH-NT 30" x 21-1/2" x 35"	MIR2CAD-24-WH 24" x 28"	Matte Black
Hale Blue	VN2WAV-30-BL-NT 30" x 21-1/2" x 35"	MIR2CAD-24-BL 24" x 28"	Satin Bronze
NEW Forest Green	VN2WAV-30-GN-NT 30" x 21-1/2" x 35"	MIR2CAD-24-GN 24" x 28"	Satin Bronze

36" VANITY



VN2WAV-36-GN-NT

FINISH	VANITY	MIRROR	HARDWARE
Grey	VN2WAV-36-GR-NT 36" x 21-1/2" x 35"	MIR2CAD-33-GR 33" x 28"	Satin Nickel
White	VN2WAV-36-WH-NT 36" x 21-1/2" x 35"	MIR2CAD-33-WH 33" x 28"	Matte Black
Hale Blue	VN2WAV-36-BL-NT 36" x 21-1/2" x 35"	MIR2CAD-33-BL 33" x 28"	Satin Bronze
NEW Forest Green	VN2WAV-36-GN-NT 36" x 21-1/2" x 35"	MIR2CAD-33-GN 33" x 28"	Satin Bronze

48" VANITY



VN2WAV-48-WH-NT

FINISH	VANITY	MIRROR	HARDWARE
Grey	VN2WAV-48-GR-NT 48" x 21-1/2" x 35"	MIR2CAD-33-GR 33" x 28"	Satin Nickel
White	VN2WAV-48-WH-NT 48" x 21-1/2" x 35"	MIR2CAD-33-WH 33" x 28"	Matte Black
Hale Blue	VN2WAV-48-BL-NT 48" x 21-1/2" x 35"	MIR2CAD-33-BL 33" x 28"	Satin Bronze
NEW Forest Green	VN2WAV-48-GN-NT 48" x 21-1/2" x 35"	MIR2CAD-33-GN 33" x 28"	Satin Bronze

60" VANITY DOUBLE BOWL



VN2WAV-60-GR-NT

FINISH	VANITY	MIRROR	HARDWARE
Grey	VN2WAV-60-GR-NT 60" x 21-1/2" x 35"	MIR2CAD-22-GR 22" x 28"	Satin Nickel
White	VN2WAV-60-WH-NT 60" x 21-1/2" x 35"	MIR2CAD-22-WH 22" x 28"	Matte Black

WHERE CAN I FIND THAT HARDWARE?



The decorative hardware included on this vanity is from the Key West collection. Find it in the Knobs & Pulls section of this catalog on page 72.



Wavecrest Collection

Vanity: VN2WAV-36-WH-NT | Top: TOPR37SG

Bowl: VN2-RECT-19 | Mirror: MIR2CAD-33-WH

SILVER
LABEL

ADDINGTON COLLECTION

AVAILABLE FINISHES



(WH)
White



(GR)
Grey

See pages 282-287 for
available top options



Addington Collection

Vanity: VN2ADD-24-WH-NT | Top: TOPO25BO
Bowl: VN2-OVAL-15 | Mirror: MIR2ADL-24-WH

Addington is the full embodiment of Shaker style. Its simple and clean lines with tapered feet display the classic trend with grace and sophistication. Addington is complemented by the Roman collection of knobs. For suggested mirrors, please see pages 288-289.

FEATURES

- Sizes: 24", 30", 36", 48", and 60" double bowl
- Full extension, soft-close ball bearing drawer slides
- Integrated soft-close hinges
- Large, open cabinet(s)
- Durable & sealed MDF construction
- Accepts rectangle or oval bowls

24" VANITY



VN2ADD-24-WH-NT

FINISH	VANITY	MIRROR	HARDWARE
Grey	VN2ADD-24-GR-NT 24-15/16" x 21-15/16" x 35"	MIR2ADL-24-GR 24" x 28"	Satin Nickel
White	VN2ADD-24-WH-NT 24-15/16" x 21-15/16" x 35"	MIR2ADL-24-WH 24" x 28"	Matte Black

WHERE CAN I FIND THAT HARDWARE?



The decorative hardware included on this vanity is from the Roman collection. Find it in the Knobs & Pulls section of this catalog on page 102.

30" VANITY



VN2ADD-30-GR-NT

FINISH	VANITY	MIRROR	HARDWARE
Grey	VN2ADD-30-GR-NT 30-15/16" x 21-15/16" x 35"	MIR2ADL-24-GR 24" x 28"	Satin Nickel
White	VN2ADD-30-WH-NT 30-15/16" x 21-15/16" x 35"	MIR2ADL-24-WH 24" x 28"	Matte Black

36" VANITY



VN2ADD-36-WH-NT

FINISH	VANITY	MIRROR	HARDWARE
Grey	VN2ADD-36-GR-NT 36-15/16" x 21-15/16" x 35"	MIR2ADL-24-GR 24" x 28"	Satin Nickel
White	VN2ADD-36-WH-NT 36-15/16" x 21-15/16" x 35"	MIR2ADL-24-WH 24" x 28"	Matte Black

48" VANITY



VN2ADD-48-WH-NT

FINISH	VANITY	MIRROR	HARDWARE
Grey	VN2ADD-48-GR-NT 48-15/16" x 21-15/16" x 35"	MIR2ADL-24-GR 24" x 28"	Satin Nickel
White	VN2ADD-48-WH-NT 48-15/16" x 21-15/16" x 35"	MIR2ADL-24-WH 24" x 28"	Matte Black

60" VANITY DOUBLE BOWL



VN2ADD-60-WH-NT

FINISH	VANITY	MIRROR	HARDWARE
Grey	VN2ADD-60-GR-NT 60-15/16" x 21-15/16" x 35"	MIR2ADL-24-GR 24" x 28"	Satin Nickel
White	VN2ADD-60-WH-NT 60-15/16" x 21-15/16" x 35"	MIR2ADL-24-WH 24" x 28"	Matte Black



Adler Collection
Vanity: VN2ADL-48-BL-NT | Top: TOPO49WC
Bowl: VN2-OVAL-15 | Mirror: MIR2ADL-24-BL

ADLER

COLLECTION

Sleek square legs, an open bottom shelf, and the classic Shaker design create a perfect blend of style and function. The Adler collection includes vanities with various features such as open cabinets, full extension drawers, and tipout trays to accentuate the bath with storage solutions. For suggested mirrors, please see pages 288-289.



FEATURES

- Sizes: 30", 36", 48", and 60" double bowl
- Full extension, soft-close ball bearing drawer slides
- Integrated soft-close hinges
- Large open cabinet(s) (48" & 60")
- Stainless steel tipout tray (30" & 36")
- Durable & sealed MDF construction
- Accepts rectangle or oval bowls



ADLER COLLECTION

AVAILABLE FINISHES



(WH)
White



(GR)
Grey



(BK)
Black



(BL)
Hale Blue

See pages 282-287 for available top options

30" VANITY



VN2ADL-30-BK-NT

FINISH	VANITY	MIRROR	HARDWARE
Black	VN2ADL-30-BK-NT 30" x 21-1/2" x 35"	MIR2ADL-24-BK 24" x 28"	Satin Nickel
Grey	VN2ADL-30-GR-NT 30" x 21-1/2" x 35"	MIR2ADL-24-GR 24" x 28"	Satin Nickel
White	VN2ADL-30-WH-NT 30" x 21-1/2" x 35"	MIR2ADL-24-WH 24" x 28"	Satin Nickel
Hale Blue	VN2ADL-30-BL-NT 30" x 21-1/2" x 35"	MIR2ADL-24-BL 24" x 28"	Satin Bronze

36" VANITY



VN2ADL-36-GR-NT

FINISH	VANITY	MIRROR	HARDWARE
Black	VN2ADL-36-BK-NT 36" x 21-1/2" x 35"	MIR2ADL-24-BK 24" x 28"	Satin Nickel
Grey	VN2ADL-36-GR-NT 36" x 21-1/2" x 35"	MIR2ADL-24-GR 24" x 28"	Satin Nickel
White	VN2ADL-36-WH-NT 36" x 21-1/2" x 35"	MIR2ADL-24-WH 24" x 28"	Satin Nickel
Hale Blue	VN2ADL-36-BL-NT 36" x 21-1/2" x 35"	MIR2ADL-24-BL 24" x 28"	Satin Bronze

48" VANITY



VN2ADL-48-BL-NT

FINISH	VANITY	MIRROR	HARDWARE
Black	VN2ADL-48-BK-NT 48" x 21-1/2" x 35"	MIR2ADL-24-BK 24" x 28"	Satin Nickel
Grey	VN2ADL-48-GR-NT 48" x 21-1/2" x 35"	MIR2ADL-24-GR 24" x 28"	Satin Nickel
White	VN2ADL-48-WH-NT 48" x 21-1/2" x 35"	MIR2ADL-24-WH 24" x 28"	Satin Nickel
Hale Blue	VN2ADL-48-BL-NT 48" x 21-1/2" x 35"	MIR2ADL-24-BL 24" x 28"	Satin Bronze

60" VANITY DOUBLE BOWL



VN2ADL-60-WH-NT

FINISH	VANITY	MIRROR	HARDWARE
Black	VN2ADL-60-BK-NT 60" x 21-1/2" x 35"	MIR2ADL-24-BK 24" x 28"	Satin Nickel
Grey	VN2ADL-60-GR-NT 60" x 21-1/2" x 35"	MIR2ADL-24-GR 24" x 28"	Satin Nickel
White	VN2ADL-60-WH-NT 60" x 21-1/2" x 35"	MIR2ADL-24-WH 24" x 28"	Satin Nickel

WHERE CAN I FIND THAT HARDWARE?



The decorative hardware included on this vanity are from the Modena & Roman collections. Find them in the Knobs & Pulls section of this catalog on pages 94 & 102.



Adler Collection

Vanity: VN2ADL-60-BK-NT | Top: TOPO61WC
Bowl: VN2-OVAL-15 | Mirror: Custom

SILVER
LABEL

CLAIREMONT COLLECTION



*This collection is being retired.
Check availability online or call for more information.*

AVAILABLE FINISHES



(NU)
Nutmeg

*Tops are available in White Carrara
Marble and Black Granite only*

Carved floral onlays, rope trimmed knobs from the Lindos collection, and French scrolled legs add sophistication to this traditional vanity. A large cabinet provides storage space for towels and linens. Larger units feature drawers for additional storage space. For suggested mirrors, please see pages 288-289.



Clairemont Collection
Vanity: VN2CLA-48-NU-NT | Top: TOPR49BGCLA
Bowl: VN2-RECT-19 | Mirror: MIR2CLA-24-NU

FEATURES

- Sizes: 30", 48", and 60" double bowl
- Full extension, soft-close ball bearing drawer slides
- Large open cabinet(s)
- Hand-carved details
- Durable & sealed MDF construction
- Accepts rectangle or oval bowls
- Due to the unique shape of this vanity, the tops for this collection are only available in Black Granite and White Carrara Marble

30" VANITY



VN2CLA-30-NU-NT

FINISH	VANITY	MIRROR	HARDWARE
Nutmeg	VN2CLA-30-NU-NT 30" x 21-1/2" x 35"	MIR2CLA-24-NU 23-3/4" x 31-1/2"	Brushed Oil Rubbed Bronze

48" VANITY



VN2CLA-48-NU-NT

FINISH	VANITY	MIRROR	HARDWARE
Nutmeg	VN2CLA-48-NU-NT 48" x 21-1/2" x 35"	MIR2CLA-24-NU 23-3/4" x 31-1/2"	Brushed Oil Rubbed Bronze

60" VANITY DOUBLE BOWL



VN2CLA-60-NU-NT

FINISH	VANITY	MIRROR	HARDWARE
Nutmeg	VN2CLA-60-NU-NT 60" x 21-1/2" x 35"	MIR2CLA-24-NU 23-3/4" x 31-1/2"	Brushed Oil Rubbed Bronze

WHERE CAN I FIND THAT HARDWARE?



The decorative hardware included on this vanity is from the Lindos collection. Find it in the Knobs & Pulls section of this catalog on page 152.

SILVER
LABEL

COMPTON COLLECTION



*This collection is being retired.
Check availability online or call for more information.*

AVAILABLE FINISHES



(WA)
Walnut



(WH)
White

*Tops are available in White Carrara
Marble and Black Granite only*

Simple beadboard doors, curved bun feet, and a rounded front form this cottage-style vanity collection. Transform any space with the Walnut or White finish to create a focal point that fits your style. For suggested mirrors, please see pages 288-289.



Compton Collection
Vanity: VN2COM-60-WH-NT | Top: TOPO61BGCOM
Bowl: VN2-OVAL-15 | Mirror: MIR2COM-22-WH

FEATURES

- Sizes: 30", 48", and 60" double bowl
- Full extension, soft-close ball bearing drawer slides
- Large open cabinet(s)
- Durable & sealed MDF construction
- Accepts rectangle or oval bowls
- Due to the unique shape of this vanity, the tops for this collection are only available in Black Granite and White Carrara Marble

30" VANITY



VN2COM-30-WH-NT

FINISH	VANITY	MIRROR	HARDWARE
Walnut	VN2COM-30-WA-NT 30" x 21-1/2" x 35"	MIR2COM-26-WA 26" x 36"	Antique Brass
White	VN2COM-30-WH-NT 30" x 21-1/2" x 35"	MIR2COM-26-WH 26" x 36"	Satin Nickel

48" VANITY



VN2COM-48-WA-NT

FINISH	VANITY	MIRROR	HARDWARE
Walnut	VN2COM-48-WA-NT 48" x 21-1/2" x 35"	MIR2COM-44-WA 44" x 34"	Antique Brass
White	VN2COM-48-WH-NT 48" x 21-1/2" x 35"	MIR2COM-44-WH 44" x 34"	Satin Nickel

60" VANITY DOUBLE BOWL



VN2COM-60-WH-NT

FINISH	VANITY	MIRROR	HARDWARE
Walnut	VN2COM-60-WA-NT 60" x 21-1/2" x 35"	MIR2COM-22-WA 22" x 30"	Antique Brass
White	VN2COM-60-WH-NT 60" x 21-1/2" x 35"	MIR2COM-22-WH 22" x 30"	Satin Nickel

WHERE CAN I FIND THAT HARDWARE?



The decorative hardware included on this vanity is from the Bremen 2 collection. Find it in the Knobs & Pulls section of this catalog on page 40.

**SILVER
LABEL**

DOUGLAS COLLECTION

AVAILABLE FINISHES



(WH)
White



(BK)
Black



(BL)
Hale Blue

See pages 282-287 for available top options



Douglas Collection
Vanity: VN2DOU-30-BK-NT | Top: TOPO31BQ
Bowl: VN2-OVAL-15 | Mirror: MIR2DOU-20-BK

Smooth lines with faceted accents, tapered feet, classic edging, and trendy Roman knobs create a versatile style. Place a Douglas vanity in a modern space or in a traditional room and see the transformation! For suggested mirrors, please see pages 288-289.

FEATURES

- Sizes: 24", 30", 48", and 60" double bowl
- Full extension, soft-close ball bearing drawer slides
- Integrated soft-close hinges
- Large open cabinet(s)
- Durable & sealed MDF construction
- Accepts rectangle or oval bowls

WHERE CAN I FIND THAT HARDWARE?



The decorative hardware included on this vanity is from the Roman collection. Find it in the Knobs & Pulls section of this catalog on page 102.

24" VANITY



VN2DOU-24-BL-NT

FINISH	VANITY	MIRROR	HARDWARE
Black	VN2DOU-24-BK-NT 24" x 21-1/2" x 35"	MIR2DOU-20-BK 20" x 24"	Satin Nickel
White	VN2DOU-24-WH-NT 24" x 21-1/2" x 35"	MIR2DOU-20-WH 20" x 24"	Satin Nickel
Hale Blue	VN2DOU-24-BL-NT 24" x 21-1/2" x 35"	MIR2DOU-20-BL 20" x 24"	Satin Bronze

30" VANITY



VN2DOU-30-BK-NT

FINISH	VANITY	MIRROR	HARDWARE
Black	VN2DOU-30-BK-NT 30" x 21-1/2" x 35"	MIR2DOU-20-BK 20" x 24"	Satin Nickel
White	VN2DOU-30-WH-NT 30" x 21-1/2" x 35"	MIR2DOU-20-WH 20" x 24"	Satin Nickel
Hale Blue	VN2DOU-30-BL-NT 30" x 21-1/2" x 35"	MIR2DOU-20-BL 20" x 24"	Satin Bronze

48" VANITY



VN2DOU-48-WH-NT

FINISH	VANITY	MIRROR	HARDWARE
Black	VN2DOU-48-BK-NT 48" x 21-1/2" x 35"	MIR2DOU-42-BK 42" x 28"	Satin Nickel
White	VN2DOU-48-WH-NT 48" x 21-1/2" x 35"	MIR2DOU-42-WH 42" x 28"	Satin Nickel
Hale Blue	VN2DOU-48-BL-NT 48" x 21-1/2" x 35"	MIR2DOU-42-BL 42" x 28"	Satin Bronze

60" VANITY DOUBLE BOWL



VN2DOU-60-BK-NT

FINISH	VANITY	MIRROR	HARDWARE
Black	VN2DOU-60-BK-NT 60" x 21-1/2" x 35"	MIR2DOU-20-BK 20" x 24"	Satin Nickel
White	VN2DOU-60-WH-NT 60" x 21-1/2" x 35"	MIR2DOU-20-WH 20" x 24"	Satin Nickel

**SILVER
LABEL**

JENSEN COLLECTION

 *This collection is being retired.
Check availability online or call for more information.*

AVAILABLE FINISHES



(WH)
White



(GR)
Grey



(BK)
Black



(BL)
Hale Blue

See pages 282-287 for available top options



Jensen Collection
Vanity: VN2JEN-30-BL-NT | Top: TOPO31CQ
Bowl: VN2-OVAL-15 | Mirror: MIR2JEN-22-BL

Classic refinement is accentuated with a set of elegantly tapered legs that support the Jensen vanity. This collection is ideal for smaller spaces and provides generous storage in the large open cabinet adorned with the Slade collection of knobs. For suggested mirrors, please see pages 288-289.



VN2JEN-30-GR-NT



VN2JEN-30-BK-NT

FINISH	VANITY	MIRROR	HARDWARE
Black	VN2JEN-30-BK-NT 30" x 21-1/2" x 35"	MIR2JEN-22-BK 22" x 24"	Satin Nickel
Grey	VN2JEN-30-GR-NT 30" x 21-1/2" x 35"	MIR2JEN-22-GR 22" x 24"	Satin Nickel
White	VN2JEN-30-WH-NT 30" x 21-1/2" x 35"	MIR2JEN-22-WH 22" x 24"	Satin Nickel
Hale Blue	VN2JEN-30-BL-NT 30" x 21-1/2" x 35"	MIR2JEN-22-BL 22" x 24"	Satin Bronze

FEATURES

- Size: 30"
- Durable & sealed MDF construction
- Integrated soft-close hinges
- Accepts rectangle or oval bowls
- Large open cabinet

WHERE CAN I FIND THAT HARDWARE?



The decorative hardware included on this vanity are from the Slade & Madison collections. Find them in the Knobs & Pulls section of this catalog on pages 160 & 153.

Vanity updates are easy with the wide variety of quality knobs & pulls available under our Jeffrey Alexander and Elements brands. Ask your sales representative about these brands from Hardware Resources that will transform your vanity.



Satin Nickel



Brushed Gold

Chatham vanity

Brushed Gold knobs & pulls add a contemporary flair to a grey vanity.



Satin Nickel



Matte Black

Douglas vanity

Matte Black knobs give a trendy feel to this classic vanity.

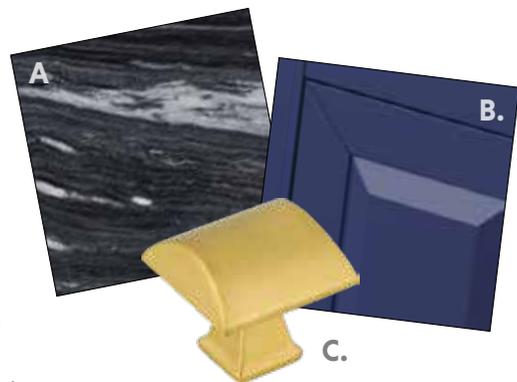
The world is bursting with inspiration to help set the tone that fits your style. Feel the earth beneath your feet. Gaze upon the galaxy. Experience the smell of a magnolia blossom. Taste a grape fresh from the vine. Listen for the wind's whisper. Discover thousands of possibilities through combining different colors and textures from Jeffrey Alexander.

Mood boards can focus inspiration into something tangible. We've selected our favorite combinations to provide a glimpse of the possibilities that can be used to bring your style to life.



eclectic

A. Vanity Top Material: Blue Limestone | B. Vanity Finish: White | C. Decorative Hardware: Annadale Matte Black Knob

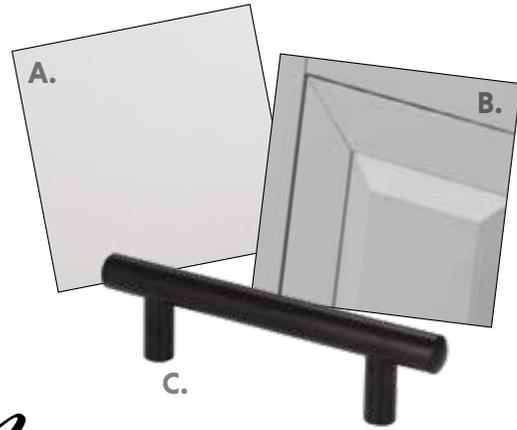


trendy

A. Vanity Top Material: Grey Marble | B. Vanity Finish: Hale Blue | C. Decorative Hardware: Roman Brushed Gold Knob



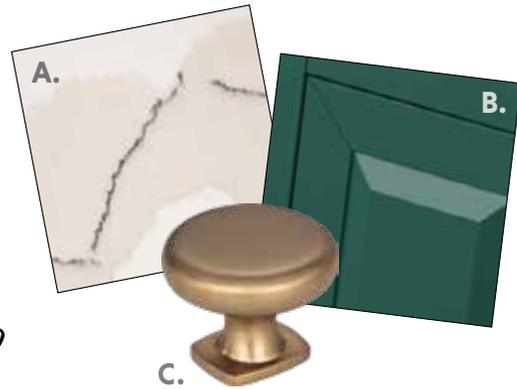
modern



A. Vanity Top Material: Lavante | B. Vanity Finish: Grey | C. Decorative Hardware: Key West Matte Black Pull



fresh



A. Vanity Top Material: Calacatta Vienna Quartz | B. Vanity Finish: Forest Green | C. Decorative Hardware: Belcastel 1 Satin Bronze Knob



boho chic



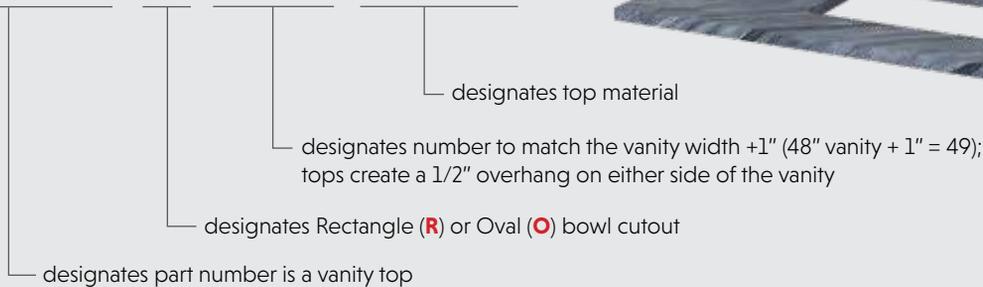
A. Vanity Top Material: Arctic Stone | B. Vanity Finish: Espresso | C. Decorative Hardware: Boswell Polished Chrome Pull

The power of selection is yours with the largest range of vanity tops. In keeping with industry trends, we offer 3 types of vanity tops at 3 tiered price points – Quartz, Natural Stone, and Cultured Marble. All vanity tops are cut with an 8" 3-hole faucet spread, either an oval or rectangle bowl, and include a 4" tall matching backsplash (except Lavante). Optional sidesplashes are also available.

VANITY TOP PART NUMBER KEY

Example (49" Grey Marble Top with Rectangle Bowl Cutout):

T O P R 4 9 M G



CODE ABBREVIATIONS

- 25** 25" top
- 31** 31" top
- 37** 37" top
- 49** 49" top
- 61** 61" top
- 61S** 61" single bowl top

- AS** Arctic Stone
- BG** Black Granite
- BO** Boulder
- BQ** Calacatta Black Quartz
- CQ** Calacatta Vienna Quartz
- GQ** Grey Quartz
- LA** Lavante
- LS** Blue Limestone
- MG** Grey Marble
- SG** Steel Grey
- WC** White Carrara Marble

SPECIAL TOP CONFIGURATIONS:



36" Astoria – has a right offset bowl, so a special top is required. "AST" is added to the part number to designate this configuration.
Example: TOPO37GQAST



36" Cade and 36" Addington – have a left offset bowl, so a special top is required. "CAD-ADD" is added to the part number to designate this configuration. **Example: TOPR37SGCAD-ADD**



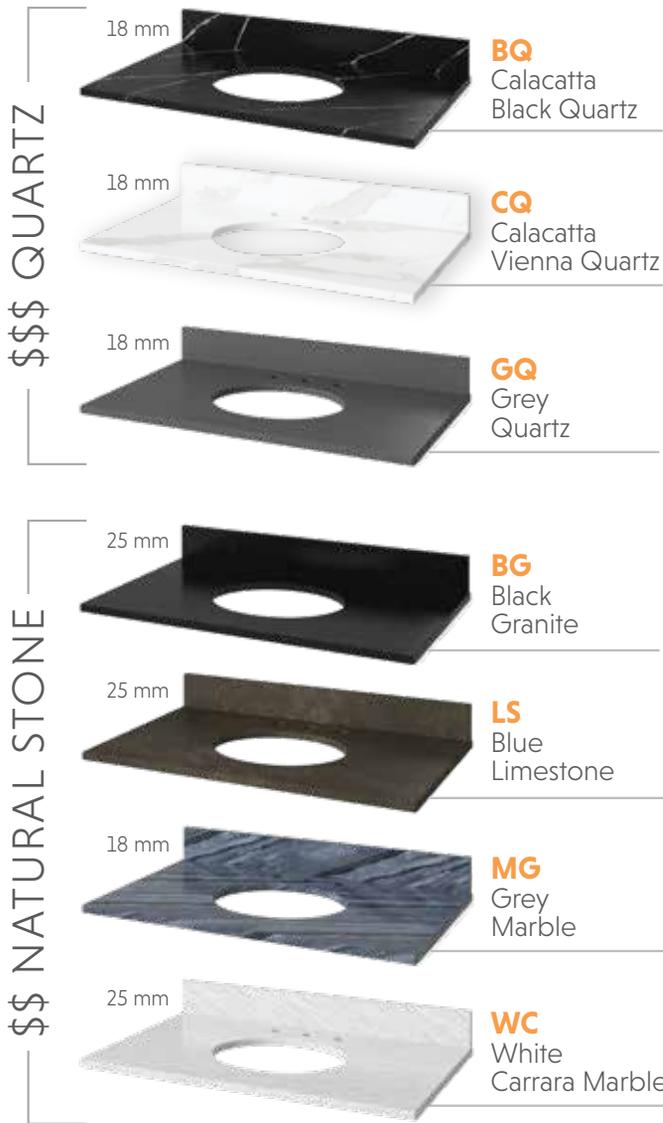
Clairemont and Compton Vanities
These tops are designated with either CLA for the Clairemont tops, or COM for the Compton tops at the end of the top item number
Examples: TOPO31WCCLA / TOPR61BGCOM



60" Single Bowl – Used with the 60" single bowl vanity (Chatham collection). "61S" is added to the part number to designate this configuration.
Example: TOPO61SBO



LA - Lavante – This top comes with an integrated rectangle bowl and no backsplash. No bowl addition is required. **Example: TOPR37LA**



Vanity Top Switch Kits

Jeffrey Alexander top switch kits are available from your sales representative.

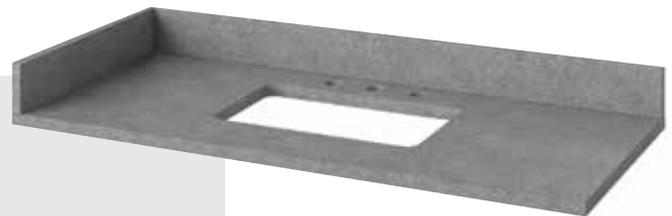
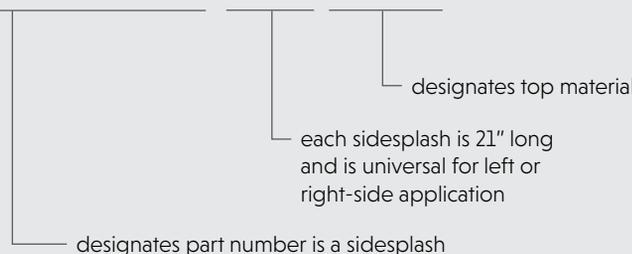
VNTOPSWATCH-KIT

Now offering sidesplashes! The sidesplashes are manufactured to be universal and can be used in both left and right configurations. Each piece is 4" tall and will be the same thickness as the matching top material.

SIDESPLASH PART NUMBER KEY

Example (21" Steel Grey Sidesplash):

SSPLASH21SG

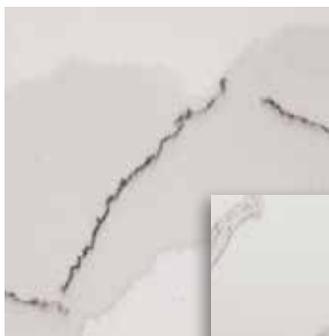


To order a sidesplash, simply choose the same material as the vanity top and use the part number key to determine the item number.

IS IN THE DETAILS

Create the ideal space with the exact textures and beauty that you want. Accentuate your bathroom design by selecting from 11 carefully curated Jeffrey Alexander tops available in an array of colors, veining, and price points.

QUARTZ



CALACATTA VIENNA QUARTZ

This quintessential quartz pattern showcases the flow of refined veining throughout a white core. Calacatta Vienna Quartz mimics the movement of natural stone while possessing the strength and durability of quartz.



Note: The veining thickness ranges from 4 mm to 63 mm and averages between 30 mm and 50 mm thick.

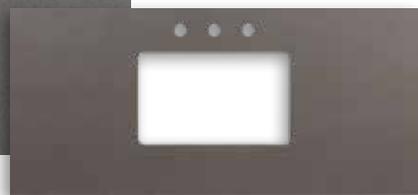
Material thickness: 18 mm

Example on pages 237, 238, 281, & 283



GREY QUARTZ

Classically smooth, warm grey tones are consistent throughout the entire quartz surface. The visual versatility of grey is combined with the durability of quartz to create a vanity top that will pair well with most any vanity base finish.



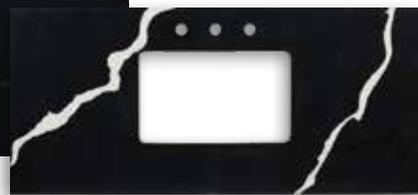
Material thickness: 18 mm

Example on page 261 & 283



CALACATTA BLACK QUARTZ

The intensity of black and white is amplified in this polished Calacatta Black Quartz. Light and dark merge with the strength and durability of quartz to make a bold statement.



Note: The veining thickness ranges from 4 mm to 63 mm and averages between 30 mm and 50 mm thick.

Material thickness: 18 mm

Example on pages 239, 276, & 283

NATURAL STONE

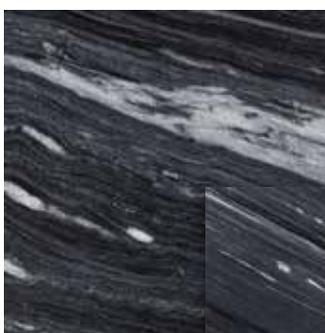


WHITE CARRARA MARBLE

White Carrara Marble is a timeless natural stone that creates a neutral clean space. Dark grey veining undulates throughout the stone as it weaves its way across the surface.

Material thickness: 25 mm

Example on pages 250, 251, 255, 262, 268, 271, 279, 282, & 283



GREY MARBLE

The multitude of natural striations lead your eyes across this gorgeous surface. The grey ranges from deep charcoal to matte white and everything in between.

Material thickness: 18 mm

Example on pages 238, 254, 282, & 283



BLUE LIMESTONE

Blue Limestone exudes personality with the wide array of natural earthy tones that meld together to create a fusion of polished texture. Colors range from soft brown undertones to shale grey flecks.

Material thickness: 25 mm

Example on pages 239, 248, 280, & 283



BLACK GRANITE

Golden flecks bring out the natural elements of this polished black surface. Granite continues as a trending countertop material and is a great option for bathrooms.

Material thickness: 25 mm

Example on pages 238, 272, 274, 282, & 283

CULTURED MARBLE



LAVANTE

The crisp, glossy white vessel top features an integrated rectangular bowl, giving any vanity a sleek, contemporary feel.

Material thickness: 64 mm

Example on pages 240, 281, 282, & 283



ARCTIC STONE

Soft specks of white and subtle striations of grey create a light and airy alabaster pattern that is incorporated throughout the entire stone.

Material thickness: 25 mm

Example on pages 239, 245, 281, 283, & 301



BOULDER

Grey mid-tones and flecks of white blend to create a warm, deep grey visual texture that is reminiscent of majestic boulders glistening in the bright sun.

Material thickness: 25 mm

Example on pages 266 & 283



STEEL GREY

Small bits of white and grey merge into a neutral salt and pepper finish. This neutral grey is spread evenly throughout, creating an ideal surface.

Material thickness: 25 mm

Example on pages 238, 258, 265, & 283

BOWL OPTIONS

**VN2-OVAL-15 - Oval Bowl**

Used on all sizes of tops

**VN2-RECT-16 - Rectangle Bowl**

Used on 25" tops

**VN2-RECT-19 - Rectangle Bowl**

Used on all 31", 37", 49", and 61" tops

In today's bathrooms, our bowls need to hold up against life yet still look sophisticated and elegant. Jeffrey Alexander vanity bowls offer just that in undermount oval and rectangle white porcelain.

Vanity Bowl Features:

- Designed with a deep bowl (providing more usable space within the bowl) and a built-in overflow drain.
- Made of high quality materials – porcelain is durable, easy to clean, and resistant to corrosion
- UPC Certified – these codes are designed to provide consumers with safe and sanitary plumbing systems. Unless otherwise specified, all porcelain sinks are UPC Certified

The bowl and top assembly process has been simplified by adding pre-installed anchor nuts to the tops. Detailed, full assembly instructions are included with each vanity top to help ensure the most efficient and effective method of assembly. Mounting kits are included with each porcelain bowl.

**TOP & BOWL INSTALLATION**

Tops do not come with the bowl preinstalled. Installation instructions can be downloaded by scanning the QR code or visiting:
<https://delivr.com/2cyp4>

MIRRORS

The power of selection extends to choosing a mirror that coordinates with your style. Choose from our suggestions, or mix it up!

MIRROR PART NUMBER KEY

Example (22" White Cade Mirror):

MIR2CAD-22-WH

— designates the mirror finish
 — designates the width of the mirror in inches
 — designates the primary coordinating vanity collection
 — designates 2nd generation vanity mirror

ADLER & ADDINGTON



MIR2ADL-24-GR
Size: 24" x 28"

Available Finishes:



ASTORIA



MIR2AST-22-ES
Size: 22" x 34"



MIR2AST-28-WH
Size: 28" x 34"

Available Finishes:



CADE & WAVECREST



MIR2CAD-16-GR
Size: 16" x 28"



MIR2CAD-22-WH
Size: 22" x 28"

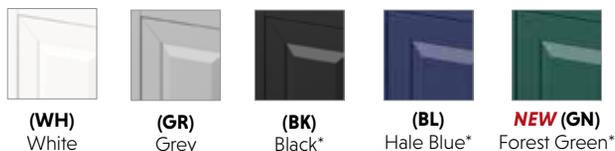


MIR2CAD-24-BK
Size: 24" x 28"



MIR2CAD-33-BL
Size: 33" x 28"

Available Finishes:



*Sizes 22", 24" & 33" only

CHATHAM & SAVINO



MIR2CHA-22-GR
Size: 22" x 34"



MIR2CHA-28-WH
Size: 28" x 34"



MIR2CHA-40-BL
Size: 40" x 34"

Available Finishes:



(WH)
White



(GR)
Grey



(CH)
Chocolate



(BL)
Hale Blue



NEW (GN)
Forest Green*

*Size 28" only

CLAIREMONT



MIR2CLA-24-NU
Size: 23-3/4" x 31-1/2"

Available Finishes:



(NU)
Nutmeg

This collection is being retired. Check availability online or call for more information.

COMPTON



MIR2COM-22-WH
Size: 22" x 30"



MIR2COM-26-WA
Size: 26" x 36"



MIR2COM-44-WH
Size: 44" x 34"

Available Finishes:



(WH)
White



(WA)
Walnut

This collection is being retired. Check availability online or call for more information.

DOUGLAS



MIR2DOU-20-BL
Size: 20" x 24"



MIR2DOU-42-WH
Size: 42" x 28"

Available Finishes:



(WH)
White



(BK)
Black



(BL)
Hale Blue



NEW (GN)
Forest Green*

*Size 42" only

JENSEN



MIR2JEN-22-GR
Size: 22" x 24"

Available Finishes:



(WH)
White



(GR)
Grey



(BK)
Black



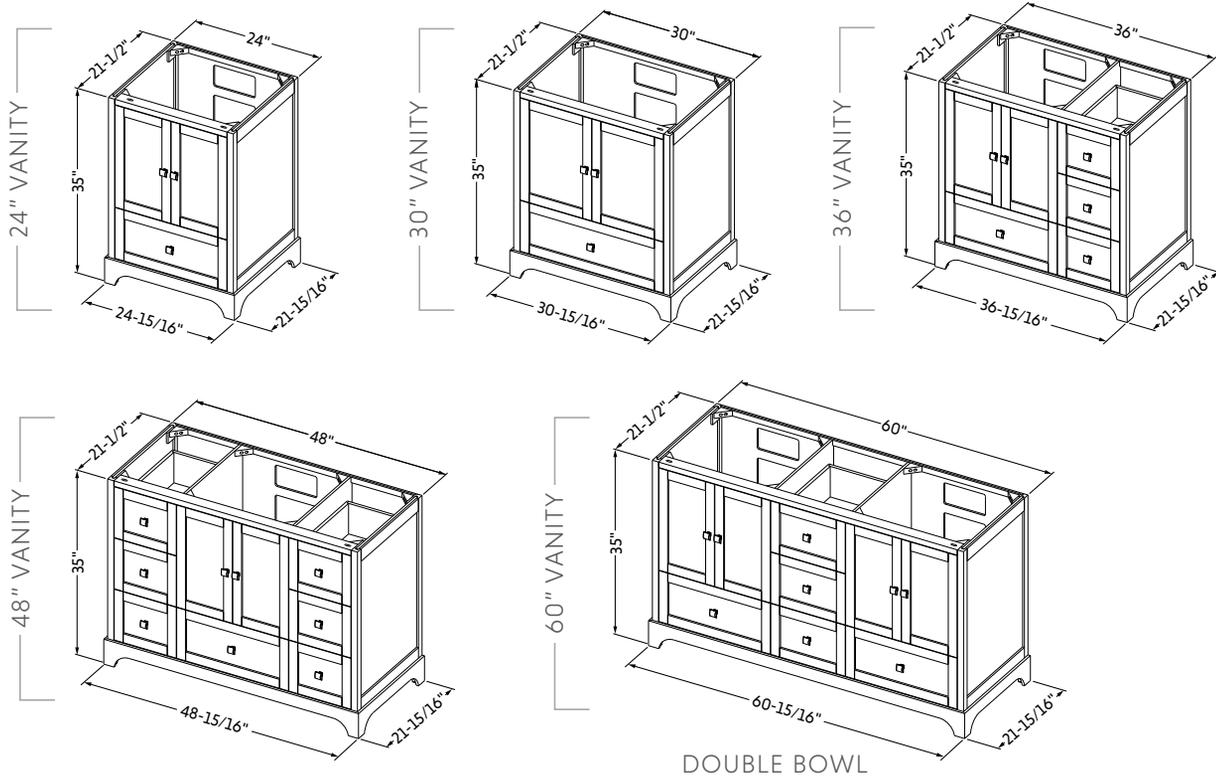
(BL)
Hale Blue



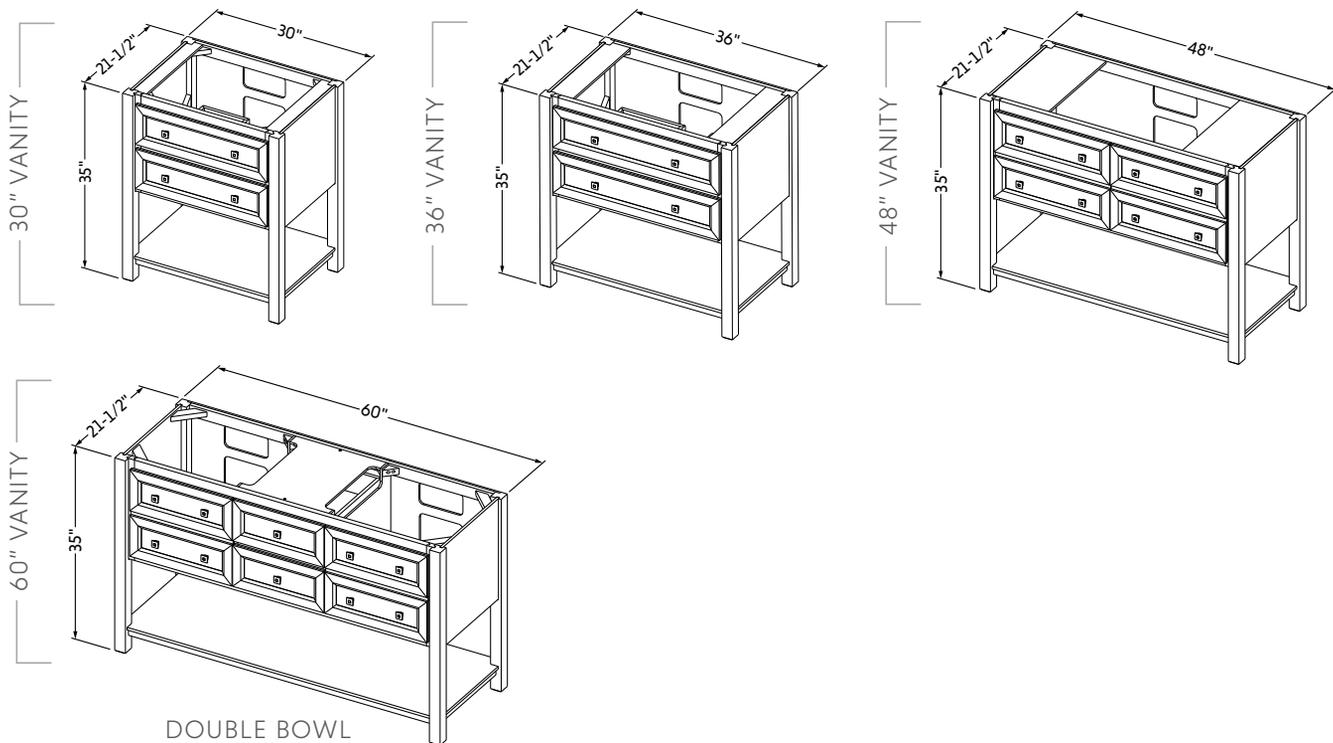
NEW (GN)
Forest Green

This collection is being retired. Check availability online or call for more information.

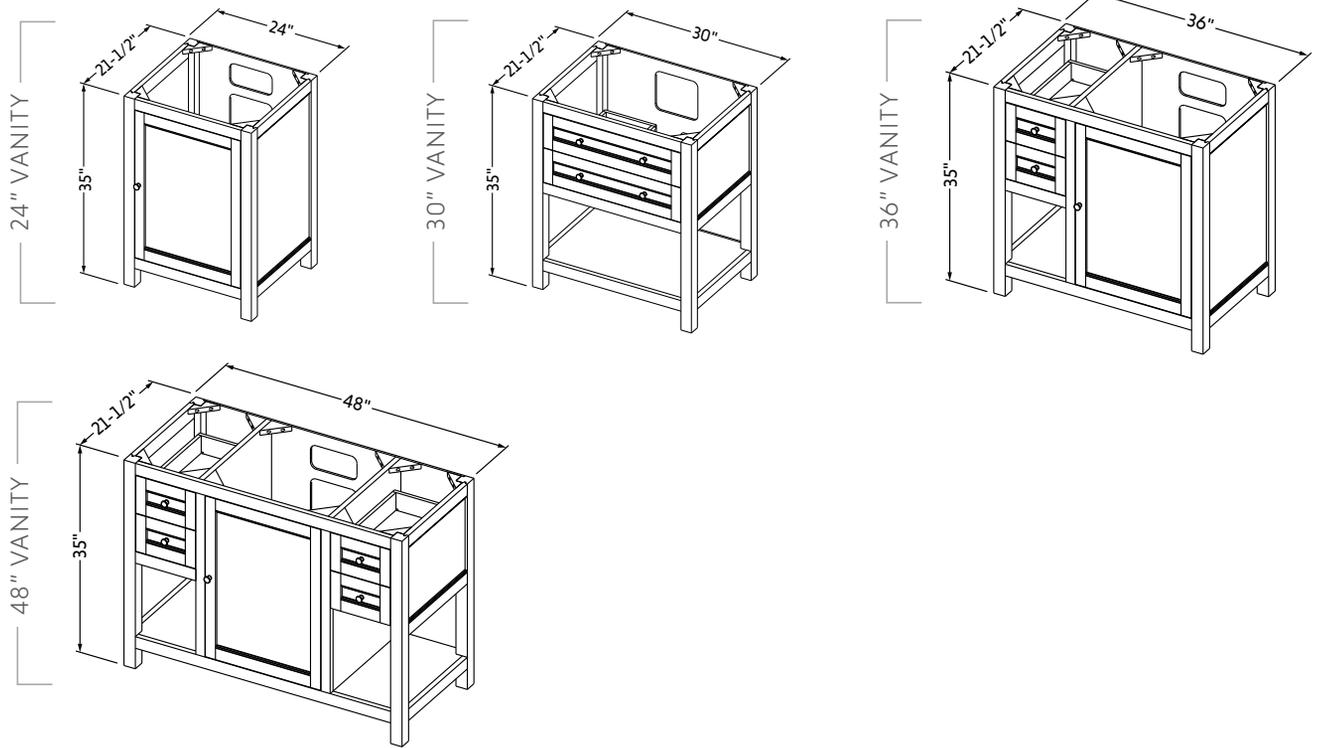
VANITY SPECIFICATIONS - ADDINGTON



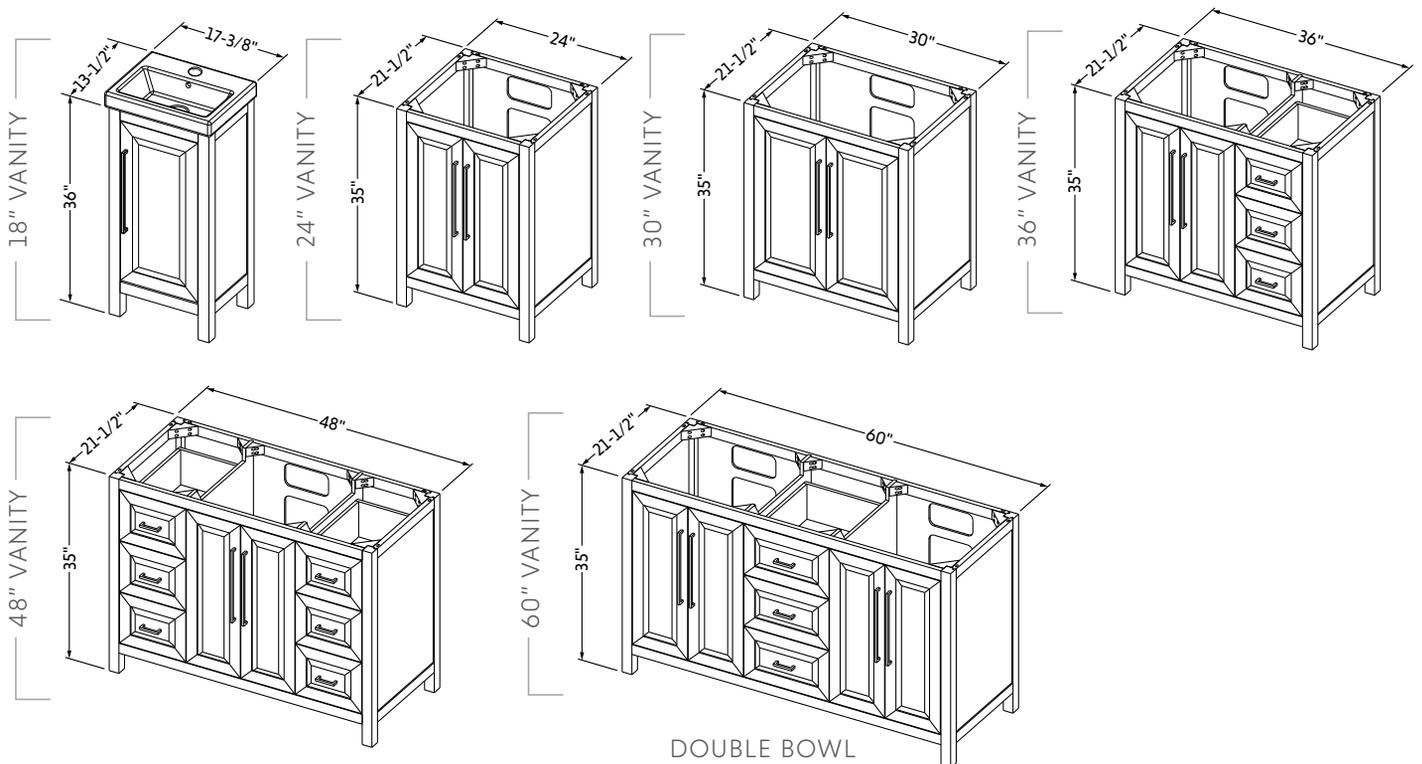
VANITY SPECIFICATIONS - ADLER



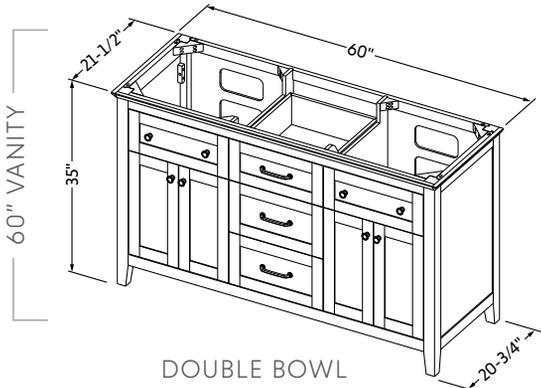
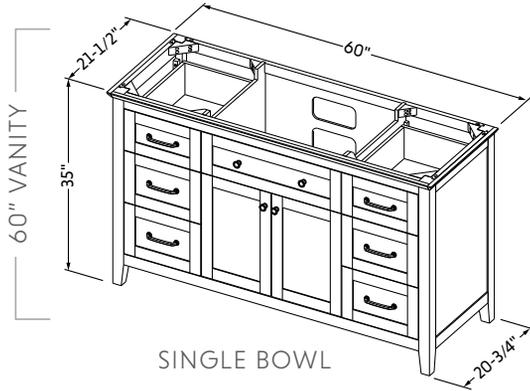
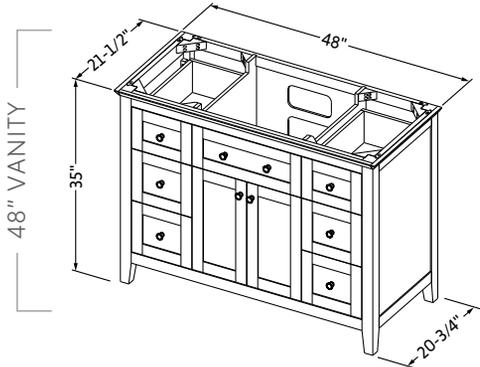
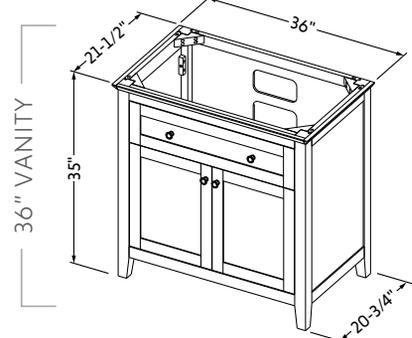
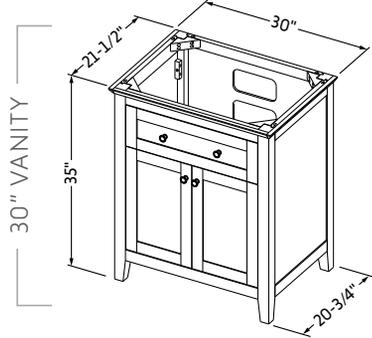
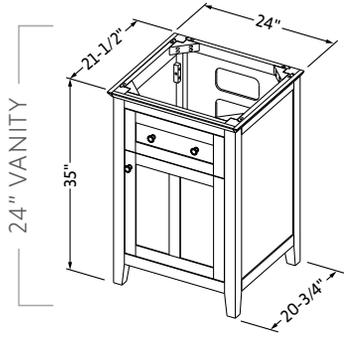
VANITY SPECIFICATIONS - ASTORIA



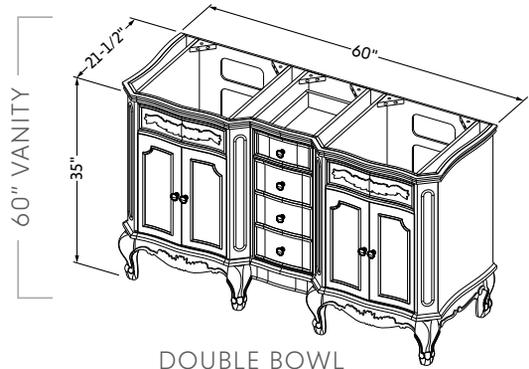
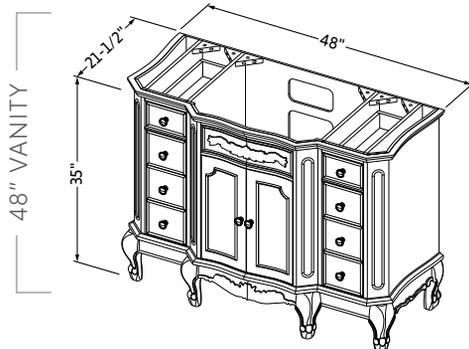
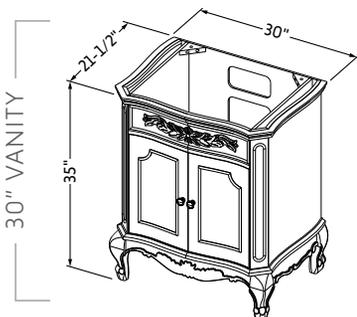
VANITY SPECIFICATIONS - CADE



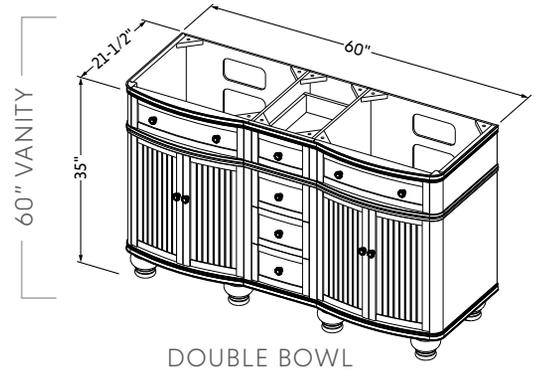
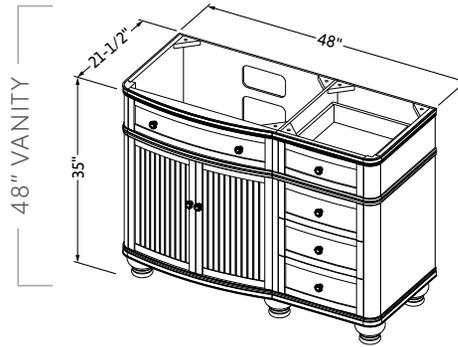
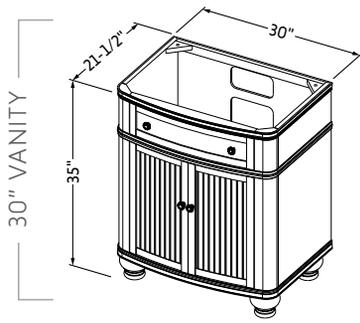
VANITY SPECIFICATIONS - CHATHAM



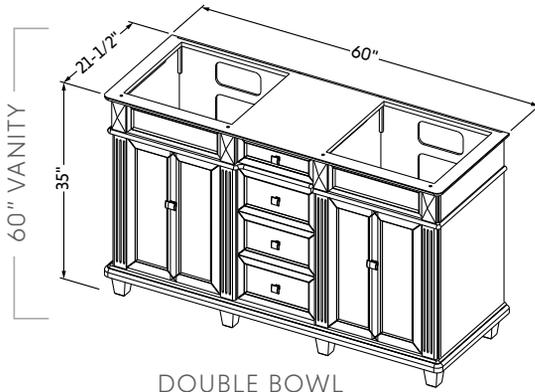
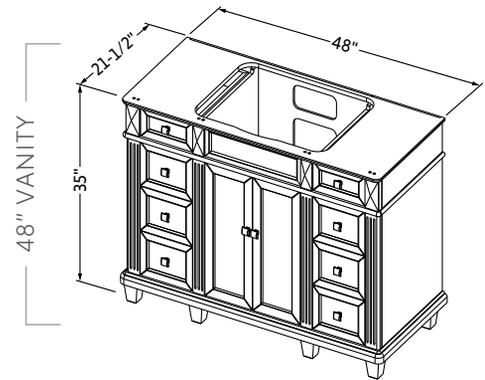
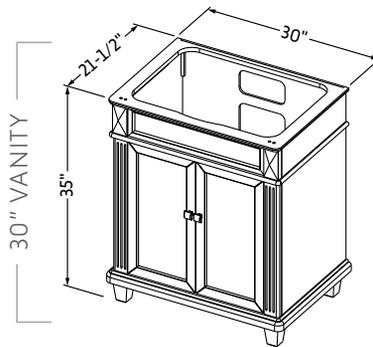
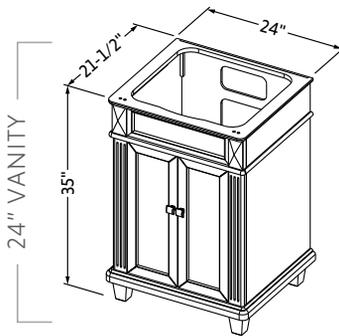
VANITY SPECIFICATIONS - CLAIREMONT



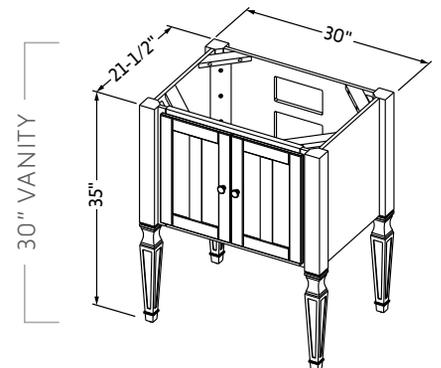
VANITY SPECIFICATIONS - COMPTON



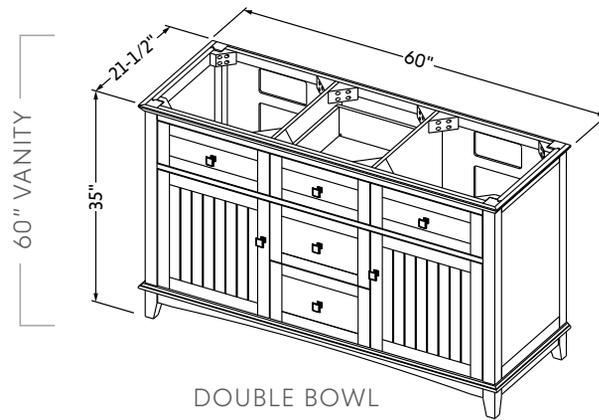
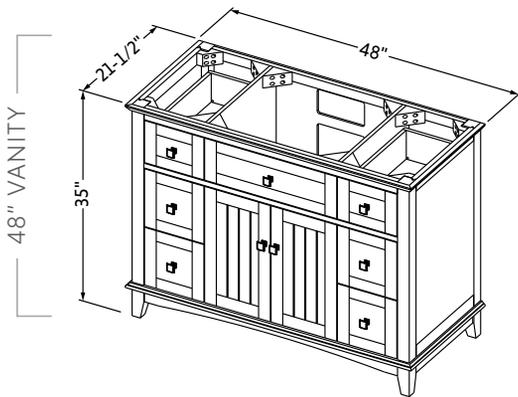
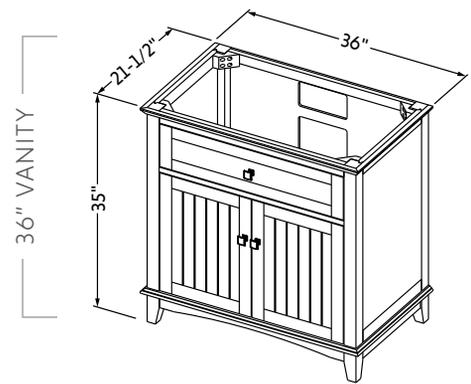
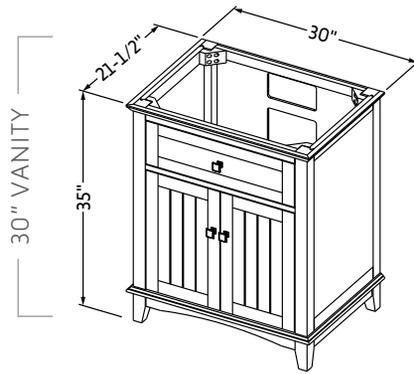
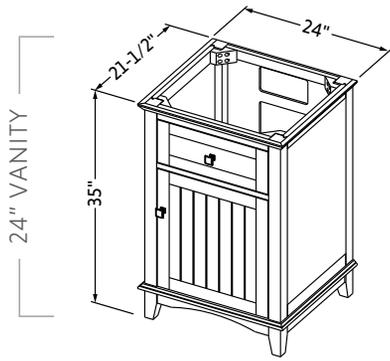
VANITY SPECIFICATIONS - DOUGLAS



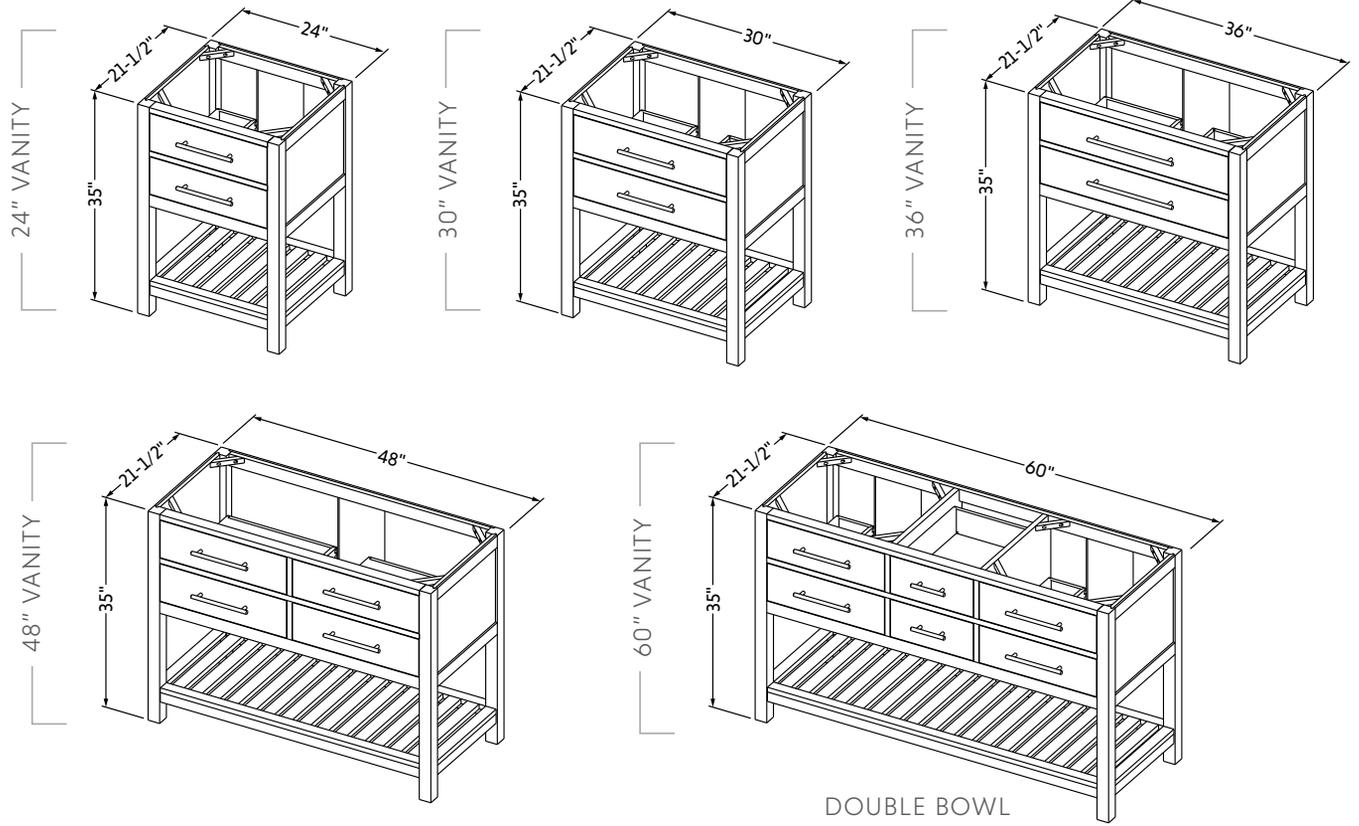
VANITY SPECIFICATIONS JENSEN



VANITY SPECIFICATIONS - SAVINO

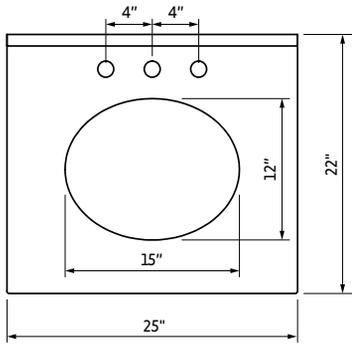


VANITY SPECIFICATIONS - WAVECREST

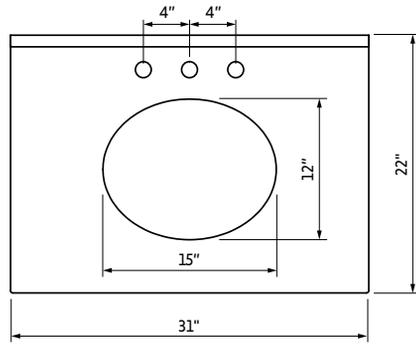


TOP SPECIFICATIONS - OVAL BOWL

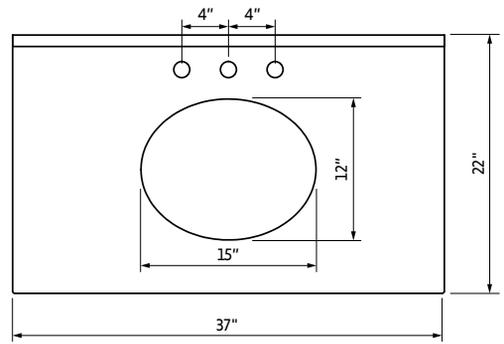
The below vanity tops with oval cutouts fit all of the vanity collections (except Clairemont & Compton).
Special top configurations are marked with asterisks. xx = top material placeholder



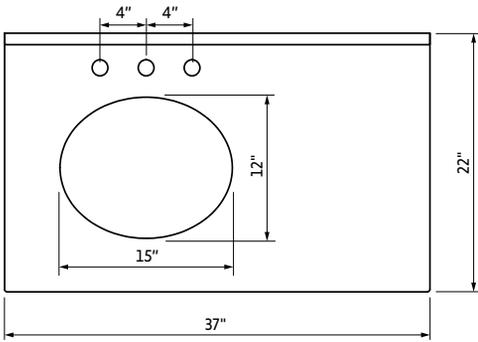
TOPO25xx



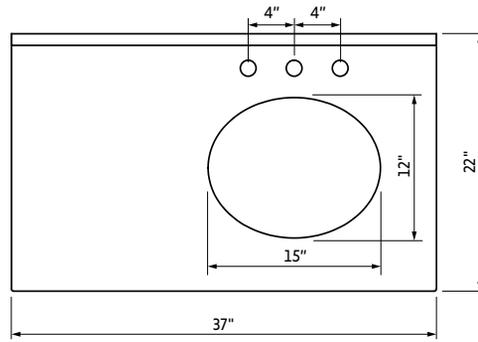
TOPO31xx



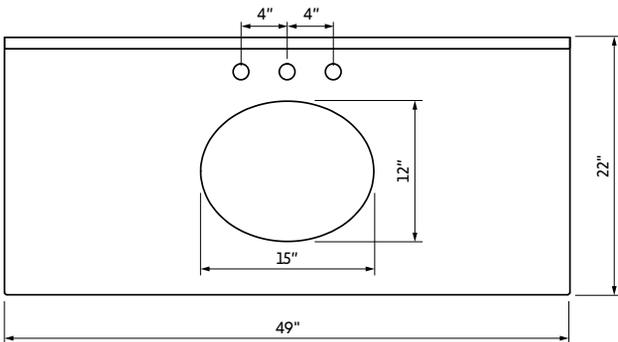
TOPO37xx



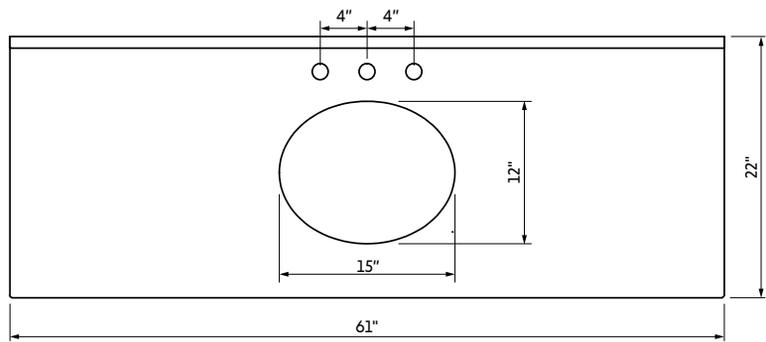
TOPO37xxCAD-ADD*



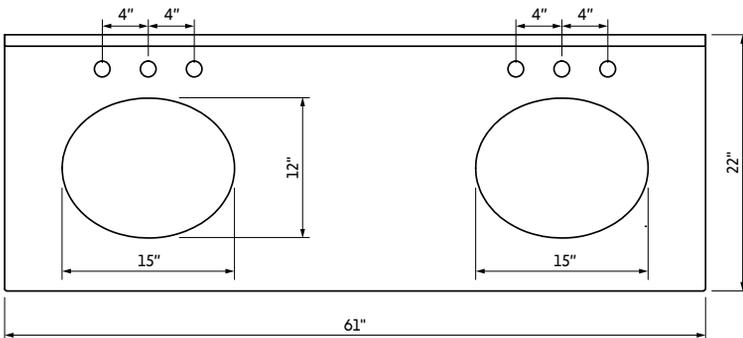
TOPO37xxAST**



TOPO49xx



TOPO61Sxx***

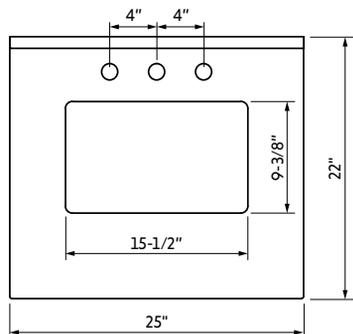


TOPO61xx

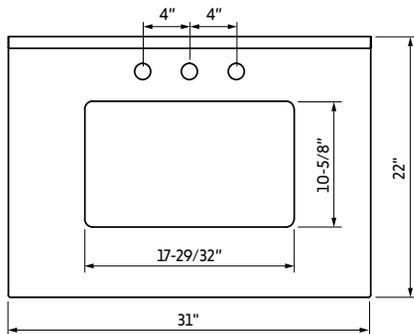
*Fits the 36" Cade and Addington vanities only. **Fits the 36" Astoria vanity only. ***Fits the 60" single bowl vanity only.

TOP SPECIFICATIONS - RECTANGLE BOWL

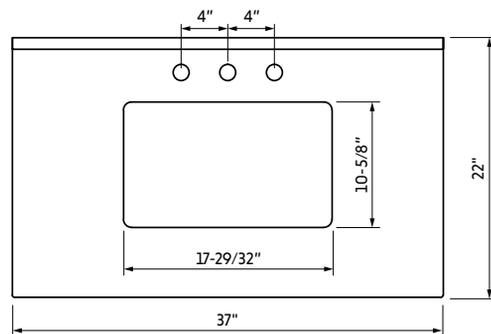
The below vanity tops with rectangle cutouts fit all of the vanity collections (except Clairemont & Compton). Special top configurations are marked with asterisks. xx = top material placeholder



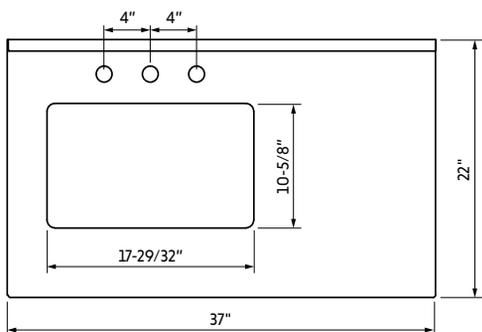
TOPR25xx



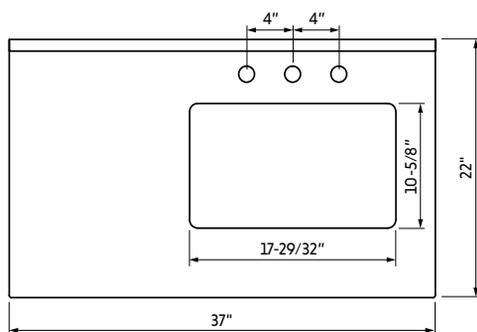
TOPR31xx



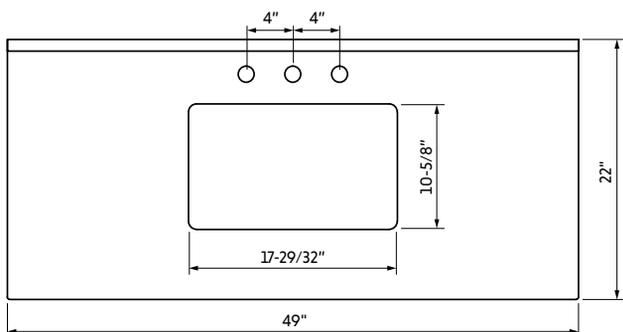
TOPR37xx



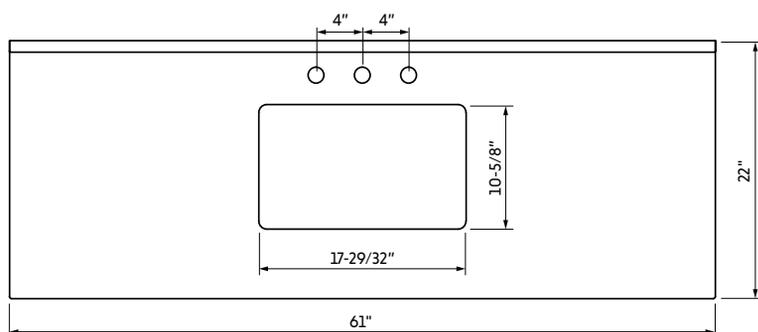
TOPR37xxCAD-ADD*



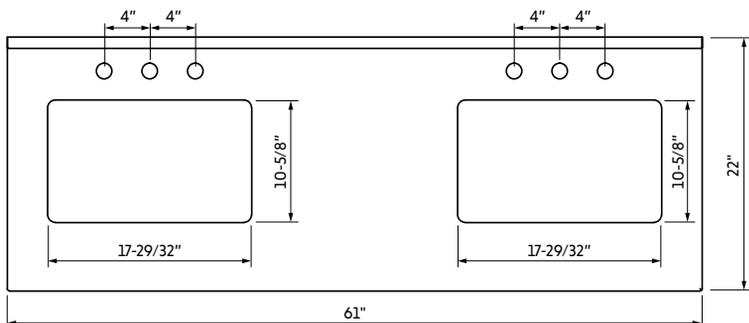
TOPR37xxAST**



TOPR49xx



TOPR61Sxx***



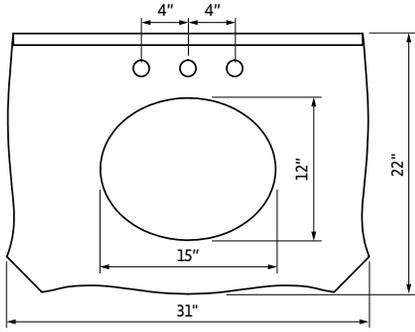
TOPR61xx

*Fits the 36" Cade and Addington vanities only. **Fits the 36" Astoria vanity only. ***Fits the 60" single bowl vanity only.

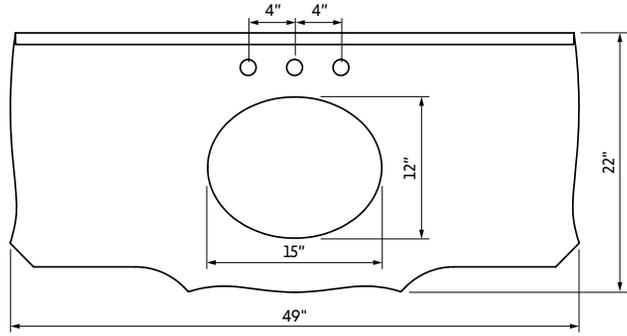
TOP SPECIFICATIONS - OVAL BOWL

The below vanity tops with oval cutouts fit the Clairemont and Compton collections which have custom-shaped tops.
xx = top material placeholder

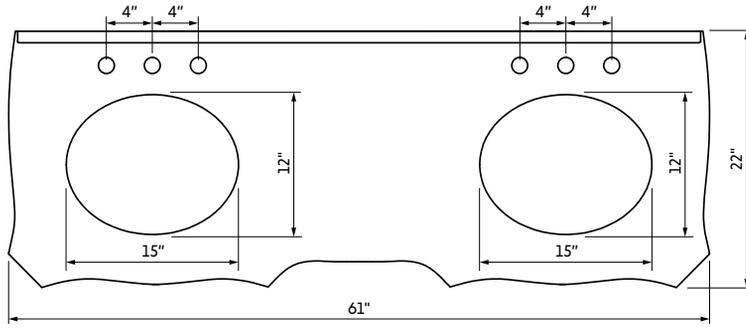
CLAIREMONT



TOPO31xxCLA

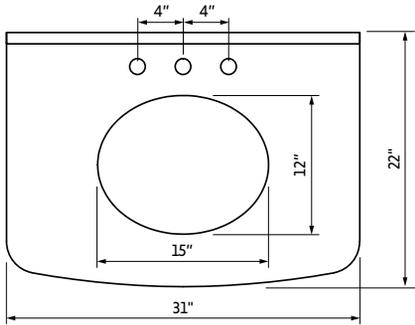


TOPO49xxCLA

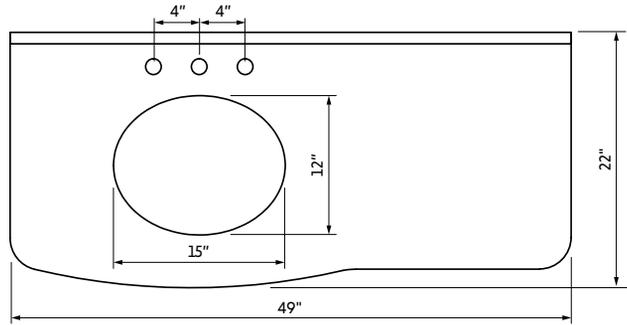


TOPO61xxCLA

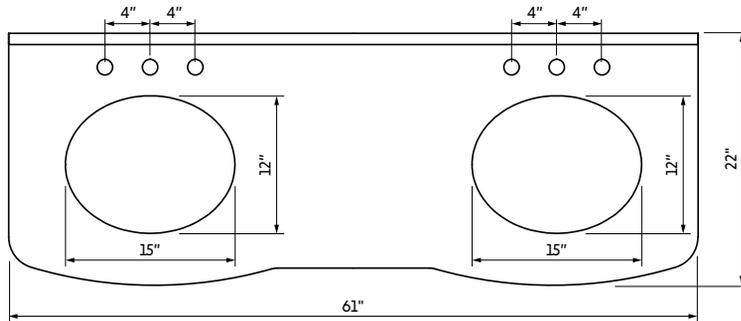
COMPTON



TOPO31xxCOM



TOPO49xxCOM

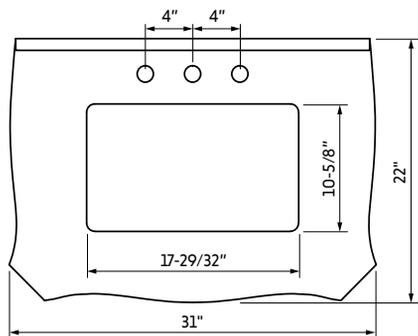


TOPO61xxCOM

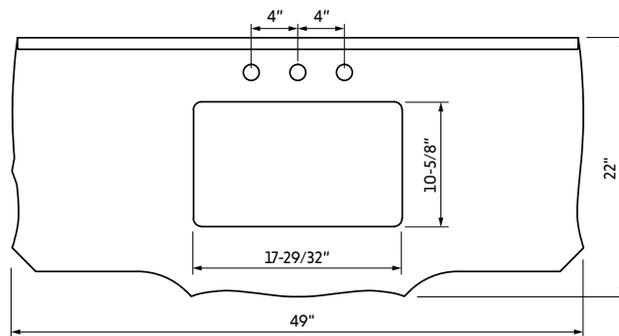
TOP SPECIFICATIONS - RECTANGLE BOWL

The below vanity tops with rectangle cutouts fit the Clairemont and Compton collections which have custom-shaped tops.
xx = top material placeholder

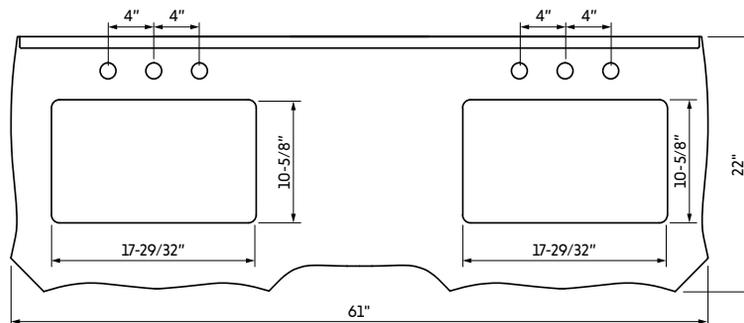
CLAIREMONT



TOPR31xxCLA

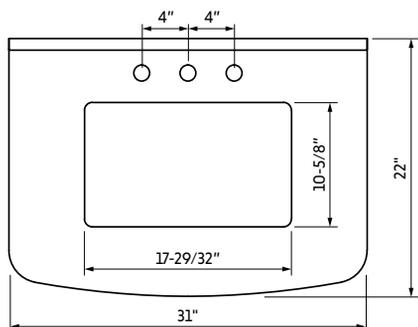


TOPR49xxCLA

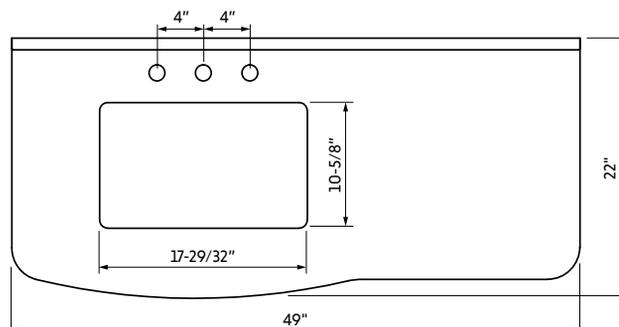


TOPR61xxCLA

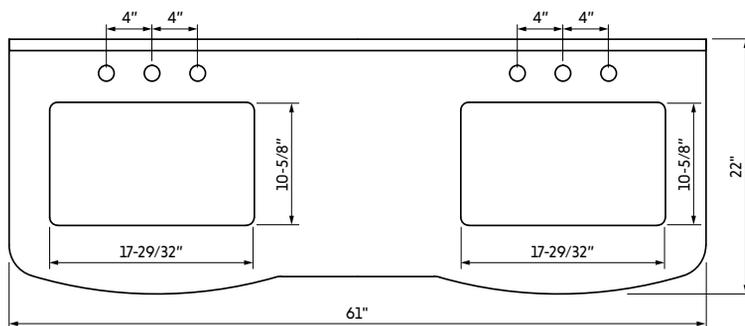
COMPTON



TOPR31xxCOM



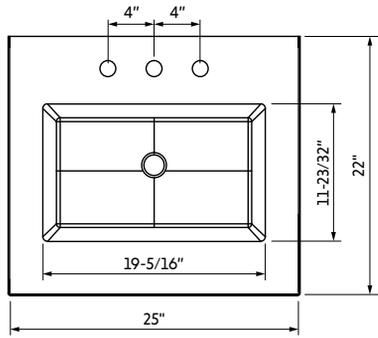
TOPR49xxCOM



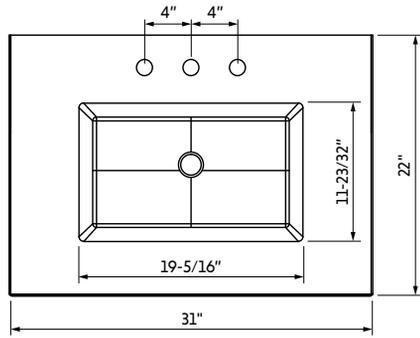
TOPR61xxCOM

TOP SPECIFICATIONS - LAVANTE

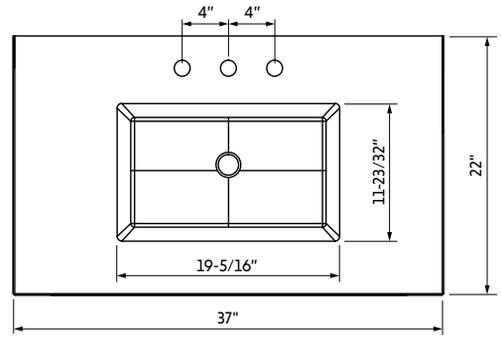
The below vanity tops with integrated rectangle bowl fit all of the vanity collections (except Clairemont & Compton). Special top configurations are marked with asterisks.



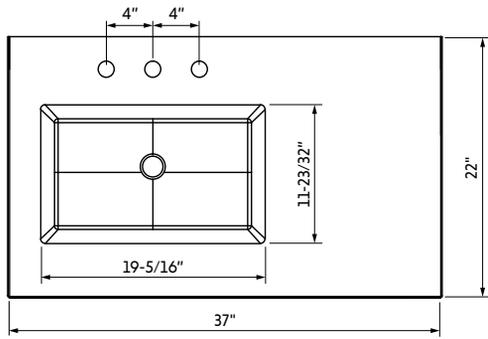
TOPR25LA



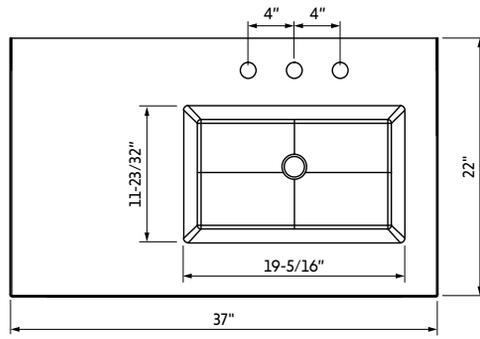
TOPR31LA



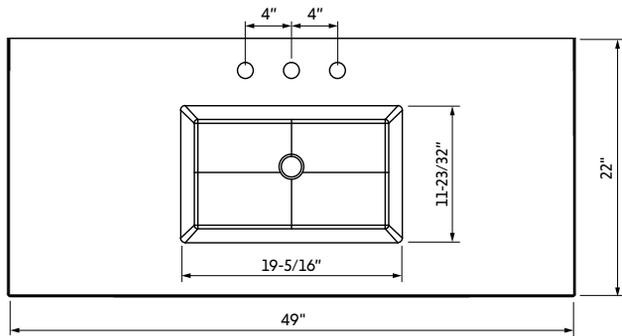
TOPR37LA



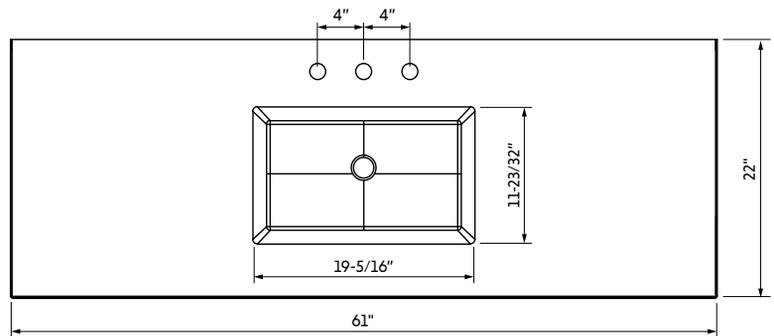
TOPR37LACAD-ADD*



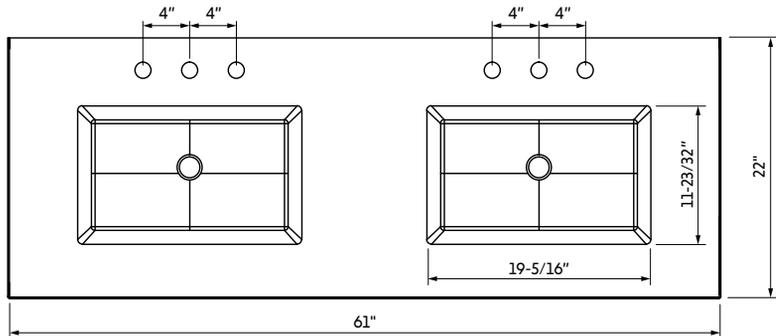
TOPR37LAAST**



TOPR49LA



TOPR61SLA***



TOPR61LA

*Fits the 36" Cade and Addington vanities only. **Fits the 36" Astoria vanity only. ***Fits the 60" single bowl vanity only.



Cade Collection
Vanity: VN2CAD-48-BK-NT | Top: TOPR49AS
Bowl: VN2-RECT-19 | Mirror: MIR2CAD-33-BK

Vanity Top Care Information

Simple care and maintenance will keep your vanity top looking beautiful for generations to come. Wiping off accumulated water will prevent mineral buildup (a whitish, dull residue on the stone), especially around the faucet holes and the bowl.

Top Care for Natural Stone

All natural stone tops are pre-sealed, however we strongly recommend the consumer apply a resin-based penetrating sealer at least every six (6) months. All natural stone is porous, and sealing fills the pores to help prevent staining liquids from penetrating. However, daily care is necessary to maintain the high quality of the stone.

Below are a few helpful care instructions for maintaining your vanity top, whether it is natural stone, engineered or cultured marble, or quartz.

Care Instructions

- Do clean surfaces with mild detergent or stone soap
- Do thoroughly rinse and dry the surface after washing
- Do blot up spills immediately
- Don't use vinegar, lemon juice or other cleaners containing acids on natural stone
- Don't use any oily product on natural stone
- Don't place hot items directly on the stone surface
- Don't place china, ceramics, silver or other abrasive objects directly on the surface as they can scratch the stone
- Don't use cleaners that contain acid such as bathroom cleaners, grout cleaners, or tub and tile cleaners
- Don't use abrasive cleaners such as dry cleansers or soft cleansers
- Don't mix bleach and ammonia; this combination creates a toxic and lethal gas
- Don't use water that exceeds temperatures of 140°F/46°C

Vanity Base and Mirror Frame Care

Before using a cleaner, read the directions on the cleaner bottle to find out whether the cleaner is safe for wood, as well as if you should put the cleaner straight on the item or if it needs to be diluted with water. Use a clean, dry cloth to wipe off the surface of your bathroom vanity or mirror frame before applying a cleaner; this will get rid of hair, dust and other loose powders before you apply the cleaner. Use a cloth or soft sponge while cleaning the vanity or mirror frame to not scratch the finish. After you have applied the cleaner, be sure you rinse off your vanity or mirror frame and dry the surface with a dry towel.

Mirror Care

Use a glass cleaner or vinegar and water mixture.
Apply the mixture on the glass and wipe dry with a dry paper towel or lint-free cloth.

Vanities, Mirrors, Vanity Tops, and Bowls

Hardware Resources believes in quality, integrity, and reliability. We uphold the highest standards of service and responsibility in the industry.

As such, Hardware Resources warrants all vanities, mirrors, vanity tops, bowls, and their components to be free from any defects in material and workmanship as long as the original consumer/purchaser owns the products and if the original consumer purchased the products from an authorized distributor of Hardware Resources. Hardware Resources cannot guarantee the quality or condition of products from distributors who do not agree to meet our high standards, and therefore, no warranty is provided for products from unauthorized sellers.

If a defect is found, Hardware Resources will send to the original purchaser a new replacement product or component at no charge. If a replacement is no longer available, Hardware Resources will offer a product that is comparable to the original product's purchased price or will refund to the original purchaser the current wholesale value of the defective product or component. This warranty is a warranty of replacement only. Hardware Resources specifically does not warrant removal of the product nor installation of replacement new product.

This warranty does not apply when the item has been tampered with, misused, improperly installed, altered from the original design, or damaged through abuse or accident. Finishes for all vanities and mirrors are multi-layered, therefore, variations may occur, which add to the uniqueness of each item.

Natural stone countertops possess naturally occurring characteristics such as variations in grain and color as well as mineral streaks and deposits and are not considered a defect in the product. Cultured marble and quartz countertops are manufactured to resemble natural stone patterns, and as a result, variations in grain and color are not considered a defect in the product. Exact shading or grain of the vanity top cannot be guaranteed.

In the unlikely event that a defective vanity, mirror, vanity top, or component is encountered, please contact Customer Service at 800.463.0660. Please be able to provide a brief description and photographs of the defect.

Kitchen Islands



Kitchen Islands

Installs easily in an existing kitchen

Complements existing kitchen cabinetry. No wiring or plumbing required; place island directly on existing flooring or carpet.

Options for tops

Butcher block tops are available and sold separately for all islands. Edge grain tops are made in the USA using FDA approved food-safe materials providing a safe work surface for food preparation. Islands can be purchased without tops, so that a custom granite or marble top can be added.



Solid furniture style construction

High quality wood materials and furniture style construction. All materials used in Jeffrey Alexander islands meet the strict CARB2 certifications.

Full extension soft-close slides

Each island features upgraded slides. Full extension slides bring the drawer all the way out. Soft-close motion quietly soft-closes the drawers on most models. Hidden undermount slides provide a clean look to drawers (ISL07 and ISL12 units).



Dovetail drawer boxes

1/2" thick solid hardwood material and dovetail joints make a box strong enough to hold anything from dish towels to small kitchen appliances. Drawer box and slides have a 100 lb dynamic load rating.

Rich finishes

Multi-layer hand finishing process creates colors designed to coordinate and contrast with popular kitchen cabinet finishes.

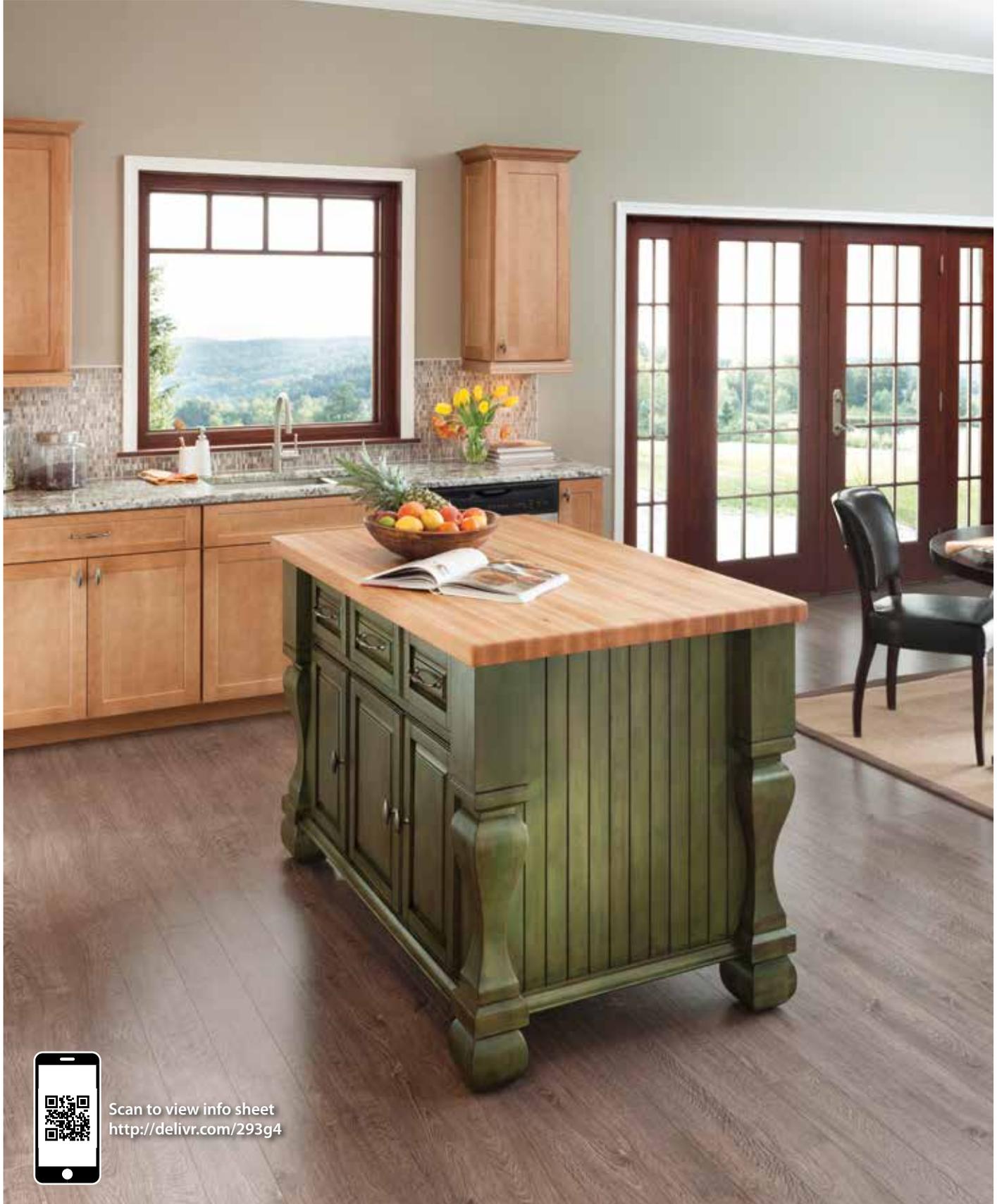


Kitchen Islands

Jeffrey Alexander

Tuscan	ISL01.....	306-307
Contemporary.....	ISL07.....	308-309
Loft	ISL12.....	310-311

Tuscan Island



Scan to view info sheet
<http://delivr.com/293g4>

Tuscan Island

This furniture style island is manufactured using the highest quality furniture grade wood materials. The island features fully adjustable display shelves on one side and three working drawers and cabinets on reverse. Cabinets have one adjustable shelf. The drawers are dovetailed solid hardwood and are mounted on full extension ball bearing slides. Available in five finishes.

- The included decorative hardware can be found in the Jeffrey Alexander Glenmore Collection (item # 618, 718)
- Coordinating wood posts can be found in the Hardware Resources collection (item # P13)
- Finishes are applied by hand
- All materials used meet California CARB2 requirements
- Tops sold separately

ISL01-AQU (Aqua Green)

ISL01-AWH (Antique White)

ISL01-GRY (Grey)

ISL01-DBK (Distressed Black)

ISL01-RED (Brilliant Red)

- Island base only
- 52 5/8" L x 32 3/8" W x 35 1/4" H

ISL01-TOP

- 1 3/4" hard maple edge grain butcher block
- Food safe glues & finishing materials
- 54" L x 34" W
- Made in the USA



Aqua Green



Antique White



Distressed Black



Brilliant Red



Grey



all finishes available without top (sold separately)



front side open



reverse side

Contemporary Island



Scan to view info sheet
<http://delivr.com/2ay66>

Contemporary Island

This furniture style island is manufactured using the highest quality furniture grade wood materials. The island features three working drawers and cabinet storage on both sides and fully adjustable open shelves on one side. Cabinet doors feature modern textured clear glass inserts. The drawers are dovetailed solid hardwood and are mounted on full extension soft-close undermount slides. Available in Black.

- The included decorative hardware can be found in the Jeffrey Alexander Delgado collection (item # 519-128)
- Coordinating posts are available from Hardware Resources (item # P32)
- Finishes are applied by hand
- All materials used meet California CARB2 requirements
- Top sold separately

ISL07-BLK (Black)

- Island base only
- 52 ½" L x 32 ½" W x 35 ½" H

ISL01-TOP

- 1 ¾" hard maple edge grain butcher block
- Food safe glues & finishing materials
- 54" L x 34" W
- Made in the USA



front side



front side open



reverse side



reverse side open



available without top
(sold separately)

Loft Island



Scan to view info sheet
<http://delivr.com/25wu8>

Loft Island

This furniture style island is manufactured using the highest quality furniture grade wood materials. The island features two working drawers and an open cabinet with adjustable shelf on one side and a decorative panel on the reverse side with fully adjustable shelves on both ends. The drawers are dovetailed solid hardwood and are mounted on full extension undermount soft-close slides. Cabinet features integrated soft-close hinges. Available in Aged Black or French White finish.

- The included decorative hardware can be found in the Jeffrey Alexander Sonoma Collection (item # 431)
- Coordinating wood posts can be found in the Hardware Resources collection (item # P34)
- Finishes are applied by hand
- All materials used meet California CARB2 requirements
- Top sold separately



Aged Black



reverse side



French White



reverse side

ISL12-AGB (Aged Black)

ISL12-FWH (French White)

- Island base only
- 34" L x 22"W x 34 1/4"H

ISL10-TOP

- 1 3/4" hard maple edge grain butcher block
- Food safe glues & finishing materials
- 36" L x 24"W
- Made in the USA



all finishes available without top (sold separately)



front side open

Island Base Care

Before using a cleaner, read the directions on the cleaner bottle to find out whether the cleaner is safe for wood, as well as if you should put the cleaner straight on the item or if it needs to be diluted with water. Use a clean, dry cloth to wipe off the surface of your bathroom vanity or mirror frame before applying a cleaner; this will get rid of hair, dust and other loose powders before you apply the cleaner. Use a cloth or soft sponge while cleaning the vanity or mirror frame to not scratch the finish. After you have applied the cleaner, be sure you rinse off your vanity or mirror frame and dry the surface with a dry towel.

Butcher Block Top Care

Simple care and maintenance will keep your butcher block top looking beautiful for generations to come. All Butcher Block products must be oiled on all surfaces with a natural mineral oil at least once a month to protect the wood. With a minimum amount of care and maintenance on your Hard Maple Butcher Block, you can lengthen the life of the top from 5 to 10 years.

DO:

Periodically (once every several weeks), depending upon use and household conditions, apply a heavy coat of mineral oil to the work surface of your top.

DO NOT:

1. Wash knives and forks or other utensils on the work surface of your top.
2. Wash your top with harsh detergents of any type.
3. Place counter tops near excessive heat (such as stove) without proper insulation between heat source and the edge of the counter top.
4. Cut off ends, drill holes, make cutouts or otherwise deface tops...without refinishing exposed unfinished wood. Guarantee is void if tops are modified.

Cleaning your Butcher Block top:

1. Brush or scrape all loose particles from the surfaces.
2. Take a dishcloth and dip in warm mild soapy water and wash top the same as any other wood surface.
3. Wash out dishcloth in clear warm water, wring out, and go over surface again.
4. Dry all surfaces thoroughly.
5. An occasional application of mineral oil is recommended.

If any method, other than the one outlined above, is used in cleaning this top, very serious damage may result.

Other considerations:

Extremes of humidity and dryness can swell and shrink hard maple enough to cause small seasonal checks to appear, usually at the ends of tops or at the end of a lamination. This possibility, though remote, is an unavoidable condition of enjoying the character and beauty of Hard Maple Butcher Block. Cracks filled with tinted cellulose filler become practically invisible. You can help preserve your table by keeping your home humidified in the winter and by refreshing your table often with oil.

Hardware Resources may at its own discretion and without notice change the specifications, color, or design of any product in our catalog as well as discontinue any product in our range. **Measurements shown in this catalog have a tolerance of +/- 1/8".**

Hardware Resources believes in quality, integrity, and reliability. We uphold the highest standards of service and responsibility in the industry.

As such, Hardware Resources warrants all islands, butcher block tops, and their components to be free from any defects in material and workmanship as long as the original consumer purchaser owns the products and if the original consumer purchased the products from an authorized distributor of Hardware Resources.

Hardware Resources cannot guarantee the quality or condition of products from distributors who do not agree to meet our high standards, and therefore, no warranty is provided for products from unauthorized sellers.

If a defect is found, Hardware Resources will send to the original purchaser a new replacement product or component at no charge. If a replacement is no longer available, Hardware Resources will offer a product that is comparable to the original product's purchased price or will refund to the original purchaser the current wholesale value of the defective product or component. This warranty is a warranty of replacement only. Hardware Resources specifically does not warrant removal of the product nor installation of replacement new product.

This warranty does not apply when the item has been tampered with, misused, improperly installed, altered from the original design, or damaged through abuse or accident. Finishes for all vanities, mirrors, and islands are multi-layered, therefore, variations may occur, which add to the uniqueness of each item.

Butcher Block tops are manufactured of natural wood, and Hardware Resources cannot guarantee exact shading or grain of the wood. Naturally occurring characteristics such as variations in grain and/or color are not considered a defect in the product.

In the unlikely event that a defective island, butcher block top, or component is encountered, please contact Customer Service at 800.463.0660. Please be able to provide a brief description and photographs of the defect.

