



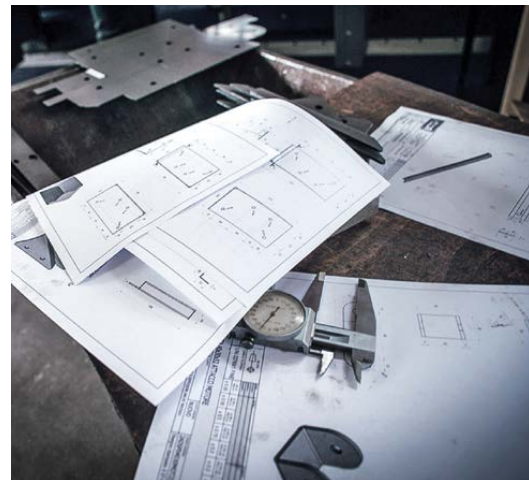
CATALOG

LIVING THE INVISIBLE

INDEX

ILCA

1. Company Profile
2. Ghost Beds.....
3. Ghost Sofa Beds
4. Ghost Table Beds.....
5. Voila Table
6. Opla Standing Beds.....
7. Storage Beds
8. Storage Beds.....





ABOUT

1.

LIVING THE INVISIBLE

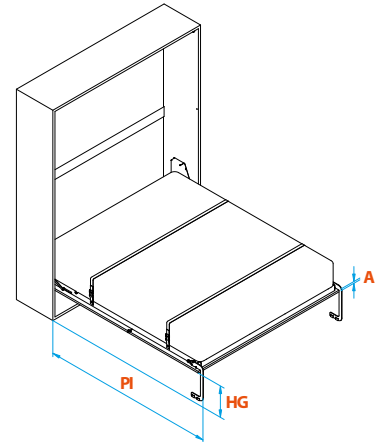
PROFESSIONAL

Ilca has been producing bed bases and systems integrated into furniture since 1977. One of the aspects that characterize us is the ability to constantly evolve and improve. The way we manage resources and organize work allows us to differentiate the offer, responding in a targeted way to the specific requests of different sectors. Among our most important achievements there is the proven reliability that the experts recognize to our products, a result obtained thanks to the commitment of a close-knit staff, a goal ready to become in turn the starting point towards new objectives of improvement and growth whose horizon is the world.

2. GHOST BEDS



Ghost space saving solution for vertical beds. The synchronized legs are retractable and open automatically with a shockproof PVC fitting toecap. The movement mechanism is controlled by suitable gas springs.

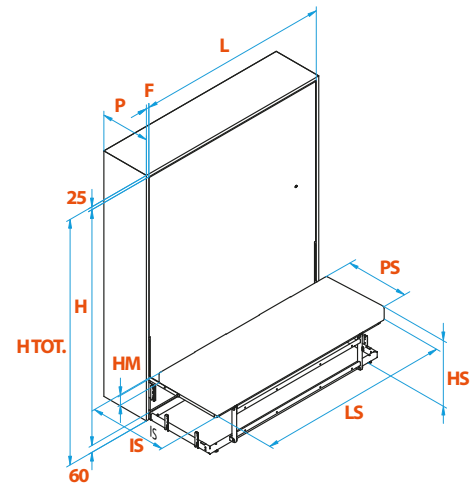


*Available in Manual or Electric Opening

GHOST SOFA BEDS 3.

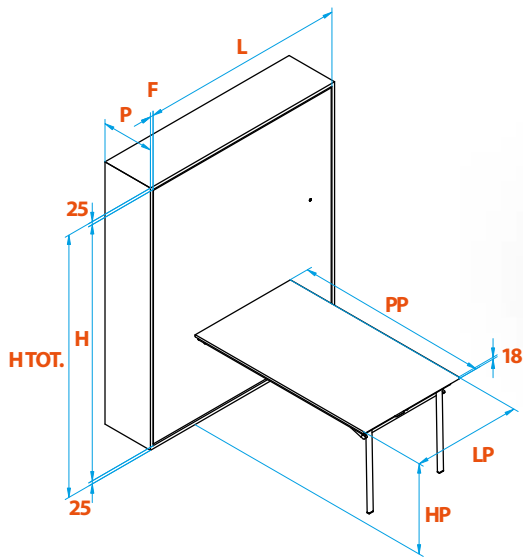


Ghost Sofa space saving solution for vertical beds. The door is smooth and can be made with reduced dimensions. The synchronized legs are retractable and open automatically with a shockproof PVC fitting toecap. The movement mechanism is controlled by suitable gas springs.



4. GHOST TABLE BEDS

Ghost Table space saving solution for vertical beds. The mesh will not need any additional processing for the installation of the table. The synchronized legs are retractable and open automatically with a shockproof PVC fitting toecap. The movement mechanism is controlled by suitable gas springs. The security lock is mandatory.



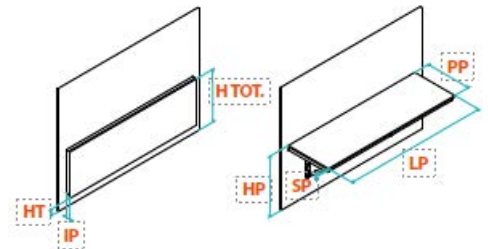
*Table purchased separately

VOILA TABLE 5.

Voila Table space saving table solution for horizontal and vertical beds. Space saving table system with wallet mechanism that can be used for all horizontal and vertical beds thanks to a system of levers. The mechanism is designed to prevent accidental self-closing.

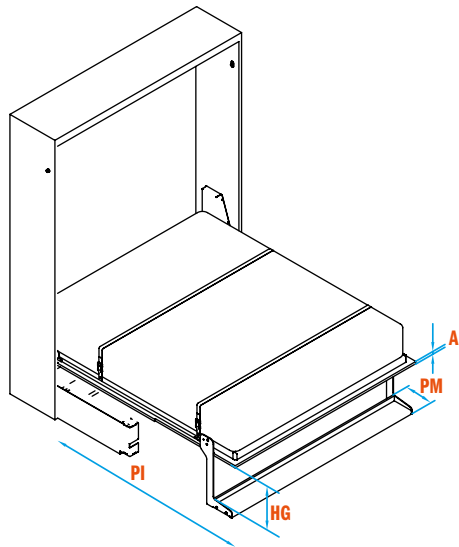


MEASUREMENTS	
LP	1350mm
HP	750mm
PP	570mm
SP	18mm
IP	67mm
H TOT	719mm
HT	149mm



6. OPLA STANDING BEDS

Opla Standing space saving solution for vertical beds. The door is smooth and worked for the application of the sofa. It is designed for the construction of a storage compartment under the sofa. The support leg is also used as a shelf support that maintains the position parallel to the floor.



STORAGE BEDS

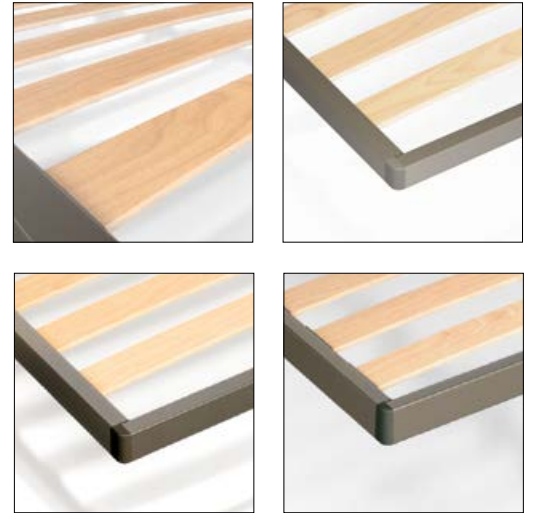
7.

Wing Standard Bed. System with internal storage and double bed base with 45° opening. Available with curved frame or frame with polyethylene rounded corners. Slat base. On bed bases ranging from 1010 to 1380 mm wide, slat thickness may vary. Custom Made.



8. STORAGE BEDS

Handy Beds Frame with 40x30 mm profile with polyethylene rounded corners. On bed bases ranging from 1010 to 1380 mm wide, slat thickness may vary. 50x25 mm profile with polyethylene rounded corners or cut and folded construction.







510 Garyray Drive, North York ON M9L 1R1 | 1 800 668 7636
8181 Rue Edison, Anjou QC H1J 1S9 | 1 800 361 8969
118 E 8th St, Watsonstown, PA 17777, USA | 1 800 668 7636

